



US00D923402S

(12) **United States Design Patent** (10) **Patent No.:** **US D923,402 S**  
**Gulati** (45) **Date of Patent:** **\*\* Jun. 29, 2021**

(54) **COOKING CRADLE**

(71) Applicant: **Karan Singh Gulati**, Somerset, NJ (US)

(72) Inventor: **Karan Singh Gulati**, Somerset, NJ (US)

(\*\*) Term: **15 Years**

(21) Appl. No.: **29/679,938**

(22) Filed: **Feb. 12, 2019**

(51) **LOC (13) Cl.** ..... **07-99**

(52) **U.S. Cl.**  
USPC ..... **D7/409; D7/402**

(58) **Field of Classification Search**

USPC ..... D6/523, 546, 550, 518-522, 566, 683; D34/35, 39; D23/303; D30/133; D4/122, 125, 199; D32/3, 25, 39; D8/300, 303, 315; D15/79, 85, 89; D21/523, 524, 525; D3/304, 306, 315; D9/434, 435, 456, 455; D7/323, 328, D7/330, 332, 335-337, 354, 355, D7/359-364, 387, 390, 393, 394, 395, D7/402, 407, 408, 409, 381, 383  
CPC .. B65F 1/125; B65F 1/06; B65F 1/068; B65F 1/141; B65F 1/1646; B65F 1/16; B65F 2210/1026; B65F 2210/13; B65F 2210/132; B65F 2210/146; B65F 2210/181; B65F 2210/136; A45F 2005/025; A45F 2005/027; A47K 2010/3253; A47K 2010/3233; A47K 10/22; A47K 10/3836; A47K 10/16; A47K 10/3812; A01K 5/00; A21B 2/00; A21B 3/00; A21B 3/13; A21B 3/15; A23N 12/08; A23N 12/10; A47J 27/04; A47J 37/04; A47J 37/041; A47J 37/00; A47J 37/042; A47J 37/06; A47J 37/0688; A47J 37/1295; F24C 15/10; F24C 15/12; F24C 15/14; F24C 15/16; F24C 15/168; F24C 15/18

See application file for complete search history.

(56) **References Cited**

U.S. PATENT DOCUMENTS

540,852 A \* 6/1895 Cheney ..... A47J 27/04  
126/369  
2,052,505 A \* 8/1936 Vetrosky ..... A47J 43/18  
99/419  
3,079,119 A \* 2/1963 Brooks ..... B65F 1/141  
248/146  
D224,613 S \* 8/1972 Shaw ..... D6/523  
3,788,583 A \* 1/1974 Byrd ..... B65F 1/141  
248/146

(Continued)

OTHER PUBLICATIONS

10 Best Wok Rings: Announced Mar. 22, 2019 [online]. Site Visited [Oct. 5, 2020]. Available from Internet URL: <https://www.nomlist.com/best-wok-rings/>.\*

(Continued)

*Primary Examiner* — Catherine S Posthauer  
(74) *Attorney, Agent, or Firm* — Scarinci Hollenbeck, LLC; Libby Babu Varghese

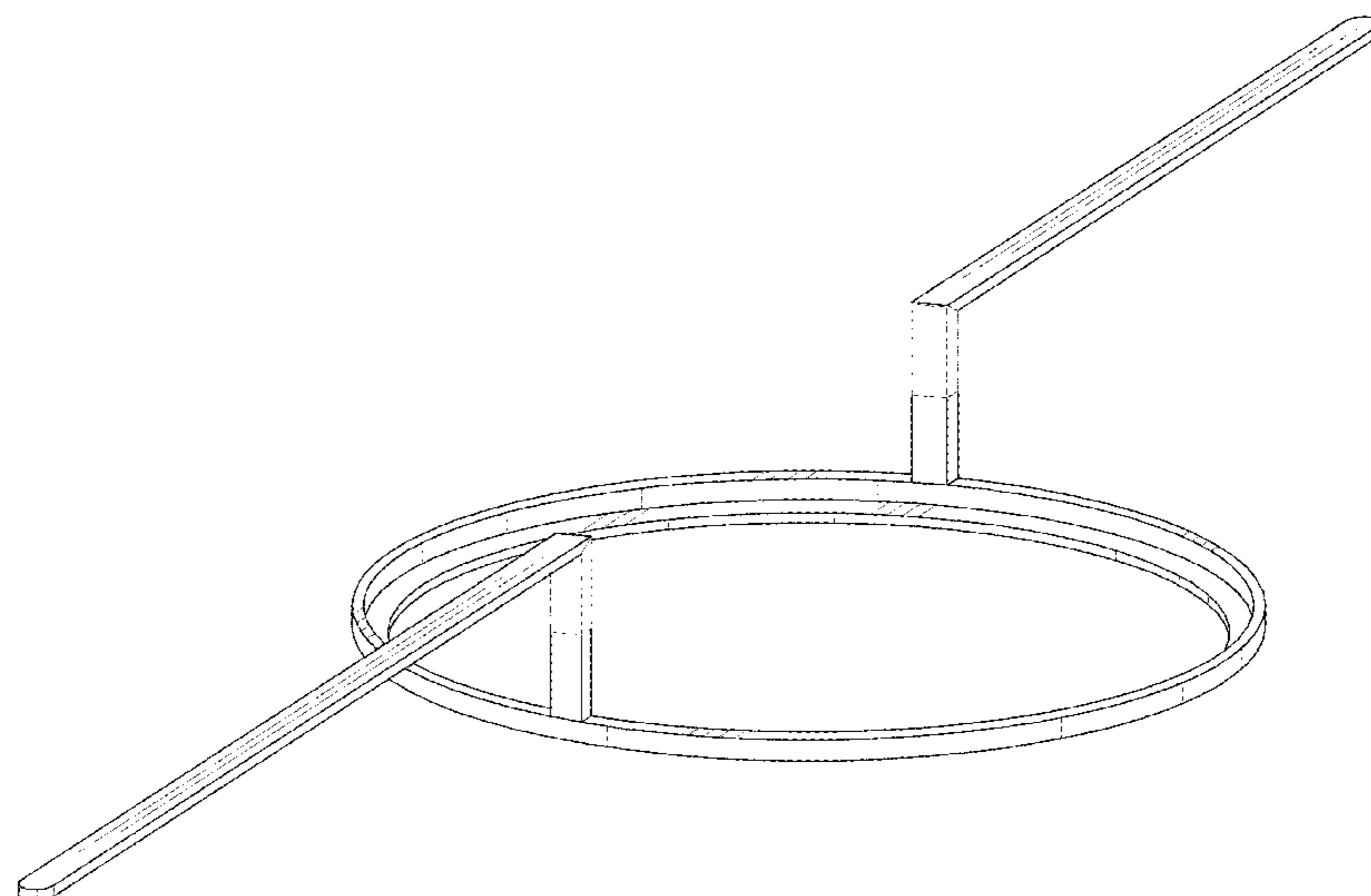
(57) **CLAIM**

The ornamental design for a cooking cradle, as shown and described.

**DESCRIPTION**

FIG. 1 is a perspective view of my new design;  
FIG. 2 is a top view thereof;  
FIG. 3 is a bottom view thereof;  
FIG. 4 is a front view thereof;  
FIG. 5 is a rear view thereof;  
FIG. 6 is a left end view thereof; and,  
FIG. 7 is a right end view thereof.  
The evenly broken lines represent parts of the article. The dot-dash lines represent the boundaries of the claim. None of the broken lines form part of the claimed design.

**1 Claim, 6 Drawing Sheets**



(56)

References Cited

U.S. PATENT DOCUMENTS

3,908,535 A \* 9/1975 Gordon ..... A47J 36/20  
99/426  
D251,579 S \* 4/1979 Calgaro ..... D6/566  
D259,967 S \* 7/1981 Ramsey ..... D30/133  
D271,831 S \* 12/1983 McGain ..... D6/566  
D302,756 S \* 8/1989 Trine ..... D30/133  
D375,819 S \* 11/1996 Benson ..... D30/133  
D378,149 S \* 2/1997 Mann ..... D30/133  
D392,487 S \* 3/1998 Cambron ..... D6/566  
D421,160 S \* 2/2000 Akopdjanov ..... D30/133  
D442,341 S \* 5/2001 Morgan ..... D30/133  
6,698,335 B1 \* 3/2004 Bourgeois ..... A47J 27/04  
126/30  
D489,263 S \* 5/2004 Sinanian ..... D9/455  
D500,429 S \* 1/2005 Schmidt ..... D7/394  
D553,432 S \* 10/2007 Lin ..... D7/409  
D554,927 S \* 11/2007 Smith ..... D6/513  
D577,256 S \* 9/2008 Schutte ..... D7/409  
D682,485 S \* 5/2013 Wygle ..... D30/133  
D722,250 S \* 2/2015 Borovicka ..... D7/409  
D725,962 S \* 4/2015 Marzotto ..... D7/387

D734,094 S \* 7/2015 Vogds ..... D7/409  
D755,012 S \* 5/2016 Zemel ..... D7/409  
D778,635 S \* 2/2017 Pan ..... D6/566  
D811,161 S \* 2/2018 Boroski ..... D7/394  
D822,435 S \* 7/2018 George ..... D7/409  
10,351,338 B1 \* 7/2019 Tyle ..... B65F 1/141  
10,384,868 B1 \* 8/2019 Pouloupoulos ..... F16M 11/26  
D878,076 S \* 3/2020 Xayoiphonh ..... D6/521  
D878,860 S \* 3/2020 Halasinski ..... D7/409  
D886,486 S \* 6/2020 Ripoll ..... D6/403  
D887,091 S \* 6/2020 Patel ..... D30/133  
D894,630 S \* 9/2020 Gee, II ..... D6/521  
2016/0192804 A1 \* 7/2016 Mesmer ..... A47J 27/56  
99/410  
2018/0242617 A1 \* 8/2018 Popeil ..... A23L 13/55

OTHER PUBLICATIONS

Slide In Range Wok Ring Accessory: Site Visited [Oct. 5, 2020]  
(online). Available from Internet URL ://www.homedepot.com/p/  
Bosch-Slide-In-Range-Wok-Ring-Accessory-HEZ298102/  
304828746.\*

\* cited by examiner

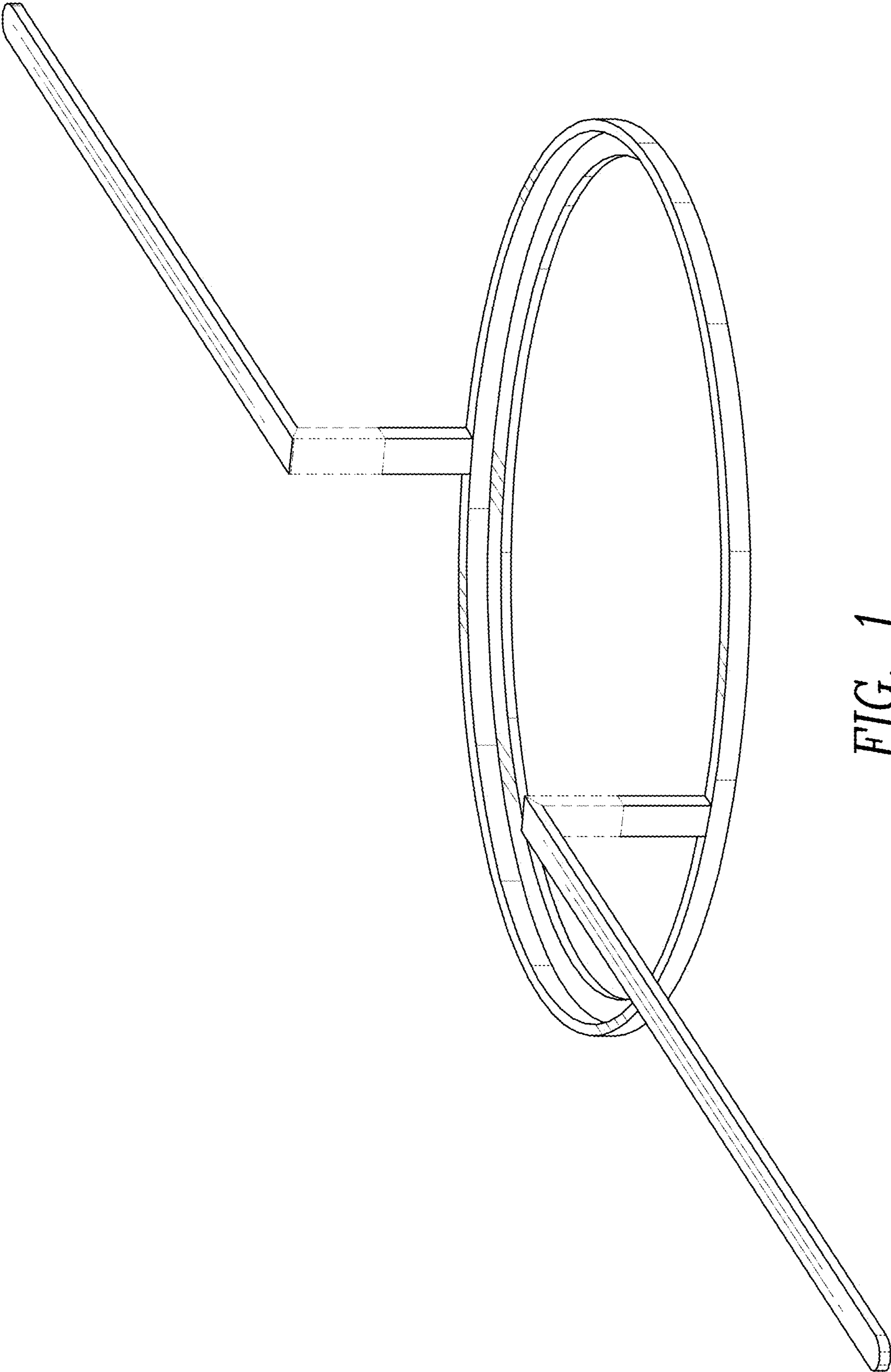


FIG. 1

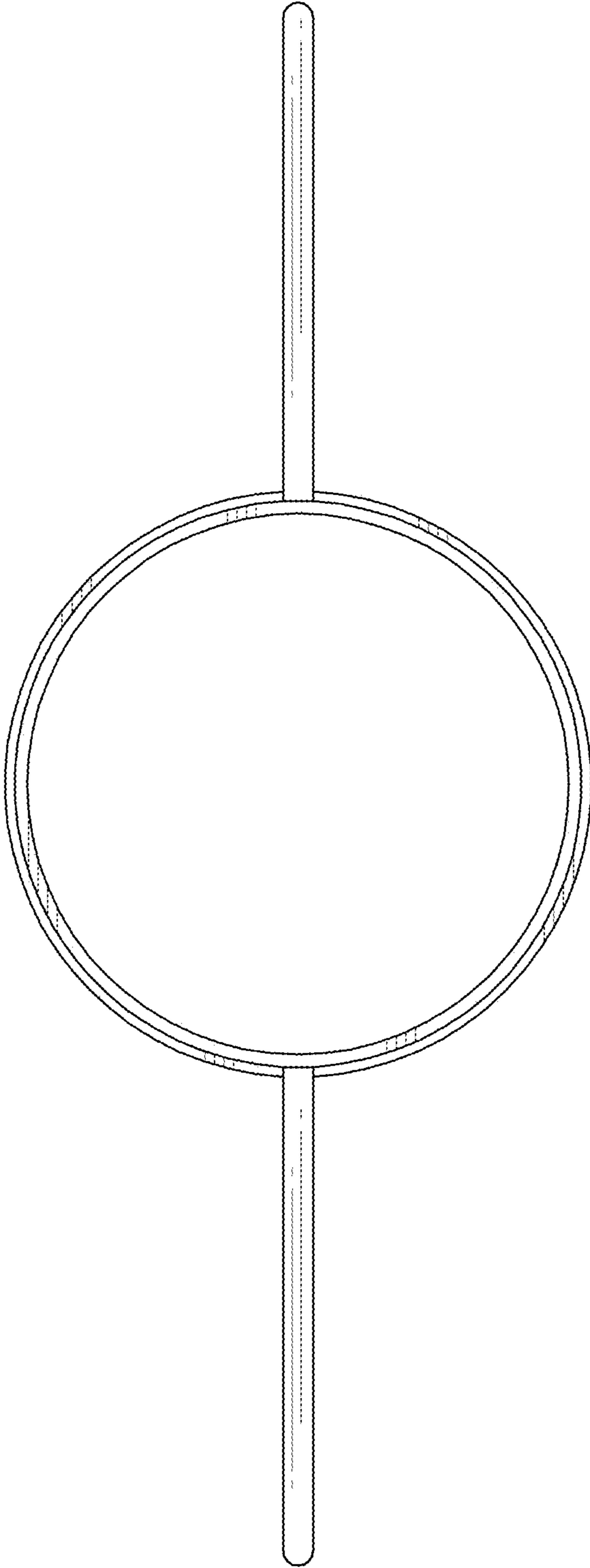


FIG. 2

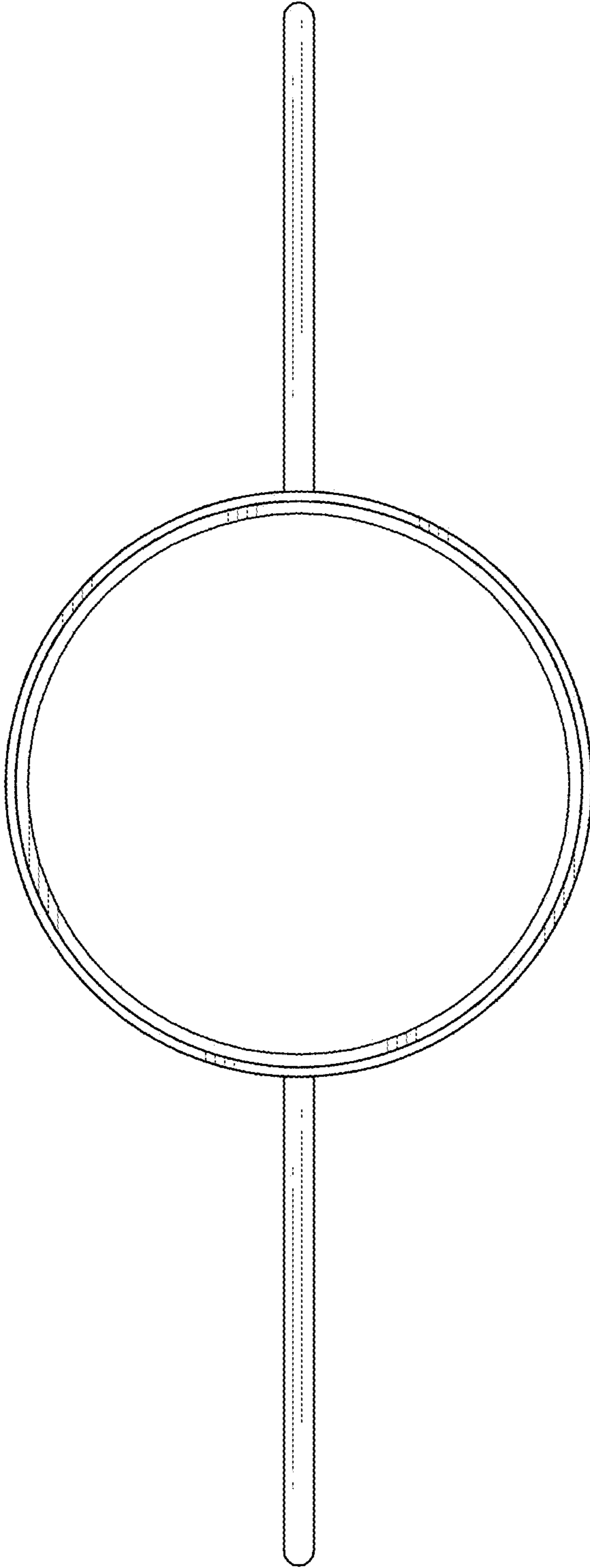
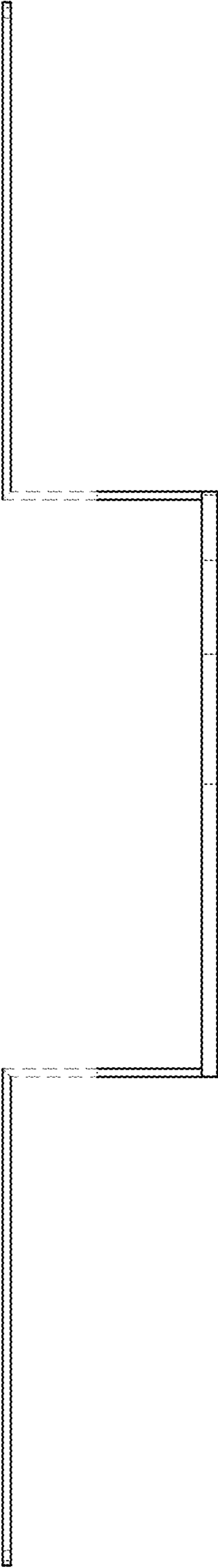
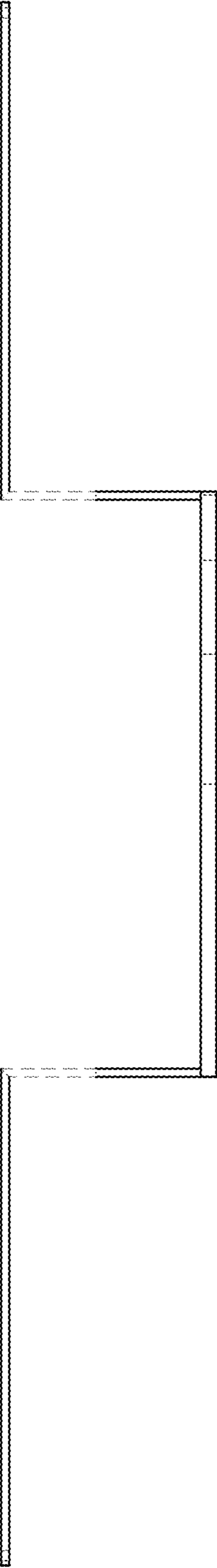


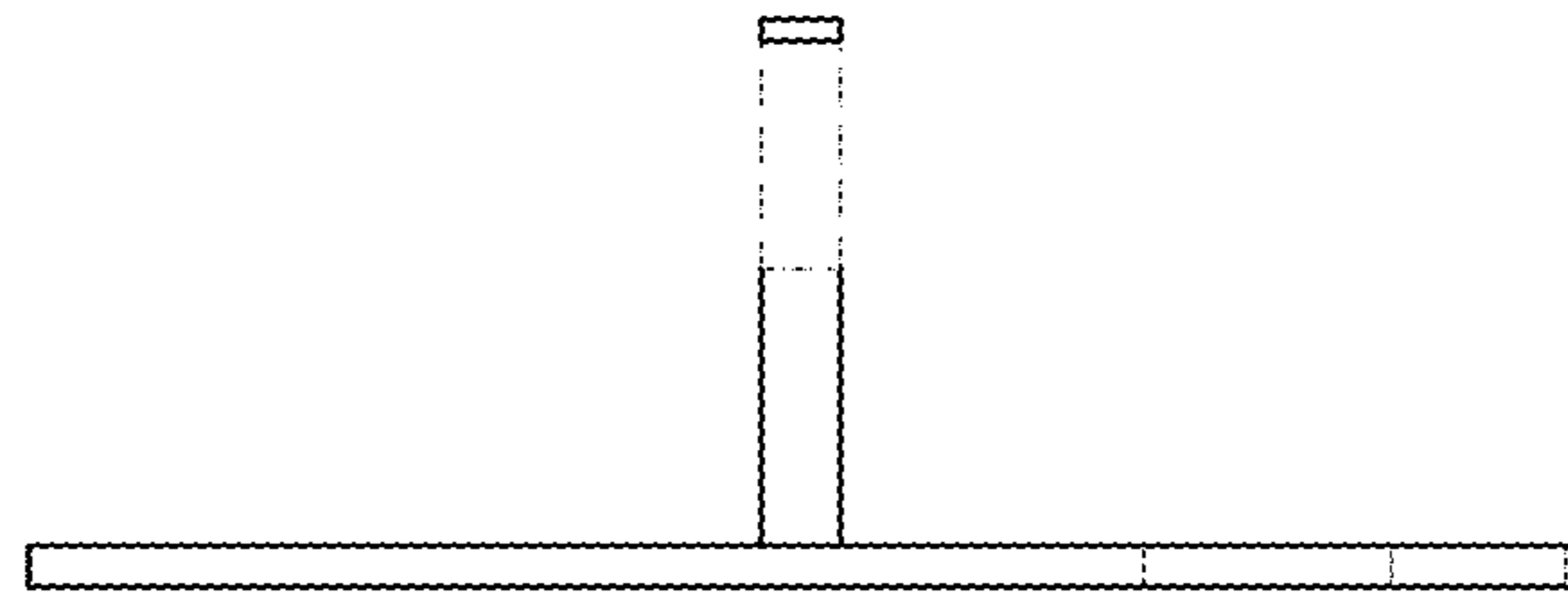
FIG. 3



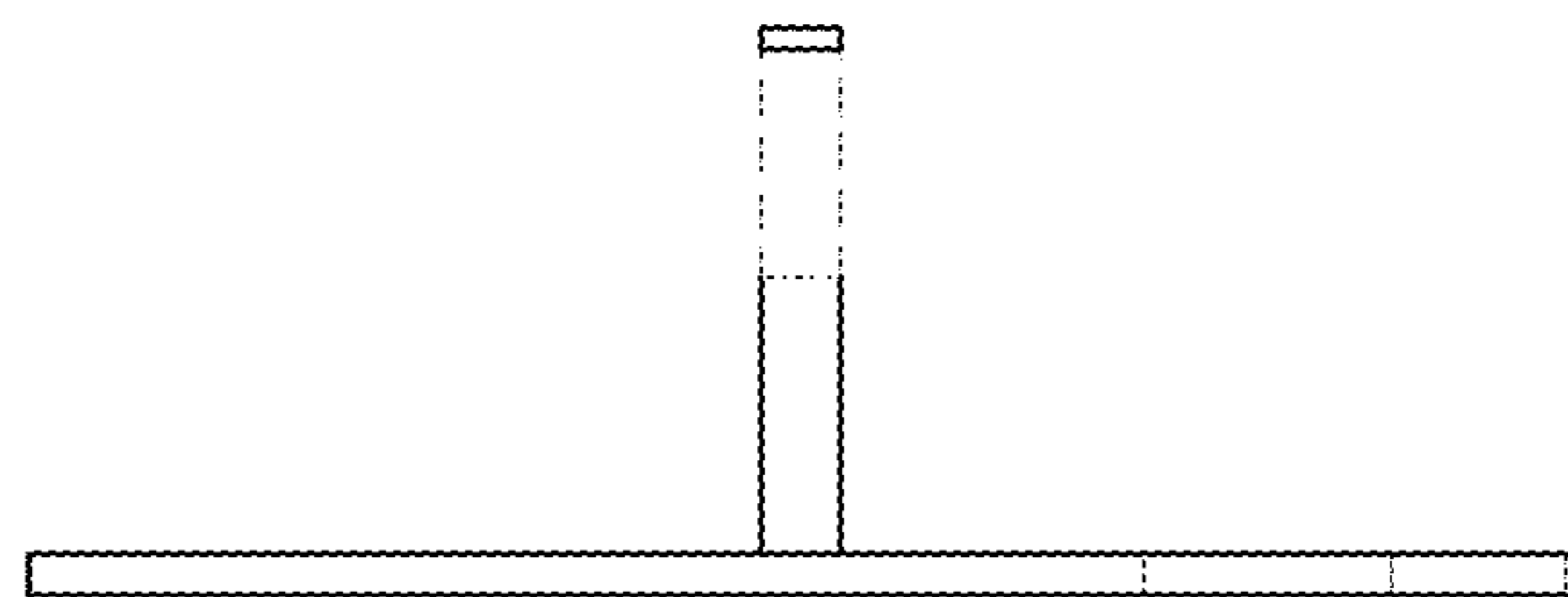
*FIG. 4*



*FIG. 5*



*FIG. 6*



*FIG. 7*