



US00D923401S

(12) **United States Design Patent**
Eftink

(10) **Patent No.:** **US D923,401 S**

(45) **Date of Patent:** **** Jun. 29, 2021**

- (54) **BARBEQUE GRILL ACCESSORY**
- (71) Applicant: **Ryan D Eftink**, Cape Girardeau, MO (US)
- (72) Inventor: **Ryan D Eftink**, Cape Girardeau, MO (US)
- (73) Assignee: **Smokin Brothers, Inc**, Sikeston, MO (US)
- (**) Term: **15 Years**
- (21) Appl. No.: **29/651,915**
- (22) Filed: **Jun. 24, 2019**
- (51) **LOC (13) Cl.** **07-02**
- (52) **U.S. Cl.**
USPC **D7/407**
- (58) **Field of Classification Search**
USPC D7/332-337, 362, 363, 402, 403, 409, D7/407, 408; 126/25 R, 9 R; D8/396; D26/138; D25/199, 119; D23/386
CPC A47J 37/0704; A47J 37/0786; A47J 37/0763; A47J 37/0694; A47J 37/0795; A47J 2037/0777; A47J 33/00; F24B 1/202; F24B 1/205; F24B 1/207; F24C 1/16
See application file for complete search history.

- D377,682 S * 1/1997 Schlosser D23/386
- D404,610 S * 1/1999 Bessette D7/402
- 6,205,996 B1 * 3/2001 Ryan A47J 37/0786
126/39 K
- D474,371 S * 5/2003 Lor D7/402
- D489,209 S * 5/2004 Goldberg D25/119
- D490,167 S * 5/2004 Eichner D25/119

(Continued)

OTHER PUBLICATIONS

Nord Outdoor Power Corp, All New Heat Wave Accessory by Smokin Brothers is here, Jun. 14, 2019, Youtube, <https://www.youtube.com/watch?v=AIEkBAAnrIrg> (Year: 2019).*

(Continued)

Primary Examiner — Brett Miller

(74) *Attorney, Agent, or Firm* — Paul M Denk

(57) **CLAIM**

The ornamental design for the barbeque grill accessory, as shown and described.

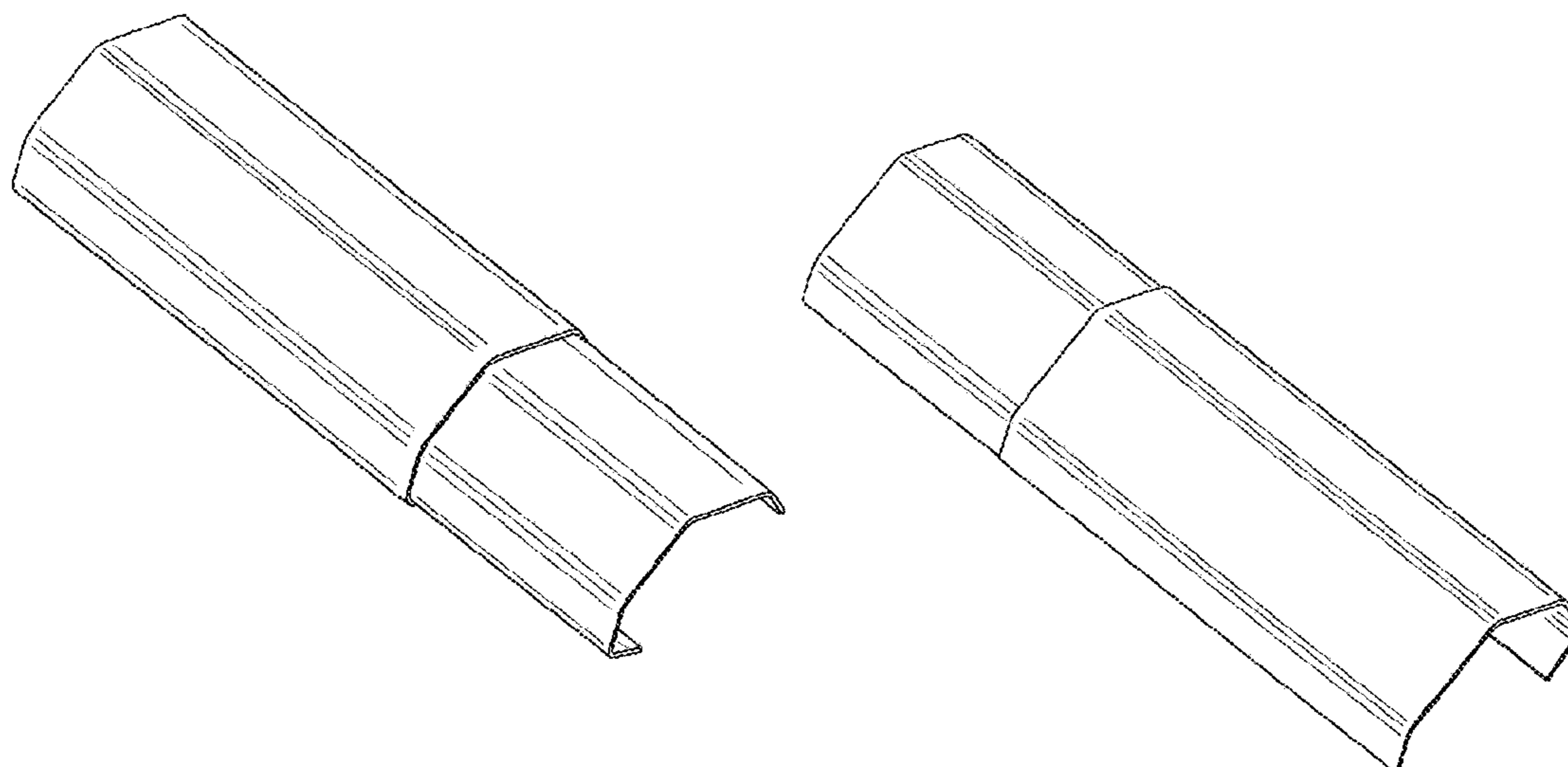
DESCRIPTION

FIG. 1 is an isometric view of the barbeque grill accessory of this invention, showing the usage of a pair of them in combination with a barbeque grill, disclosed in hidden lines; FIG. 2 is a front isometric view of the barbeque grill accessory of this invention; FIG. 3 is a rear isometric view of the barbeque grill accessory, respectively; FIG. 4 is a front view thereof; FIG. 5 is a back view thereof; FIG. 6 is a right end view; FIG. 7 is a left end view; FIG. 8 is a top view; and, FIG. 9 is a bottom view. The broken lines depict environment and form no part of the claimed design.

1 Claim, 3 Drawing Sheets

(56) **References Cited**
U.S. PATENT DOCUMENTS

- D141,051 S * 5/1945 Ketchum D25/119
- D239,364 S * 3/1976 Mooney D8/396
- D241,396 S * 9/1976 Copeland D25/119
- D300,566 S * 4/1989 Fein D25/119
- D341,508 S * 11/1993 Cooper D25/119
- 5,301,826 A * 4/1994 Sandahl F24C 7/00
126/151
- D351,760 S * 10/1994 Frank D7/402
- D360,038 S * 7/1995 Bancroft D25/119
- 5,438,974 A * 8/1995 Maldonado F24C 15/36
D7/402



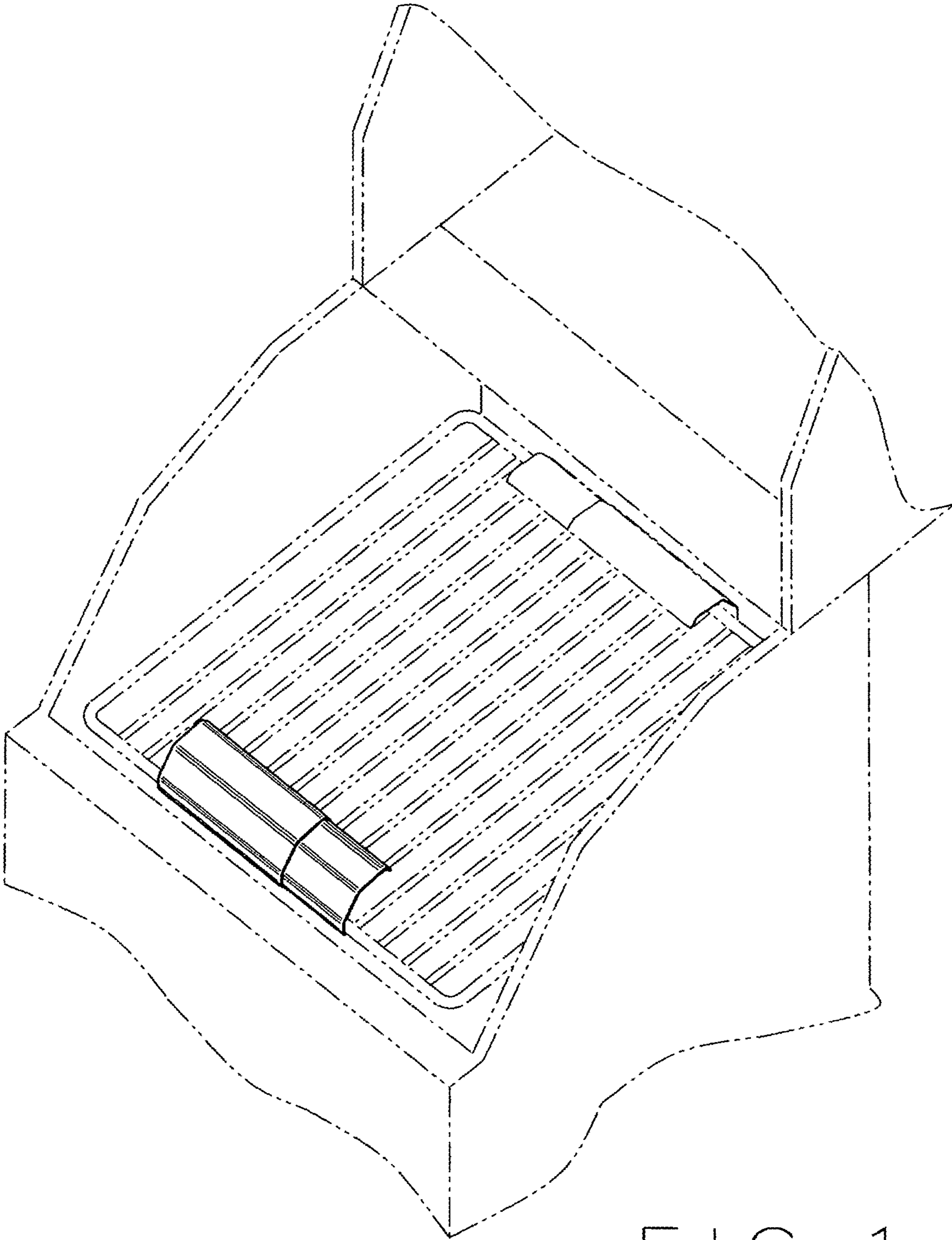


FIG. 1

FIG. 2

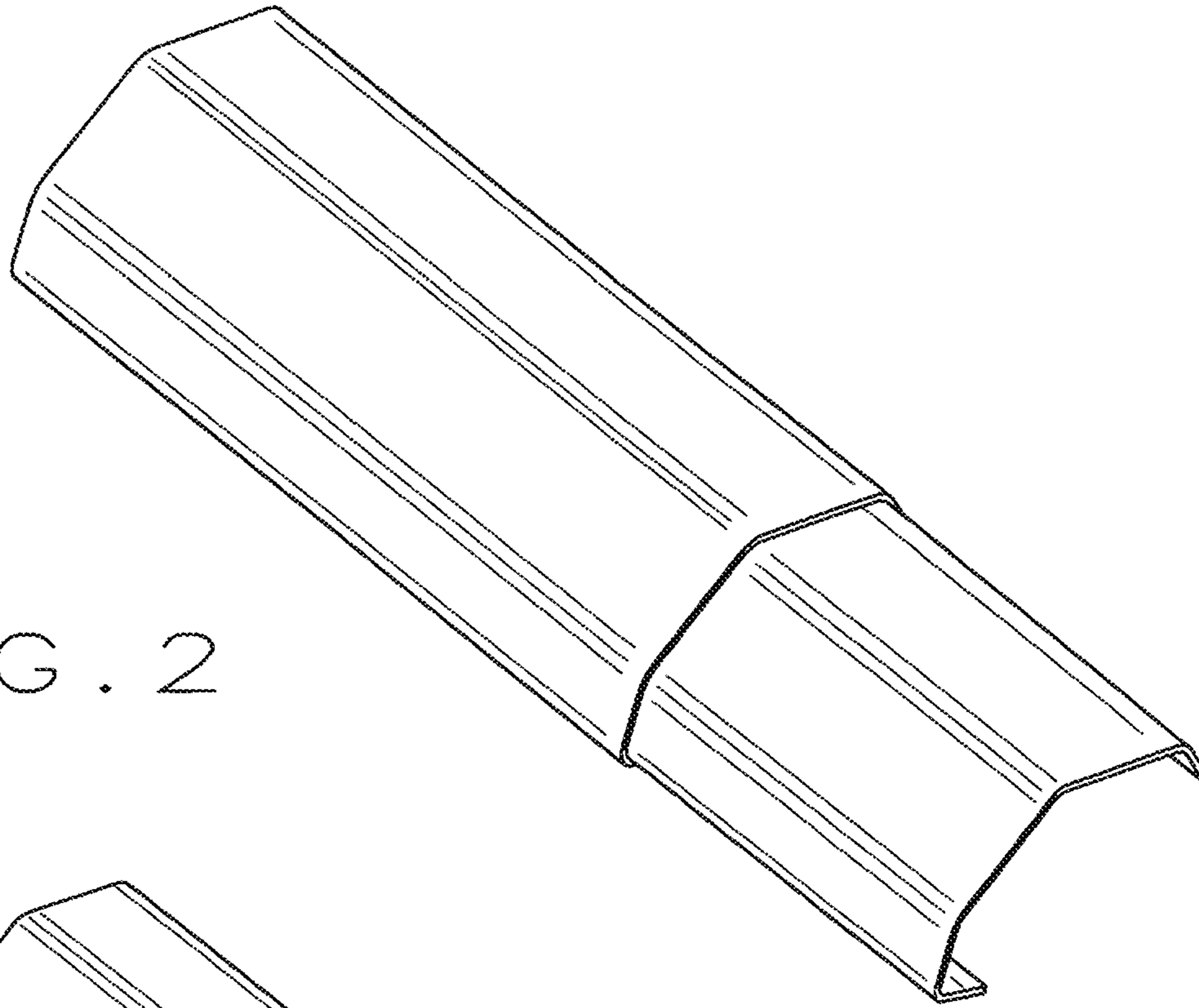
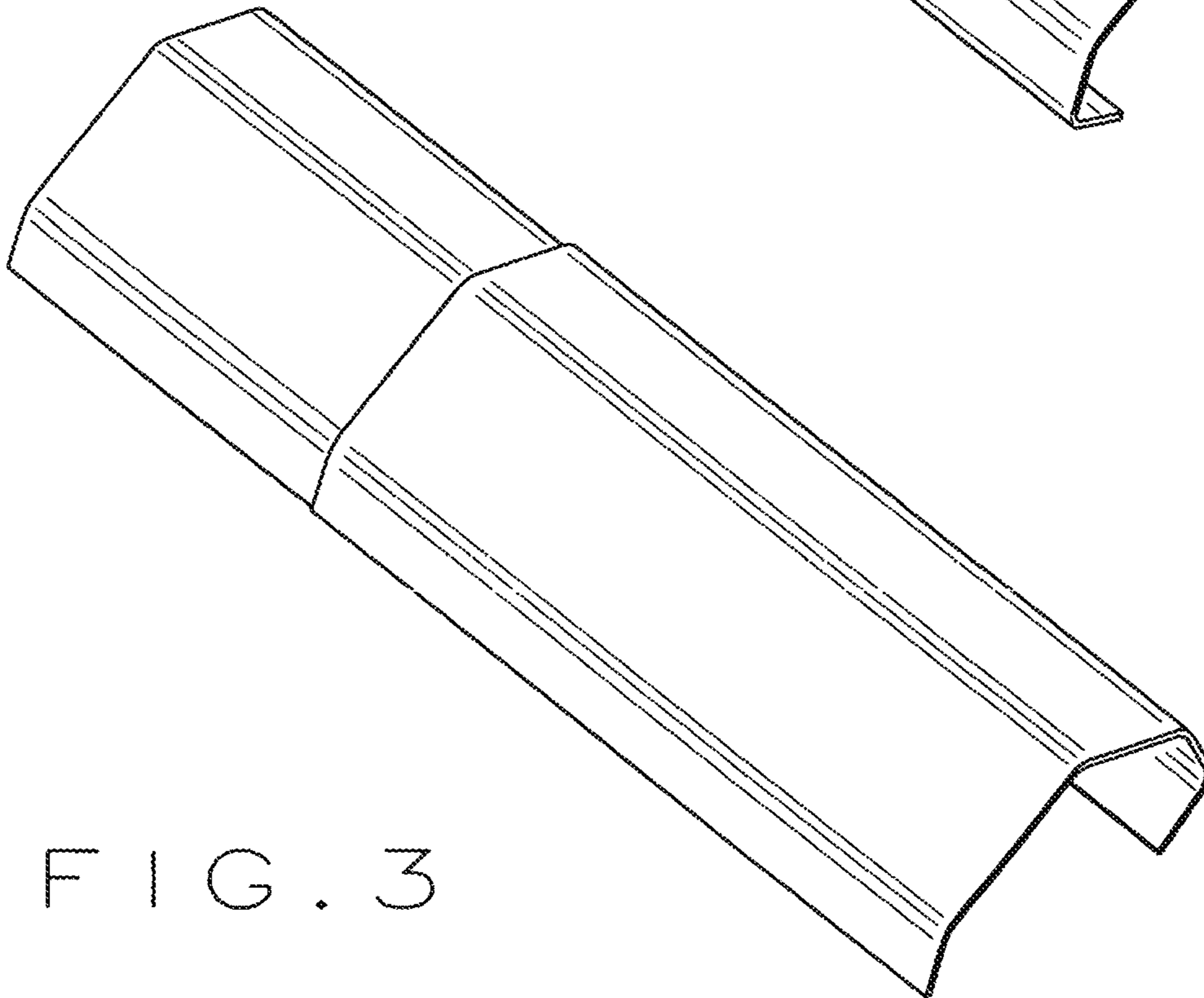


FIG. 3



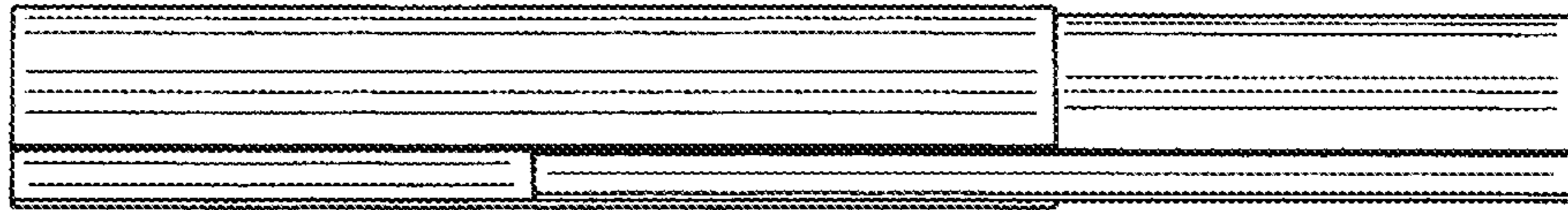


FIG. 4

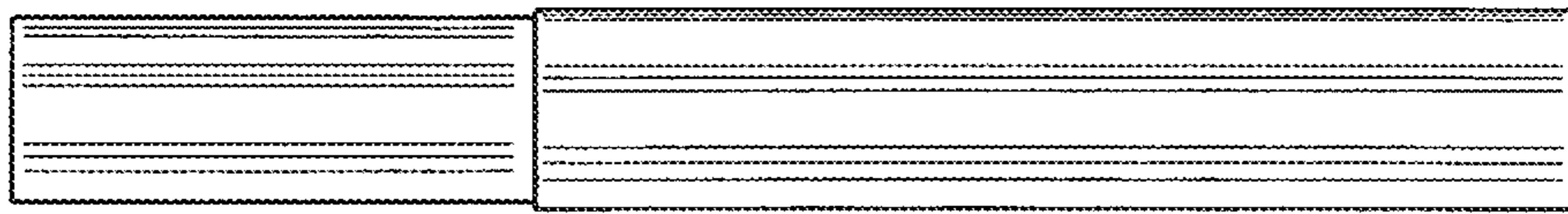


FIG. 5



FIG. 6



FIG. 7

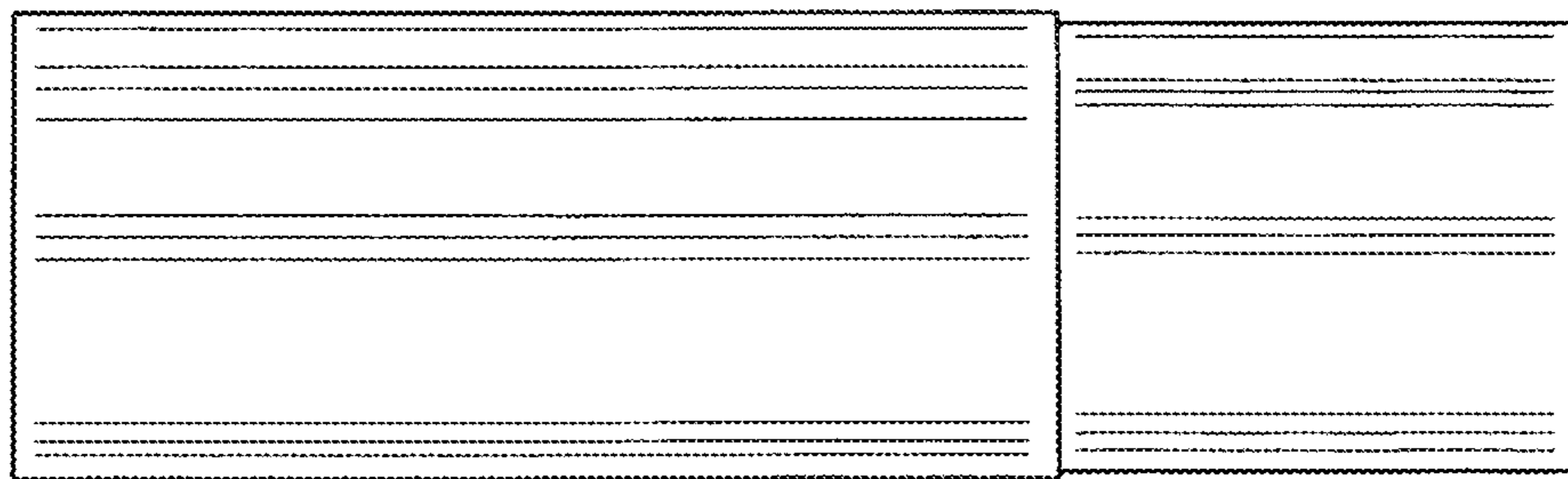


FIG. 8

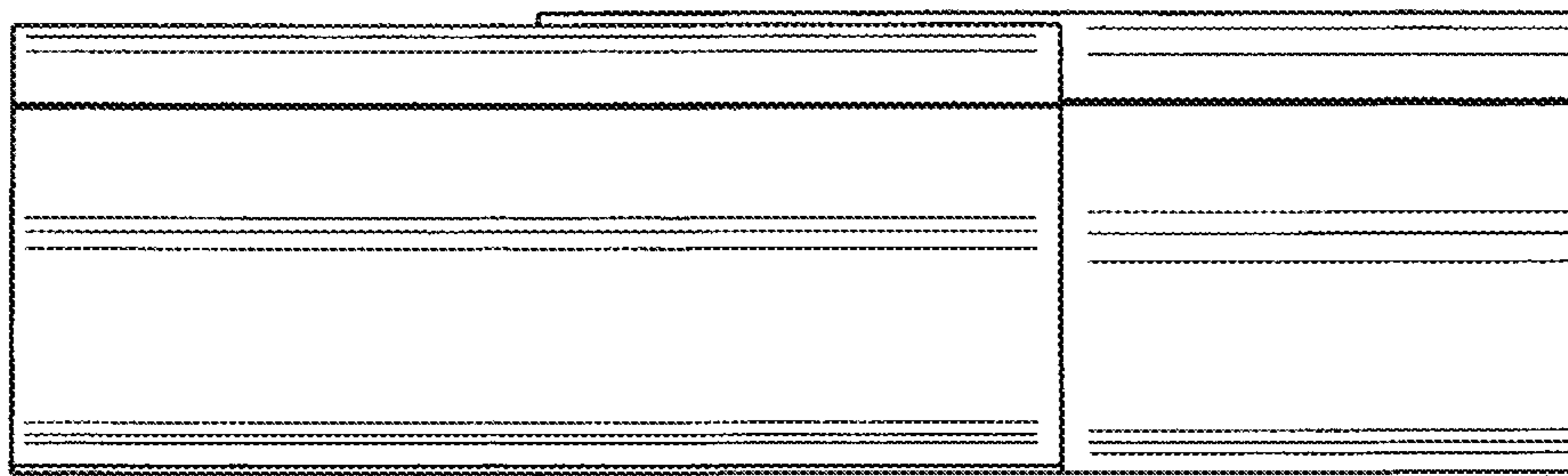


FIG. 9