



US00D923400S

(12) **United States Design Patent**
Wang

(10) **Patent No.:** **US D923,400 S**
(45) **Date of Patent:** **** Jun. 29, 2021**

(54) **LID FOR WATER BOTTLE**

(71) Applicant: **SHENZHEN CAMPER ENTERPRISE CO., LTD.**, Shenzhen (CN)

(72) Inventor: **Longhong Wang**, Shenzhen (CN)

(**) Term: **15 Years**

(21) Appl. No.: **29/718,986**

(22) Filed: **Dec. 31, 2019**

(30) **Foreign Application Priority Data**

Oct. 15, 2019 (CN) 201930560960.7

(51) **LOC (13) Cl.** **07-99**

(52) **U.S. Cl.**
USPC **D7/396.2**

(58) **Field of Classification Search**
USPC D7/509, 510, 511, 624.1, 387, 391, 392, D7/392.1, 393, 396.1, 396.2; D9/434, D9/435, 439, 445, 447, 448, 449, 451, D9/454, 438, 440, 443, 452, 453, 686, D9/723, 724, 436; D23/259, 260, 261, D23/209, 210; D24/162, 127
CPC B65D 43/265; B65D 17/506; B65D 47/04; B65D 47/06; B65D 47/08; B65D 47/20; B65D 1/00; B65D 1/02; B65D 1/10; B65D 1/46; B65D 2585/56; B65D 2585/545; B65D 41/00; B65D 41/38; B65D 41/56; B65D 41/62; B65D 47/00; B65D 23/00; B65D 51/1694; B65D 43/0212; B65D 43/0208; B65D 2543/00046; B65D 2543/00092; B65D 1/24; B65D 25/04; B65D 43/09; B65D 43/16; A61J 1/00; A61J 1/1412; A61J 1/02

See application file for complete search history.

(56) **References Cited**

U.S. PATENT DOCUMENTS

D379,302 S *	5/1997	Rodman	D9/440
D504,796 S *	5/2005	Schuler	D7/392.1
D751,341 S *	3/2016	Seiders	D7/396.2
D790,272 S *	6/2017	Han	D7/396.2
D802,362 S *	11/2017	Spivey	D7/396.2
D814,857 S *	4/2018	Rolfson	D7/392.1
D842,028 S *	3/2019	Melanson	D7/392.1
D850,192 S *	6/2019	Jacobsen	D7/396.2

(Continued)

FOREIGN PATENT DOCUMENTS

CA 171462 * 7/2017

OTHER PUBLICATIONS

Indigo Falls Universal Tumbler Lid: Announced Jul. 26, 2020 [online]. Site Visited [Dec. 28, 2020]. Available from Internet URL: https://indigofalls.com/set-of-2-universal-tumbler-replacement-lids-works-for-18-24-oz/#product-reviews.*

(Continued)

Primary Examiner — Catherine S Posthauer

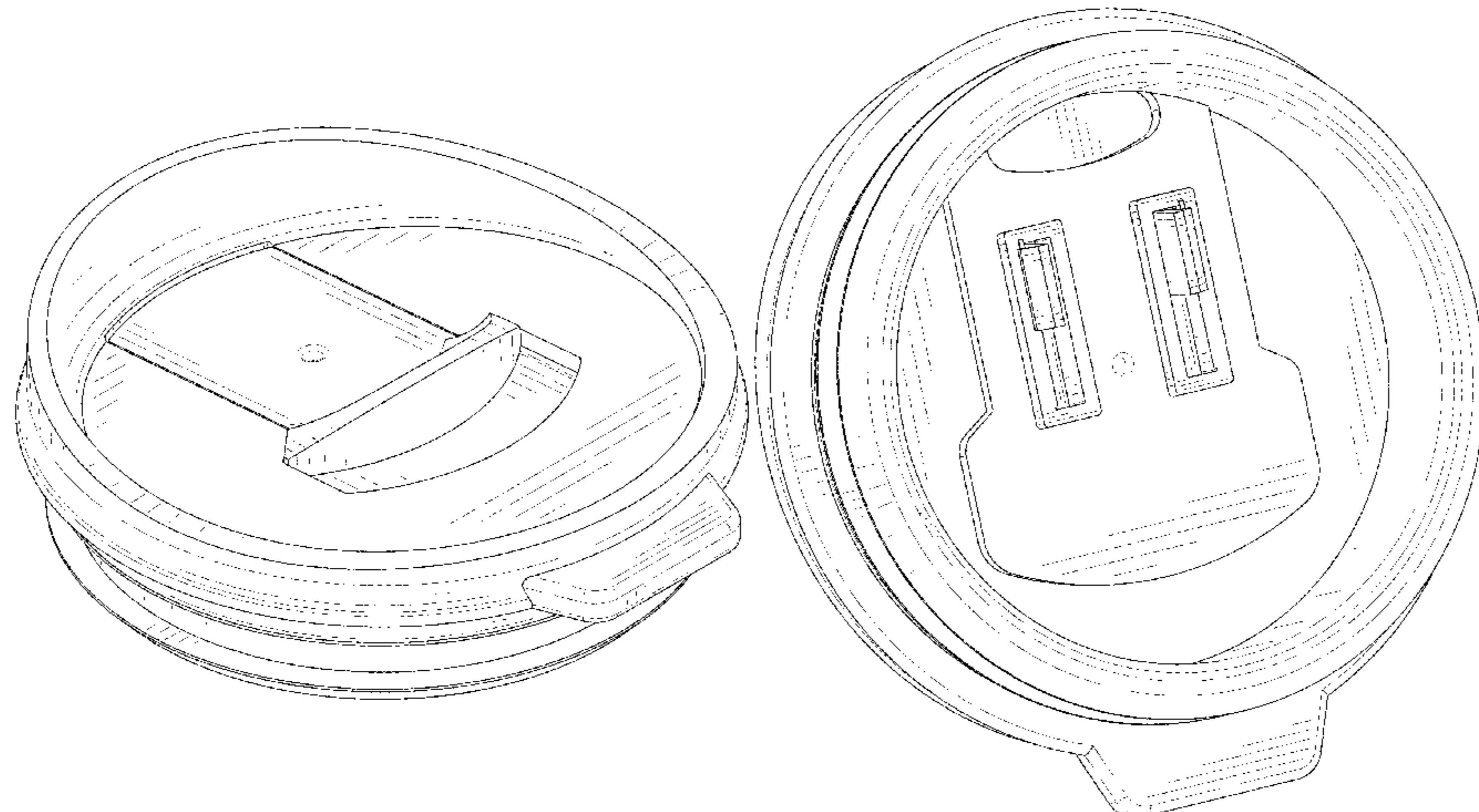
(57) **CLAIM**

The ornamental design for a lid for water bottle, as shown and described.

DESCRIPTION

FIG. 1 is a front perspective view of a lid for water bottle, showing my new design;
FIG. 2 is a rear perspective view thereof;
FIG. 3 is a front elevational view thereof;
FIG. 4 is a rear elevational view thereof;
FIG. 5 is a left side elevational view thereof;
FIG. 6 is a right side elevational view thereof;
FIG. 7 is a top plan view thereof; and,
FIG. 8 is a bottom plan view thereof.
The broken lines in the figures illustrate portions of the lid for water bottle that form no part of the claimed design.

1 Claim, 8 Drawing Sheets



(56)

References Cited

U.S. PATENT DOCUMENTS

D863,874 S * 10/2019 Melanson D7/392
D867,057 S * 11/2019 Spivey D7/392
D882,334 S * 4/2020 Henkel D7/396.2
D896,575 S * 9/2020 Xie D7/392.1
D897,148 S * 9/2020 Han D7/392.1
D898,506 S * 10/2020 Perman D7/392.1
D902,646 S * 11/2020 Seiders D7/392.1
2015/0097007 A1 * 4/2015 Garneau B65D 47/2031
222/544
2018/0206660 A1 * 7/2018 Heiman A47G 19/2272
2020/0095030 A1 * 3/2020 Cheng B65D 47/0861

OTHER PUBLICATIONS

Leak Proof Plastic Cup Lid: Site Visited [Dec. 28, 2020]. Available from Internet URL: https://www.alibaba.com/product-detail/Fashion-leak-proof-Reusable-Plastic-Cup_1600117888272.html?spm=a2700.7724857.normal_offer.d_image.%E2%80%A6.*

Amazon Replacement Tumbler Lid: Announced Jul. 19, 2019 [online]. Site Visited [Dec. 28, 2020]. Available from Internet URL: https://www.amazon.com/Replacement-Stainless-Insulated-Compatible-Resistant/dp/B07JZVNVY2/ref=cm_cr_arp_d_product_top?ie=UTF8.*

2-Piece Tumbler Lid: Announced Nov. 2019 [online]. Site Visited [Dec. 28, 2020]. Available from Internet URL: <https://www.amazon.com/dp/B07WSLCK84?th=1>.*

CamelBak Accessory Lid: Site Visited [Dec. 31, 2020]. Available from Internet URL: <https://www.camelbak.com/recreation/accessories/caps/CB-2437.html>.*

* cited by examiner

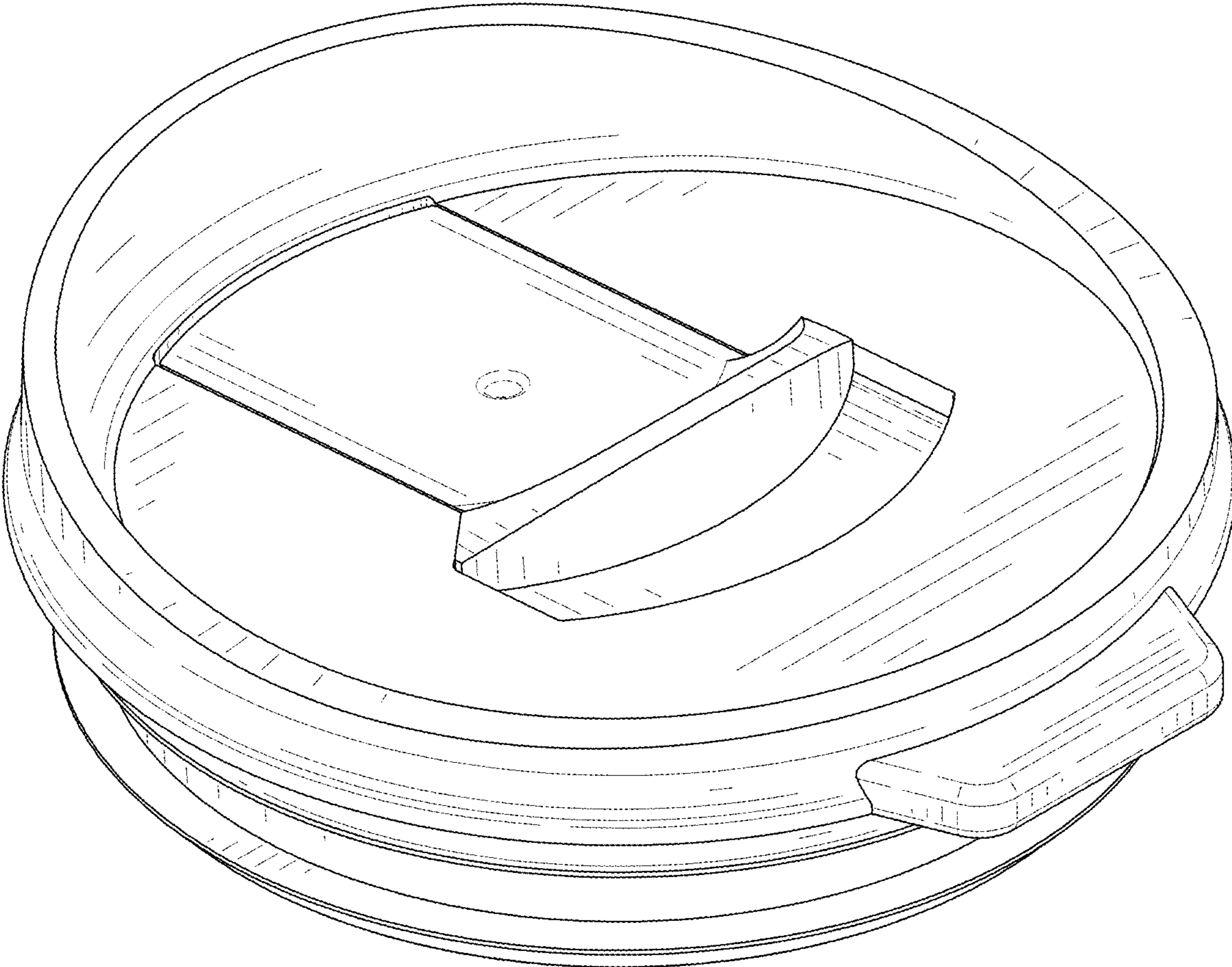


FIG. 1

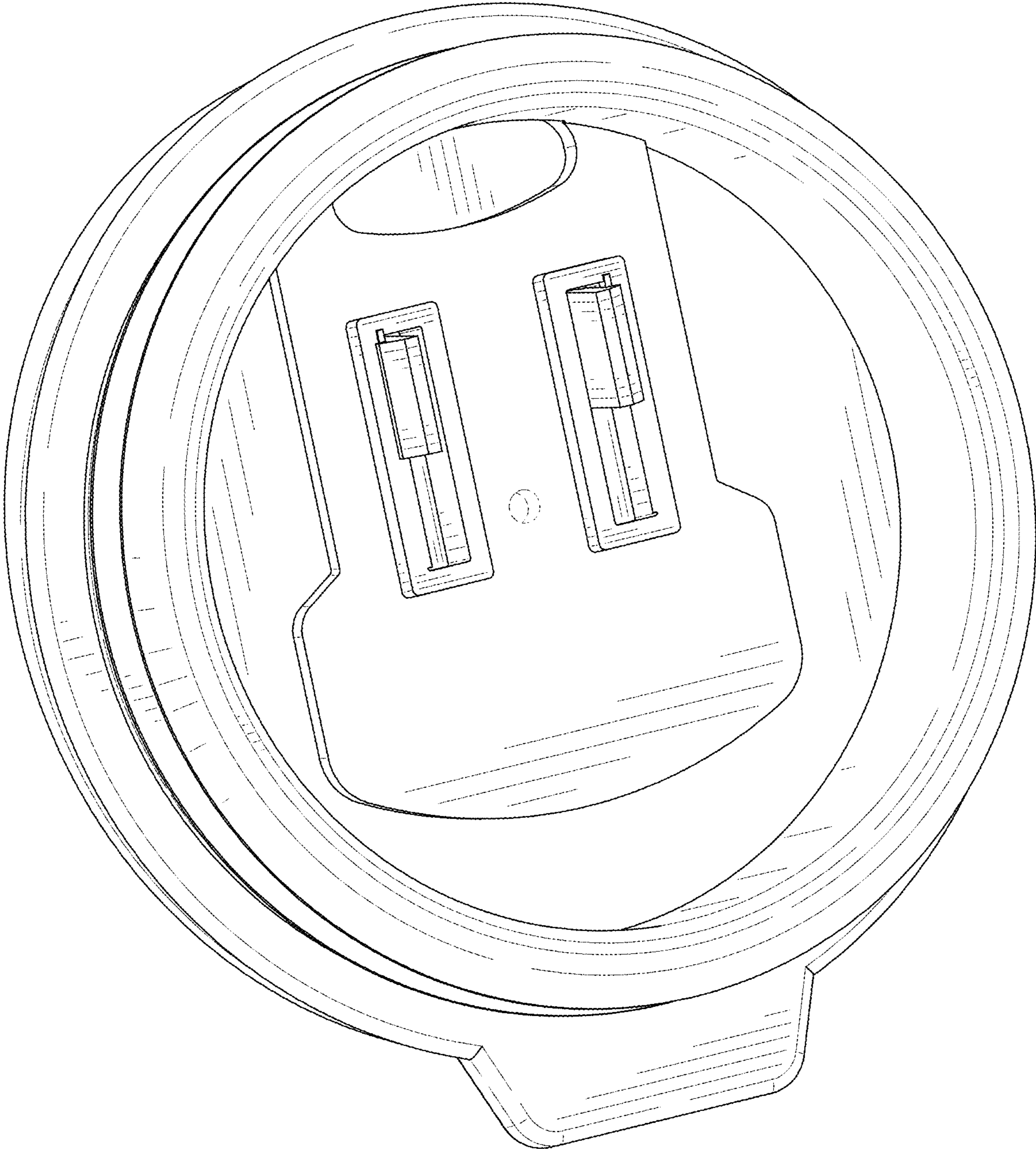


FIG. 2

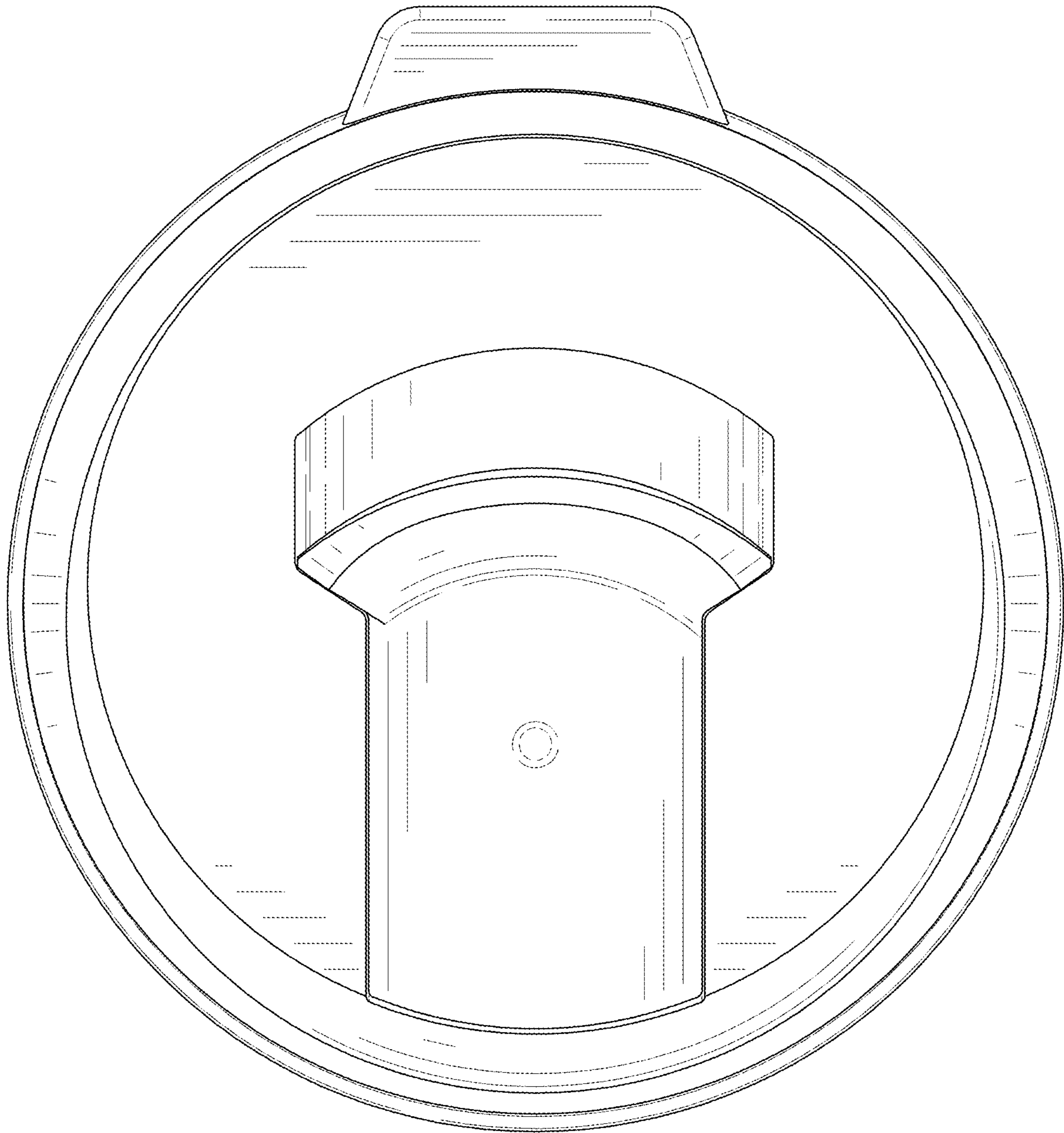


FIG. 3

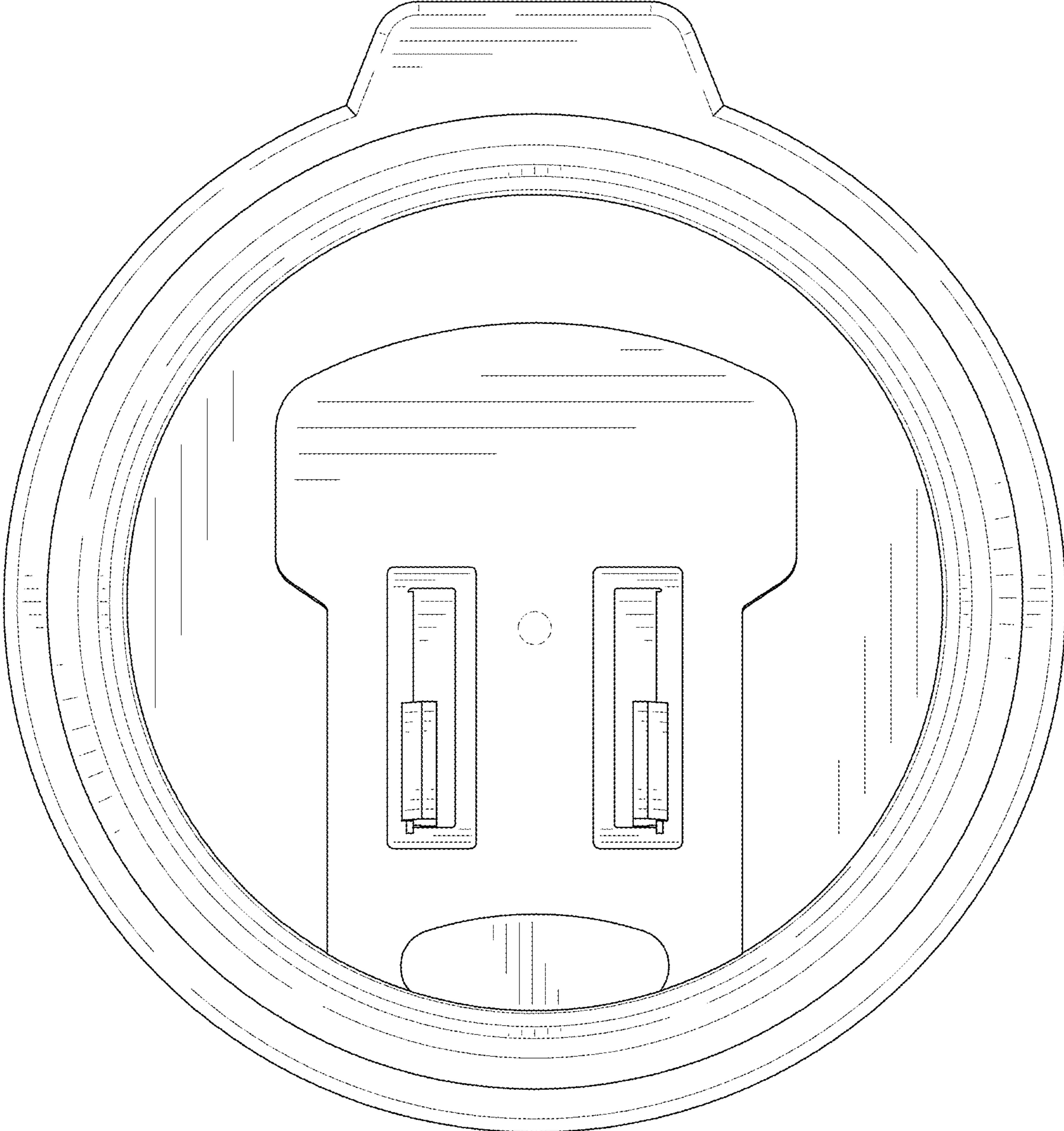


FIG. 4

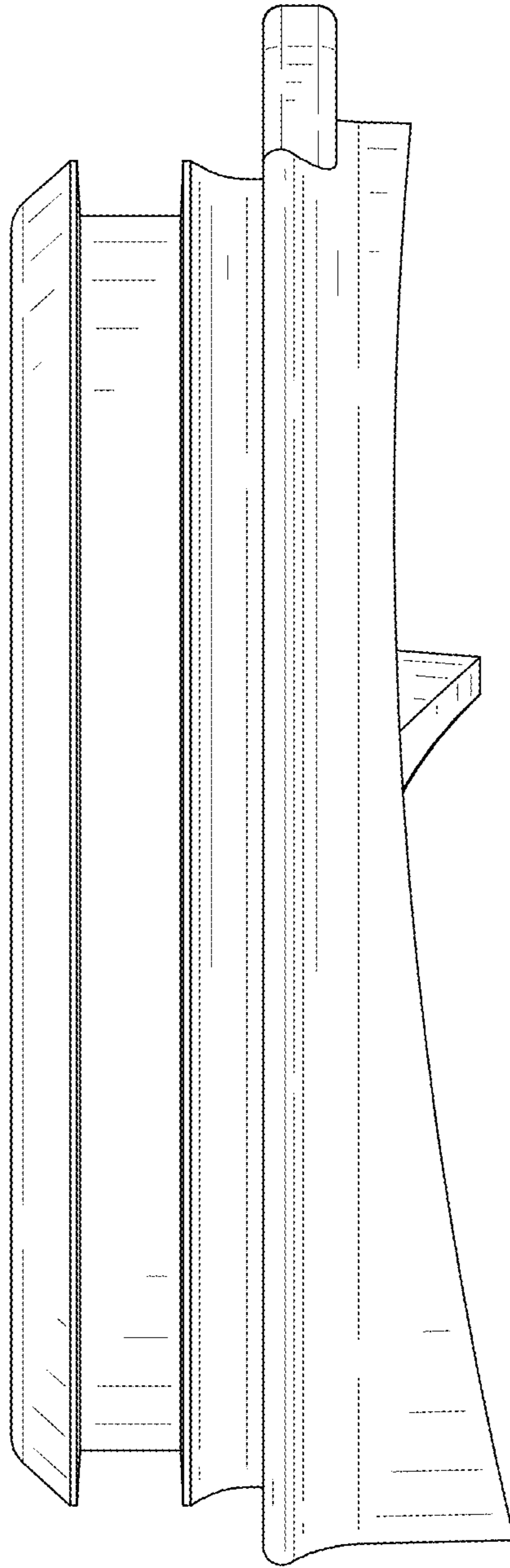


FIG. 5

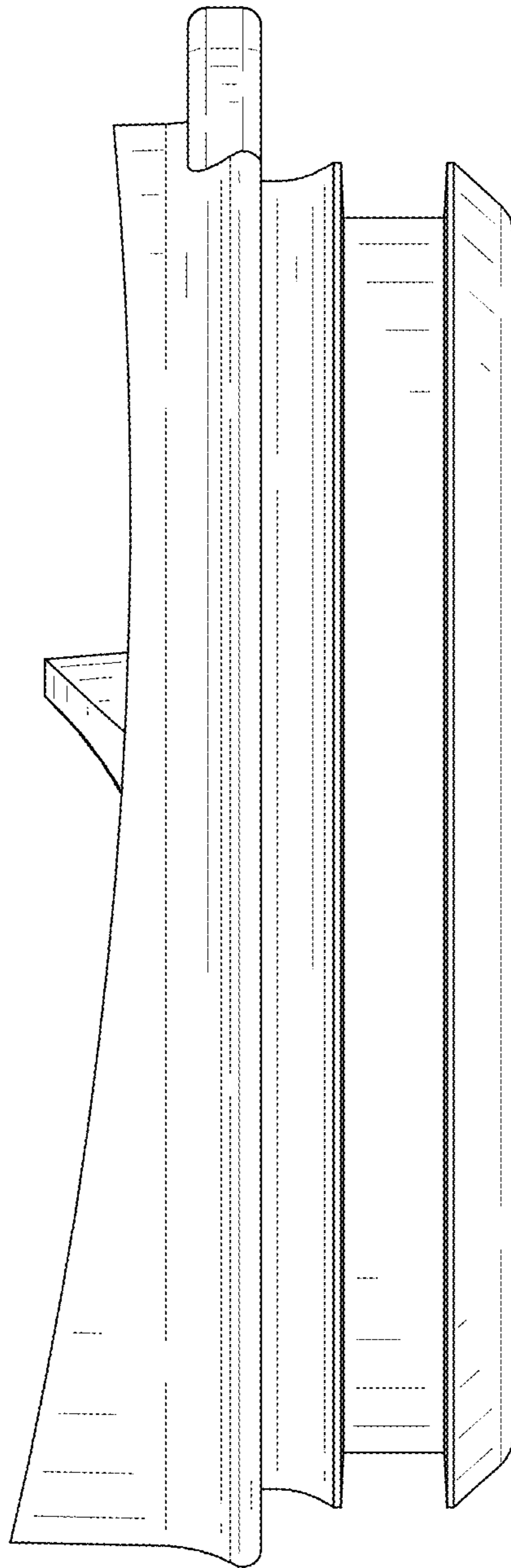


FIG. 6

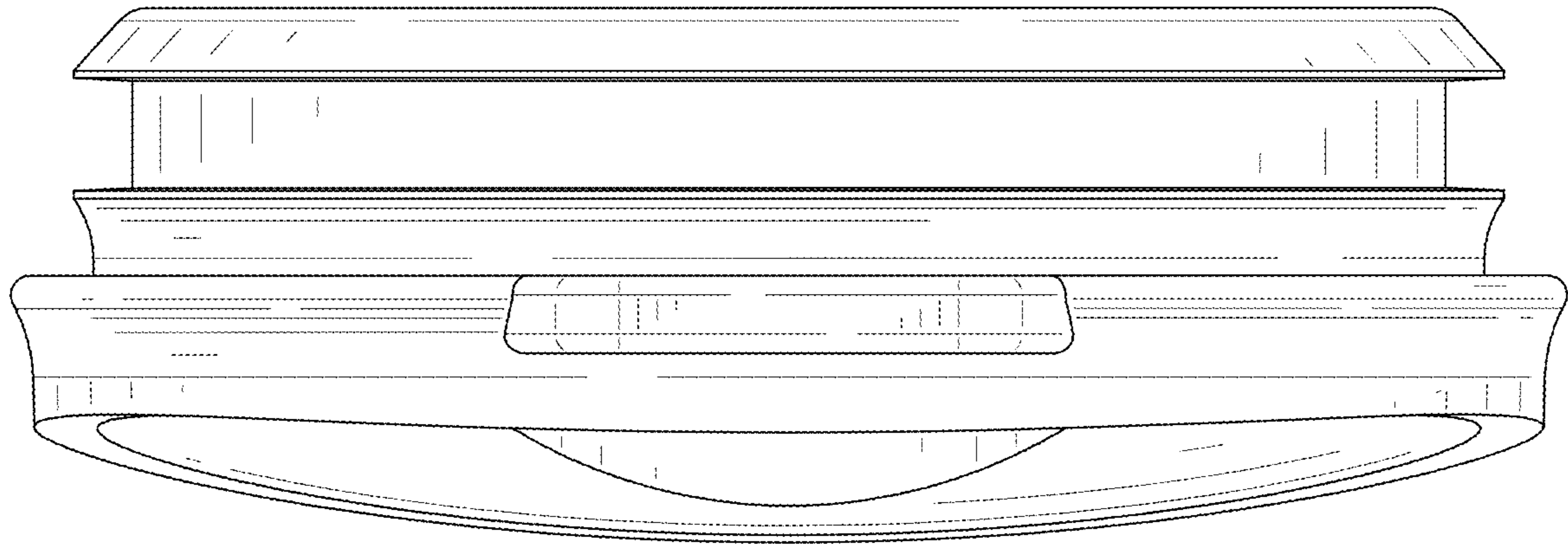


FIG. 7

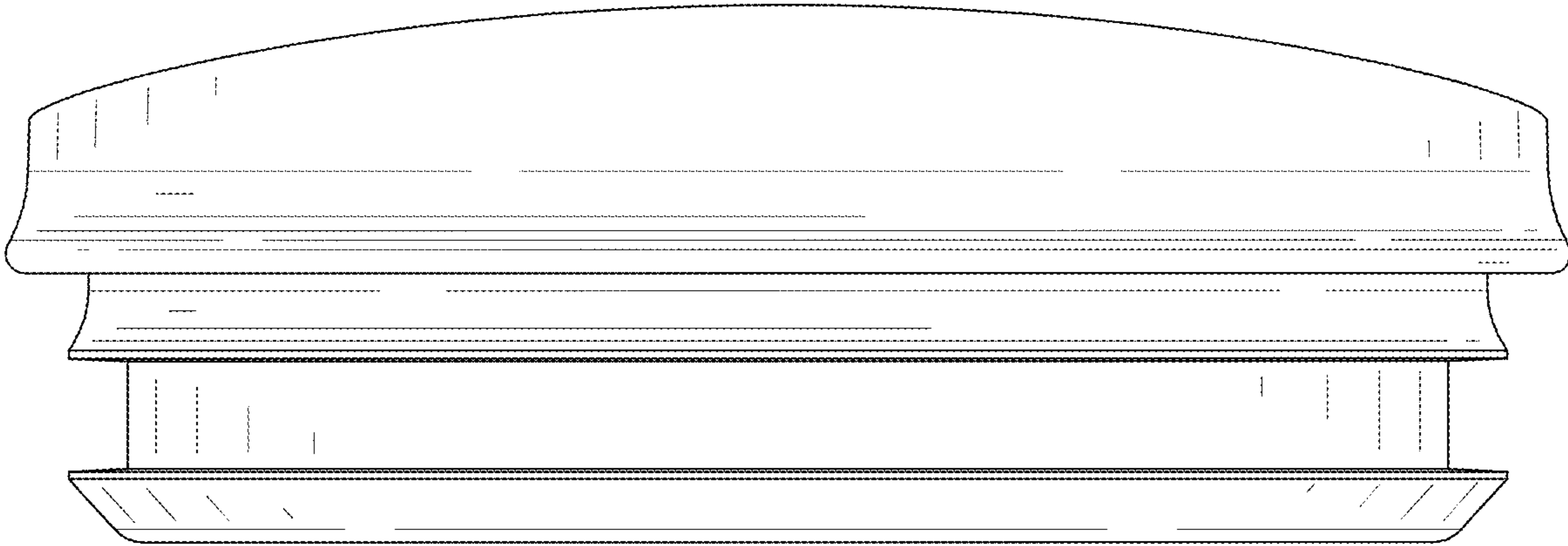


FIG. 8