



US00D923399S

(12) **United States Design Patent**
Egorov

(10) **Patent No.:** **US D923,399 S**
(45) **Date of Patent:** **** Jun. 29, 2021**

(54) **LID FOR BOTTLE**

(71) Applicant: **b.box for kids developments Pty Ltd,**
Mulgrave (AU)

(72) Inventor: **Miroslav Egorov,** Mulgrave (AU)

(73) Assignee: **b.box for kids developments Pty Ltd,**
Mulgrave (AU)

(**) Term: **15 Years**

(21) Appl. No.: **29/698,804**

(22) Filed: **Jul. 19, 2019**

(51) **LOC (13) Cl.** **07-99**

(52) **U.S. Cl.**

USPC **D7/396.2**

(58) **Field of Classification Search**

USPC D7/509, 523, 528, 529, 537, 553.6,
D7/554.1, 566, 600.1, 601, 602, 619.1,
D7/624.1, 624.2, 300, 300.1, 305, 392.1,
D7/397, 398, 387, 323, 354-363,
D7/391-396.2, 402, 409, 587, 396.6, 900;
D9/434, 435, 438, 440, 447, 448, 449,
D9/454

CPC B65D 25/54; B65D 25/106; B65D 25/22;
B65D 25/24; B65D 39/0005; B65D
43/06; B65D 51/24; B65D 51/245; B65D
2201/00; B65D 1/00; B65D 1/22; B65D
1/26; B65D 1/34; B65D 1/40; B65D
1/165; B65D 2251/0087; B65D
2251/0018; B65D 2251/0028; B65D
2251/009; B65D 81/18; B65D 81/38;
B65D 21/0223; B65D 21/02; B65D
21/265; A47F 3/145; A45D 34/02; A47J
47/14; F01M 11/0458; A47G 19/00;
A47G 19/2272; A47G 19/222; A47G
19/226; A47G 19/2294; A47G 19/2205

See application file for complete search history.

(56) **References Cited**

U.S. PATENT DOCUMENTS

D425,362 S * 5/2000 Meyers D7/392
D547,607 S * 7/2007 Forsman D7/396.2

D638,658 S * 5/2011 Staton D7/392
D719,780 S * 12/2014 Sullivan D7/392.1
D723,328 S * 3/2015 Steel D7/396.2
D748,943 S * 2/2016 Miller D7/392.1
D768,491 S * 10/2016 Sorensen D7/392.1
D793,154 S * 8/2017 Sorensen D7/392.1

(Continued)

OTHER PUBLICATIONS

Vacuum Insulated Stainless Steel Hydration: Announced Apr. 20,
2018 [online]. Site Visited [Jun. 21, 2020]. Available from Internet
URL: <https://www.thermos.com/thermos-vacuum-insulated-stainless-steel-hydration-bottle-18-ounce.html>.*

(Continued)

Primary Examiner — Catherine S Posthauer

(74) *Attorney, Agent, or Firm* — Young Basile Hanlon &
MacFarlane, P.C.

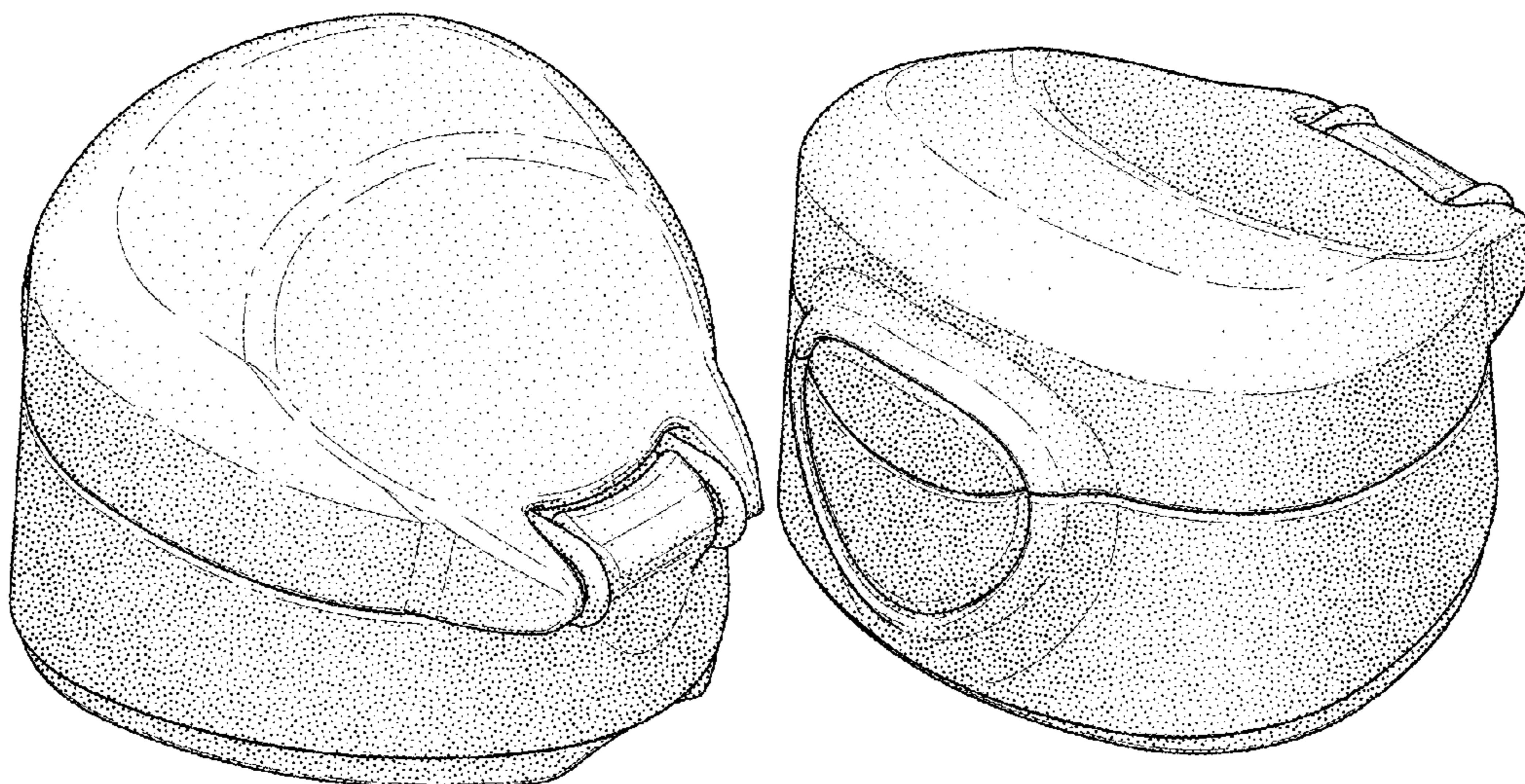
(57) **CLAIM**

The ornamental design for a lid for bottle, as shown and
described.

DESCRIPTION

FIG. 1 is a top plan view of a lid for bottle showing my new
design;
FIG. 2 is a left side view thereof.
FIG. 3 is front side view thereof.
FIG. 4 is a right side view thereof.
FIG. 5 is an upper rear perspective view thereof.
FIG. 6 is an upper front perspective view thereof.
FIG. 7 is a rear side view thereof; and,
FIG. 8 is a front perspective reference view thereof, shown
in a position of use with an exemplary bottle.
The broken lines are shown for the purpose of illustrating
environmental subject matter of an exemplary bottle and
form no part of the claimed design.

1 Claim, 5 Drawing Sheets



(56)

References Cited

U.S. PATENT DOCUMENTS

D794,386 S * 8/2017 Steel D7/396.2
 D802,993 S * 11/2017 Joseph D7/392.1
 D808,711 S * 1/2018 Joseph D7/392.1
 D810,506 S * 2/2018 Erickson D7/396.2
 D811,810 S * 3/2018 Joseph D7/392.1
 D814,855 S * 4/2018 Hammer D7/392.1
 D818,317 S * 5/2018 Fu D7/510
 D818,774 S * 5/2018 Stover D7/510
 D820,635 S * 6/2018 Hammer D7/392.1
 D820,637 S * 6/2018 Davis D7/392.1
 D831,414 S * 10/2018 Diener D7/392
 D836,386 S * 12/2018 Ayriss B65D 47/0857
 D7/392
 D839,663 S * 2/2019 Hu D7/391
 D844,376 S * 4/2019 Rosette D7/392
 D847,563 S * 5/2019 Jacobsen D7/396.2
 D853,784 S * 7/2019 Wu D7/392.1
 D853,791 S * 7/2019 Gispert D7/510
 D857,445 S * 8/2019 Keung D7/392.1
 10,414,549 B2 * 9/2019 Hirst A47G 21/18

D862,977 S * 10/2019 Bohman D7/392
 D863,878 S * 10/2019 Cortadellas D7/396.2
 D867,811 S * 11/2019 Lane D7/392
 D879,550 S * 3/2020 Lane D7/392
 D881,643 S * 4/2020 Fleischhut D7/396.2
 D882,335 S * 4/2020 Lane D7/396.2
 2015/0173539 A1 * 6/2015 Mason B65D 47/063
 220/707

OTHER PUBLICATIONS

Brimma Water Bottle: Announced [May 16, 2016 [online]. Site Visited [Jun. 21, 2020]. Available from Internet URL: https://www.amazon.com/Brimma-Premium-Sports-Water-Bottle/dp/B07BXDFWJM/ref=cm_cr_arp_d_product_top?ie=UTF8.*

Sport Water Bottle Flip Top Lock Lid: Site Visited [Jun. 21, 2020]. Available from Internet URL: <https://threedropsoflife.com/collections/water-bottles/products/fliplocklid>.*

Best Water Bottles 2020: Announced [May 17, 2020]. Site Visited [Jun. 21, 2020]. Available from internet URL: <https://www.hqreview.com/top-10-best-sports-water-bottles/>.*

* cited by examiner

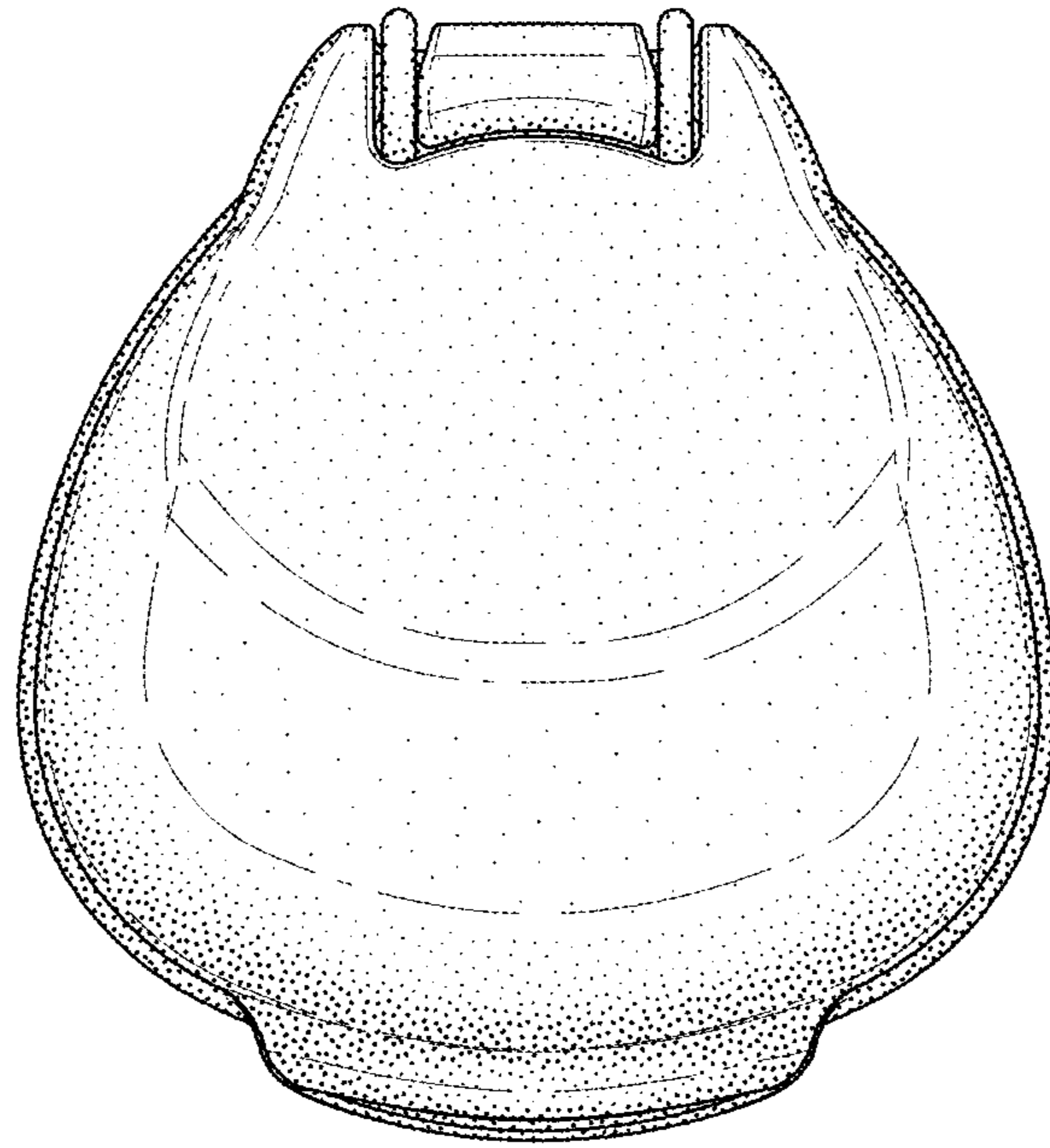


FIG. 1

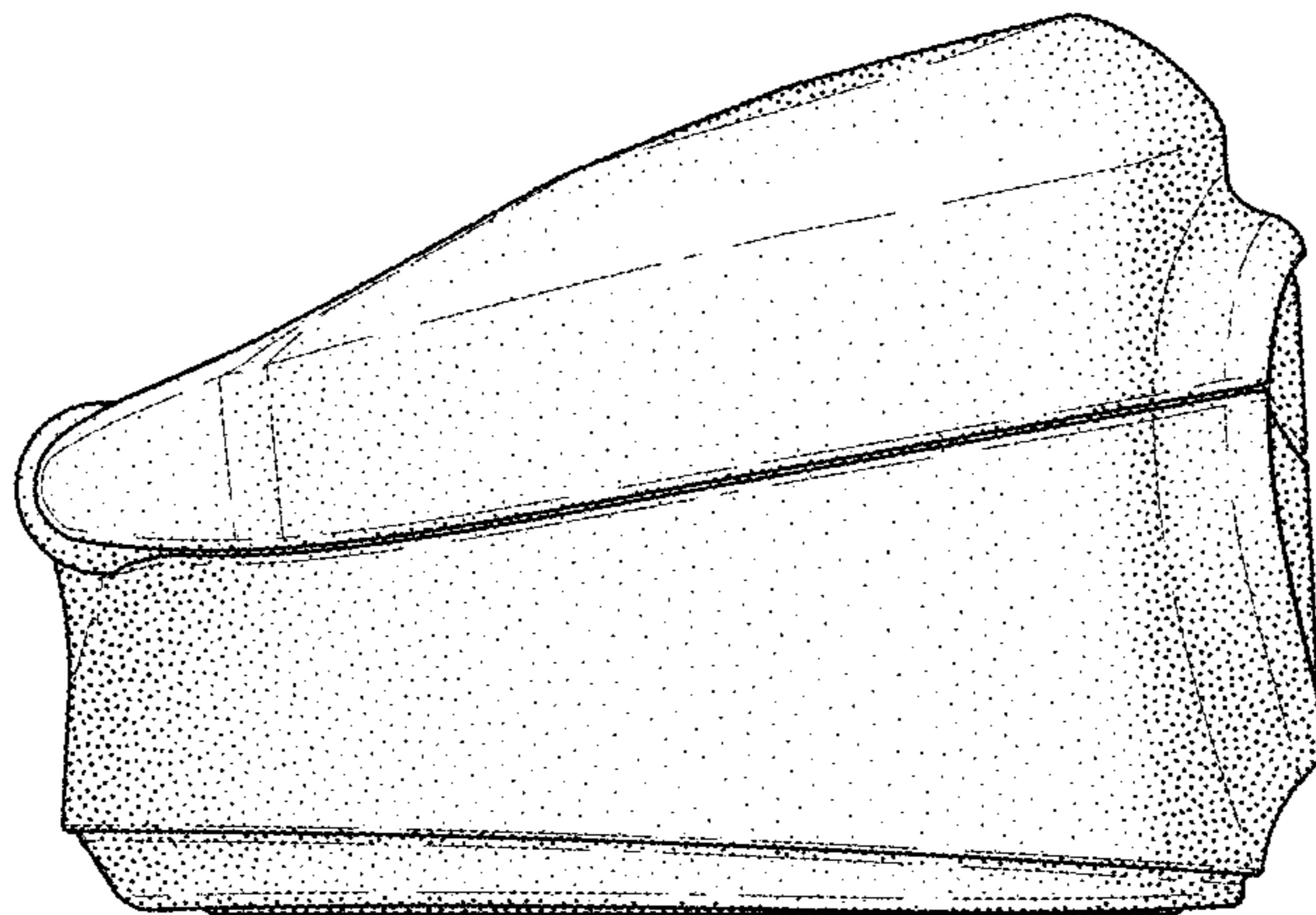


FIG. 2

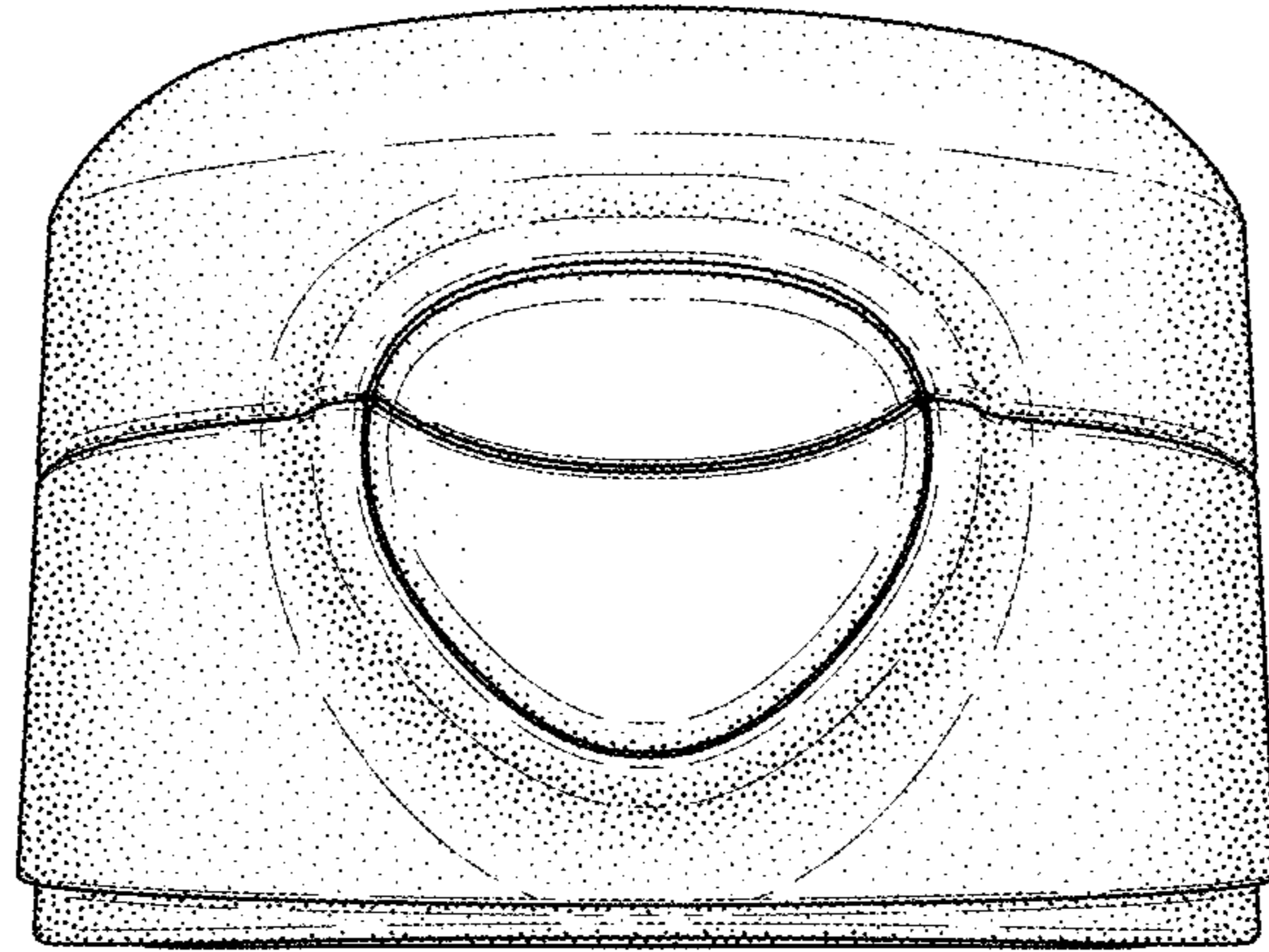


FIG. 3

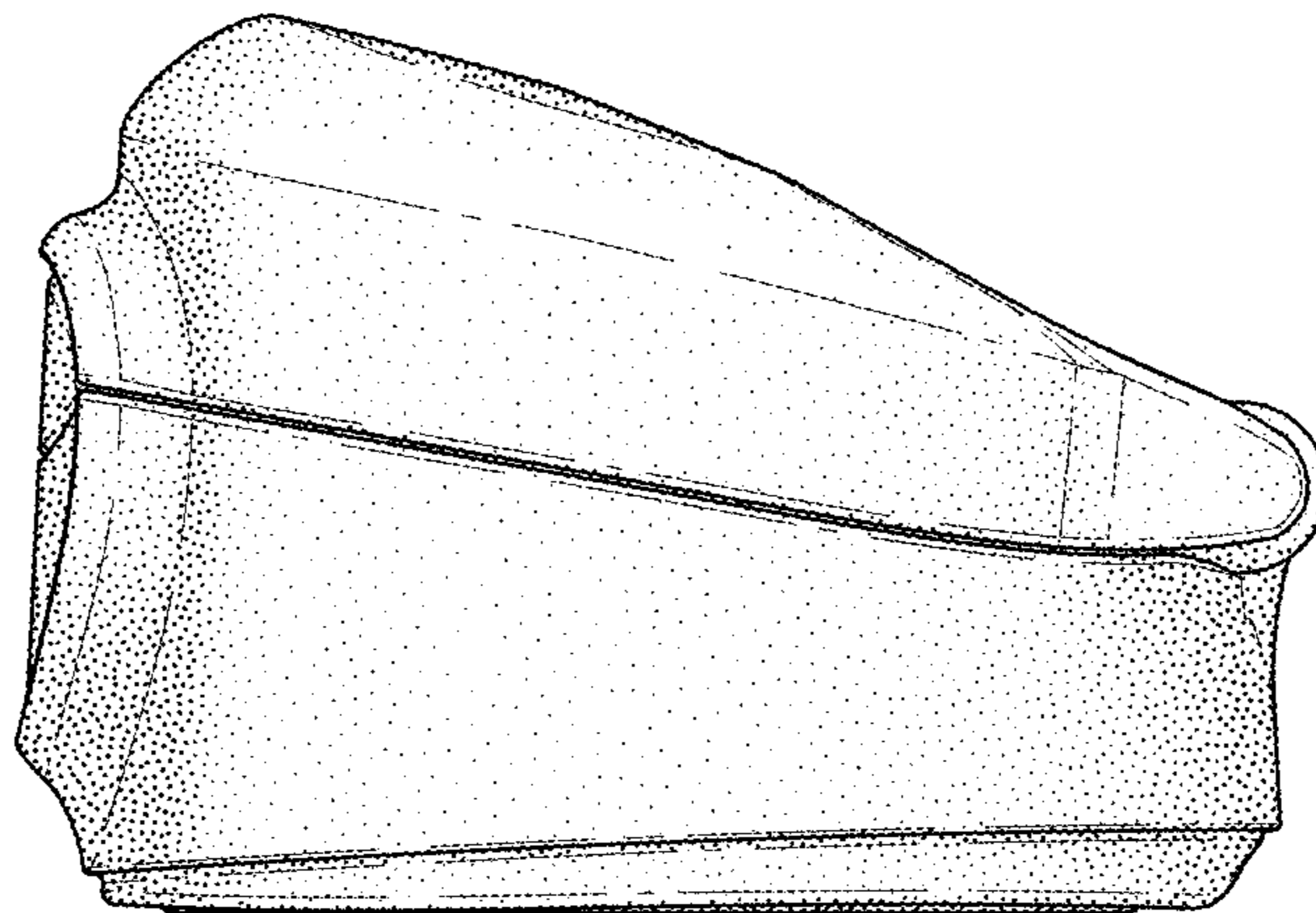


FIG. 4

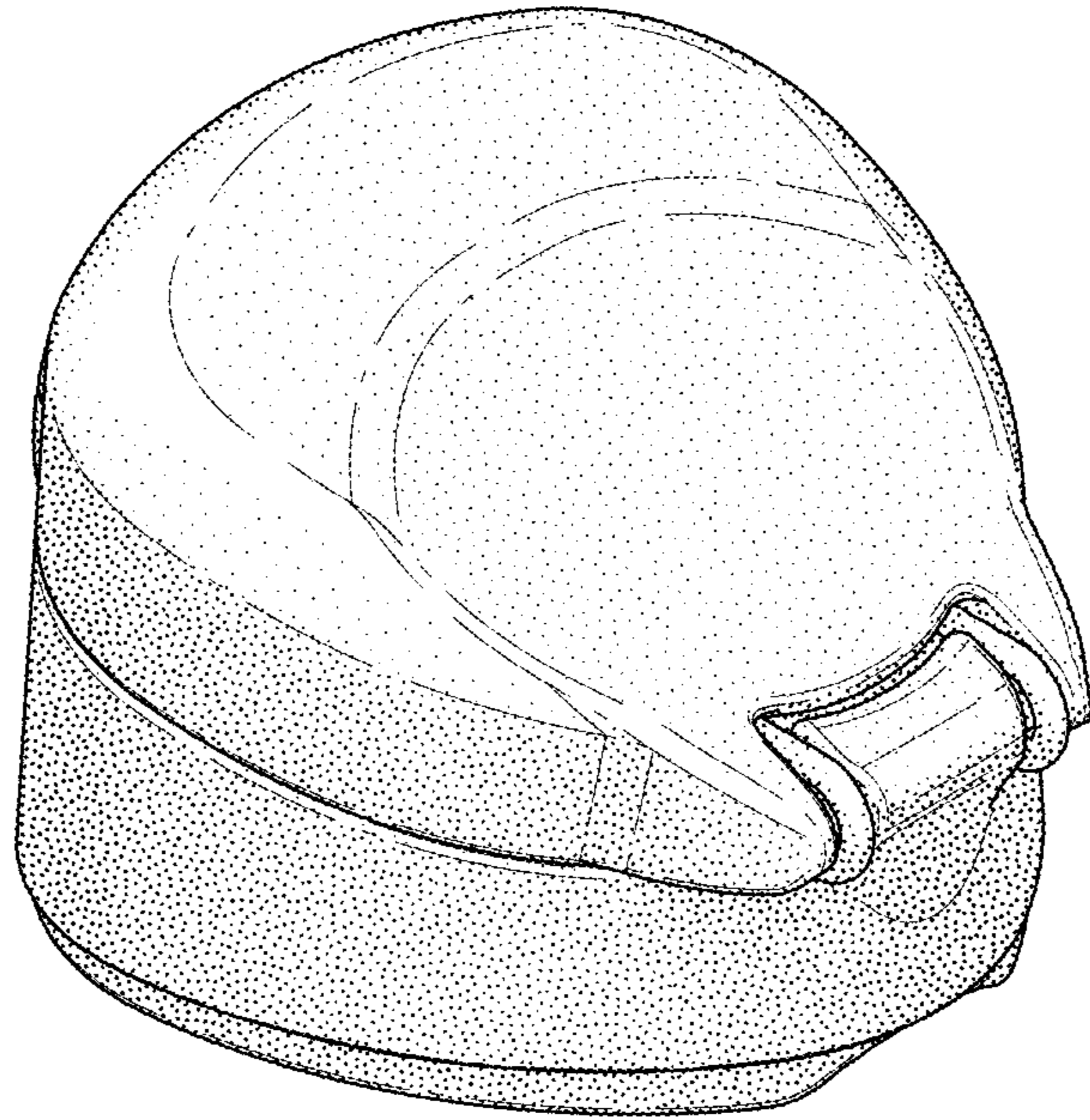


FIG. 5

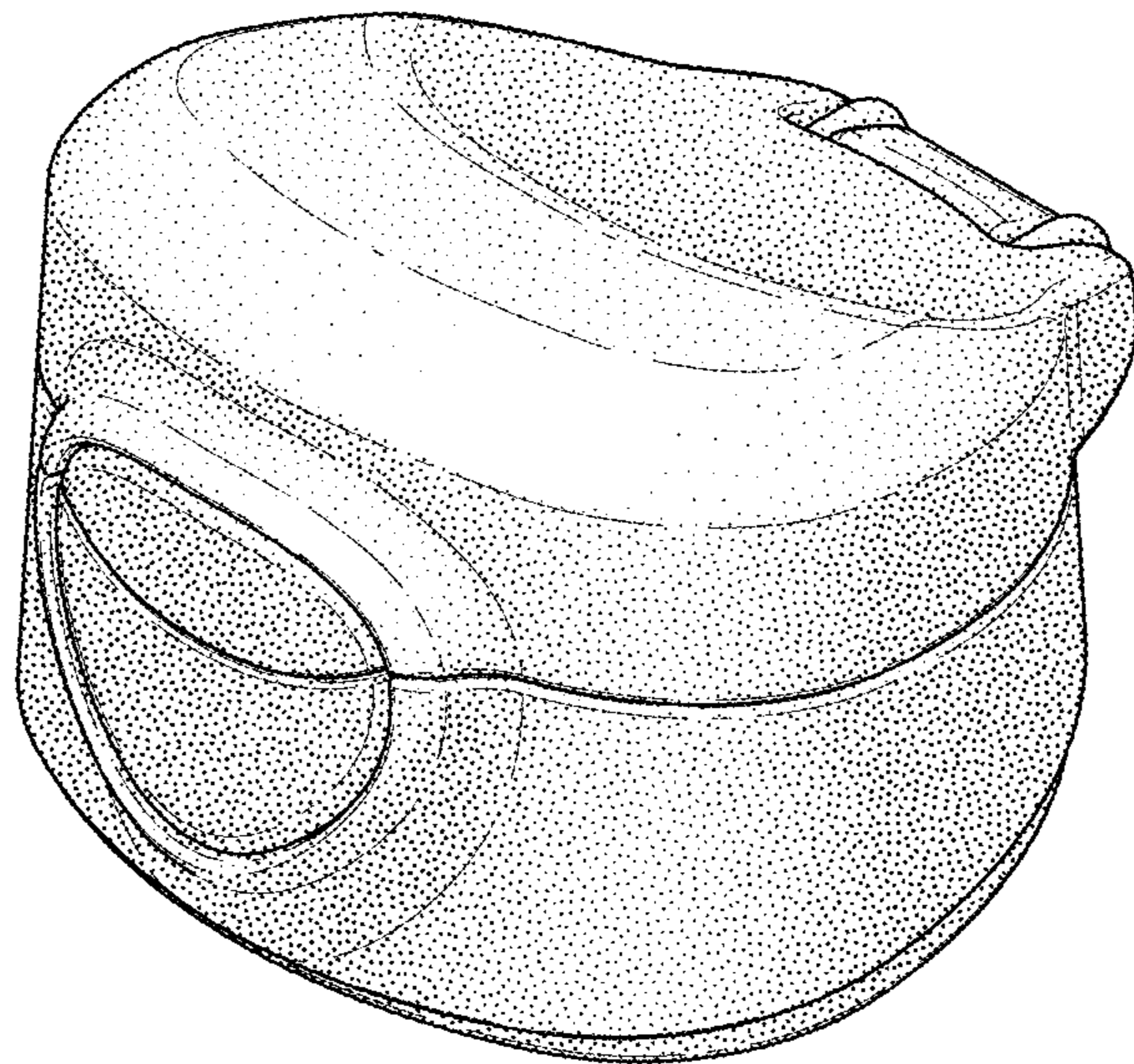


FIG. 6

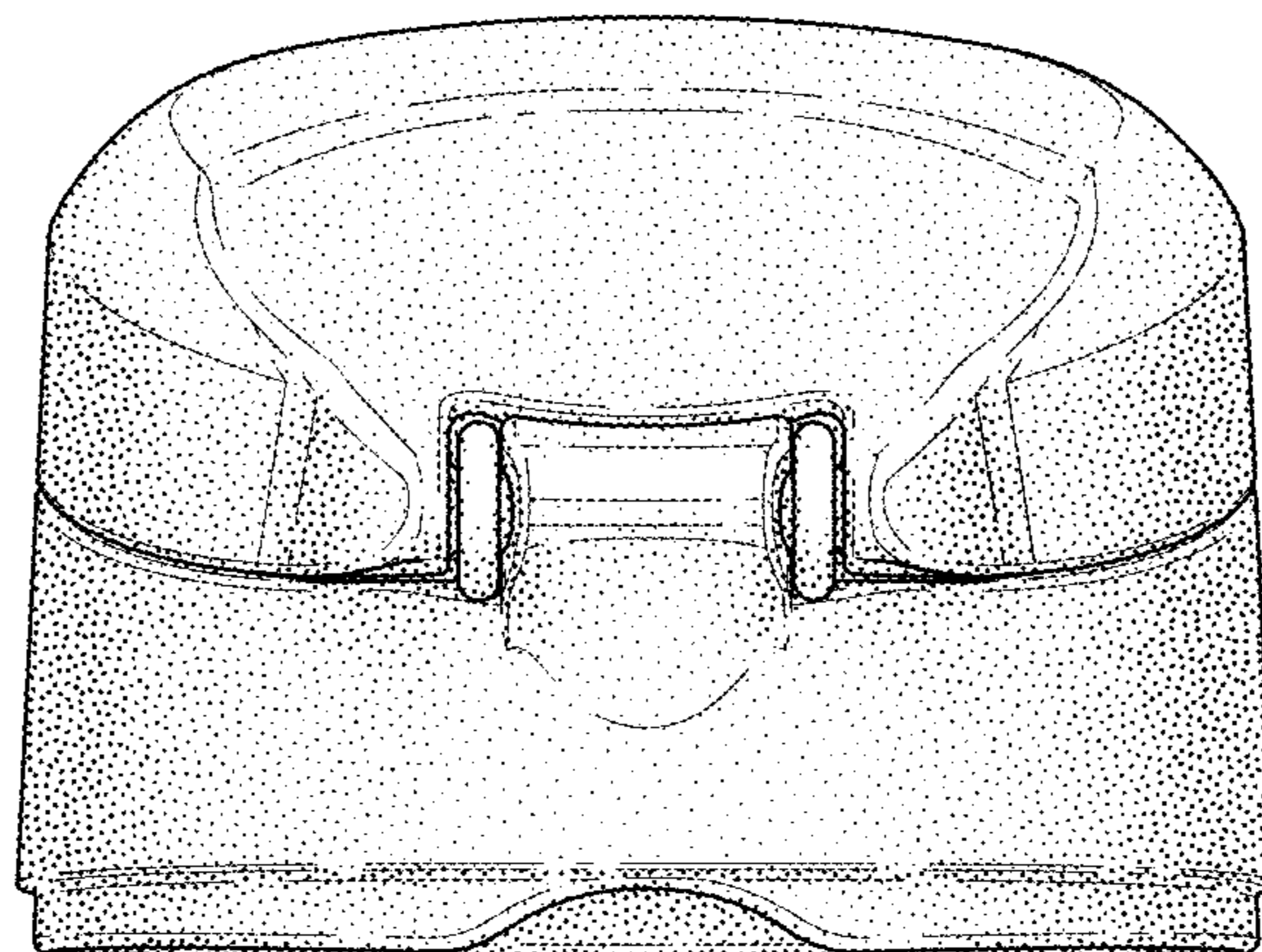


FIG. 7

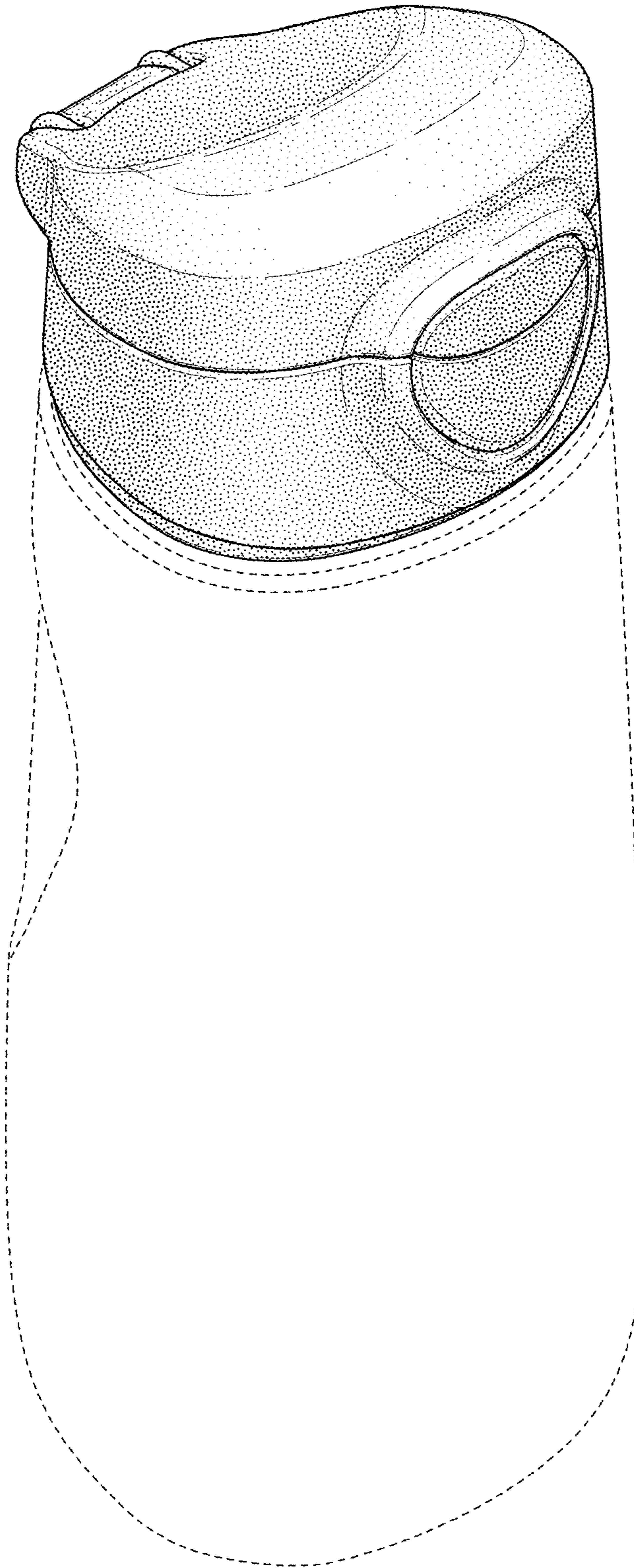


FIG. 8