



US00D923398S

(12) **United States Design Patent** (10) **Patent No.:** **US D923,398 S**  
**Dodane** (45) **Date of Patent:** **\*\* Jun. 29, 2021**

(54) **PAN LIFTER**  
(71) Applicant: **CRISTEL**, Fesches-le-Chatel (FR)  
(72) Inventor: **Paul Dodane**, Fesches-le-Chatel (FR)  
(73) Assignee: **Cristel**, Fesches-le-Chatel (FR)  
(\*\*) Term: **15 Years**  
(21) Appl. No.: **29/722,014**  
(22) Filed: **Jan. 24, 2020**

D542,596 S 5/2007 Spagnolo  
D702,995 S \* 4/2014 Dodane ..... D7/393  
D745,803 S 12/2015 Dodane  
D747,919 S \* 1/2016 Dodane ..... D7/393  
D815,488 S \* 4/2018 Dodane ..... D7/393  
D818,311 S \* 5/2018 Munari ..... D7/393  
(Continued)

(30) **Foreign Application Priority Data**

Aug. 28, 2019 (EM) ..... 006776910-0001

(51) **LOC (13) Cl.** ..... **07-02**

(52) **U.S. Cl.**

USPC ..... **D7/393**

(58) **Field of Classification Search**

USPC ..... D7/332-334, 337, 339-341, 346, 348,  
D7/349, 354, 360, 361, 391, 393-396,  
D7/402, 406; D8/300, 303, 310, 311,  
D8/315, 321; D15/89; D32/5, 6, 8, 25,  
D32/28

CPC .. A47J 27/00; A47J 36/00; A47J 36/06; A47J  
37/0623; A47J 37/0647; A47J 37/07;  
A47J 37/0713; A47J 37/0727; A47J  
37/074; A47J 37/0763; A47J 37/10; A47J  
37/101; A47J 45/06; A47J 45/061; A47J  
45/062; A47J 45/063; A47J 45/068; A47J  
45/07; A47J 45/071; A47J 45/072; A47J  
45/074; F24B 1/00; F24B 1/191; F24B  
1/20; F24C 1/00; F24C 3/00; F24C  
3/002; F24C 3/008; F24C 3/02; F24C  
3/04; F24C 3/042; F24C 3/047; F24C  
3/06; F24C 3/062; F24C 3/067; F24C  
15/16; F24C 15/168; F24C 15/26

See application file for complete search history.

(56) **References Cited**

**U.S. PATENT DOCUMENTS**

D512,602 S 12/2005 Spagnolo  
D529,334 S 10/2006 Spagnolo

**OTHER PUBLICATIONS**

Design No. 006776910-0001, Aug. 28, 2019—European Union Intellectual Property Office (EUIPO) Publication Date—Aug. 30, 2019 Owner—CRISTEL DesignView, available at www.tmdn.org/tmdsview-web/welcome (Year: 2019).\*

(Continued)

*Primary Examiner* — Mary Ann Calabrese  
*Assistant Examiner* — Natalya M Rapundalo  
(74) *Attorney, Agent, or Firm* — Craft Chu PLLC;  
Andrew W. Chu

(57)

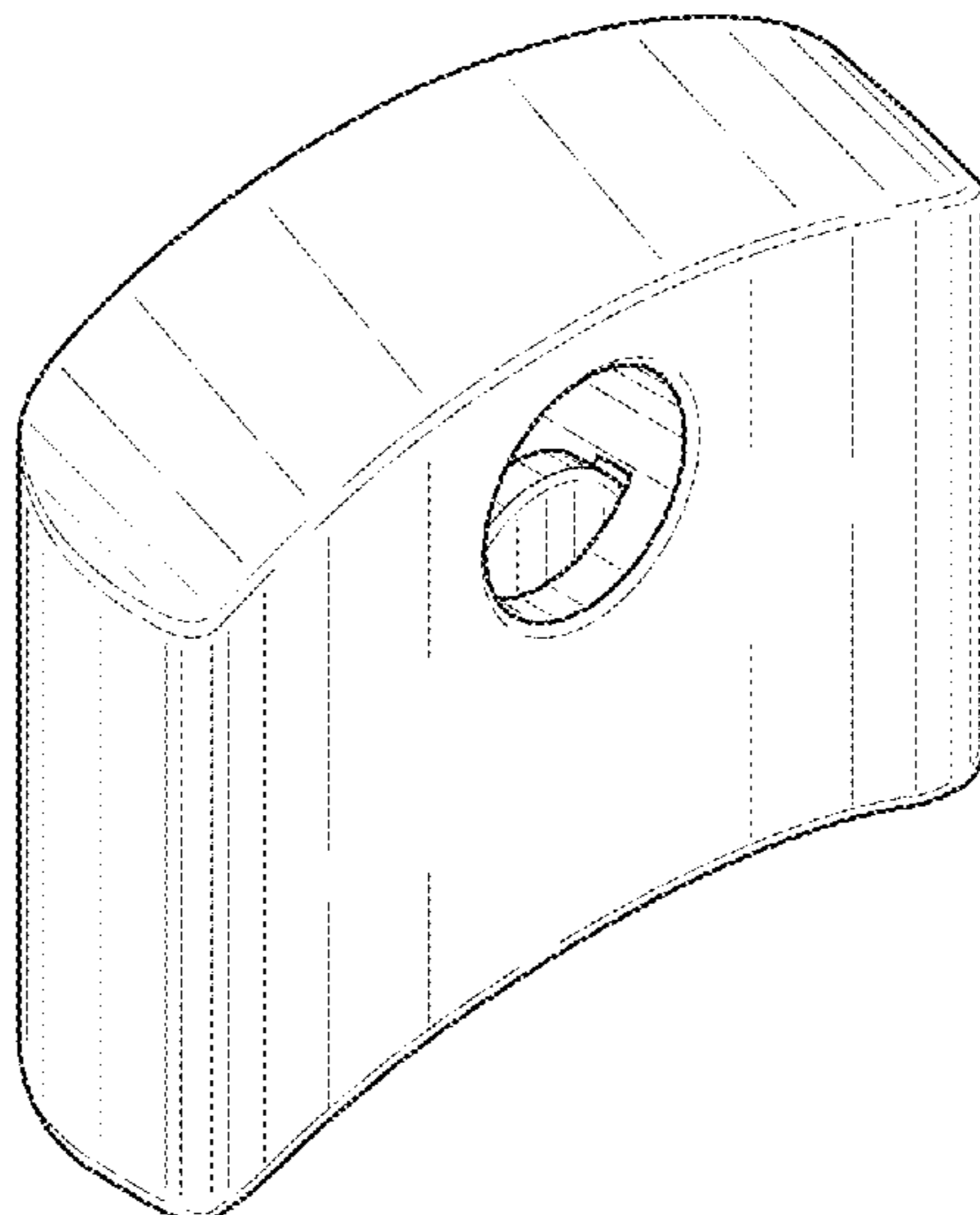
**CLAIM**

The ornamental design for a pan lifter, as shown and described.

**DESCRIPTION**

FIG. 1 is an upper perspective view of the pan lifter showing my design;  
FIG. 2 is a top plan view thereof;  
FIG. 3 is a bottom plan view thereof;  
FIG. 4 is a side elevation view thereof;  
FIG. 5 is an opposite side elevation view thereof;  
FIG. 6 is an end elevation view thereof; and,  
FIG. 7 is an opposite end elevation view thereof.  
The pan lifter is a handheld device for use in the kitchen. The interior components in broken lines in FIG. 7 form no part of the claimed design.

**1 Claim, 2 Drawing Sheets**



(56)

**References Cited**

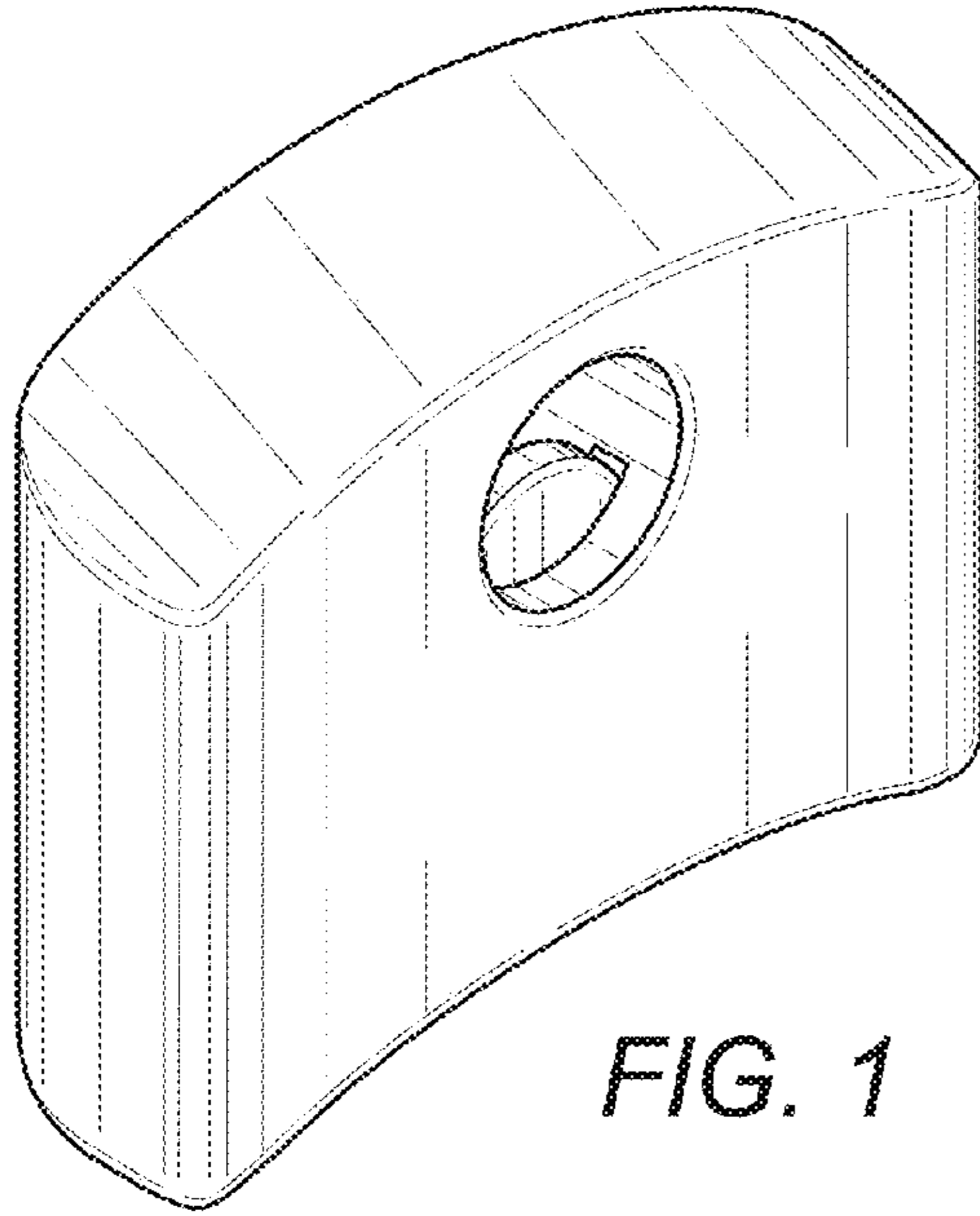
U.S. PATENT DOCUMENTS

D839,665 S \* 2/2019 Munari ..... D7/393

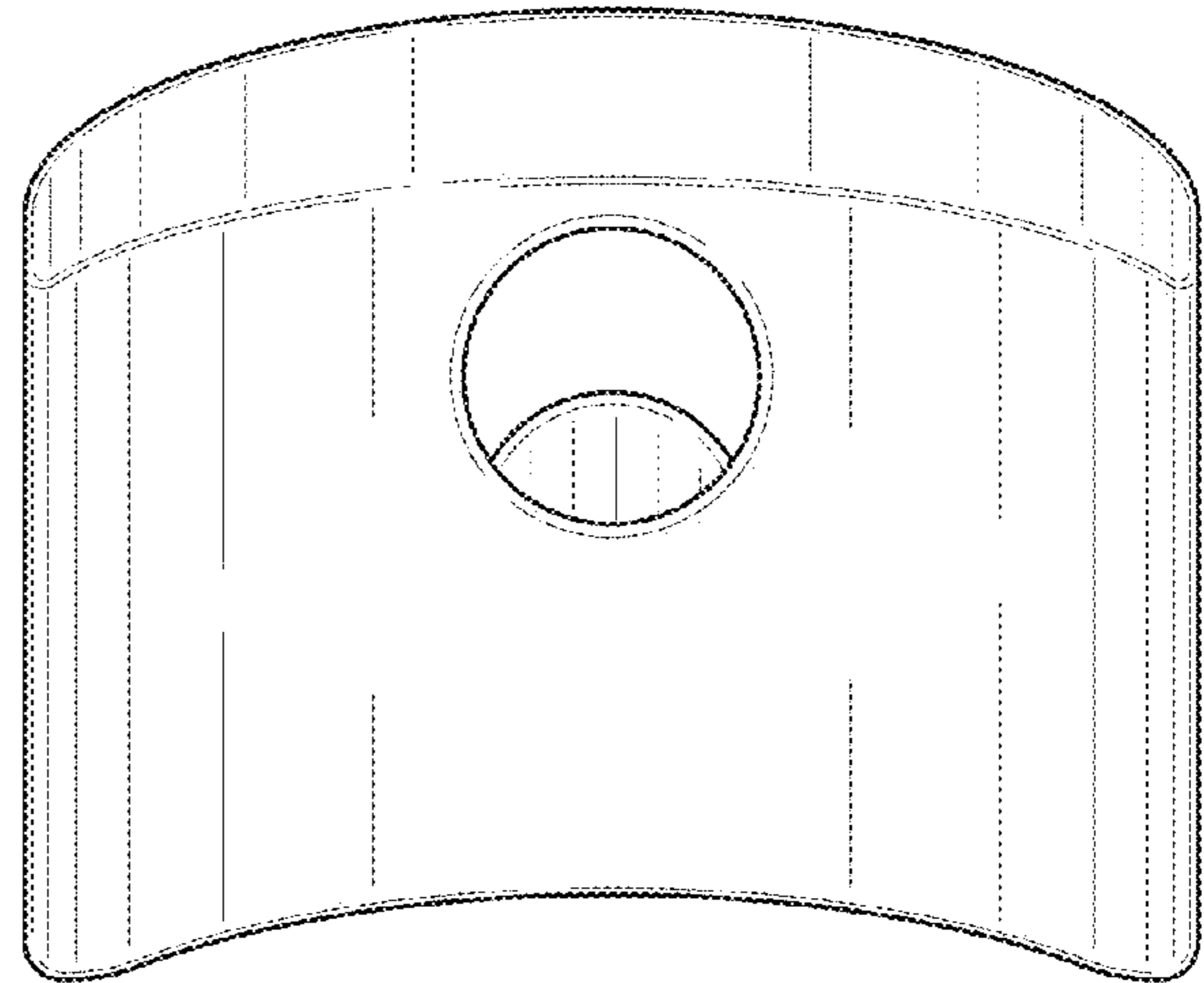
OTHER PUBLICATIONS

Cristel Detachable Side Handle, first available Mar. 5, 2020, Amazon, [online], [site visited Mar. 3, 2021], Available from internet URL: <https://www.amazon.com/Detachable-Stainless-Mechanism-Casteline-collection/dp/B085HMNDXQ> (Year: 2020).\*

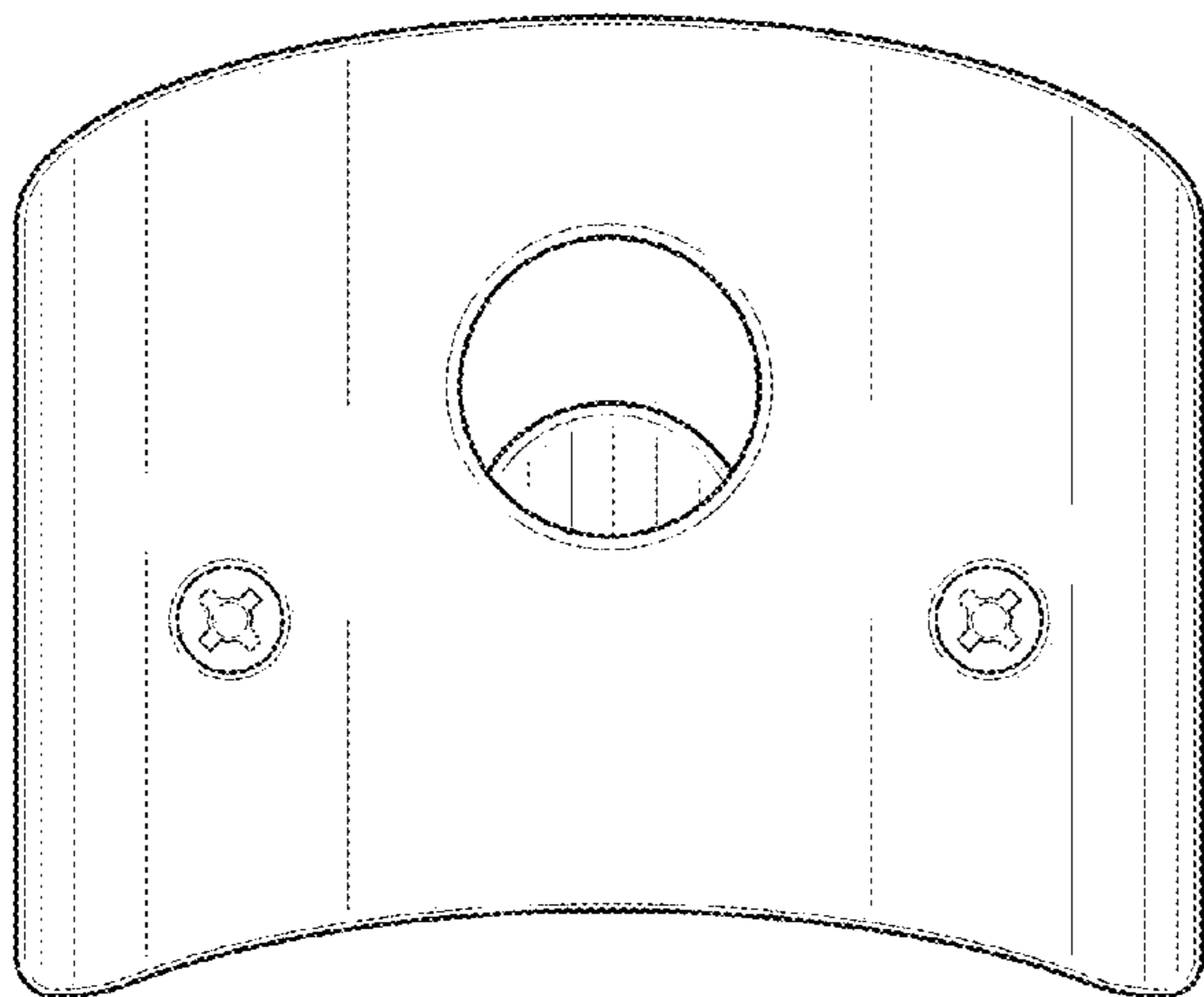
\* cited by examiner



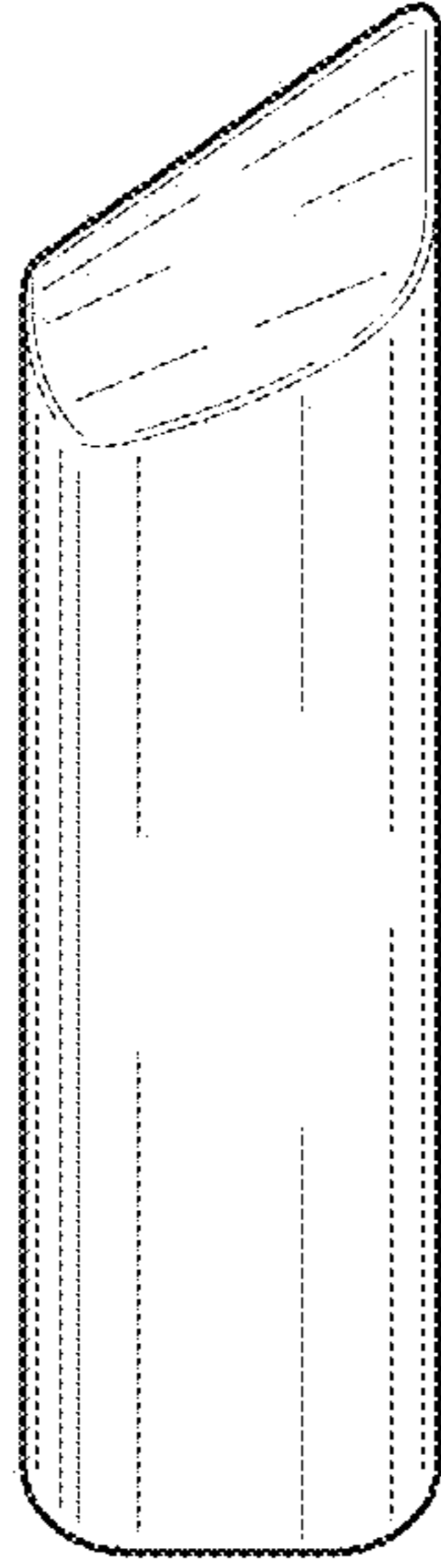
*FIG. 1*



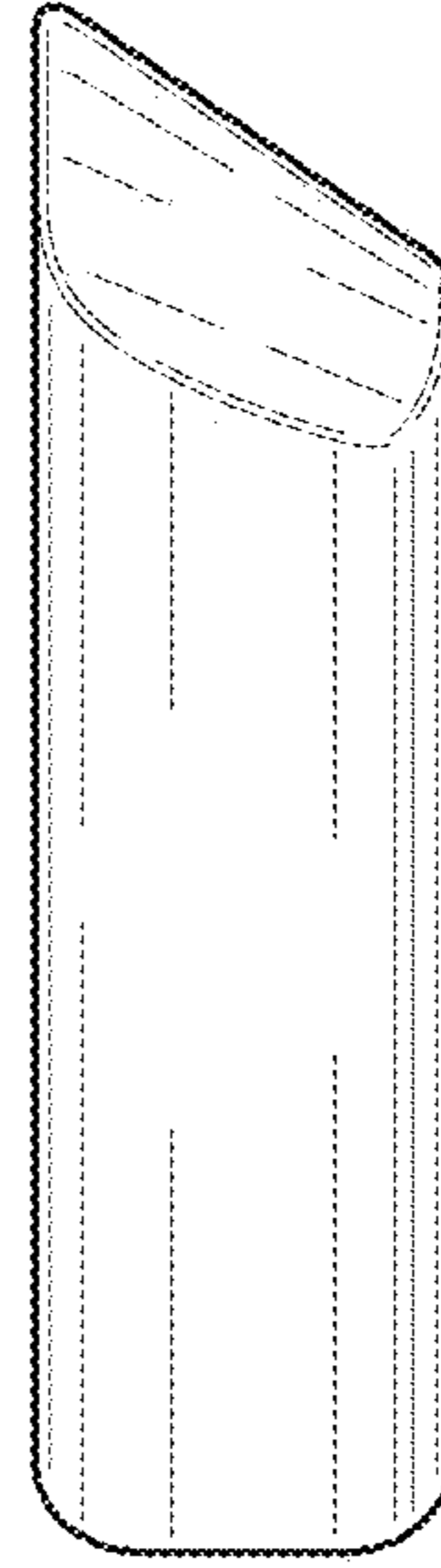
*FIG. 2*



*FIG. 3*



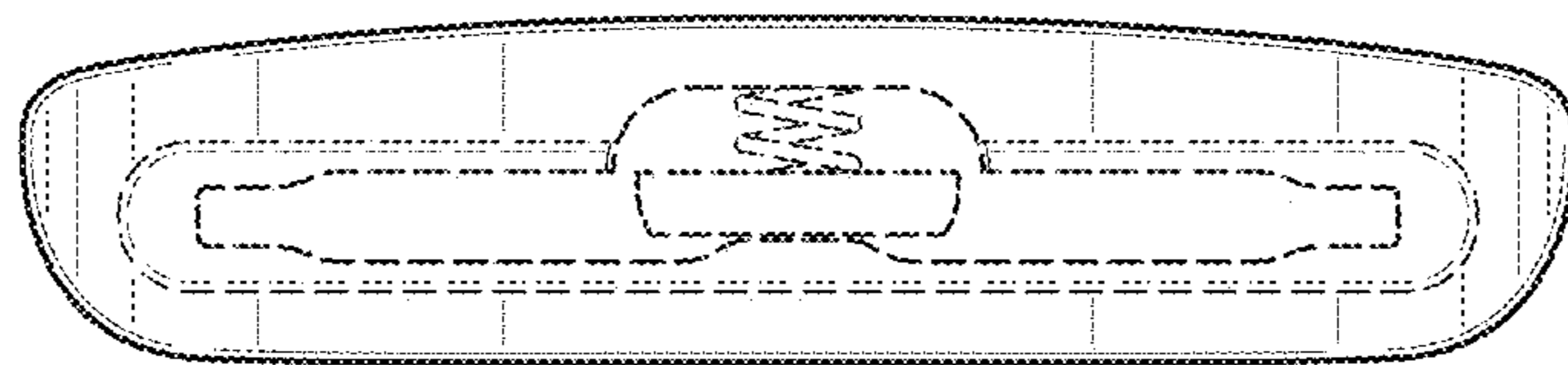
*FIG. 4*



*FIG. 5*



*FIG. 6*



*FIG. 7*