



US00D923397S

(12) **United States Design Patent**
Lin et al.

(10) **Patent No.:** **US D923,397 S**
(45) **Date of Patent:** **** Jun. 29, 2021**

(54) **BOTTLE LID**

(71) Applicant: **FUJIAN SPD E-COMMERCE CO., LTD.**, Fujian (CN)

(72) Inventors: **Xiaoqiang Lin**, Fujian (CN); **Honghui Chen**, Fujian (CN)

(73) Assignee: **FUJIAN SPD E-COMMERCE CO., LTD.**, Fujian (CN)

(**) Term: **15 Years**

(21) Appl. No.: **29/757,528**

(22) Filed: **Nov. 6, 2020**

(51) **LOC (13) Cl.** **07-99**

(52) **U.S. Cl.**

USPC **D7/392.1**; D7/396.2; D9/449

(58) **Field of Classification Search**

USPC D9/414, 434, 435, 439, 440, 441, D9/443-445, 447-455, 499, 501, D9/503-505, 516, 517, 529, 682, 685, D9/686; D7/387, 391, 392, 392.1, 396.1, D7/396.2, 396.4, 403, 507, 509-511, 538, D7/629, 900; D3/202, 203.2, 294, 318; D28/91, 91.1

CPC .. A61J 1/00; A61J 1/1412; B65D 1/00; B65D 1/02; B65D 1/10; B65D 1/46; B65D 5/46; B65D 41/00; B65D 41/38; B65D 41/56; B65D 41/62; B65D 47/00; B65D 47/06; B65D 47/08; B65D 2251/00; B65D 2543/00046; B65D 2543/00092; B65D 2543/00296

See application file for complete search history.

(56) **References Cited**

U.S. PATENT DOCUMENTS

D538,110 S * 3/2007 Kitamura D7/608
D539,607 S * 4/2007 Lapsker D7/510

D590,661 S * 4/2009 Kitamura D7/511
D619,418 S * 7/2010 Nezu D7/510
D632,522 S * 2/2011 Wahl D7/396.2
D634,972 S * 3/2011 Staton D7/392.1
RE42,484 E * 6/2011 Kitamura D7/510
D655,581 S * 3/2012 Kotani D7/608
D710,653 S * 8/2014 Goto D7/608
D748,949 S * 2/2016 Long, Sr. D7/590
D755,562 S * 5/2016 Lindsay D7/392.1
D770,222 S * 11/2016 Boroski D9/449
D780,517 S * 3/2017 Boroski D7/511
D804,904 S * 12/2017 Noveletsky D7/510
D808,213 S * 1/2018 Lown D7/396.2
D811,879 S 3/2018 Way
D820,635 S * 6/2018 Hammer D7/392.1
D836,985 S * 1/2019 Otto D7/510
D840,187 S * 2/2019 Sams D7/392
D846,392 S * 4/2019 Markey D9/447
D848,787 S * 5/2019 Tatsukawa D7/392

(Continued)

Primary Examiner — Wendy L Arminio

(74) *Attorney, Agent, or Firm* — ScienBiziP, P.C.

(57) **CLAIM**

The ornamental design for a bottle lid, as shown and described.

DESCRIPTION

FIG. 1 is a front and top perspective view of a bottle lid, showing our design.

FIG. 2 is a rear and top perspective view thereof.

FIG. 3 is a front elevation view thereof.

FIG. 4 is a rear elevation view thereof.

FIG. 5 is a left side elevation thereof.

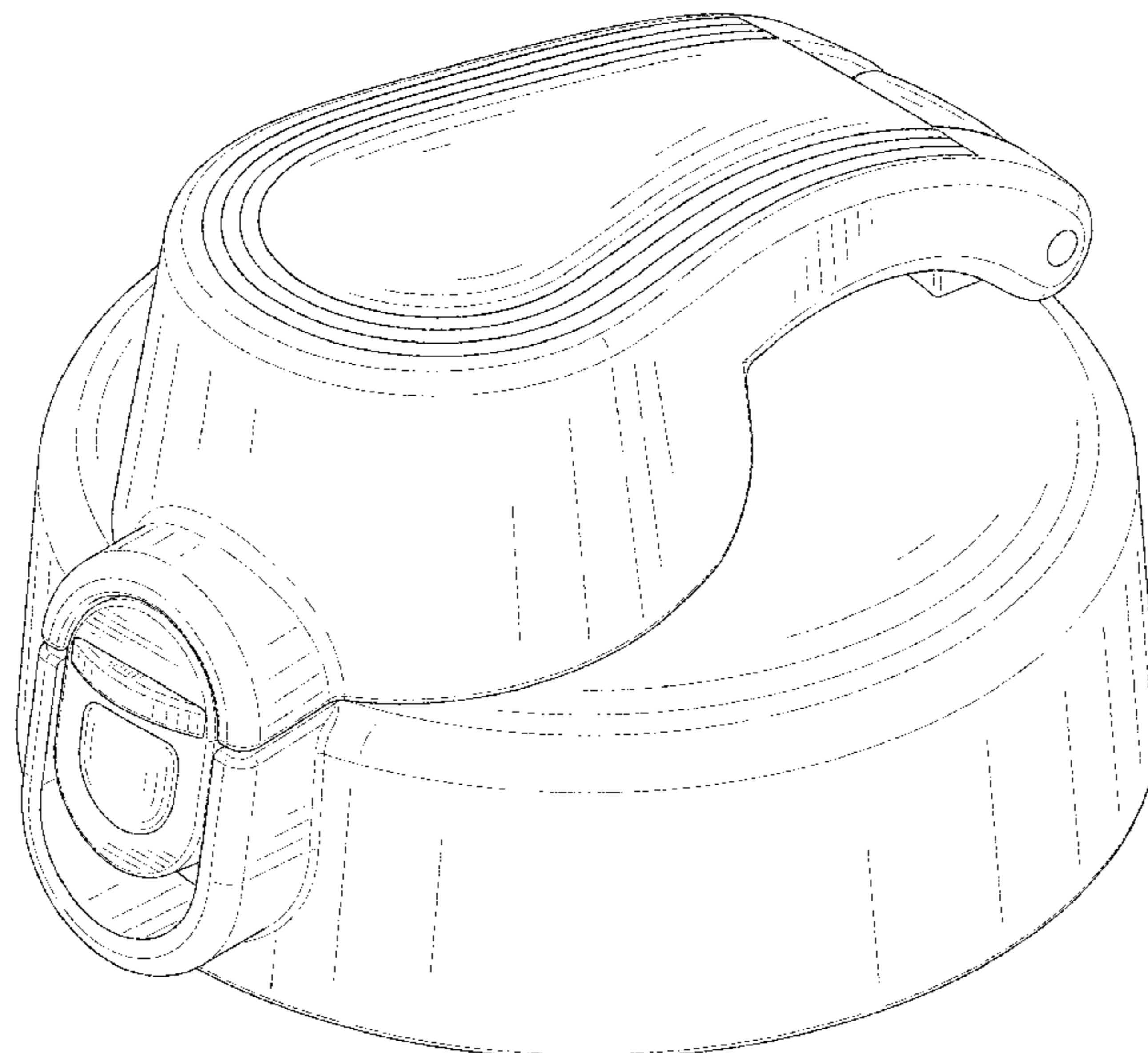
FIG. 6 is a right side elevation thereof.

FIG. 7 is a top plan view thereof; and,

FIG. 8 is a bottom plan view thereof.

The broken lines depict portions of the bottle lid that form no part of the claimed design, with the outermost circular broken line in FIG. 8 also forming the boundary to the claim.

1 Claim, 8 Drawing Sheets



(56)

References Cited

U.S. PATENT DOCUMENTS

D853,238 S	7/2019	Yao	
D853,784 S *	7/2019	Wu D7/392.1
D869,230 S *	12/2019	Hao D9/449
D896,024 S *	9/2020	Wang D7/392.1
D902,648 S *	11/2020	Wang D7/392.1
D909,128 S *	2/2021	Hu D7/396.2
D914,456 S *	3/2021	Lin D7/511

* cited by examiner

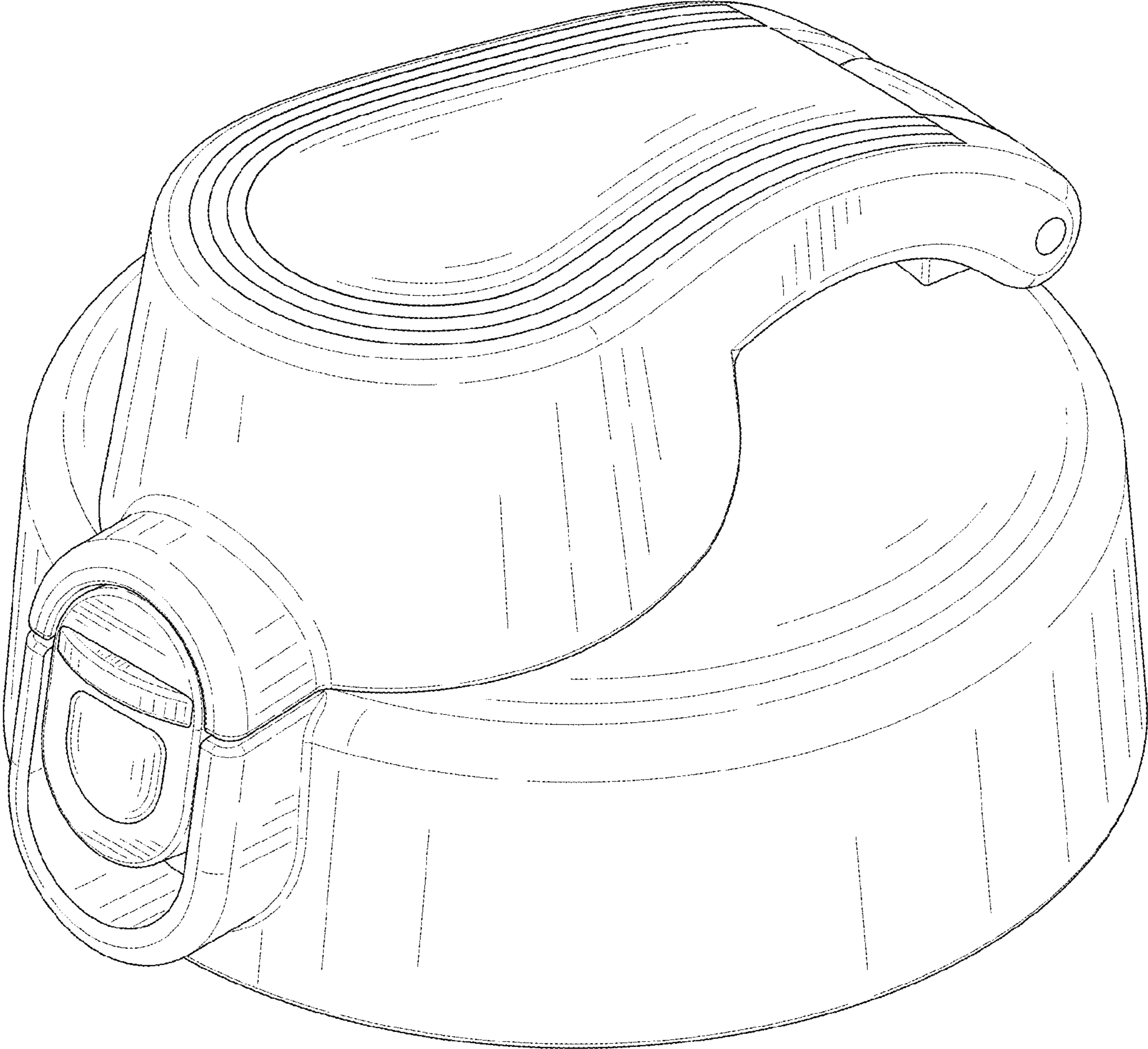


FIG. 1

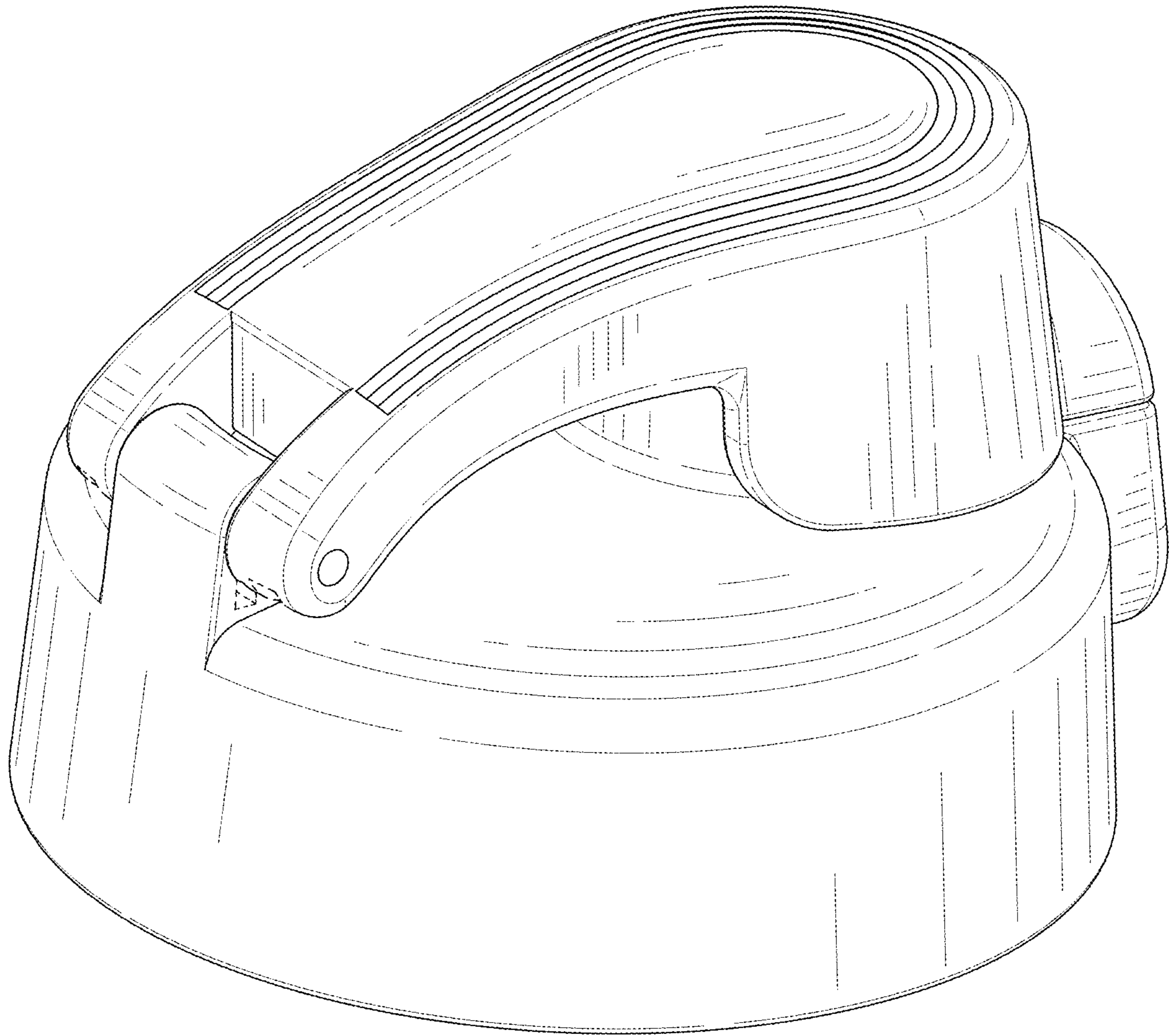


FIG. 2

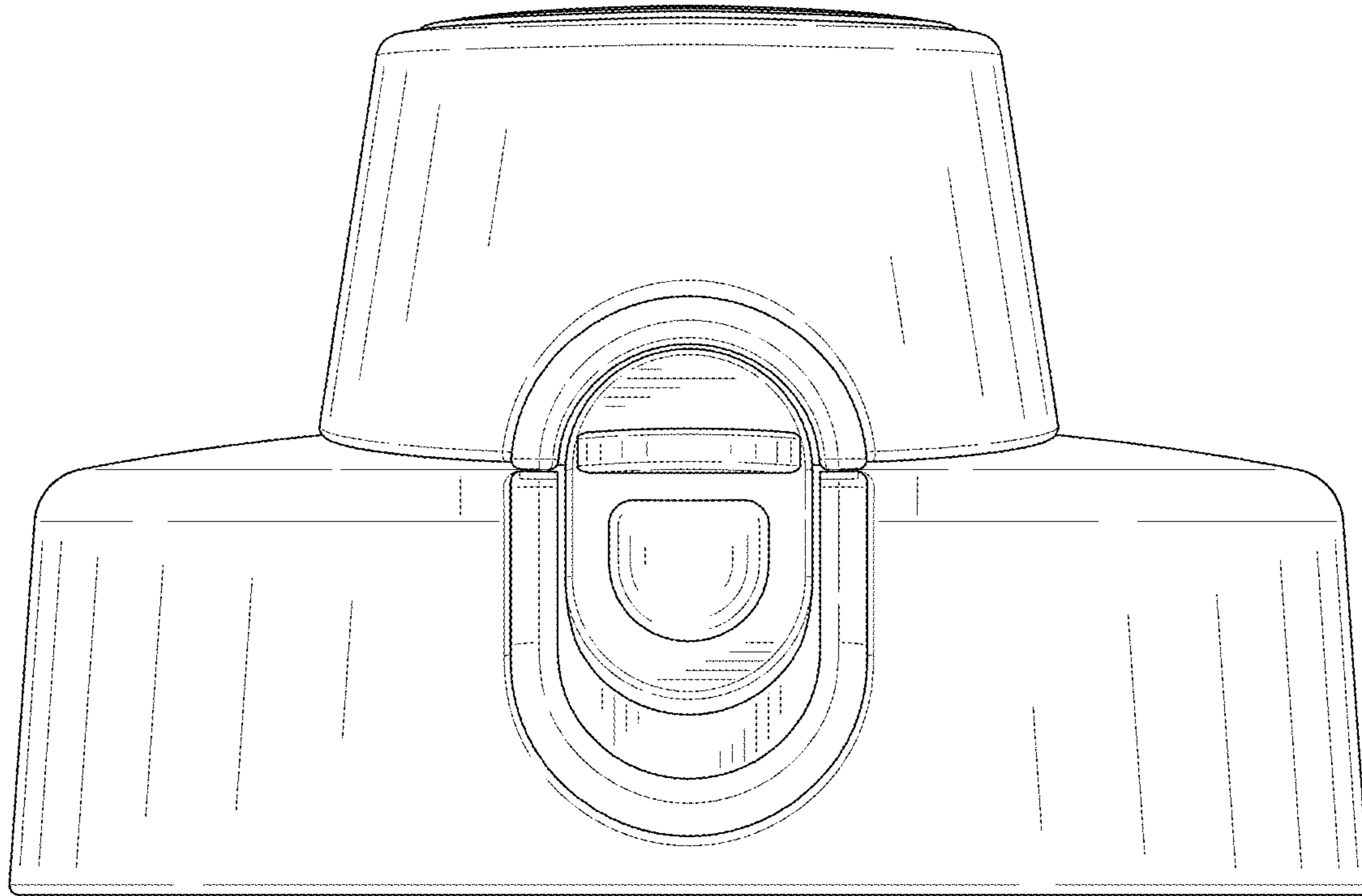


FIG. 3

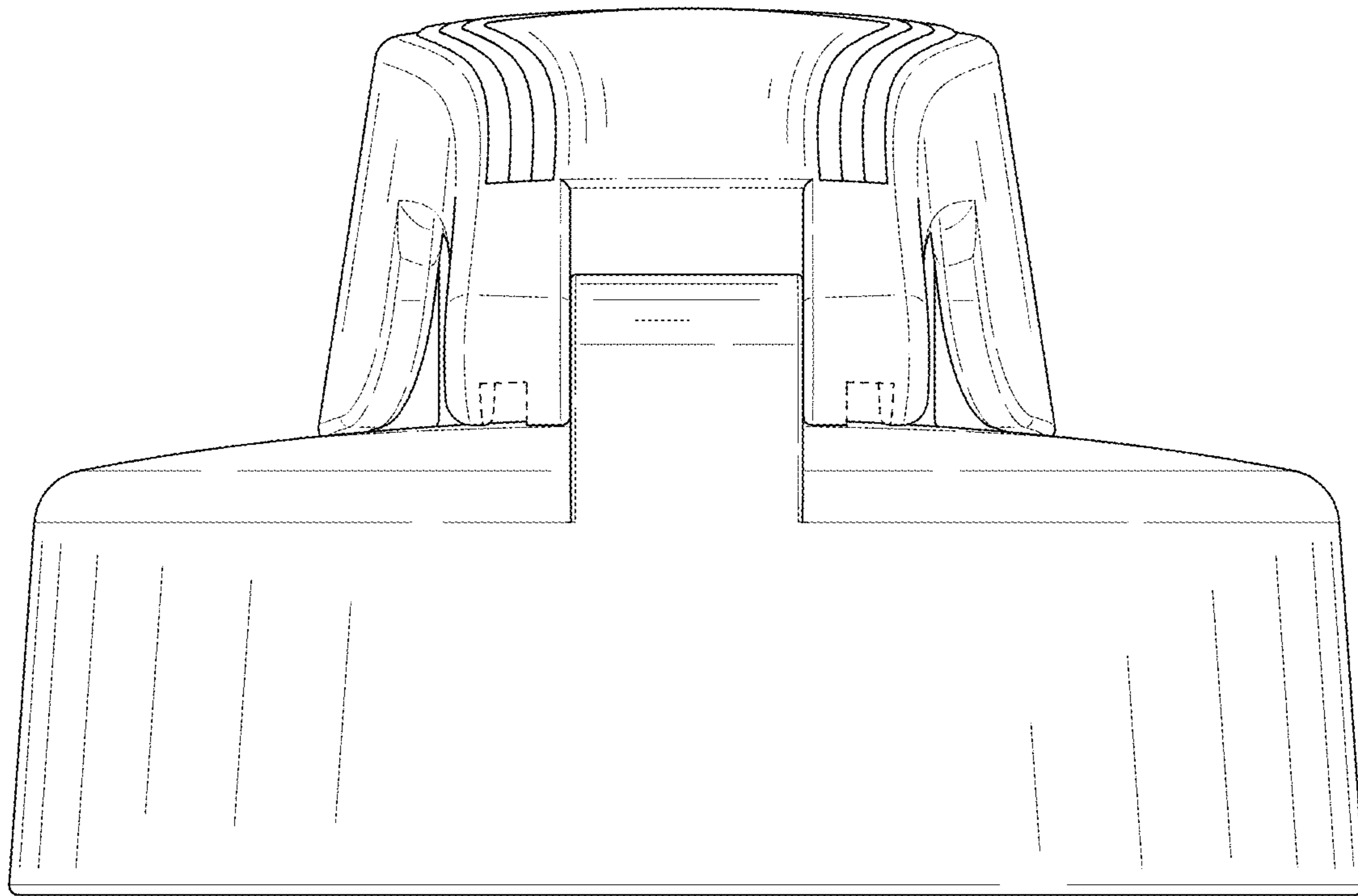


FIG. 4

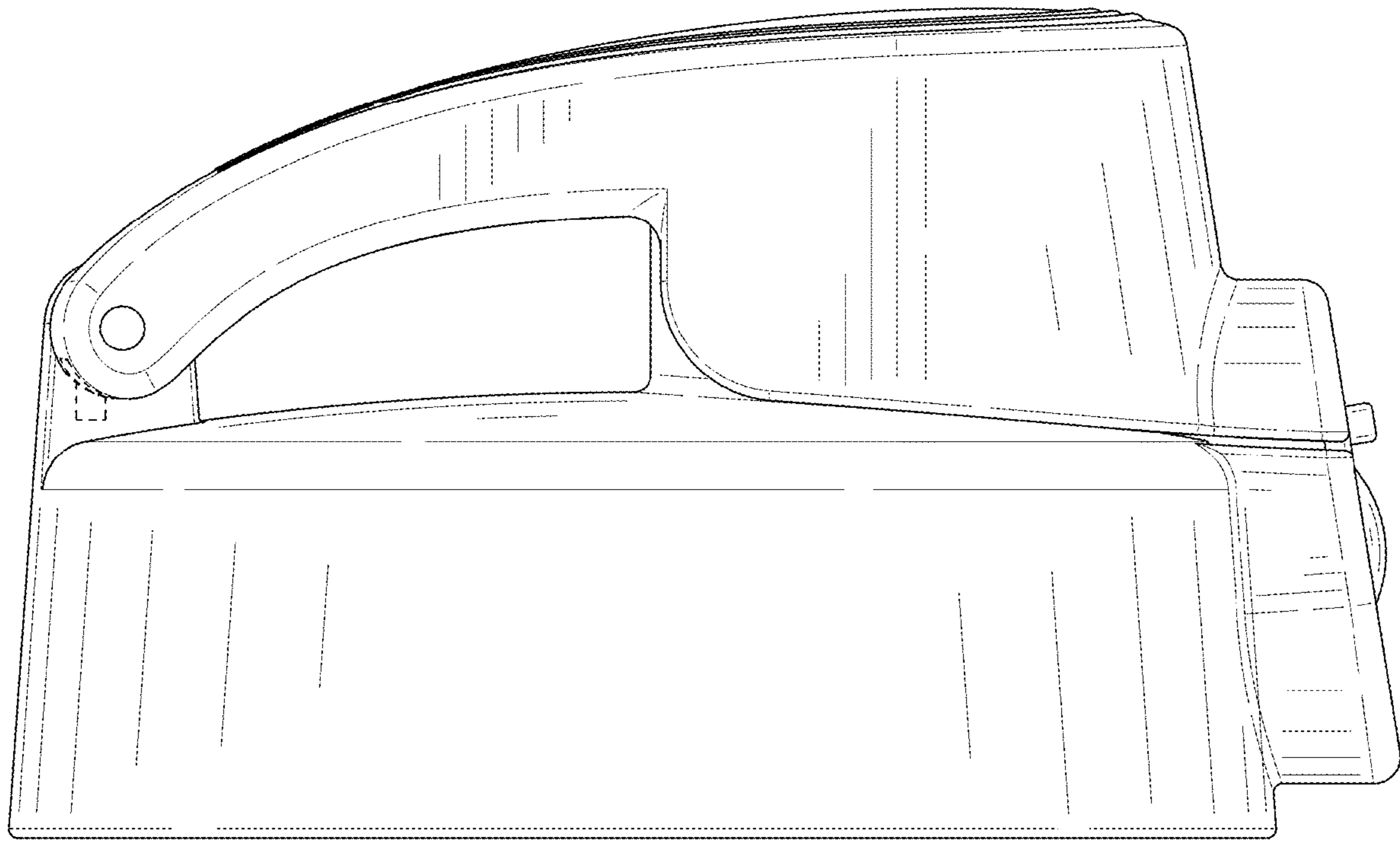


FIG. 5

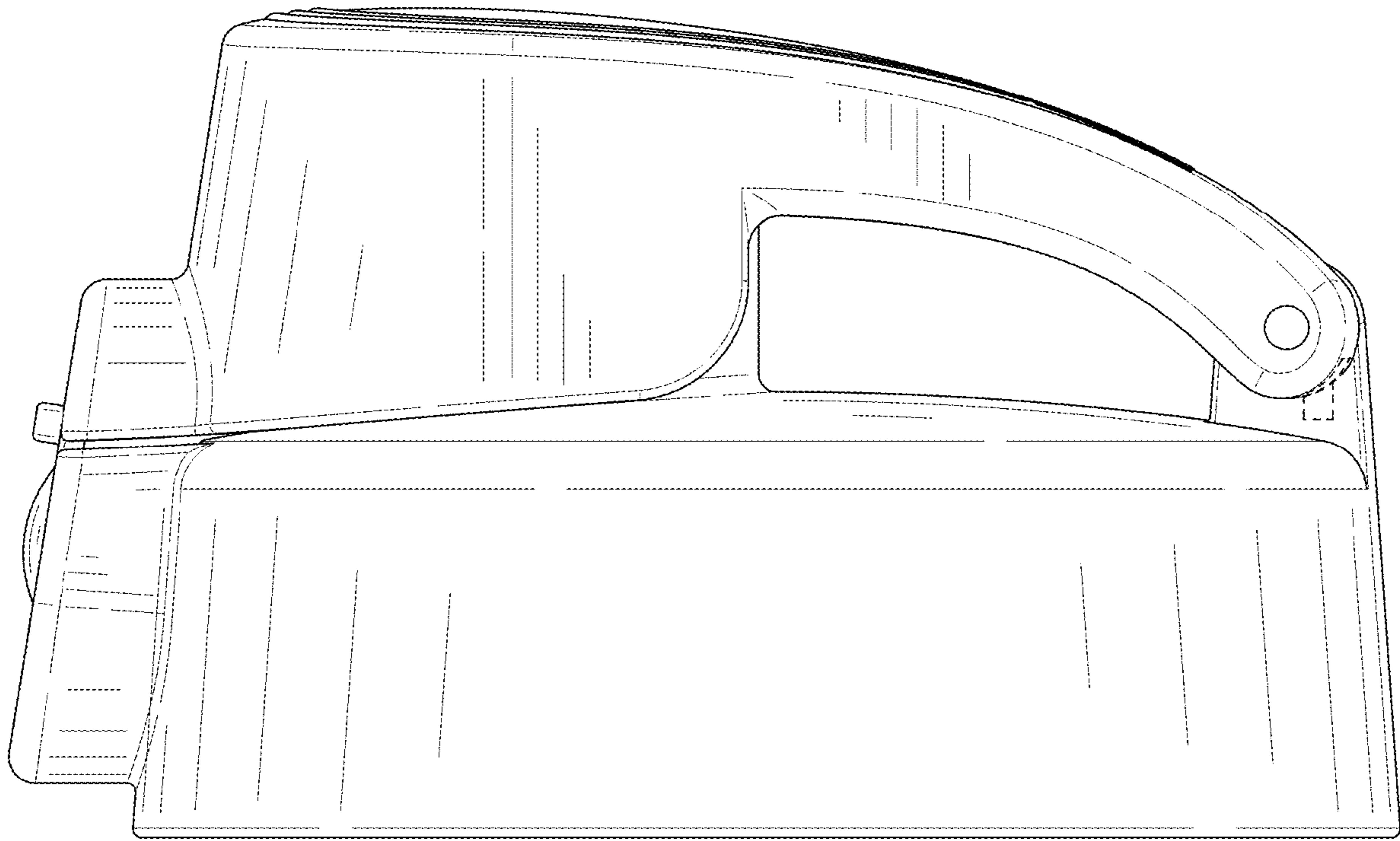


FIG. 6

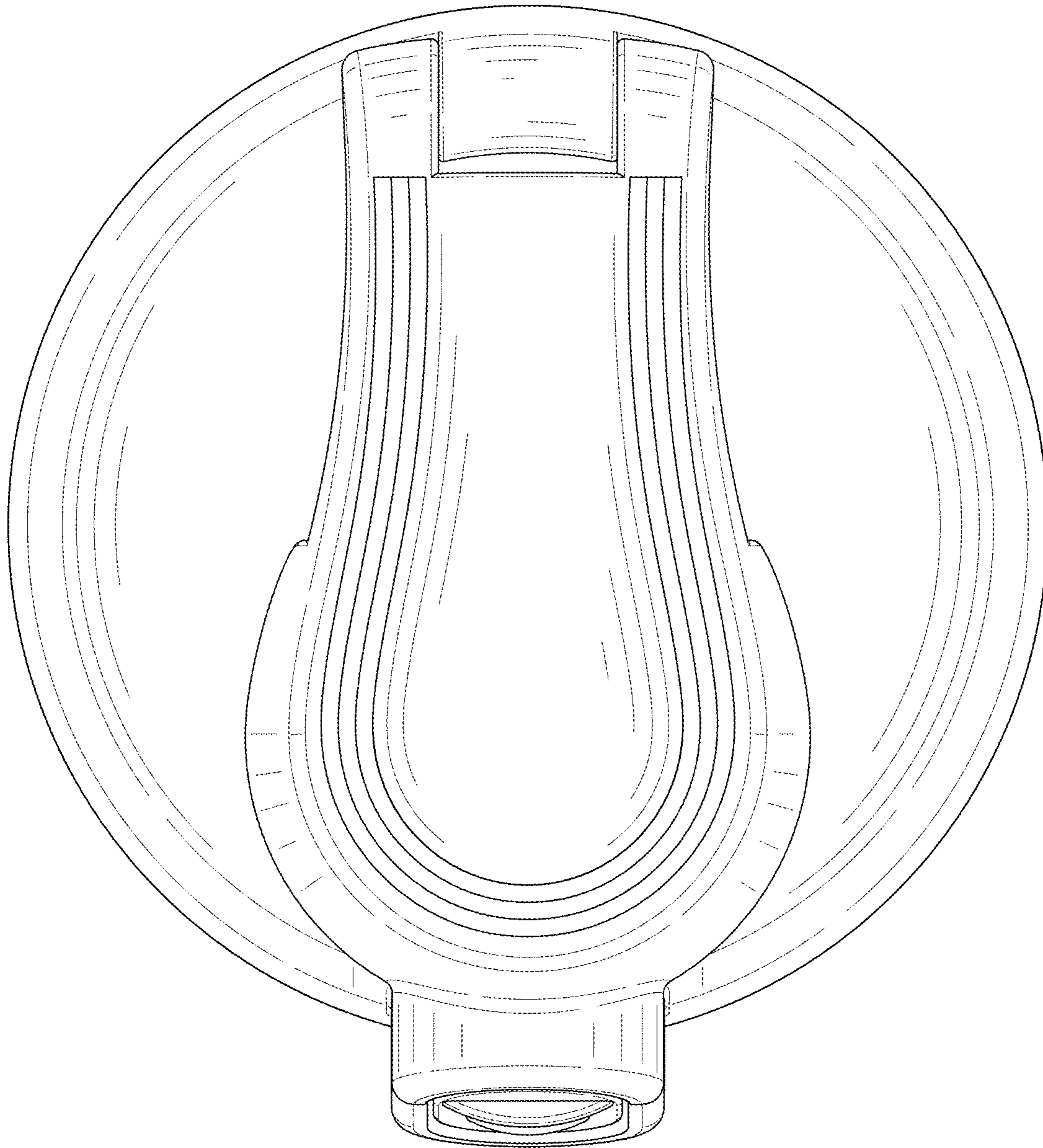


FIG. 7

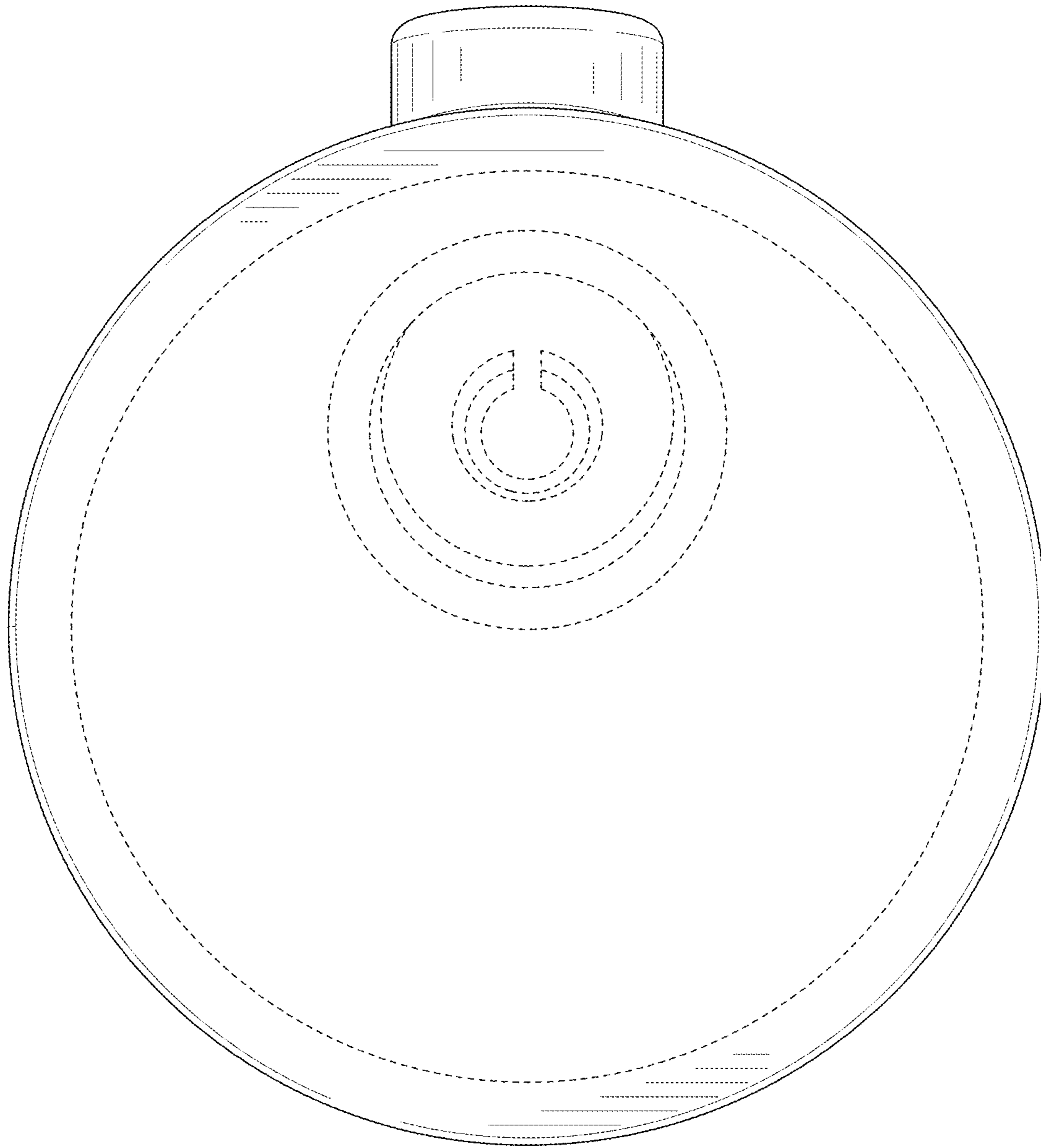


FIG. 8