



US00D923396S

(12) **United States Design Patent**
Lin et al.

(10) **Patent No.:** **US D923,396 S**
(45) **Date of Patent:** **** Jun. 29, 2021**

(54) **BOTTLE LID**

(71) Applicant: **FUJIAN SPD E-COMMERCE CO., LTD.**, Fujian (CN)

(72) Inventors: **Xiaoqiang Lin**, Fujian (CN); **Honghui Chen**, Fujian (CN)

(73) Assignee: **FUJIAN SPD E-COMMERCE CO., LTD.**, Fujian (CN)

(**) Term: **15 Years**

(21) Appl. No.: **29/757,286**

(22) Filed: **Nov. 4, 2020**

(51) **LOC (13) Cl.** **07-01**

(52) **U.S. Cl.**
USPC **D7/392.1**

(58) **Field of Classification Search**
USPC D7/392, 392.1, 396.1, 396.2, 397, 509,
D7/510, 533, 619.1, 622; D9/435, 443,
D9/516
CPC B65D 47/066; B65D 47/2037; A47G
19/2272

See application file for complete search history.

(56) **References Cited**

U.S. PATENT DOCUMENTS

D652,256 S * 1/2012 Eyal D7/510
D683,581 S * 6/2013 Archer D7/392.1
D700,014 S * 2/2014 Zeanah D7/510
D729,569 S * 5/2015 Herbst D7/510
D811,162 S * 2/2018 Rane D7/396.2

D811,879 S 3/2018 Way
D853,238 S 7/2019 Yao
D862,985 S * 10/2019 Backs D7/511
D870,508 S * 12/2019 Palkon D7/392.1
D897,760 S * 10/2020 Feng D7/392.1
D899,850 S * 10/2020 Xie D7/392.1
D911,101 S * 2/2021 Fang D7/392.1
2006/0226110 A1 * 10/2006 Choi A45F 3/20
215/228
2010/0193462 A1 * 8/2010 Roth B65D 81/18
215/229
2012/0187075 A1 * 7/2012 El-Saden B65D 51/242
215/389

* cited by examiner

Primary Examiner — Kendra Leslie Hamilton

(74) *Attorney, Agent, or Firm* — ScienBiziP, P.C.

(57) **CLAIM**

The ornamental design for a bottle lid, as shown and described.

DESCRIPTION

FIG. 1 is a top perspective view of a bottle lid, showing our design.

FIG. 2 is a front elevation view thereof.

FIG. 3 is a rear elevation view thereof.

FIG. 4 is a left side elevation thereof.

FIG. 5 is a right side elevation thereof.

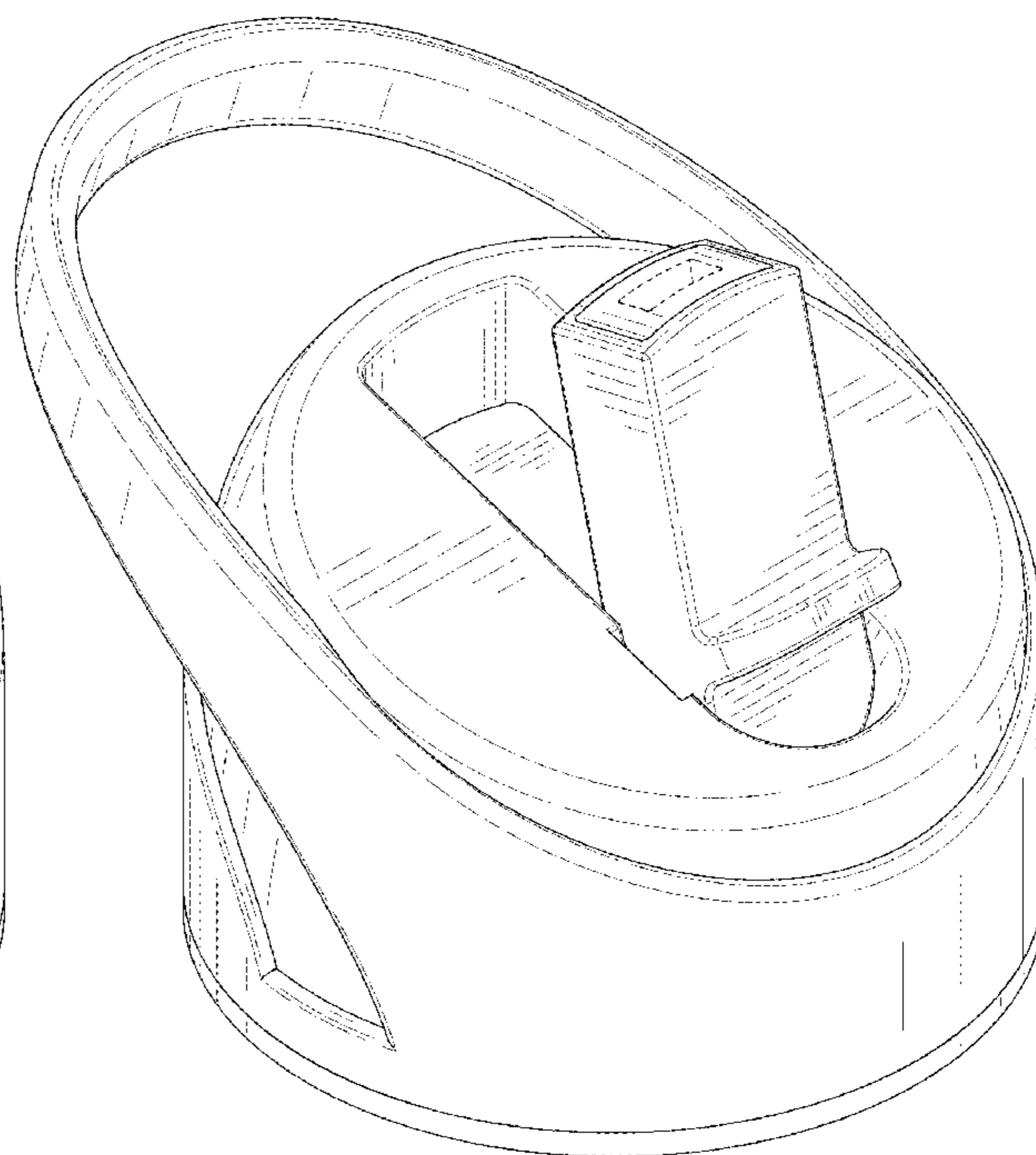
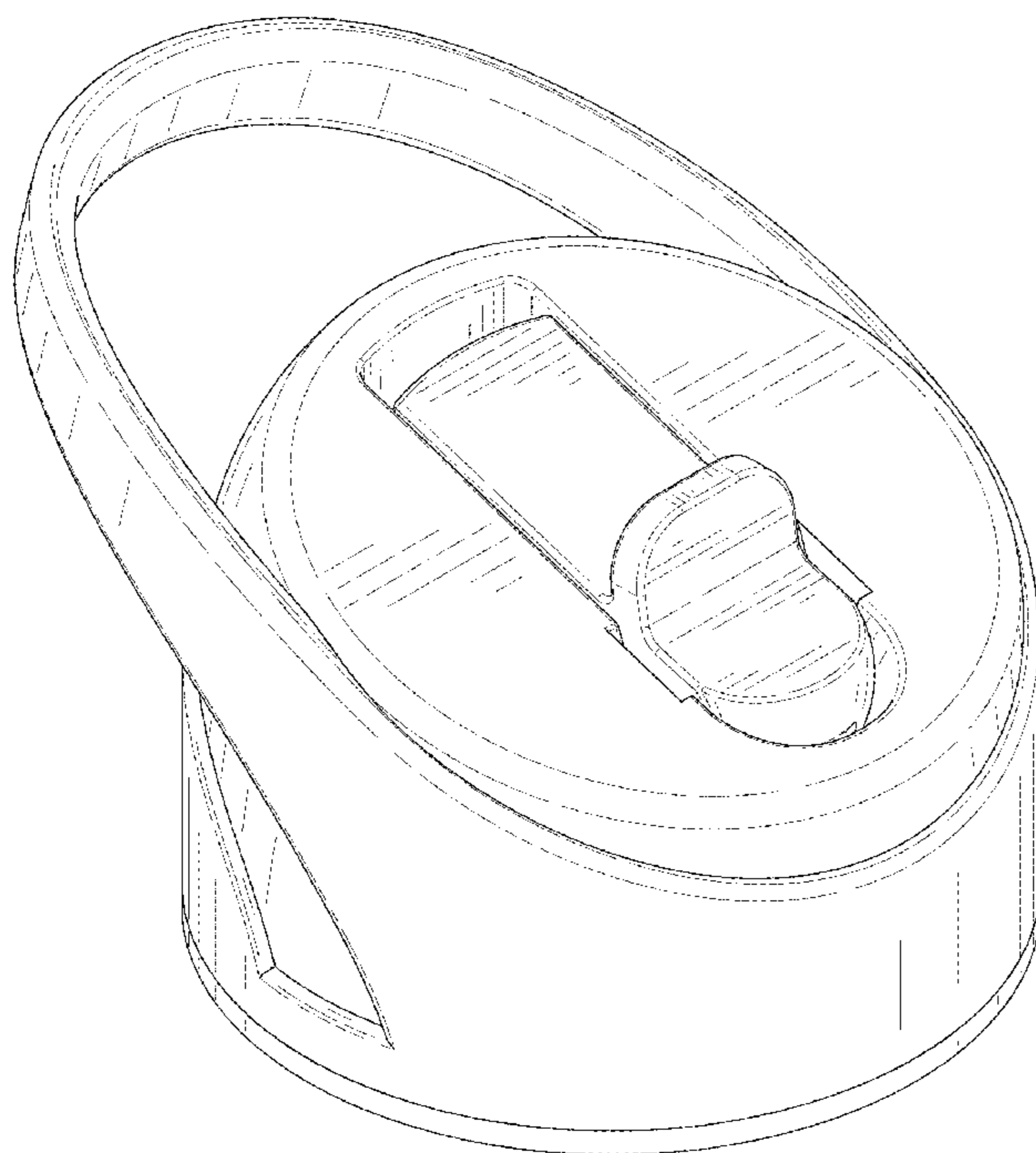
FIG. 6 is a top plan view thereof.

FIG. 7 is a bottom plan view thereof; and,

FIG. 8 is a perspective view of the bottle lid of FIG. 1 wherein a nozzle of the bottle lid is open.

The broken lines in the drawings depict portions of the bottle lid that form no part of the claimed design.

1 Claim, 8 Drawing Sheets



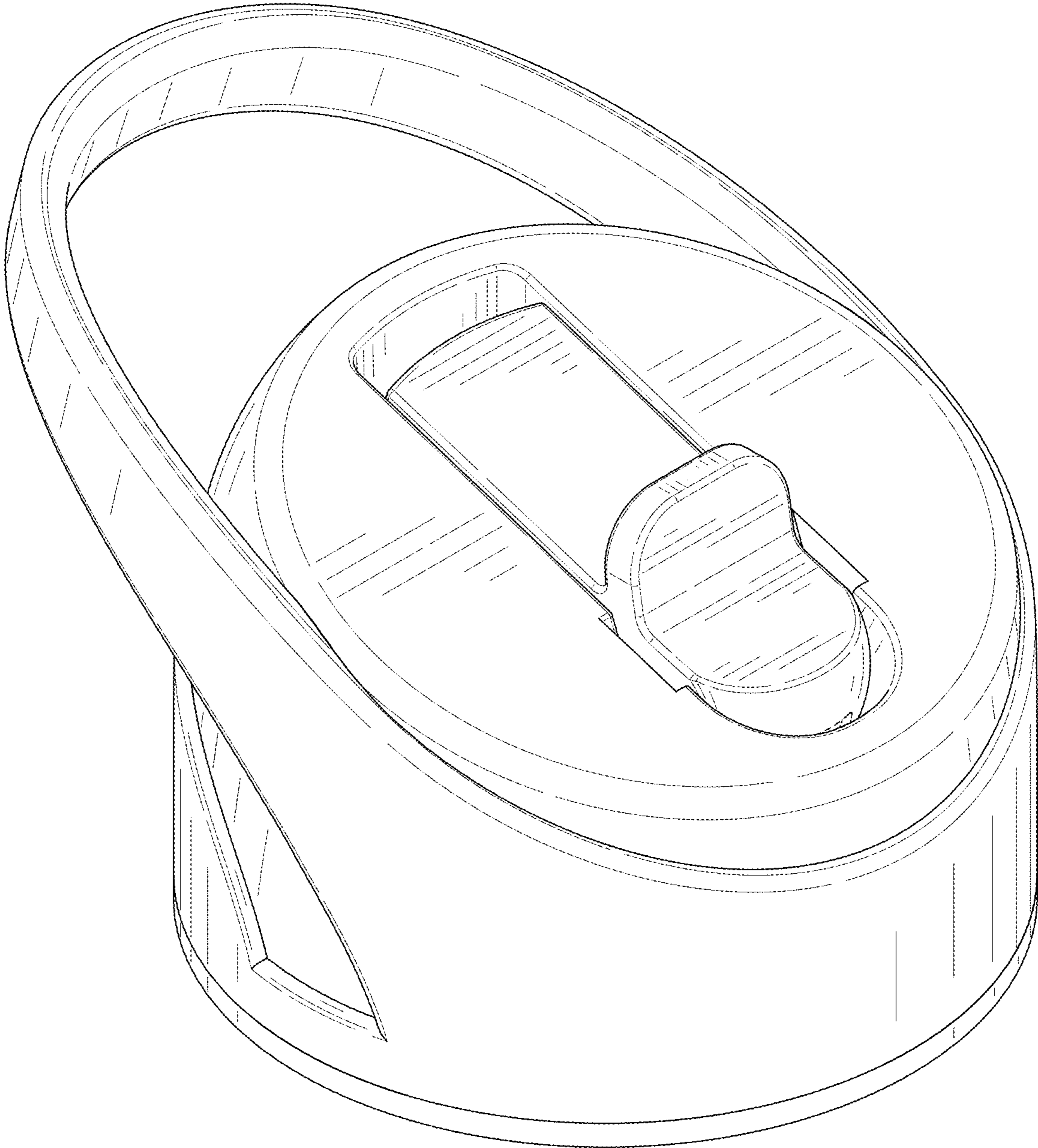


FIG. 1

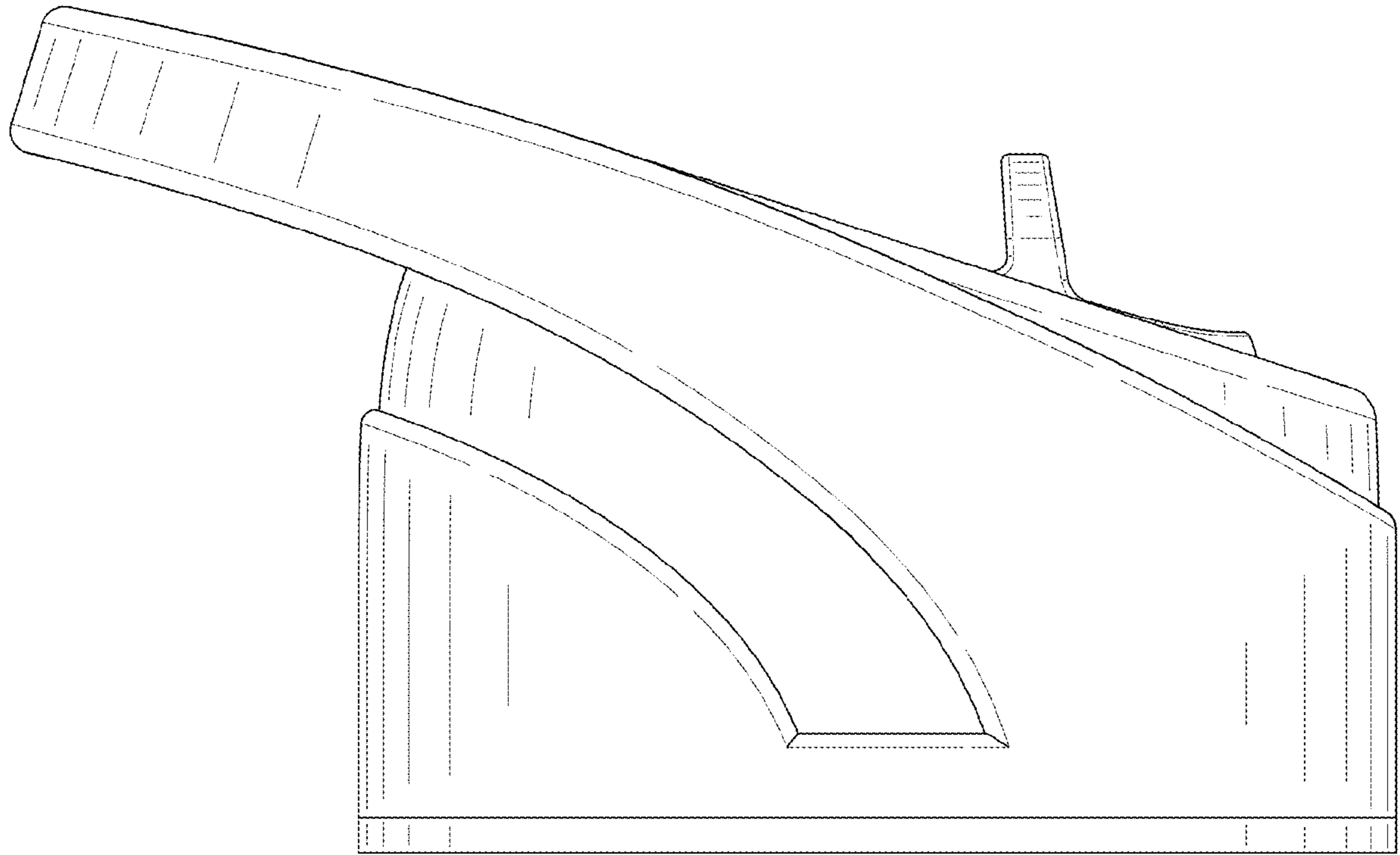


FIG. 2

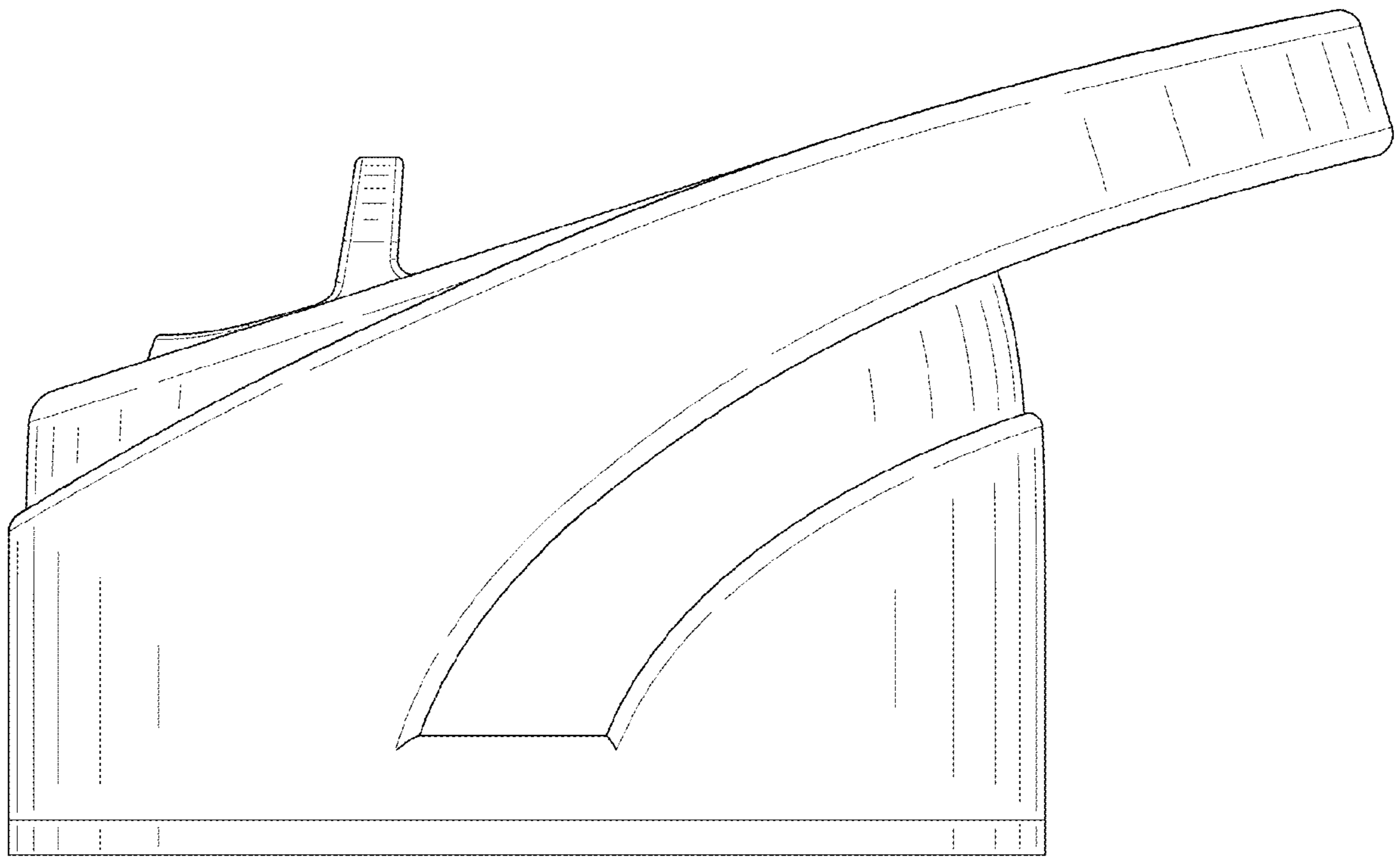


FIG. 3

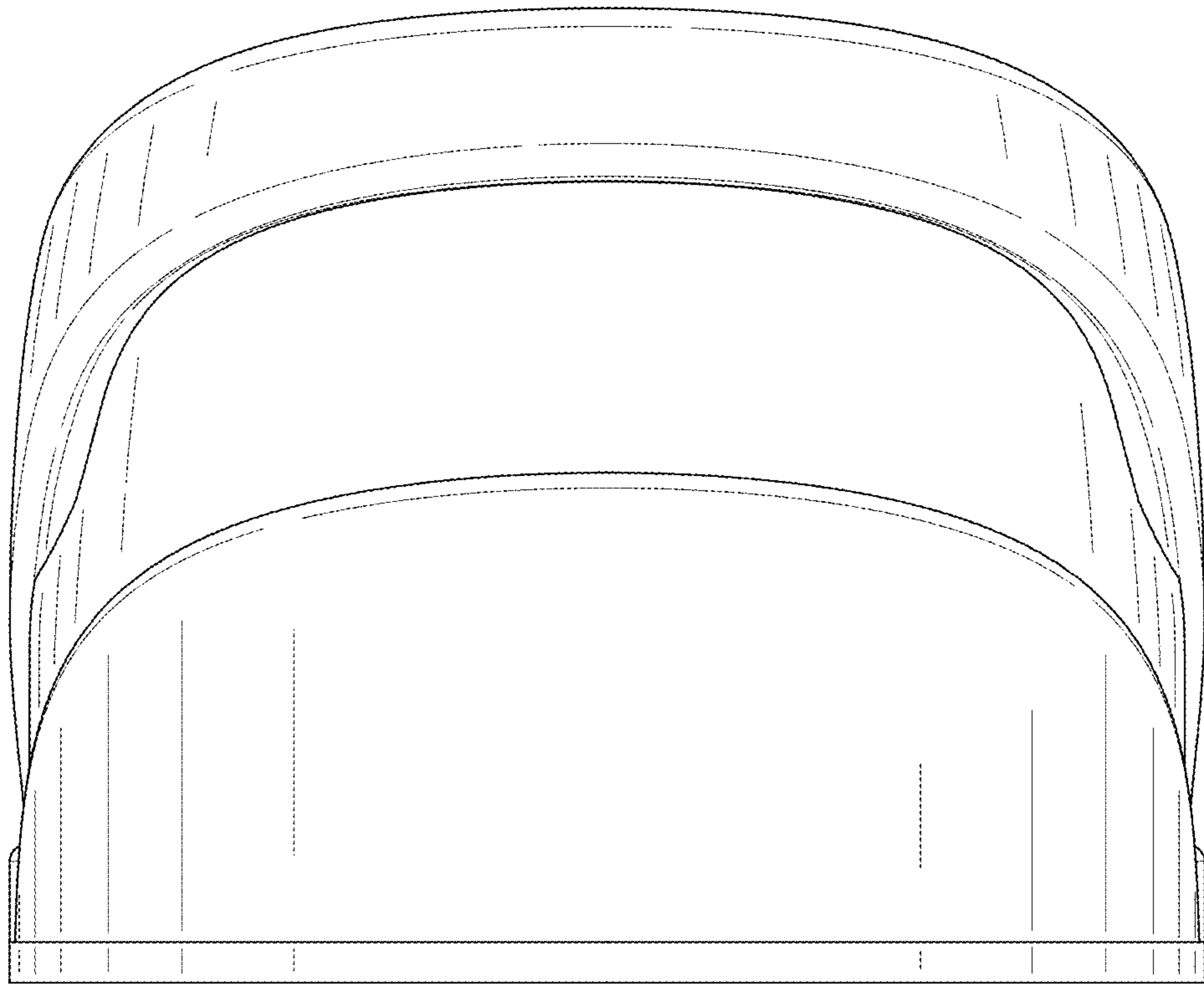


FIG. 4

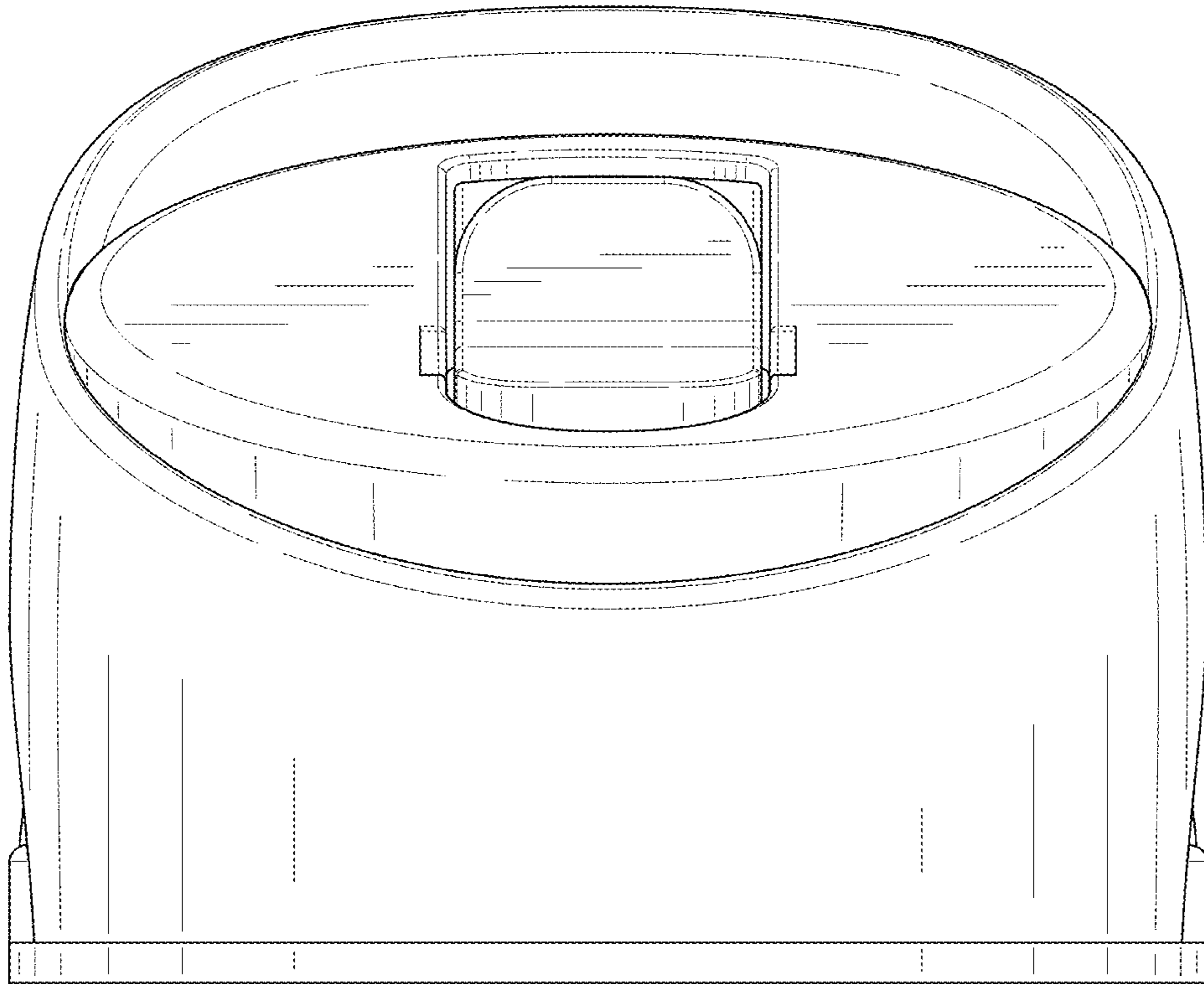


FIG. 5

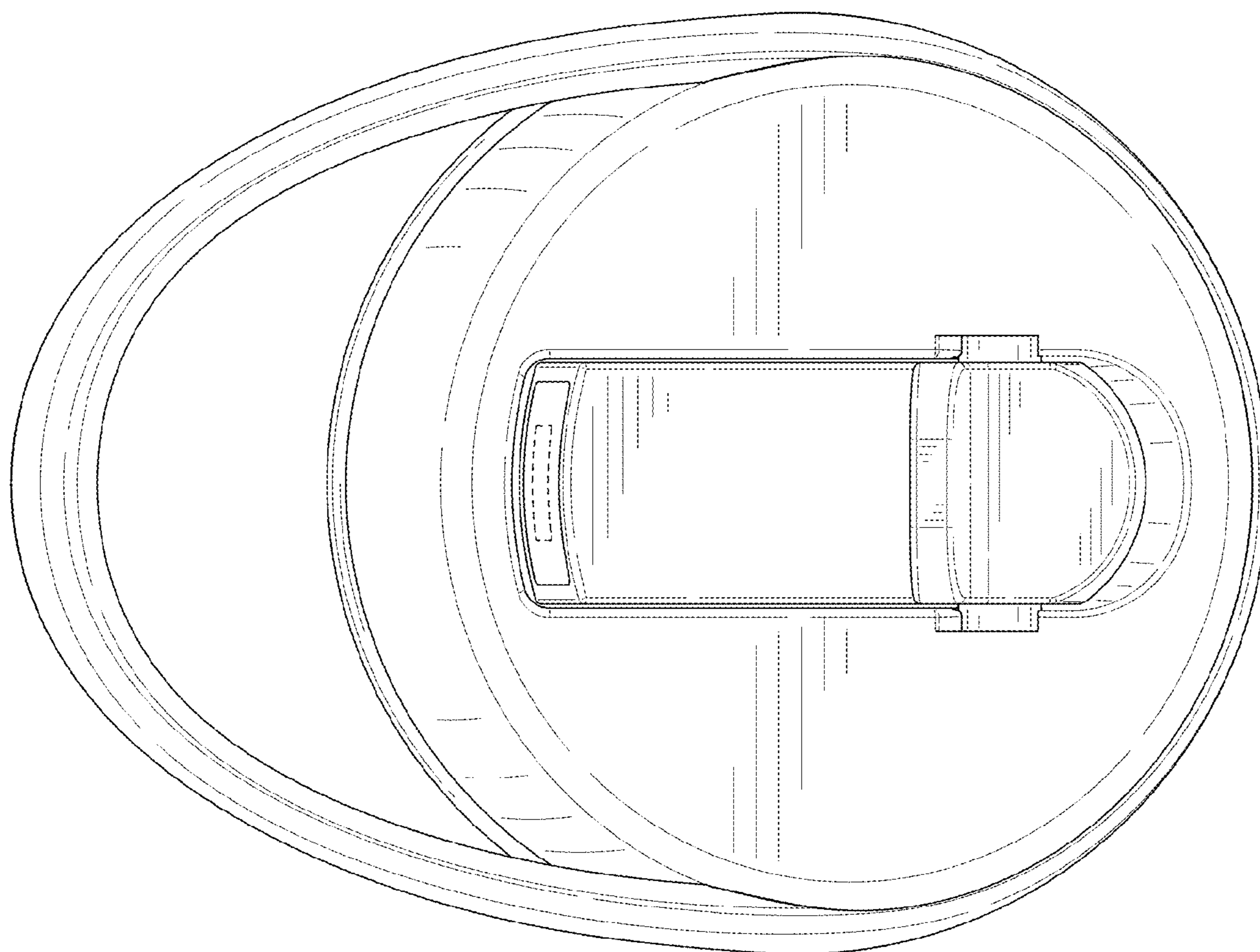


FIG. 6

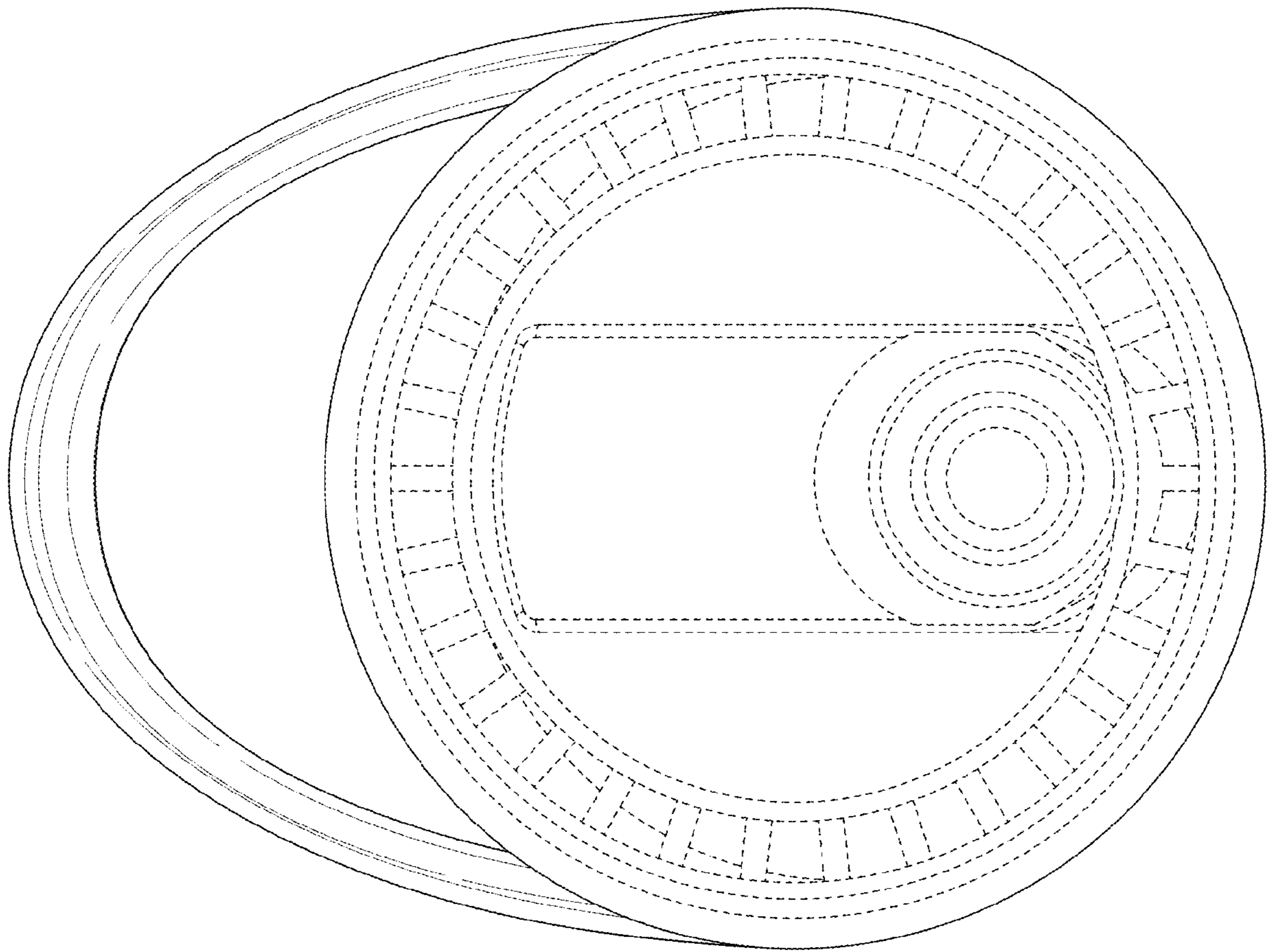


FIG. 7

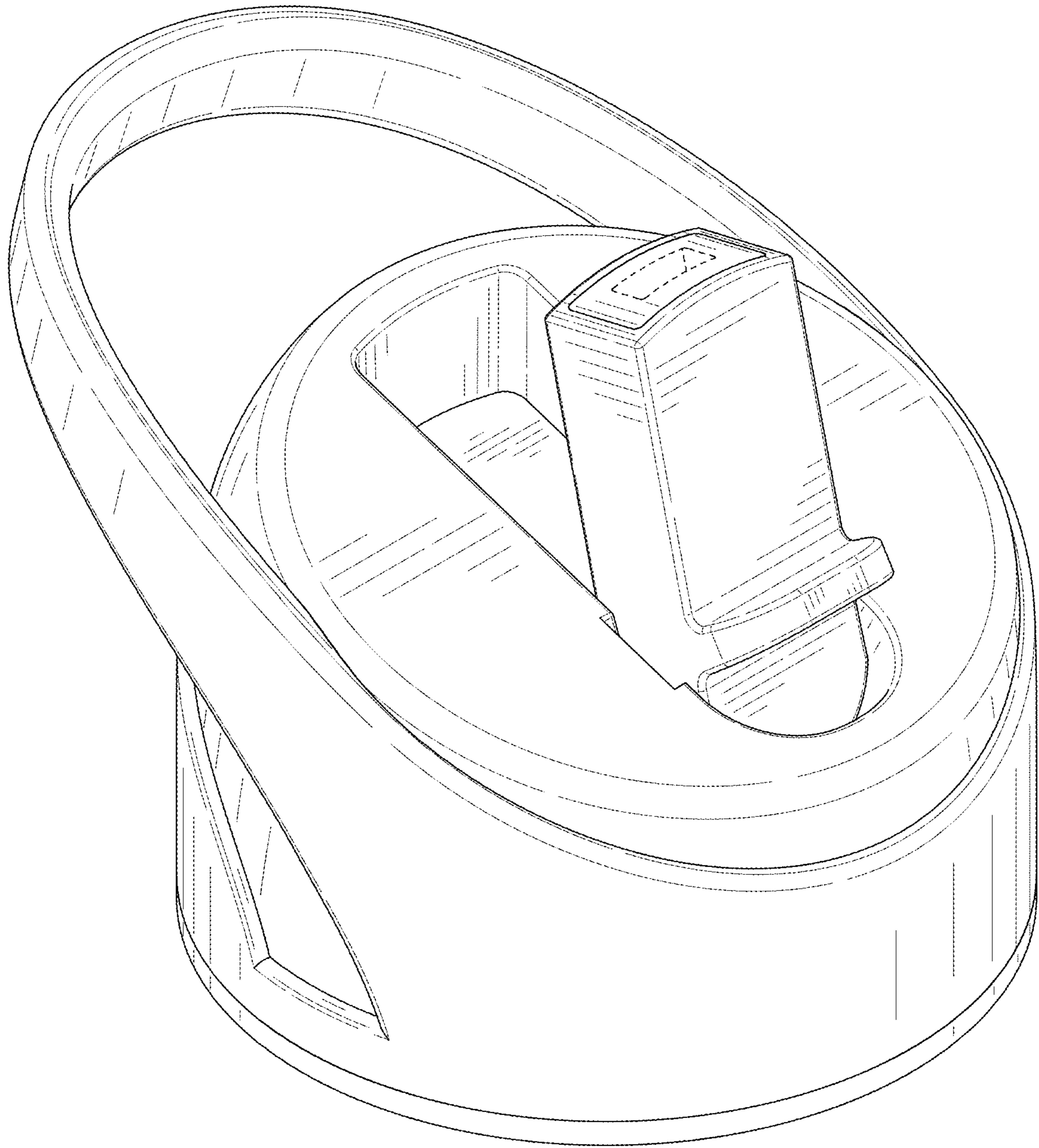


FIG. 8