



US00D923395S

(12) **United States Design Patent** (10) **Patent No.:** **US D923,395 S**
Xie (45) **Date of Patent:** **** Jun. 29, 2021**

(54) **LID FOR BEVERAGE CONTAINER**
(71) Applicant: **Shenzhenshi Baozhixia Keji youxiangongsi**, Shenzhen Guangdong (CN)
(72) Inventor: **Zhixia Xie**, Guangdong Province (CN)
(**) Term: **15 Years**
(21) Appl. No.: **29/744,733**
(22) Filed: **Jul. 31, 2020**
(51) **LOC (13) Cl.** **07-99**
(52) **U.S. Cl.**
USPC **D7/392.1**
(58) **Field of Classification Search**
USPC D7/387, 391, 392, 392.1, 396.1, 396.2, D7/510, 511, 538, 900; D9/434, 435, D9/439, 440, 442, 443, 447, 449, 450, D9/499
CPC B65D 2543/00046
See application file for complete search history.

D897,760 S * 10/2020 Feng D7/392.1
D897,761 S * 10/2020 Zhang D7/392.1
D899,181 S * 10/2020 Xie D7/392.1
D899,848 S * 10/2020 Zhang D7/392.1
D900,537 S * 11/2020 Yao D7/392.1
D900,538 S * 11/2020 Yao D7/392.1
D900,539 S * 11/2020 Yao D7/392.1
D903,403 S * 12/2020 Ames D7/392
D904,109 S * 12/2020 Yao D7/392.1
D905,499 S * 12/2020 Zhang D7/392.1
D906,042 S * 12/2020 Chen D7/392.1

* cited by examiner

Primary Examiner — Karen S Acker
Assistant Examiner — Steven B Reinholdt, Jr.

(57) **CLAIM**

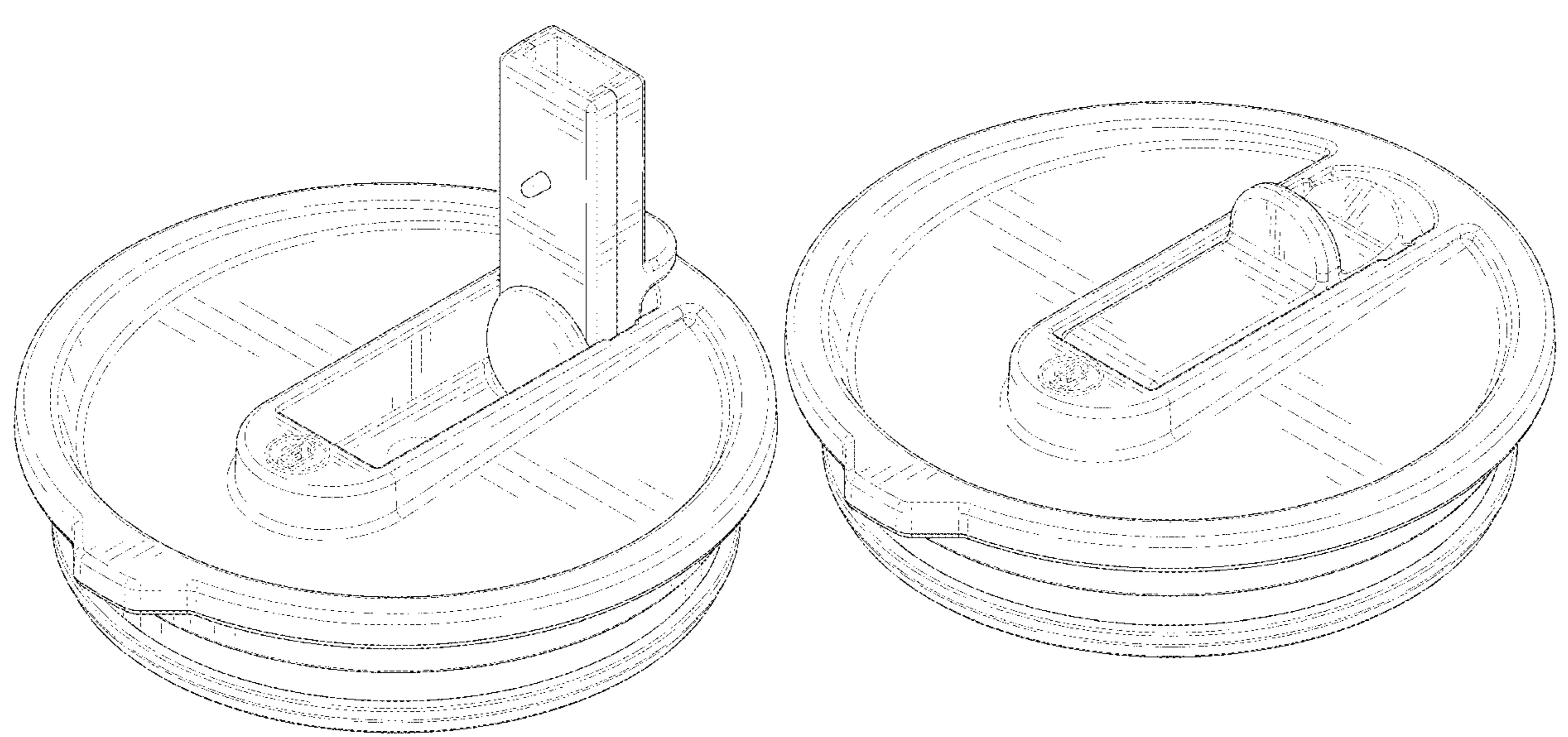
The ornamental design for a lid for beverage container, as shown and described.

DESCRIPTION

FIG. 1 is a front and top perspective view of a lid for beverage container, showing my new design;
FIG. 2 is a rear and bottom perspective view thereof;
FIG. 3 is a front elevational view thereof;
FIG. 4 is a rear elevational view thereof;
FIG. 5 is a left side elevational view thereof;
FIG. 6 is a right side elevational view thereof;
FIG. 7 is a top plan view thereof;
FIG. 8 is a bottom plan view thereof; and,
FIG. 9 is a perspective view thereof, showing a straw of the lid for beverage container in a folded position.
The broken lines in the figures illustrate portions of the lid for beverage container that form no part of the claimed design.

1 Claim, 9 Drawing Sheets

(56) **References Cited**
U.S. PATENT DOCUMENTS
D709,366 S 7/2014 Fleming
D856,066 S * 8/2019 Barber D7/392.1
D862,985 S * 10/2019 Backs D7/511
D872,522 S * 1/2020 Diener D7/392.1
D872,524 S * 1/2020 Bo D7/392.1
D886,517 S * 6/2020 Bo D7/392.1
D887,776 S * 6/2020 Bo D7/392.1
D893,245 S * 8/2020 Zhang D7/392.1
D893,951 S * 8/2020 Steenari D7/510
D894,671 S * 9/2020 Huang D7/392.1
D895,353 S * 9/2020 Zheng D7/392.1



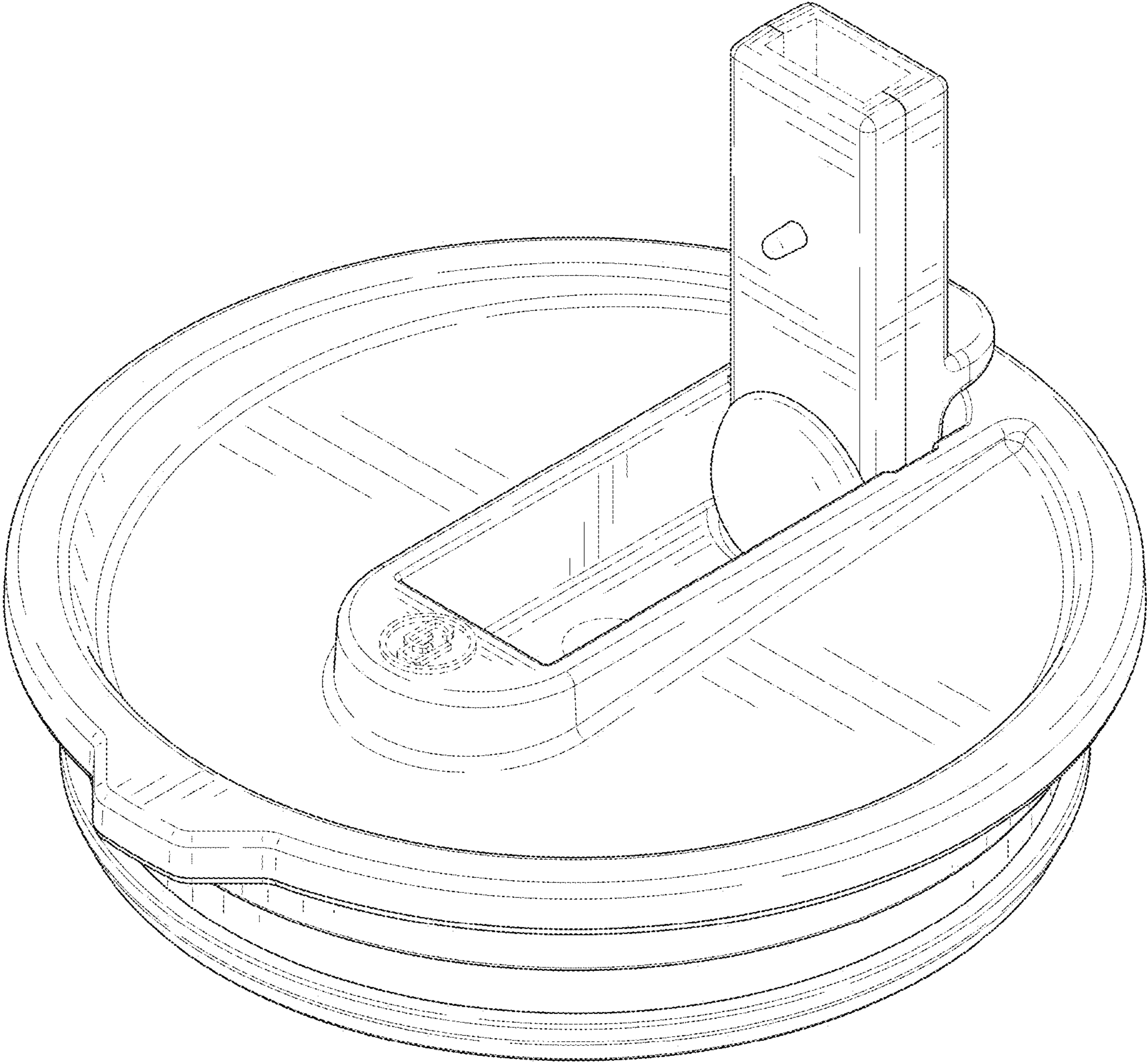


FIG. 1

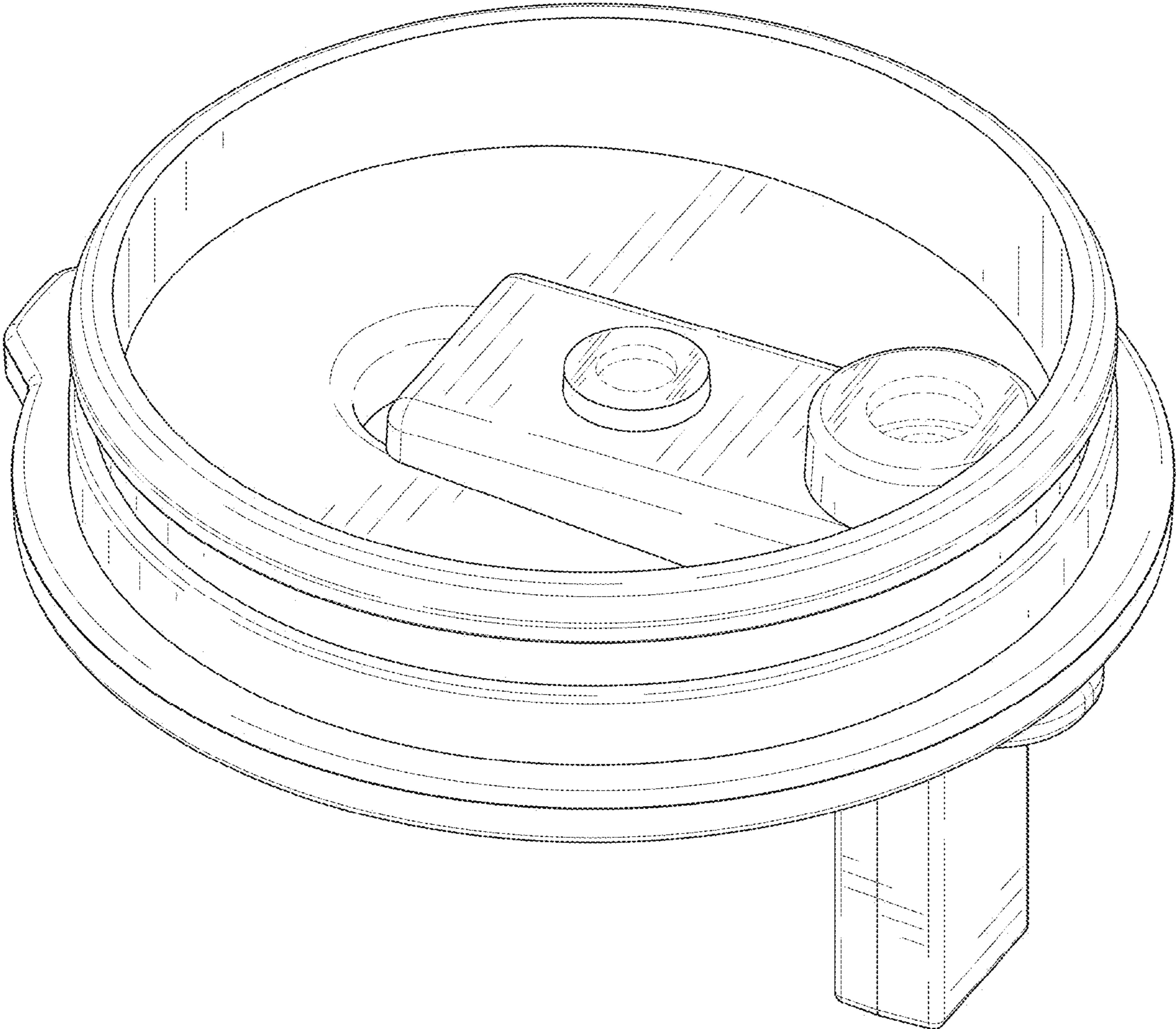


FIG. 2

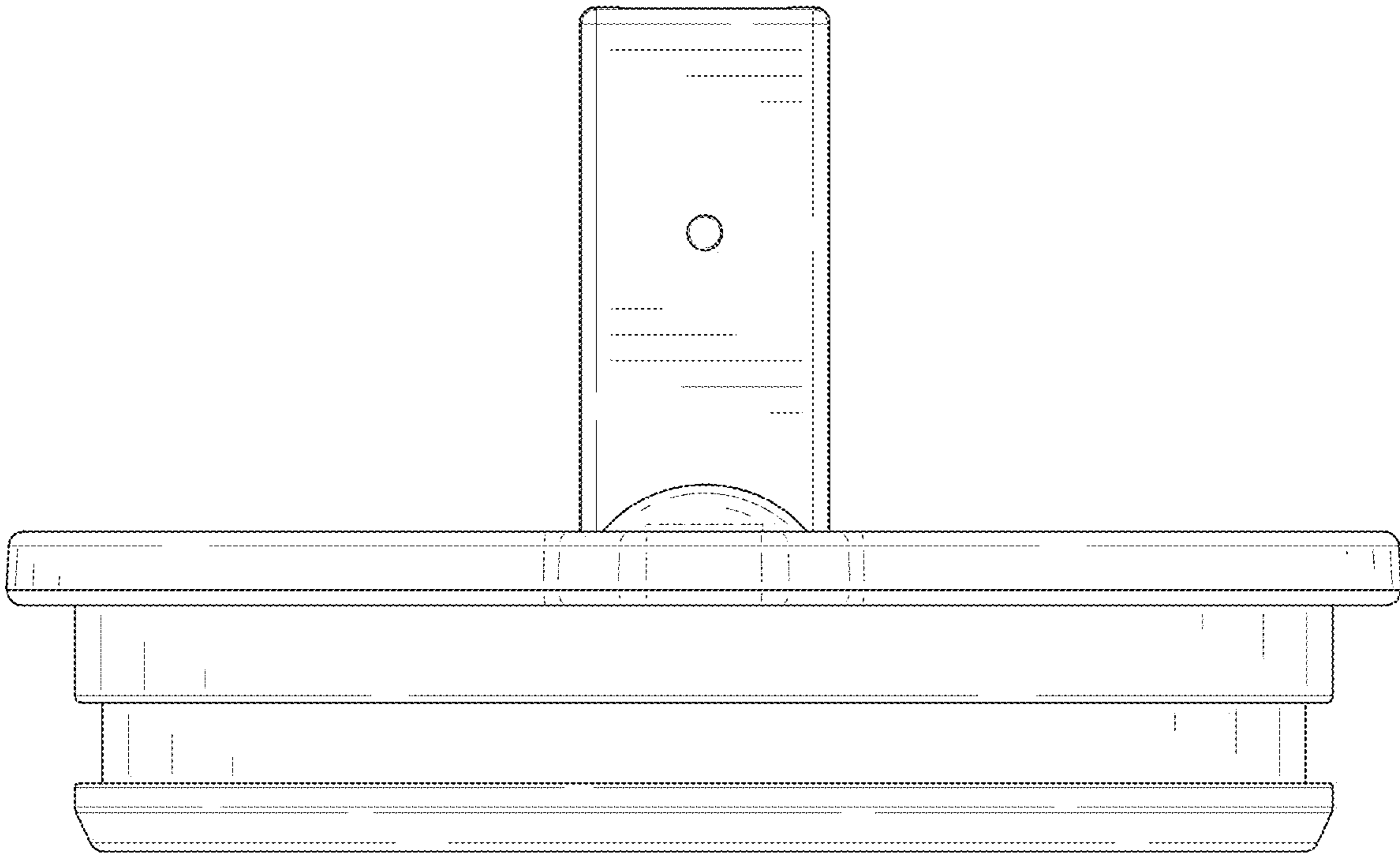


FIG. 3

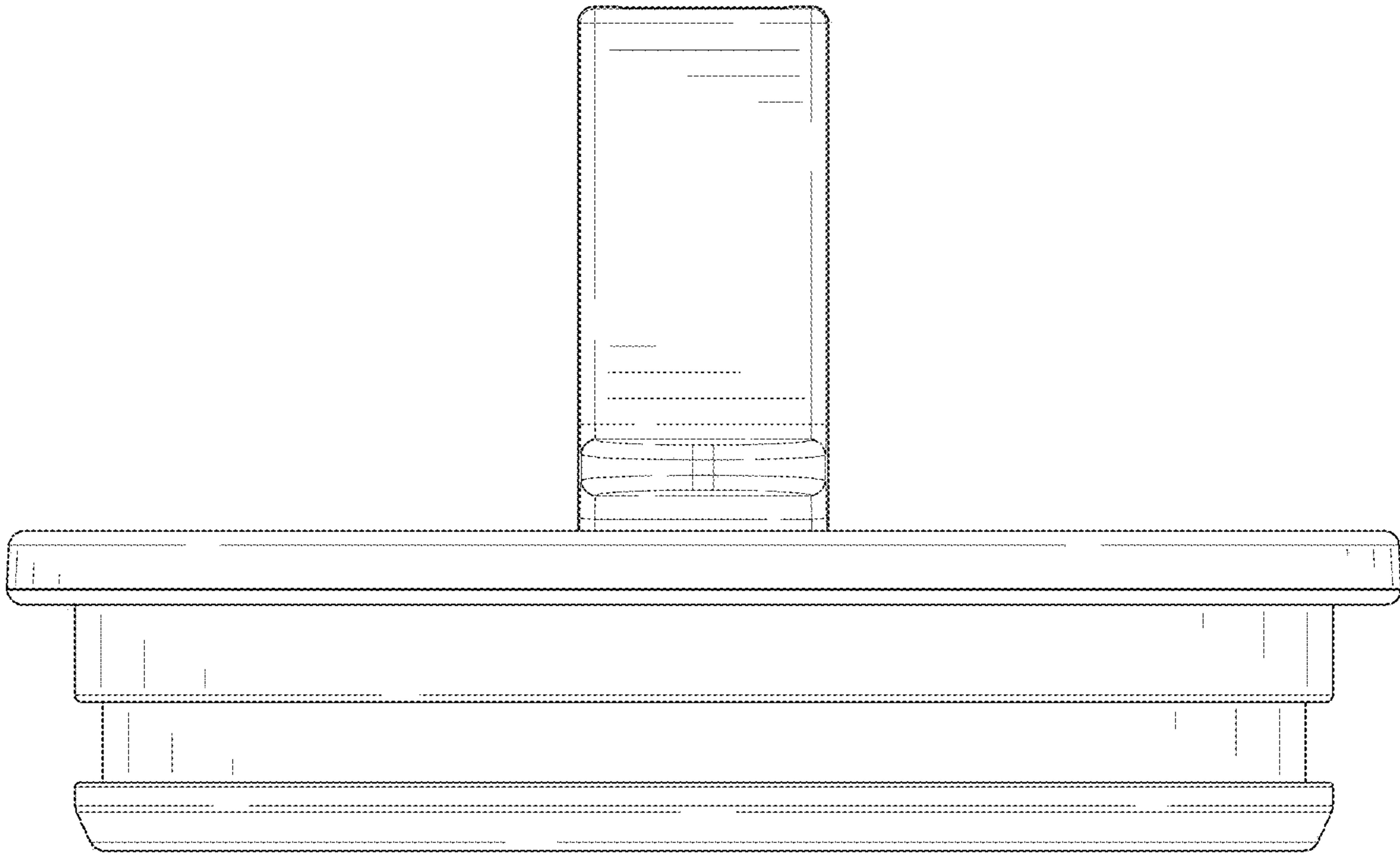


FIG. 4

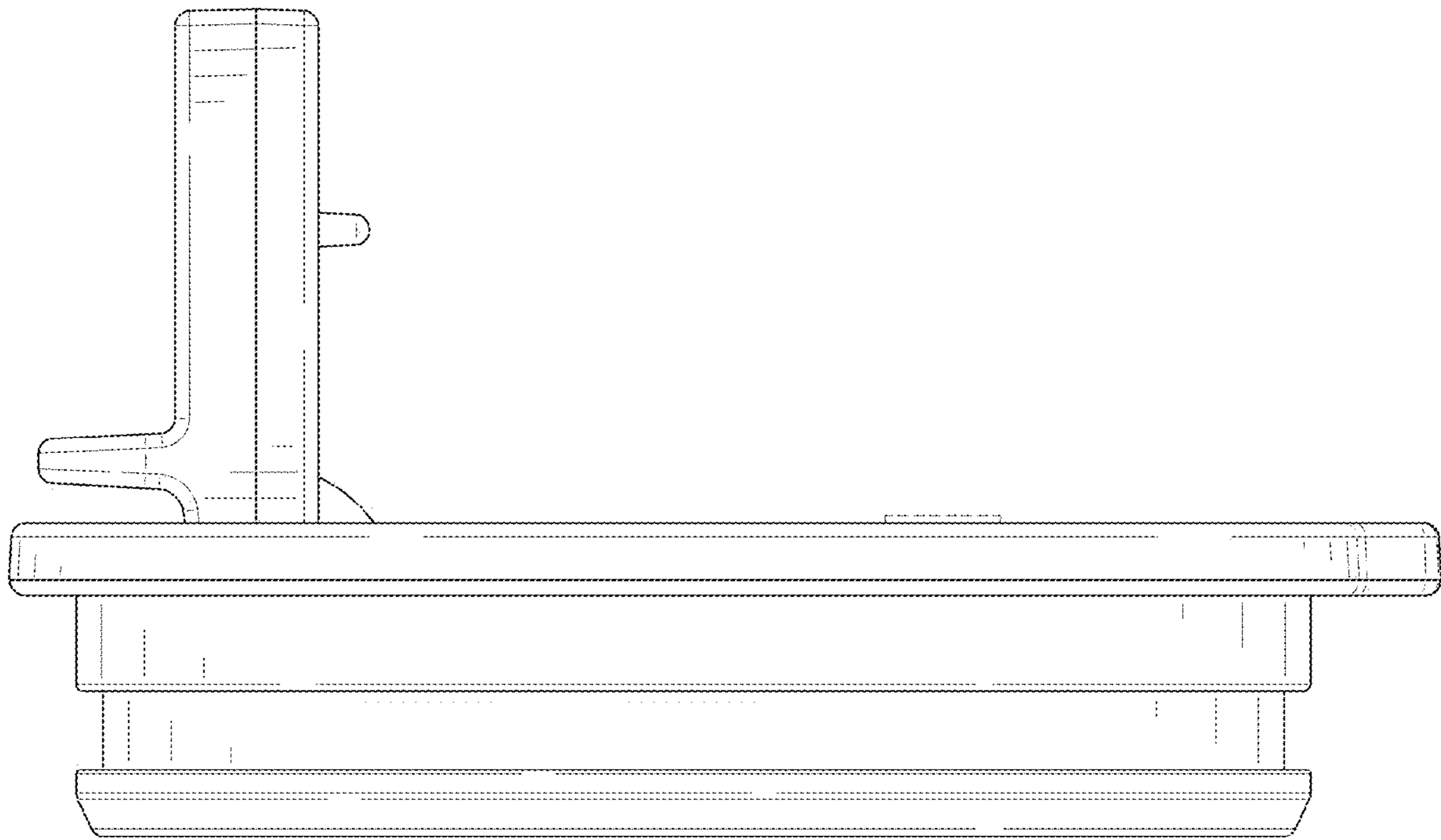


FIG. 5

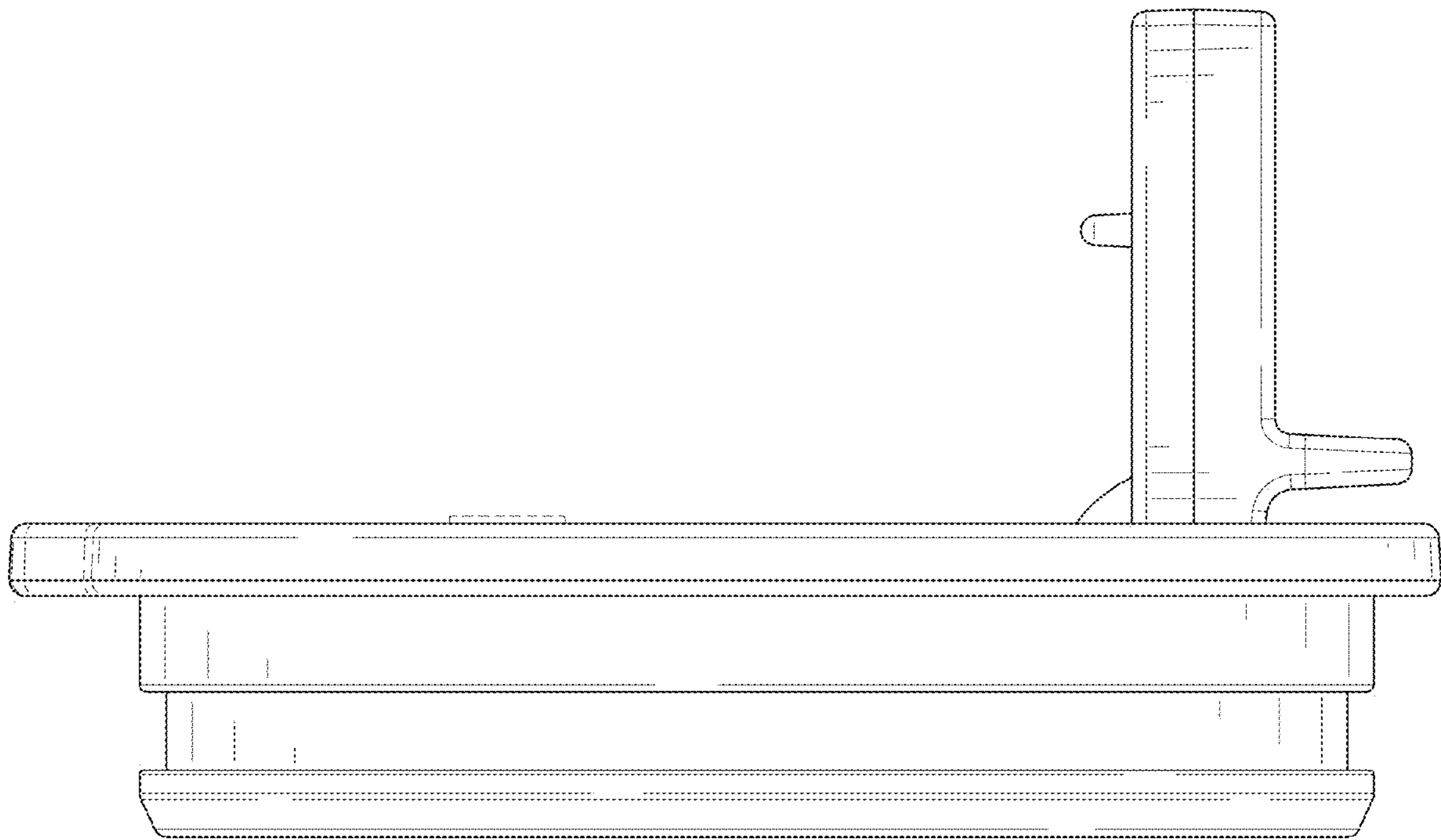


FIG. 6

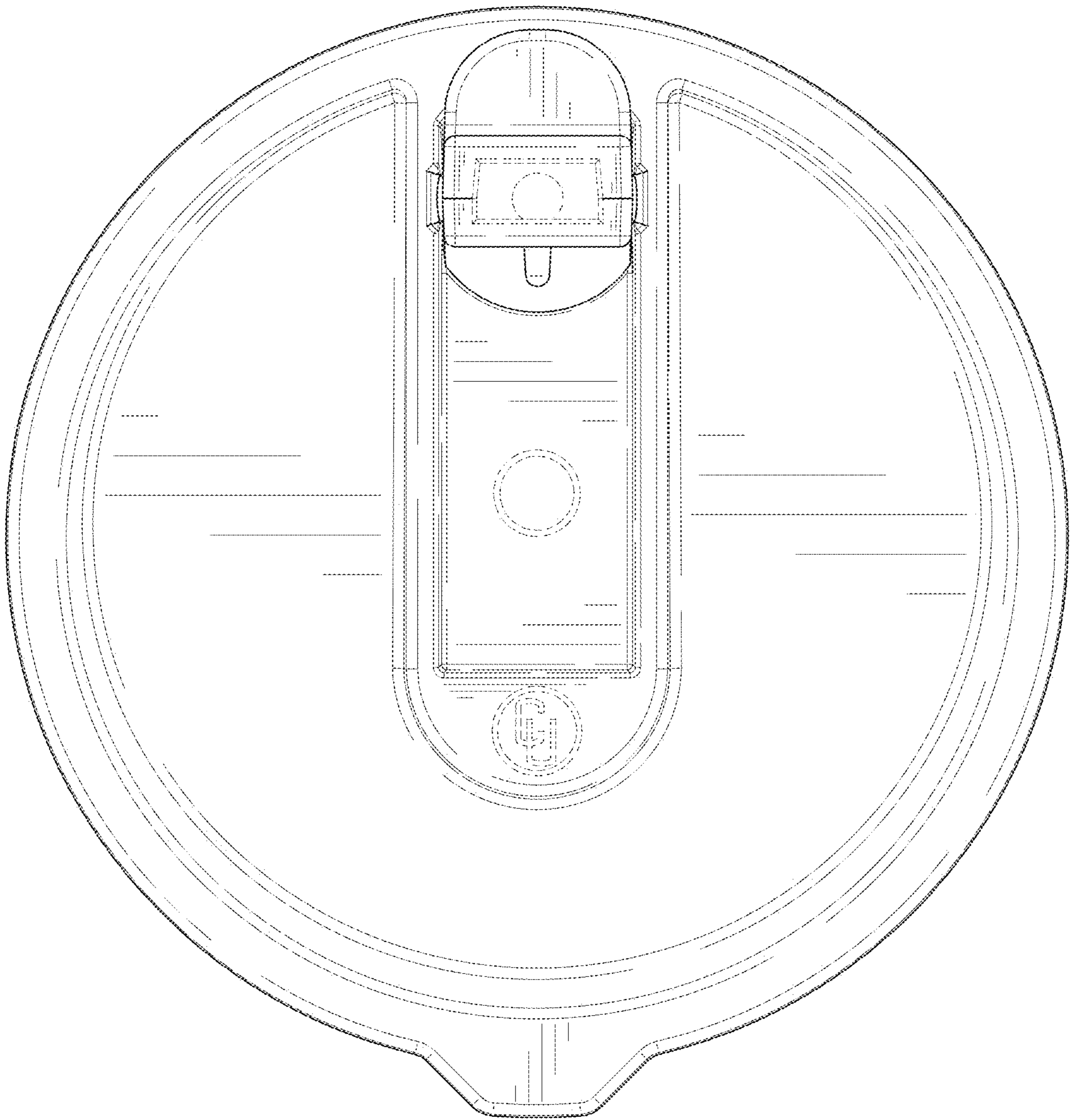


FIG. 7

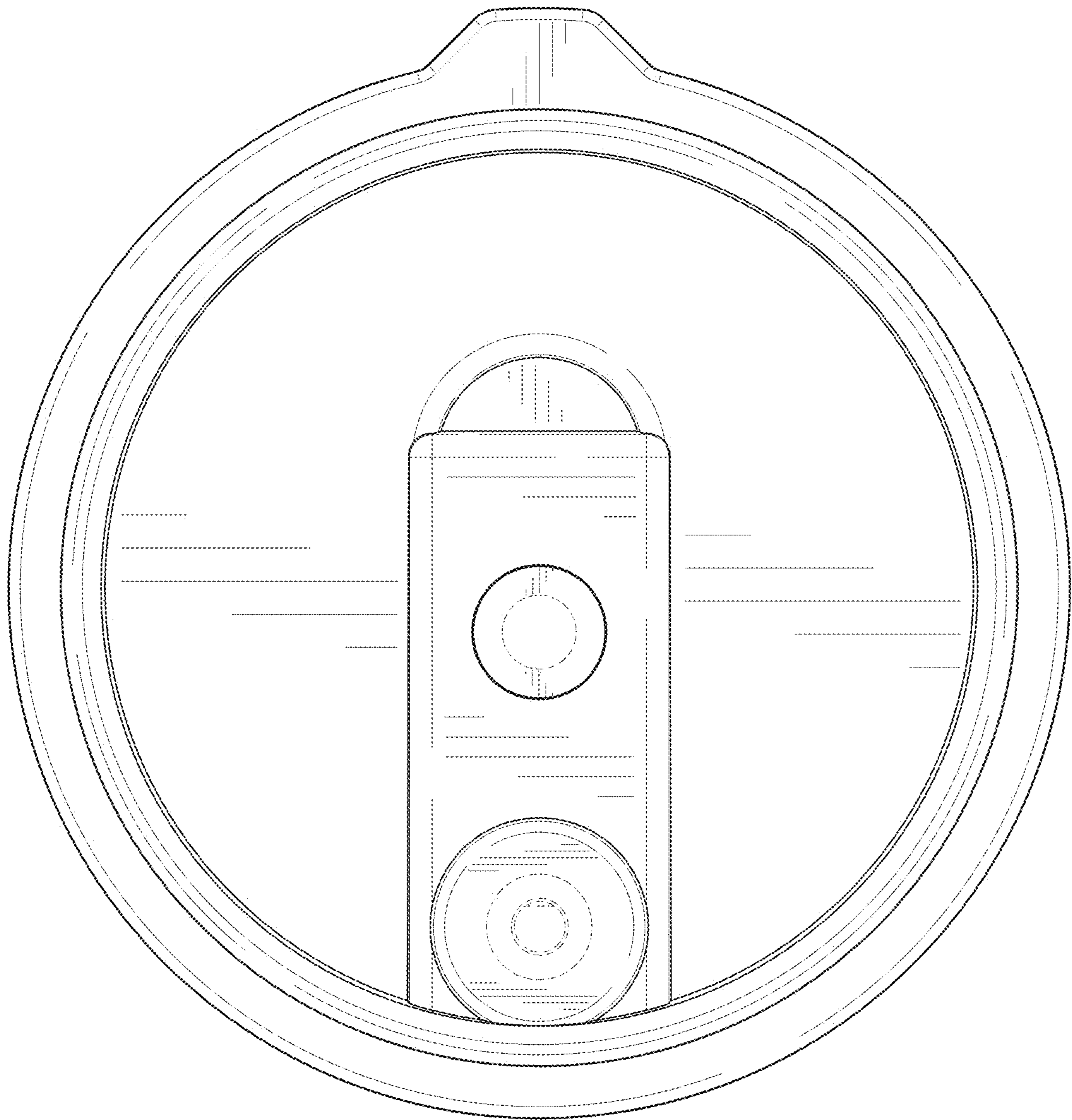


FIG. 8

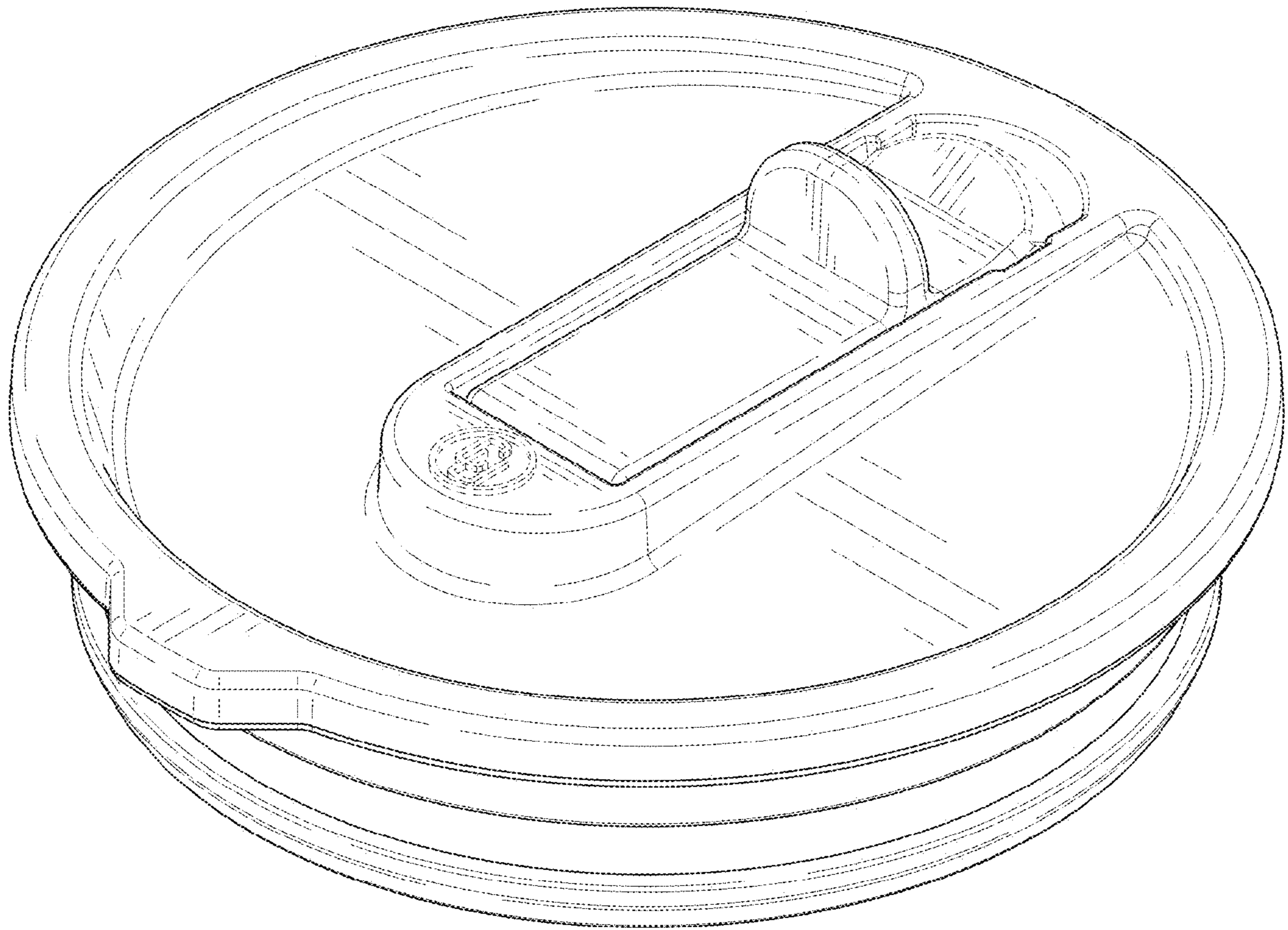


FIG. 9