



US00D923394S

(12) **United States Design Patent**
Gu

(10) **Patent No.:** **US D923,394 S**
(45) **Date of Patent:** **** Jun. 29, 2021**

(54) **BOTTLE CAP**

(71) Applicant: **Shenzhen Ada's Trade Co., Ltd.**,
Shenzhen (CN)

(72) Inventor: **Qianjiang Gu**, Guangdong (CN)

(73) Assignee: **SHENZHEN ADA'S TRADE CO., LTD.**,
Shenzhen (CN)

(**) Term: **15 Years**

(21) Appl. No.: **29/713,952**

(22) Filed: **Nov. 20, 2019**

(51) **LOC (13) Cl.** **07-99**

(52) **U.S. Cl.**

USPC **D7/392.1**; D7/396.2

(58) **Field of Classification Search**

USPC D7/509, 510, 511, 624.1, 387, 391, 392,
D7/392.1, 393, 396.1, 396.2; D9/434,
D9/435, 439, 445, 447, 451, 454, 438,
D9/440, 443, 452, 453, 686, 723, 724,
D9/436; D23/259, 260, 261, 209, 210;
D24/162, 127

CPC B65D 43/265; B65D 17/506; B65D 47/04;
B65D 47/06; B65D 47/08; B65D 47/20;
B65D 1/00; B65D 1/02; B65D 1/10;
B65D 1/46; B65D 2585/56; B65D
2585/545; B65D 41/00; B65D 41/38;
B65D 41/56; B65D 41/62; B65D 47/00;
B65D 23/00; B65D 51/1694; B65D
43/0212; B65D 43/0208; B65D
2543/00046; B65D 2543/00092; B65D
1/24; B65D 25/04; B65D 43/09; B65D
43/16; A61J 1/00; A61J 1/1412; A61J
1/02

See application file for complete search history.

(56) **References Cited**

U.S. PATENT DOCUMENTS

D704,986 S * 5/2014 Manies D7/392.1
D725,436 S * 3/2015 Miller D7/396.2

D729,569 S * 5/2015 Herbst D7/392
D758,800 S * 6/2016 Hayslett D7/510
D793,154 S * 8/2017 Sorensen D7/392.1
D799,320 S * 10/2017 Goodwin D7/392.1
D808,711 S * 1/2018 Joseph D7/392.1
D808,713 S * 1/2018 Rane D7/396.2
D810,506 S * 2/2018 Erickson D7/396.2
D811,162 S * 2/2018 Rane D7/396.2

(Continued)

FOREIGN PATENT DOCUMENTS

CN 303688752 * 6/2016

OTHER PUBLICATIONS

Hydro Plastic Cap with Straw Lid: Site Visited [Dec. 28, 2020],
Available from Internet URL: [tps://www.alibaba.com/product-detail/hydro-New-pattern-Hot-Sale-Eco_62320889092.html?spm=a2700.7724857.0.0.79fd38e0G2VTwc](https://www.alibaba.com/product-detail/hydro-New-pattern-Hot-Sale-Eco_62320889092.html?spm=a2700.7724857.0.0.79fd38e0G2VTwc).*

(Continued)

Primary Examiner — Catherine S Posthauer
(74) *Attorney, Agent, or Firm* — Andrew C. Cheng

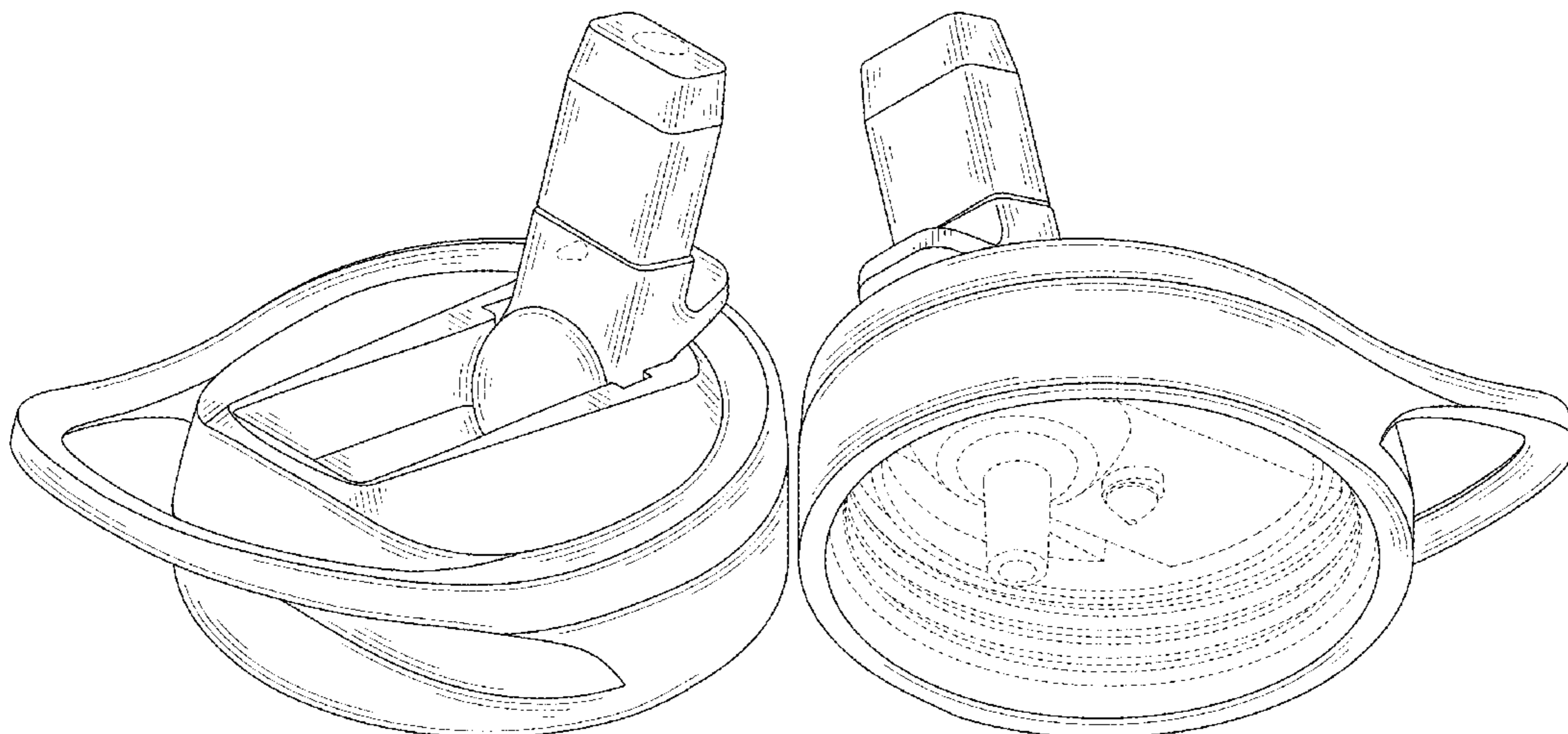
(57) **CLAIM**

I claim the ornamental design for a bottle cap, as shown and described.

DESCRIPTION

FIG. 1 is a first perspective view of a bottle cap showing my new design.
FIG. 2 is a second perspective view thereof.
FIG. 3 is a third perspective view thereof.
FIG. 4 is a front view of the bottle cap of FIG. 1.
FIG. 5 is a rear view of the bottle cap of FIG. 1.
FIG. 6 is a left side view of the bottle cap of FIG. 1.
FIG. 7 is a right side view of the bottle cap of FIG. 1.
FIG. 8 is a top view of the bottle cap of FIG. 1; and,
FIG. 9 is a bottom view of the bottle cap of FIG. 1.
The broken lines are shown for the purpose of illustrating parts of the article that form no part of the claimed design.

1 Claim, 9 Drawing Sheets



(56)

References Cited

U.S. PATENT DOCUMENTS

D811,810 S * 3/2018 Joseph D7/392.1
 D812,966 S * 3/2018 Murosky D7/392.1
 D814,855 S * 4/2018 Hammer D7/392.1
 D820,637 S * 6/2018 Davis D7/392.1
 D844,376 S * 4/2019 Rosette D7/392.1
 D850,189 S * 6/2019 Burton D7/392.1
 D855,388 S * 8/2019 Potter D7/392.1
 D856,066 S * 8/2019 Barber D7/392.1
 D857,445 S * 8/2019 Keung D7/392.1
 D862,157 S * 10/2019 Barber D7/392.1
 D869,229 S * 12/2019 Hao D7/392.1
 D870,508 S * 12/2019 Palkon D7/392.1
 D870,509 S * 12/2019 Bo D7/392.1
 D881,639 S * 4/2020 Backs D7/392.1
 D881,640 S * 4/2020 Nichols D7/392.1
 D893,245 S * 8/2020 Zhang D7/392.1
 D894,670 S * 9/2020 Adams, Jr. D7/392.1
 D894,671 S * 9/2020 Huang D7/392.1
 D894,672 S * 9/2020 Huang D7/392.1
 D895,352 S * 9/2020 Yao D7/392.1
 D895,353 S * 9/2020 Zheng D7/392.1
 D896,077 S * 9/2020 Matussek D9/440
 D896,572 S * 9/2020 Nichols D7/392.1
 D896,573 S * 9/2020 Wu D7/392.1
 D897,146 S * 9/2020 Lane D7/392.1
 D897,760 S * 10/2020 Feng D7/392.1
 D897,761 S * 10/2020 Zhang D7/392.1
 D899,848 S * 10/2020 Zhang D7/392.1
 D899,849 S * 10/2020 Zhang D7/392.1
 D900,538 S * 11/2020 Yao D7/392.1

D900,539 S * 11/2020 Yao D7/392.1
 D903,403 S * 12/2020 Ames D7/392.1
 D903,405 S * 12/2020 Zhang D7/392.1
 D903,408 S * 12/2020 Massucco D7/392.1
 D904,109 S * 12/2020 Yao D7/392.1
 2006/0180585 A1 * 8/2006 Cunningham A47G 19/2266
 220/203.06
 2007/0199914 A1 * 8/2007 Hung B65D 47/243
 215/311
 2015/0097007 A1 * 4/2015 Garneau B65D 47/2031
 222/544
 2015/0173539 A1 * 6/2015 Mason B65D 47/063
 220/707
 2016/0200486 A1 * 7/2016 Meyers B65D 47/06
 215/229
 2018/0050844 A1 * 2/2018 Hirst A47G 21/18
 2020/0095031 A1 * 3/2020 Cheng B65D 47/066

OTHER PUBLICATIONS

12 Oz Kids Bottle with Wide Mouth Straw Lid: Announced Dec. 19, 2018 [online], Site Visited [Dec. 28, 2020], Available from Internet URL: <https://www.fiftyfiftybottles.com/products/12oz-354ml-fifty-fifty-kids-bottle>.*

Mod Cloth Water Bottle: Announced Apr. 15, 2017 [online]. Site Visited [Dec. 28, 2020], Available from Internet URL: https://www.modcloth.com/shop/hidden/thirst-things-first-water-bottle-in-effort/10084628.html?dwvar_10084628_color=pch#product-thumbnail-2.*

* cited by examiner

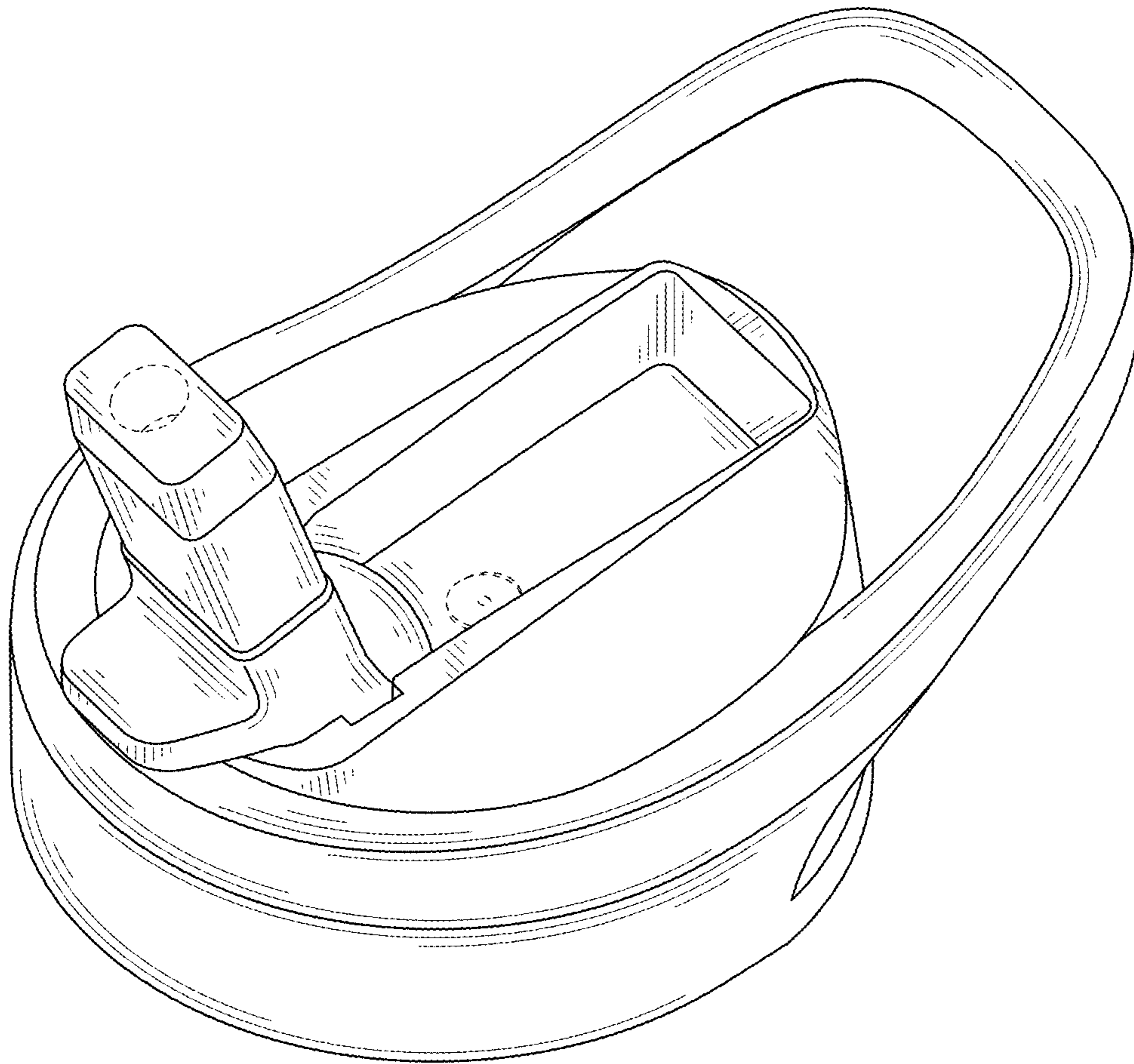


FIG. 1

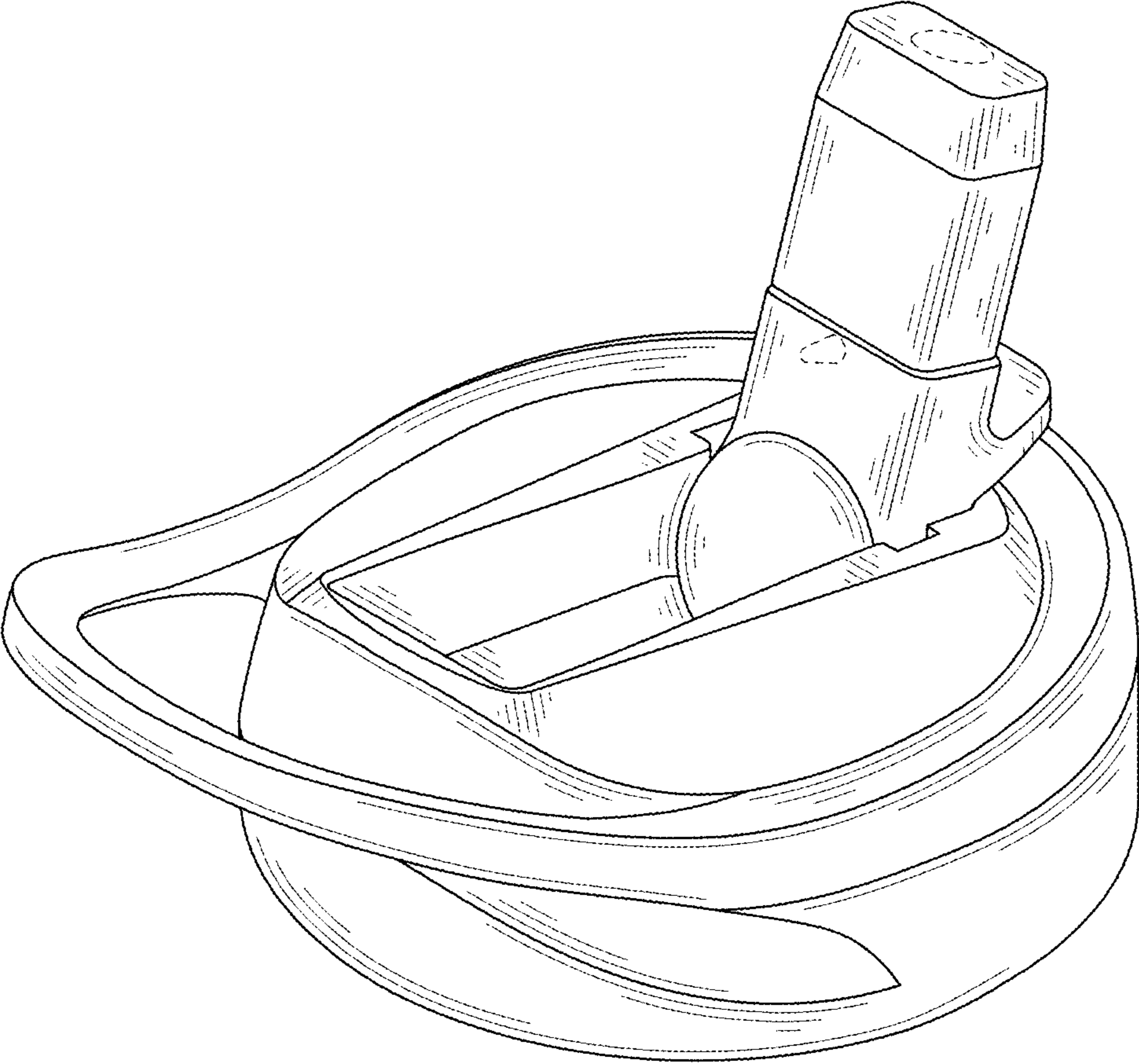


FIG. 2

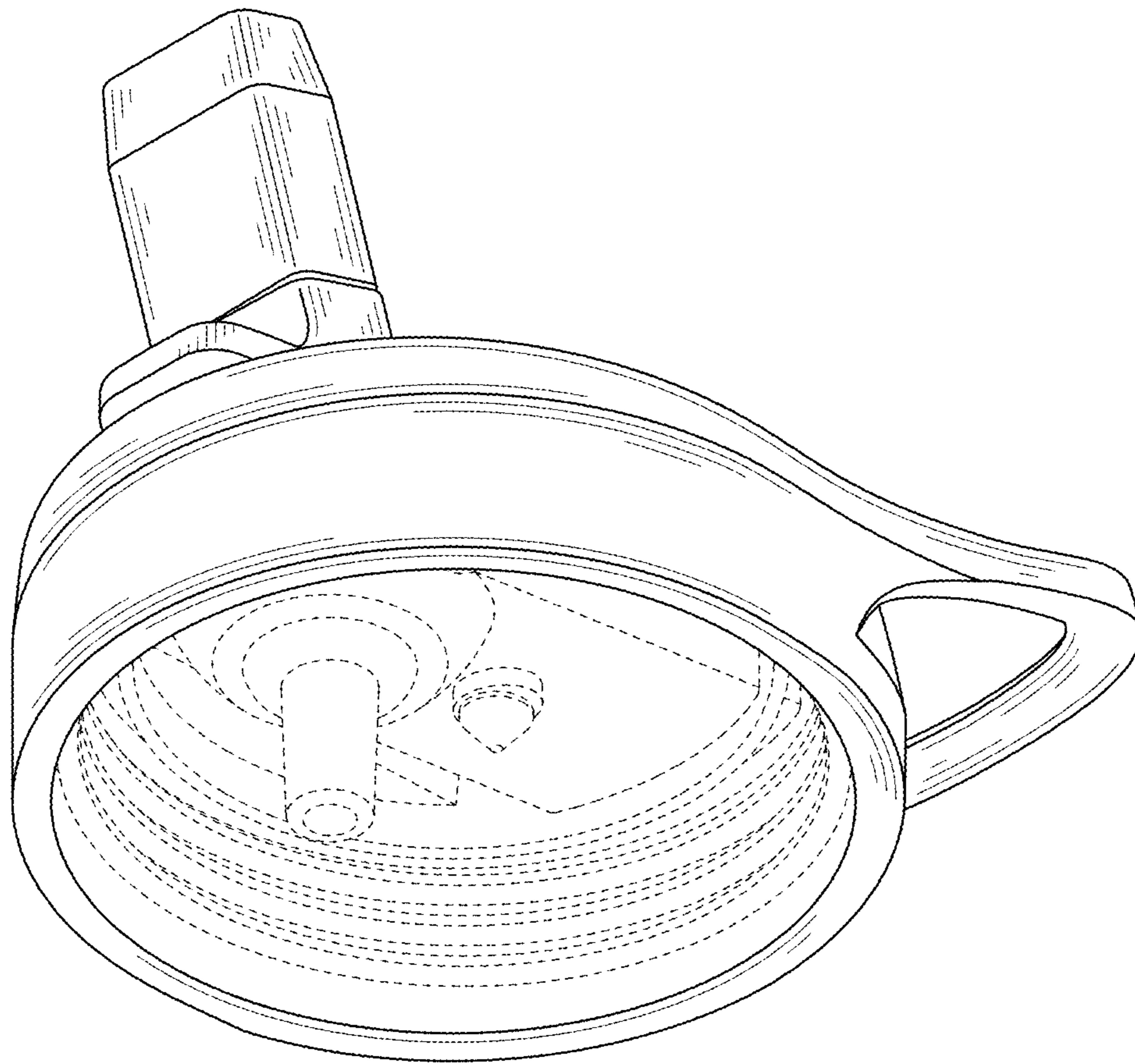


FIG. 3

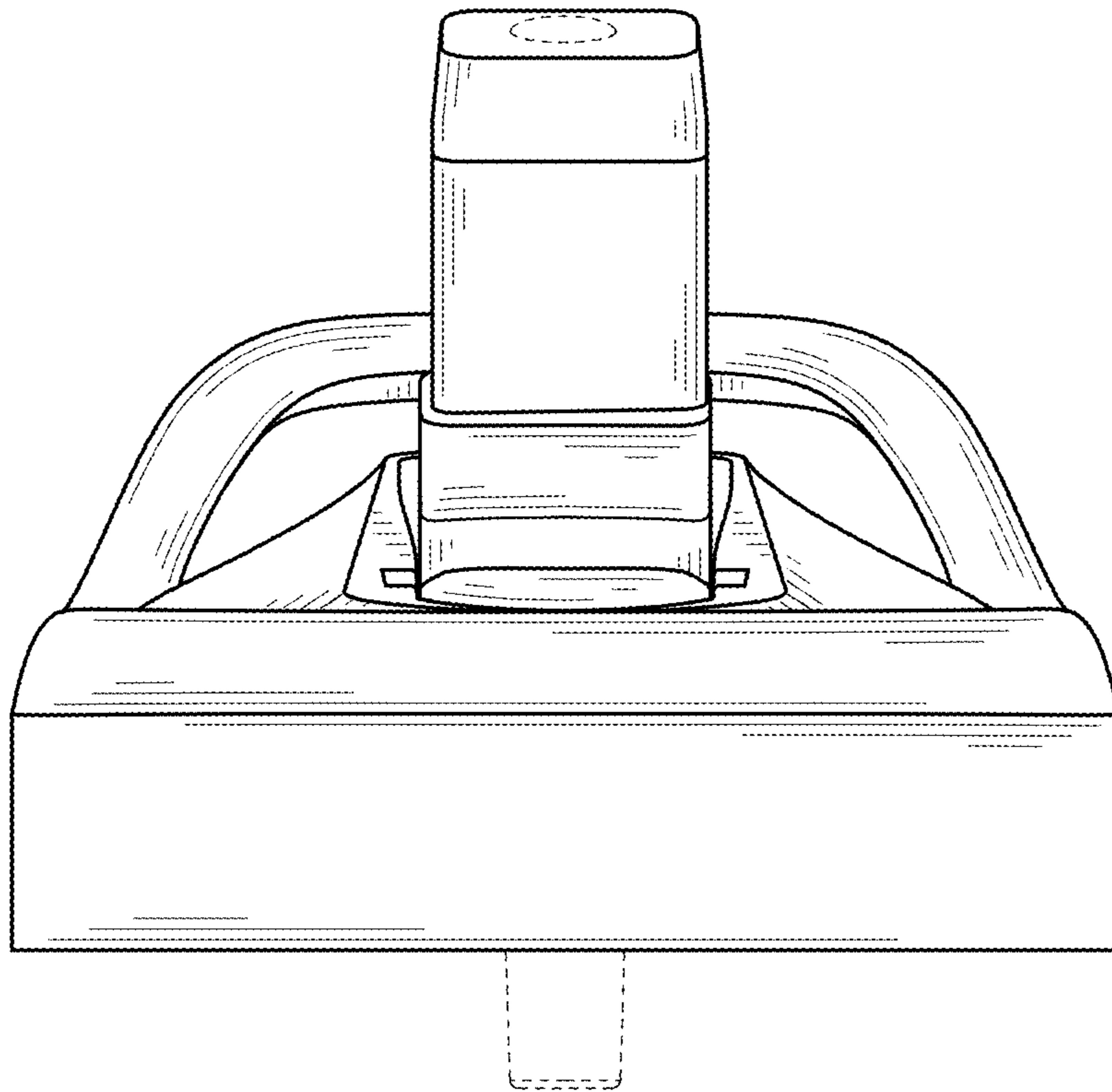


FIG. 4

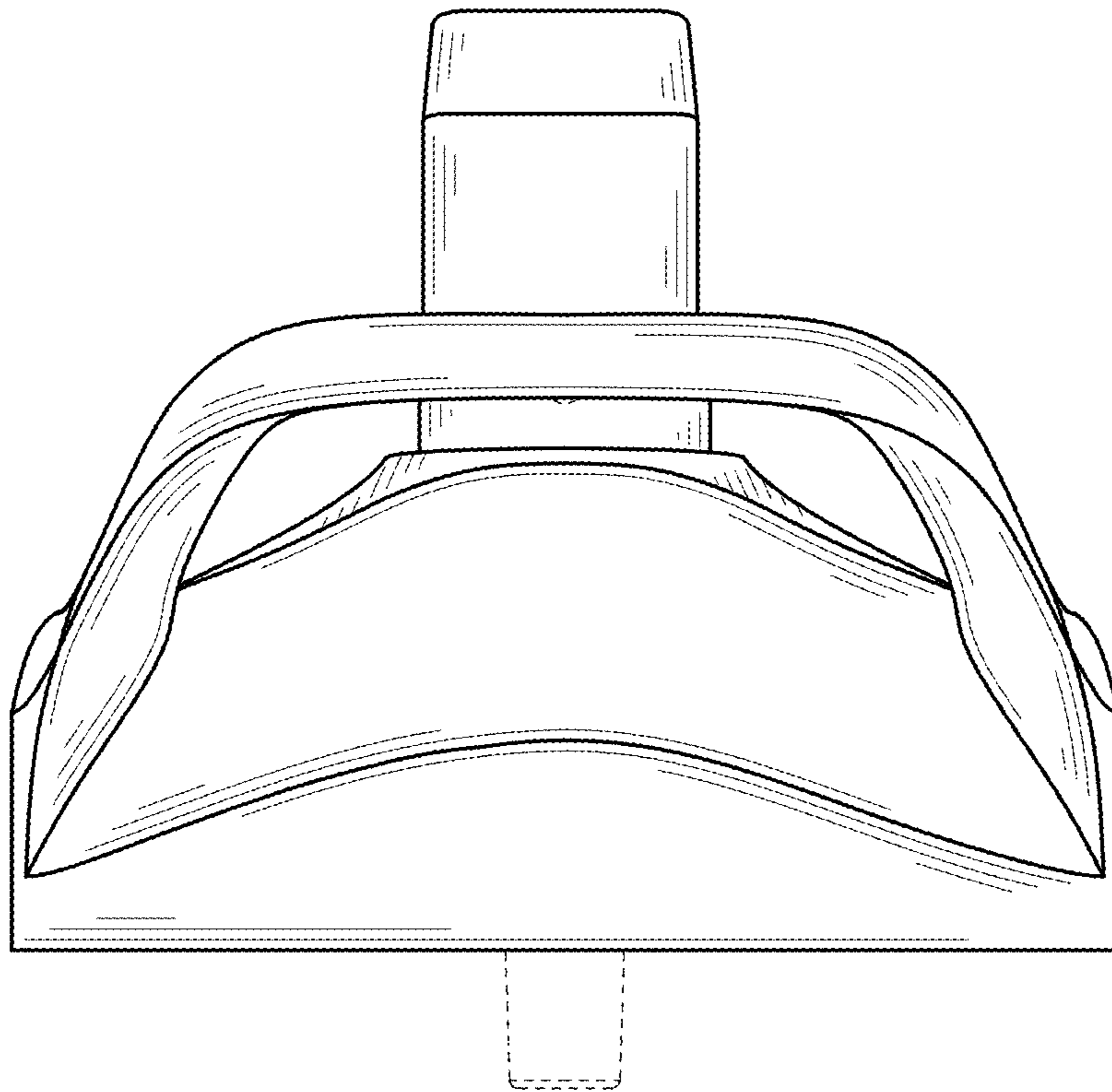


FIG. 5

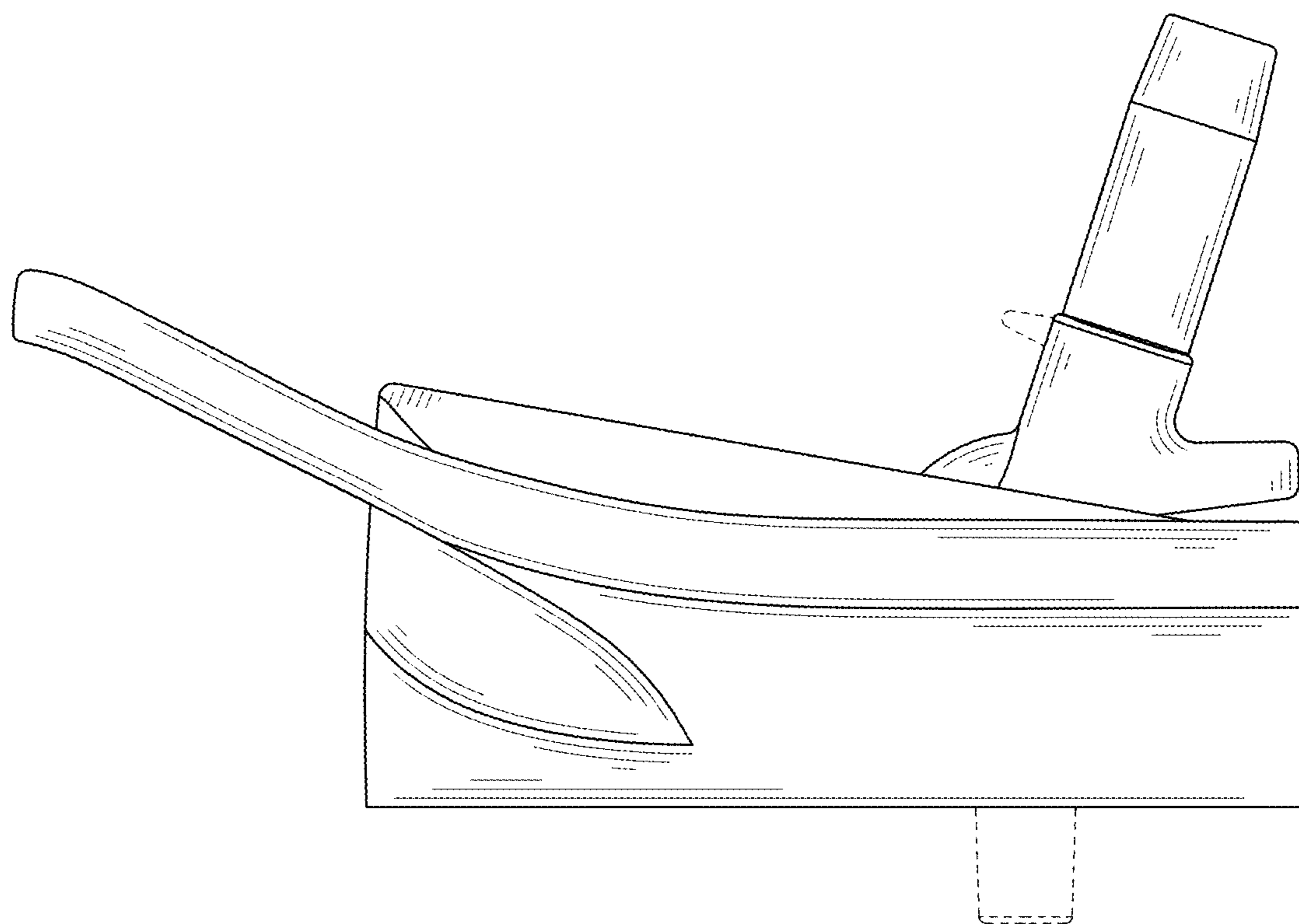


FIG. 6

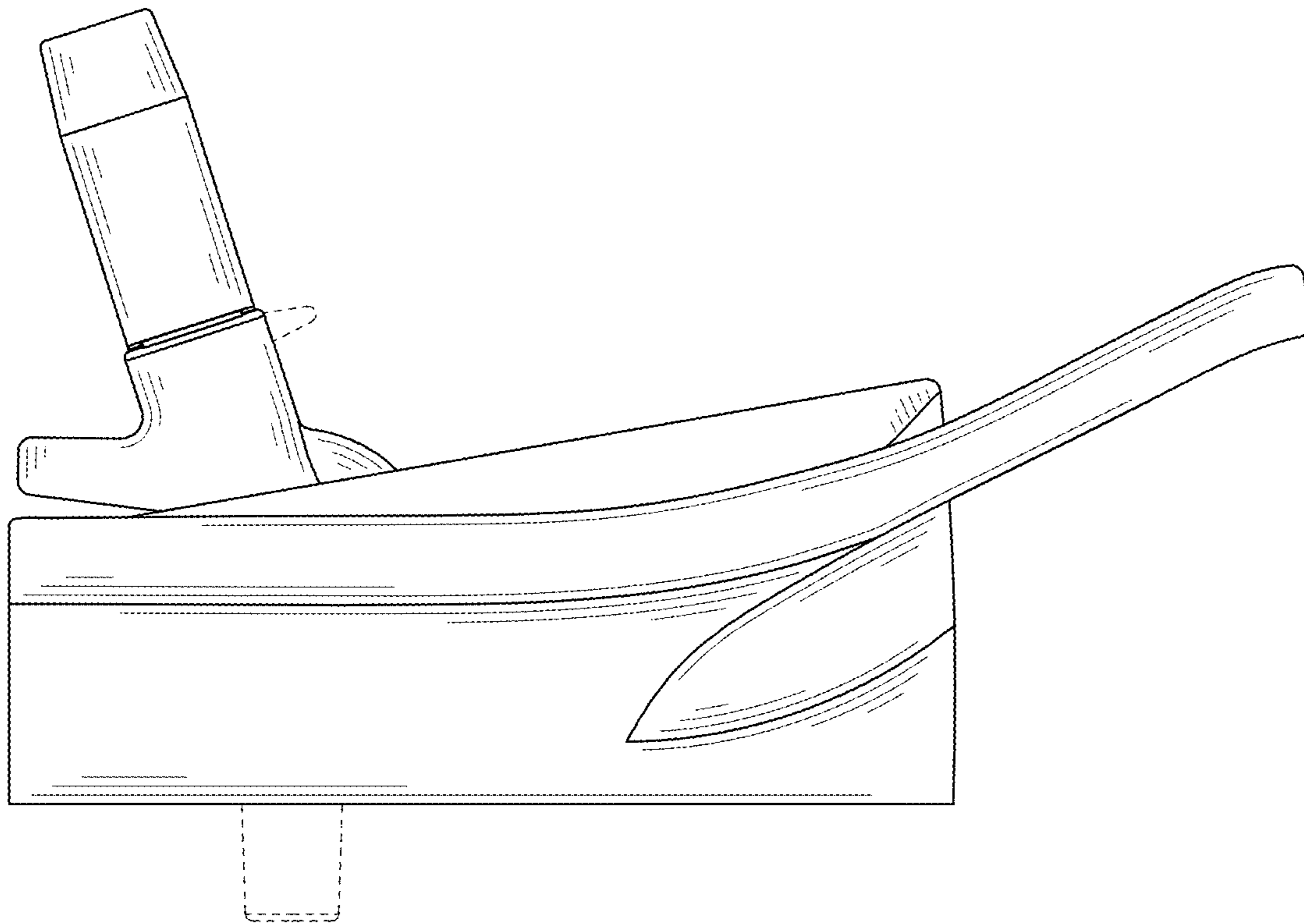


FIG. 7

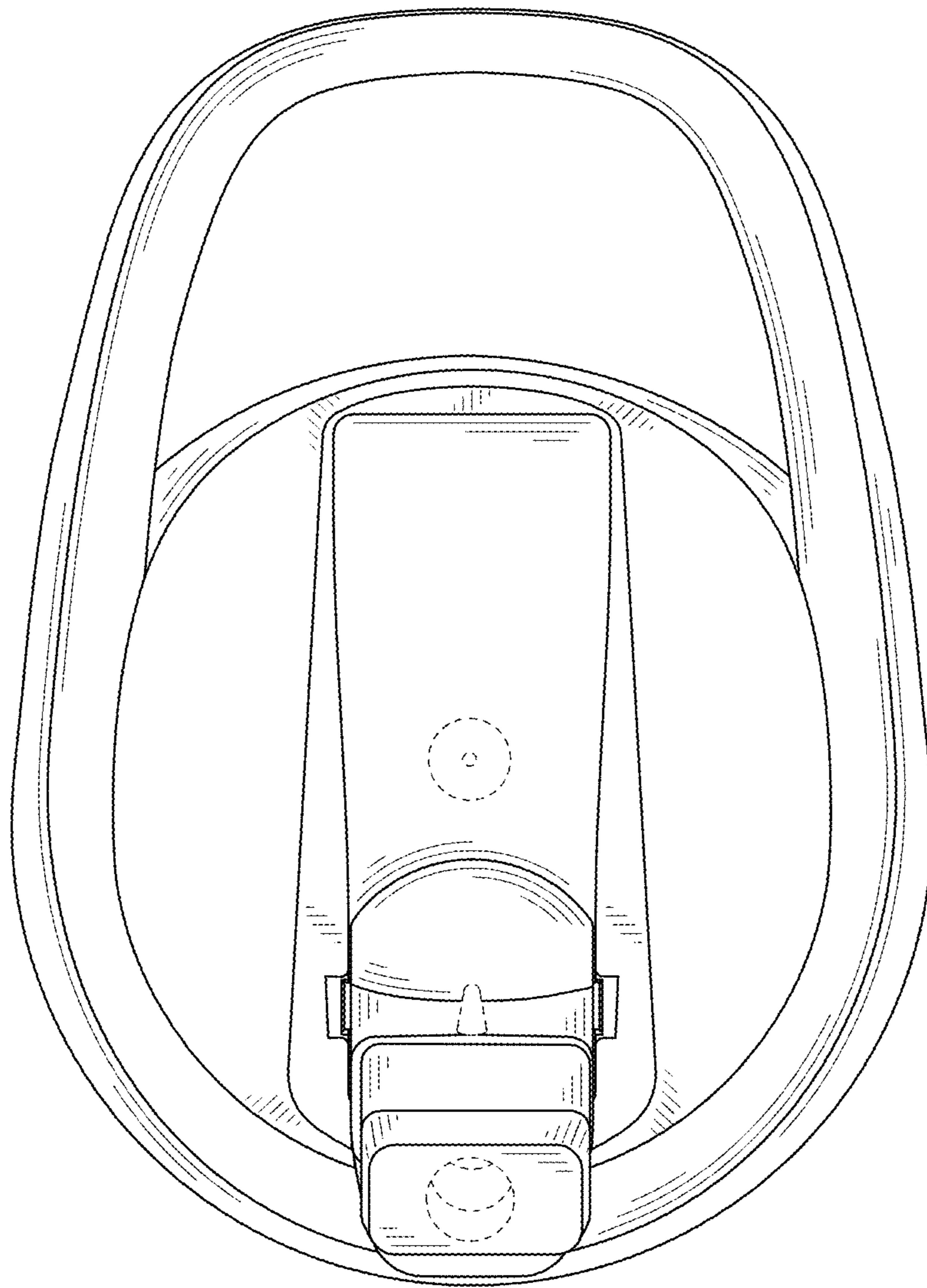


FIG. 8

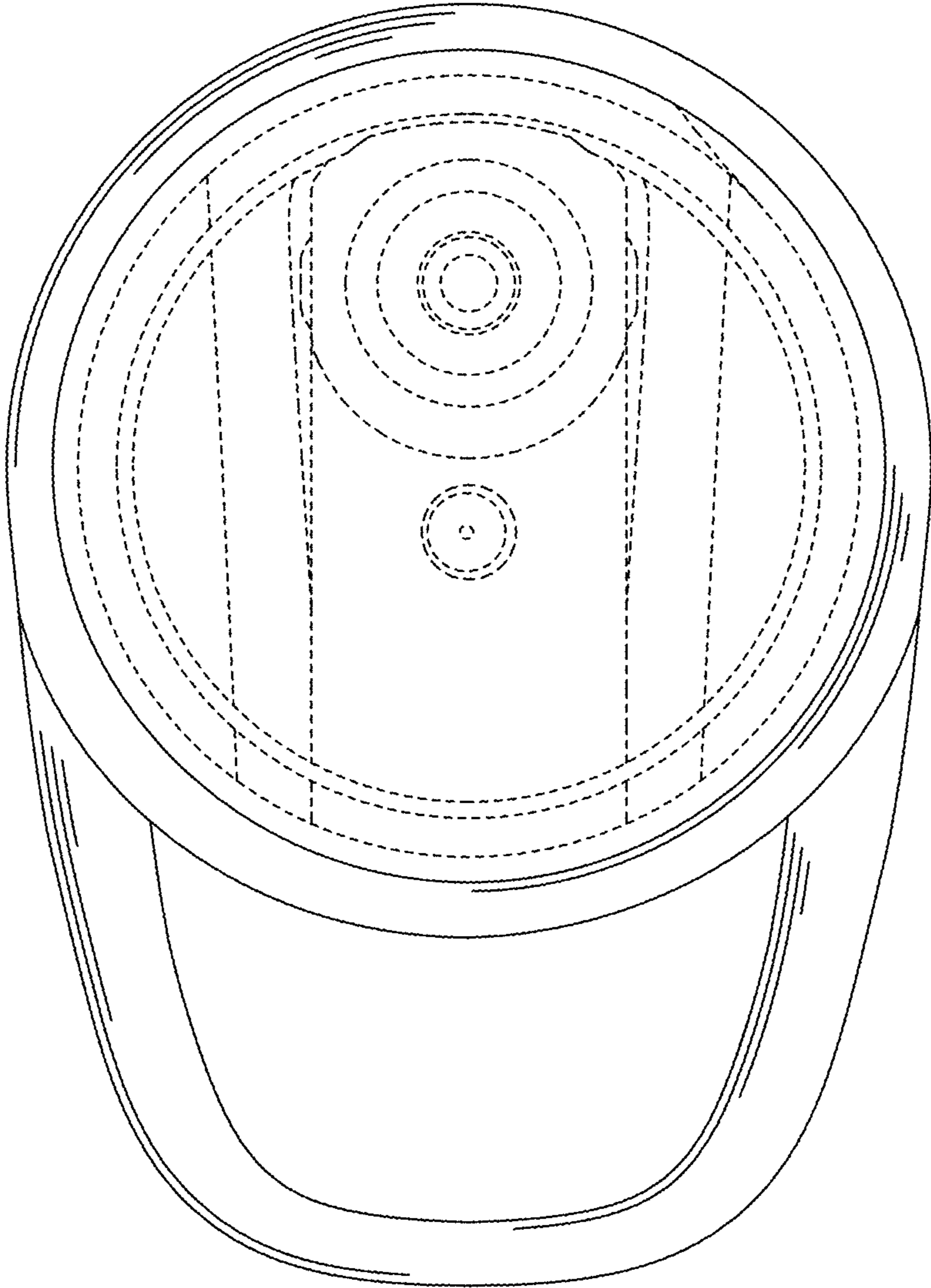


FIG. 9