



US00D923393S

(12) **United States Design Patent**
Colegate

(10) **Patent No.:** **US D923,393 S**

(45) **Date of Patent:** **** Jun. 29, 2021**

(54) **LID**

(71) Applicant: **JOCO Group Pty Ltd**, Breamlea (AU)

(72) Inventor: **Matthew Colegate**, Breamlea (AU)

(73) Assignee: **JOCO GROUP PTY LTD**, Breamlea (AU)

(**) Term: **15 Years**

(21) Appl. No.: **29/708,053**

(22) Filed: **Oct. 2, 2019**

(30) **Foreign Application Priority Data**

Apr. 3, 2019 (AU) 201911916

(51) **LOC (13) Cl.** **07-99**

(52) **U.S. Cl.**
USPC **D7/392.1**; D7/396.2; D9/449

(58) **Field of Classification Search**
USPC D9/434, 435, 439, 440, 442-450,
D9/452-457, 499, 503-505, 682, 685,
D9/686; D7/387, 391, 392, 392.1, 396.1,
D7/396.2, 507, 509-511, 538, 900;
D3/202, 203.2, 294, 318; D28/91, 91.1
CPC .. A61J 1/00; A61J 1/1412; B65D 1/00; B65D
1/02; B65D 1/10; B65D 1/46; B65D
5/46; B65D 41/00; B65D 41/38; B65D
41/56; B65D 41/62; B65D 47/00; B65D
47/06; B65D 47/08; B65D 2251/00;
B65D 2543/00046; B65D 2543/00092;
B65D 2543/00296

See application file for complete search history.

(56) **References Cited**

U.S. PATENT DOCUMENTS

D355,121 S * 2/1995 Kohl D9/447
D372,866 S * 8/1996 Ahern, Jr. D7/392.1

D485,759 S * 1/2004 Janky D9/449
D609,092 S * 2/2010 Laib D9/449
D623,017 S * 9/2010 George D7/510
D643,245 S * 8/2011 Minarsch D7/392.1
D644,060 S * 8/2011 Komeiji D7/392.1
D691,416 S * 10/2013 Eyal D7/396.2
D692,756 S * 11/2013 McClellan D9/447
D719,023 S * 12/2014 Hu D9/449
D752,381 S * 3/2016 Wahl D7/900
D761,618 S * 7/2016 Lapsker D7/392.1
D764,231 S * 8/2016 Szymanski D7/392.1
D818,312 S * 5/2018 Burns D7/396.2
D842,107 S * 3/2019 Bardet D9/449
D851,445 S * 6/2019 Silsby D7/392.1
D856,069 S * 8/2019 Barber D7/392.1
D863,876 S * 10/2019 Alprin D7/392.1
D866,250 S * 11/2019 Barber D7/392.1
D886,514 S * 6/2020 Kander D7/392.1
D899,192 S * 10/2020 Yu D7/512
D902,646 S * 11/2020 Seiders D7/396.2

(Continued)

Primary Examiner — Wendy L Arminio

(74) *Attorney, Agent, or Firm* — Tucker Ellis LLP

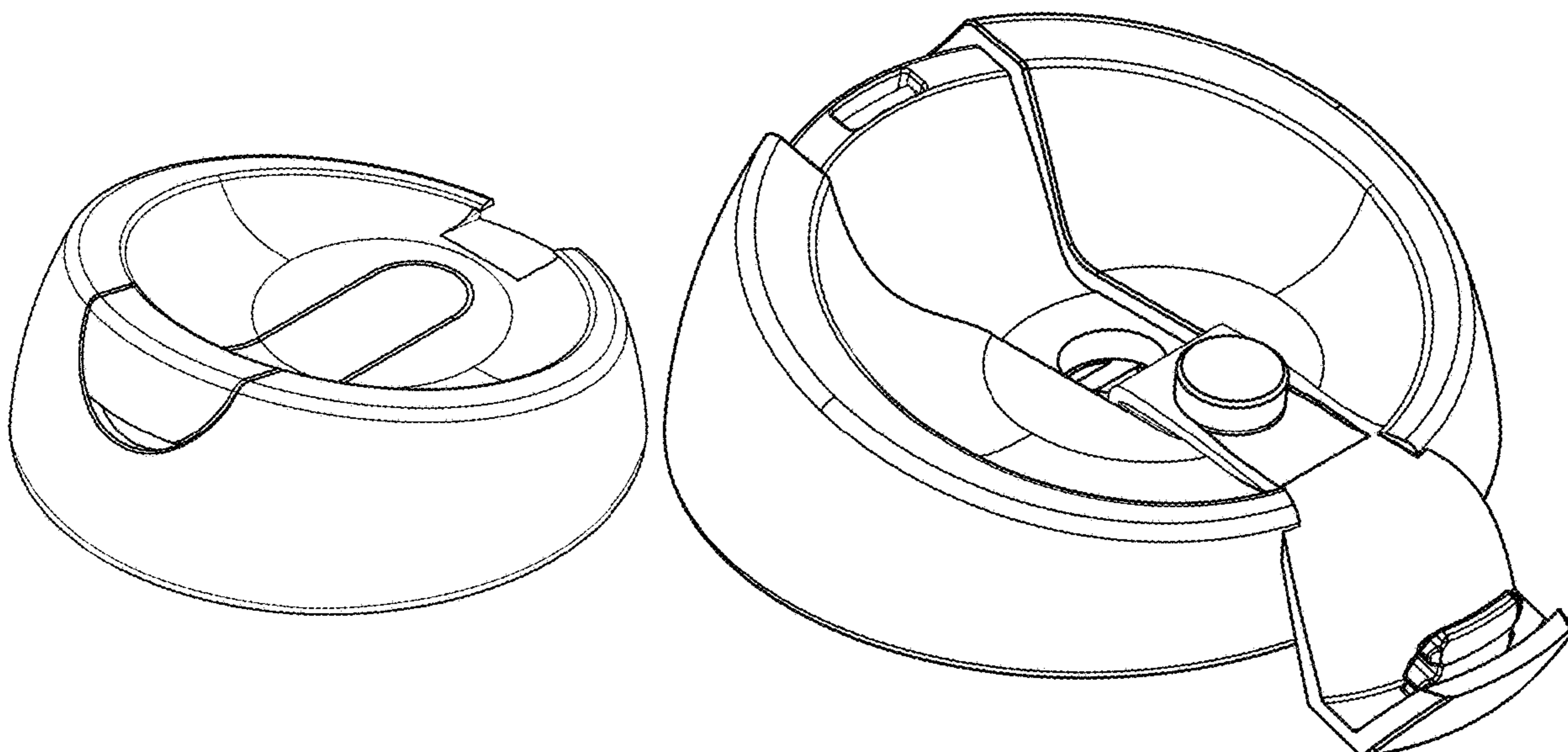
(57) **CLAIM**

The ornamental design for a lid, as shown and described.

DESCRIPTION

FIG. 1 is a front-left-top perspective view of a lid showing my new design;
FIG. 2 is a front-right-top perspective view thereof;
FIG. 3 is an enlarged rear-right-top perspective view thereof;
FIG. 4 is a front view thereof;
FIG. 5 is a rear view thereof;
FIG. 6 is a left side view thereof;
FIG. 7 is a right side view thereof;
FIG. 8 is a top view thereof; and,
FIG. 9 is a rear-right-top perspective view of the lid with a cover portion in an open position.

1 Claim, 6 Drawing Sheets



(56)

References Cited

U.S. PATENT DOCUMENTS

2008/0054005 A1* 3/2008 Cai B65D 47/0847
220/711
2009/0236373 A1* 9/2009 Laib B65D 23/102
222/484
2009/0266828 A1* 10/2009 Cai B65D 43/0212
220/712
2013/0140309 A1* 6/2013 George B65D 43/02
220/254.1

* cited by examiner

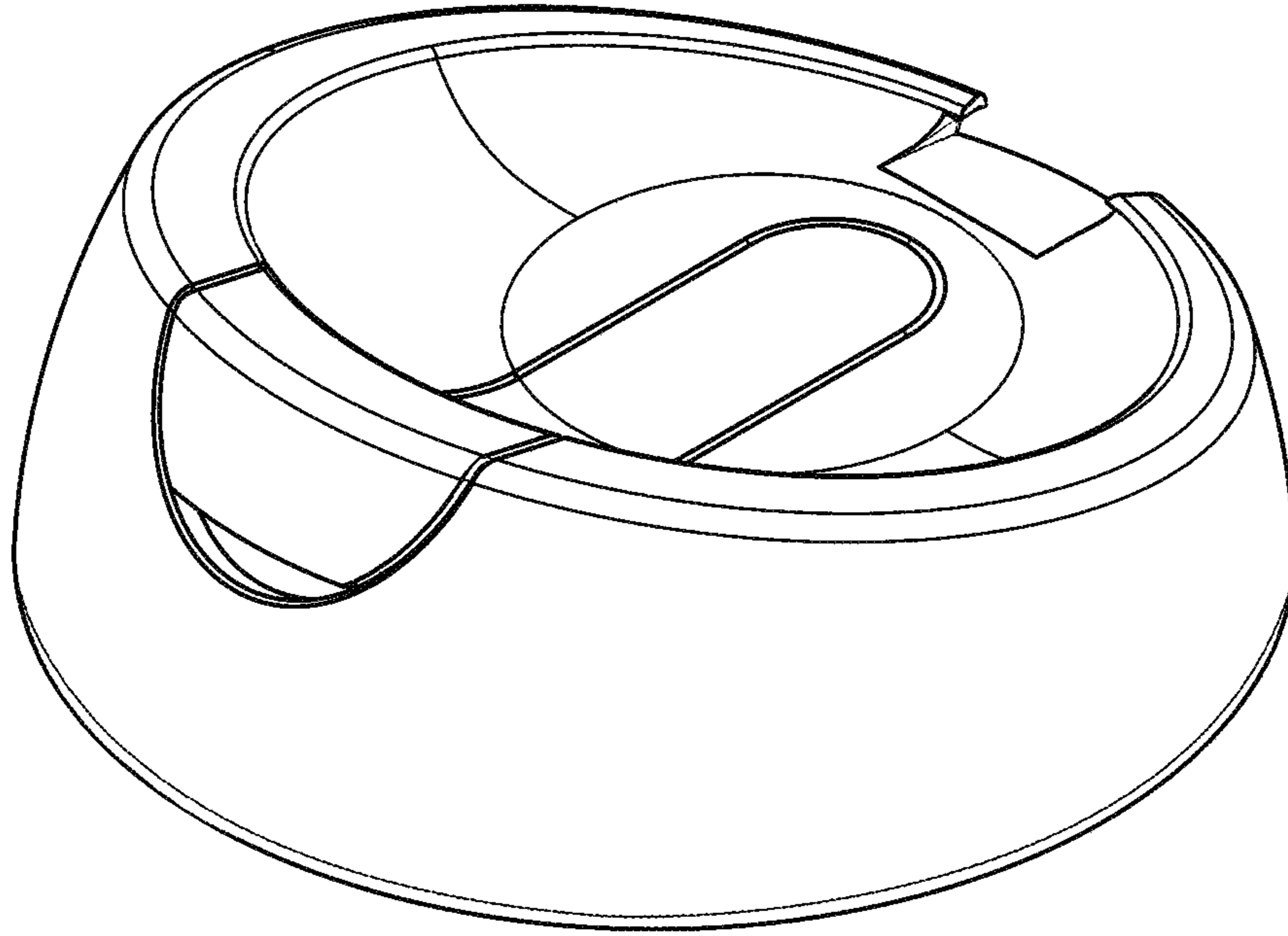


FIG. 1

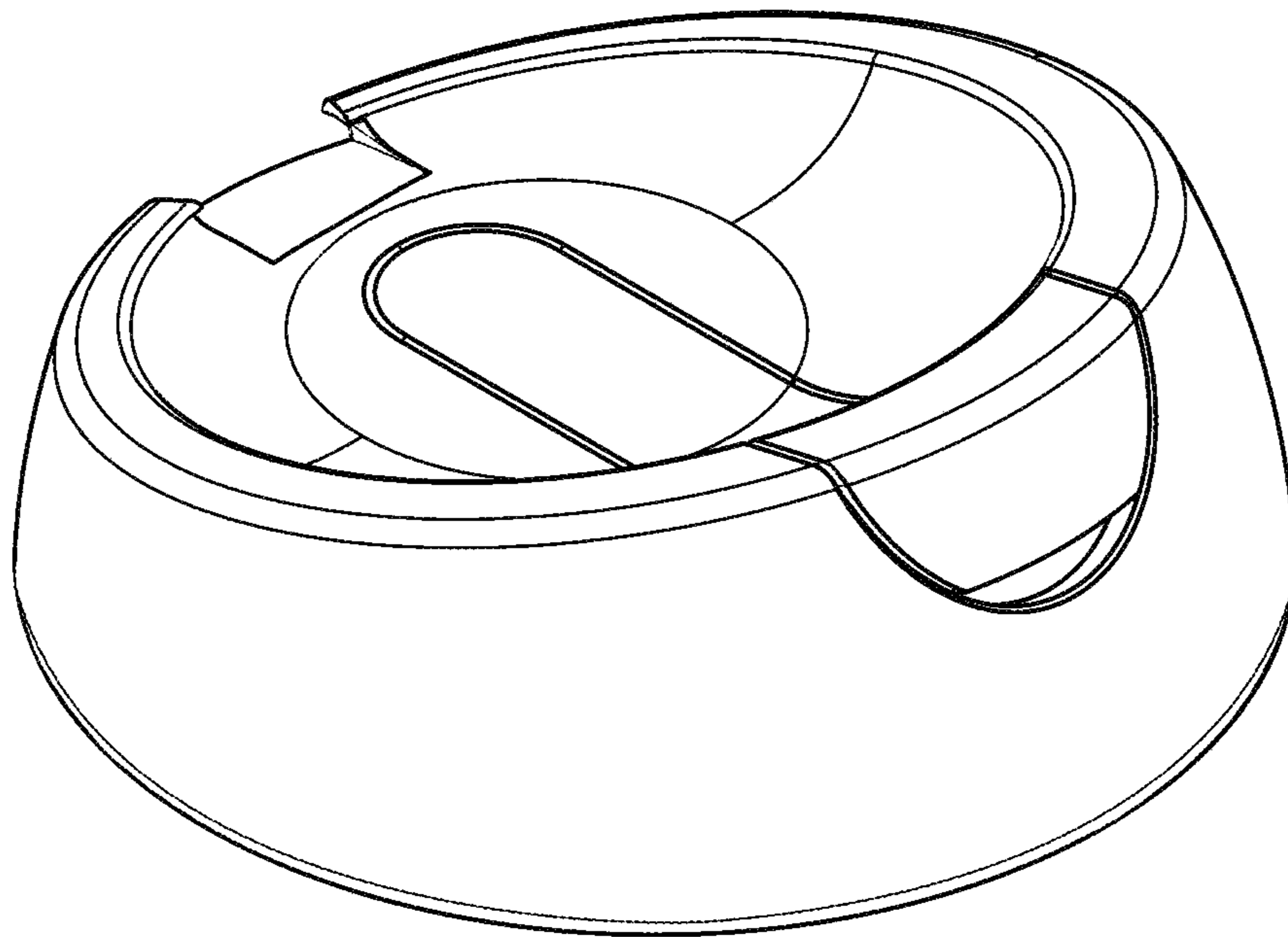


FIG. 2

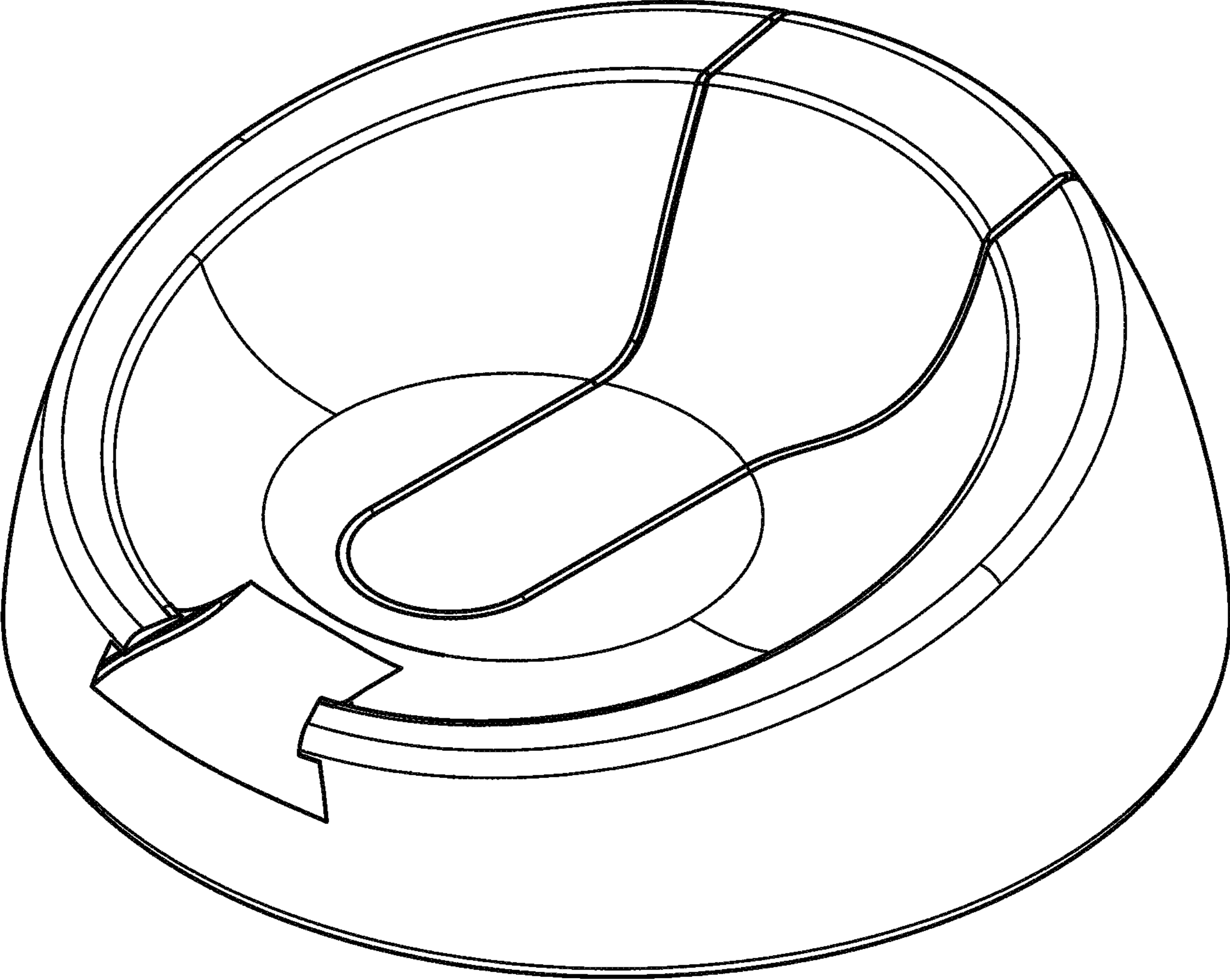


FIG. 3

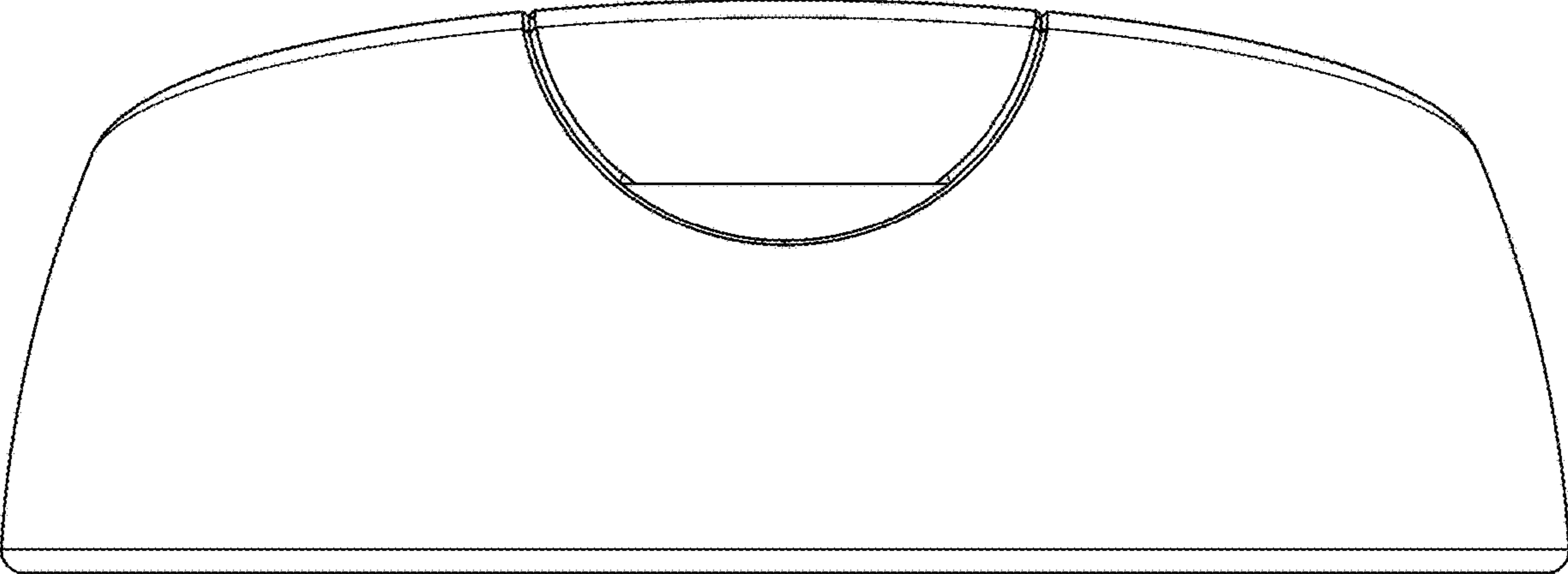


FIG. 4

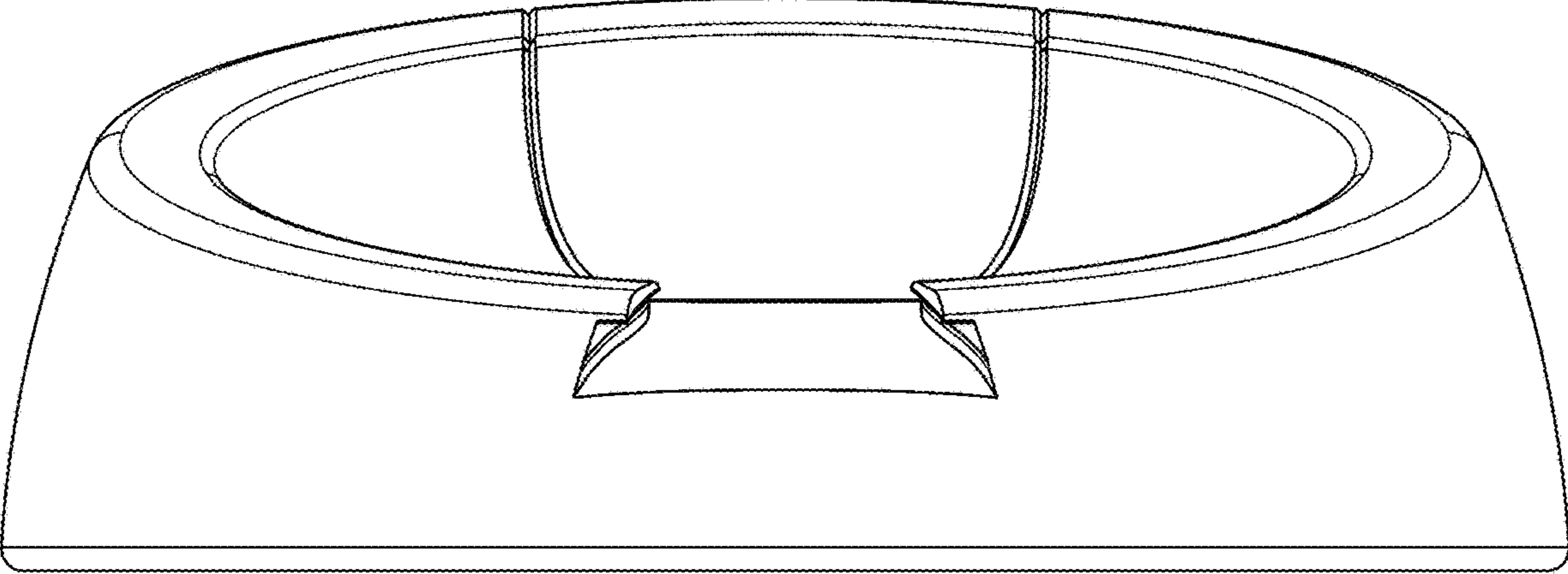


FIG. 5

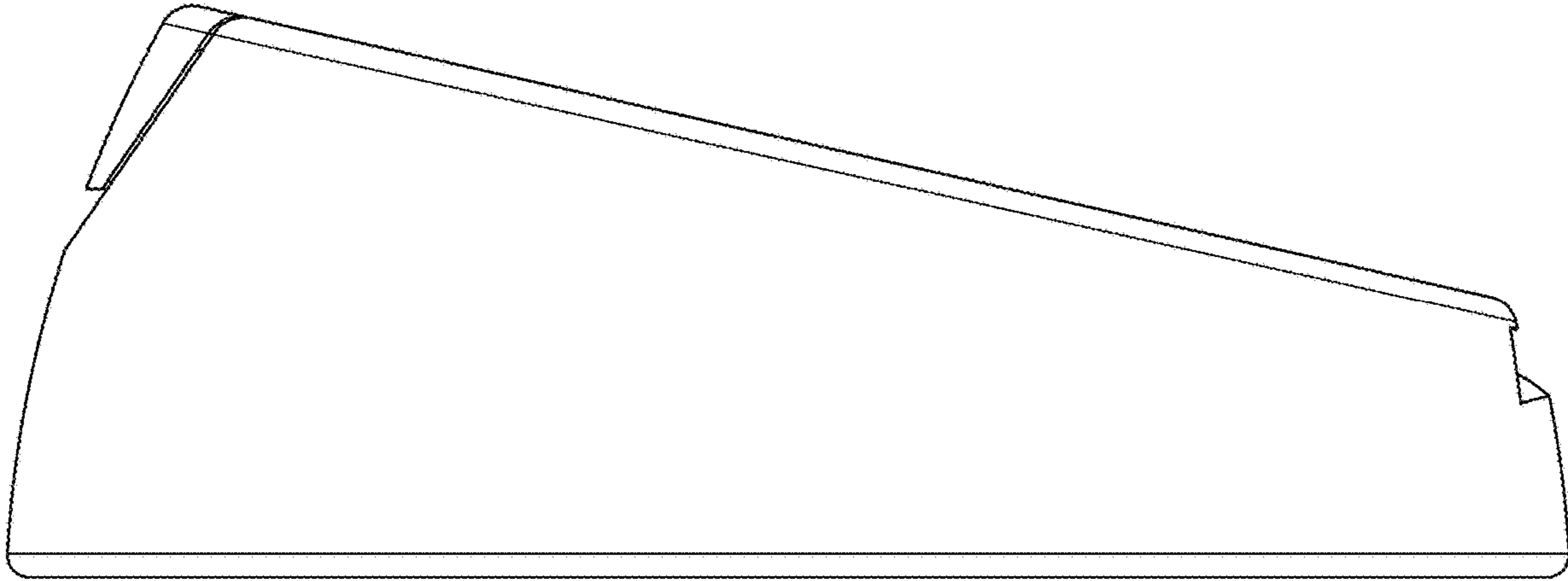


FIG. 6

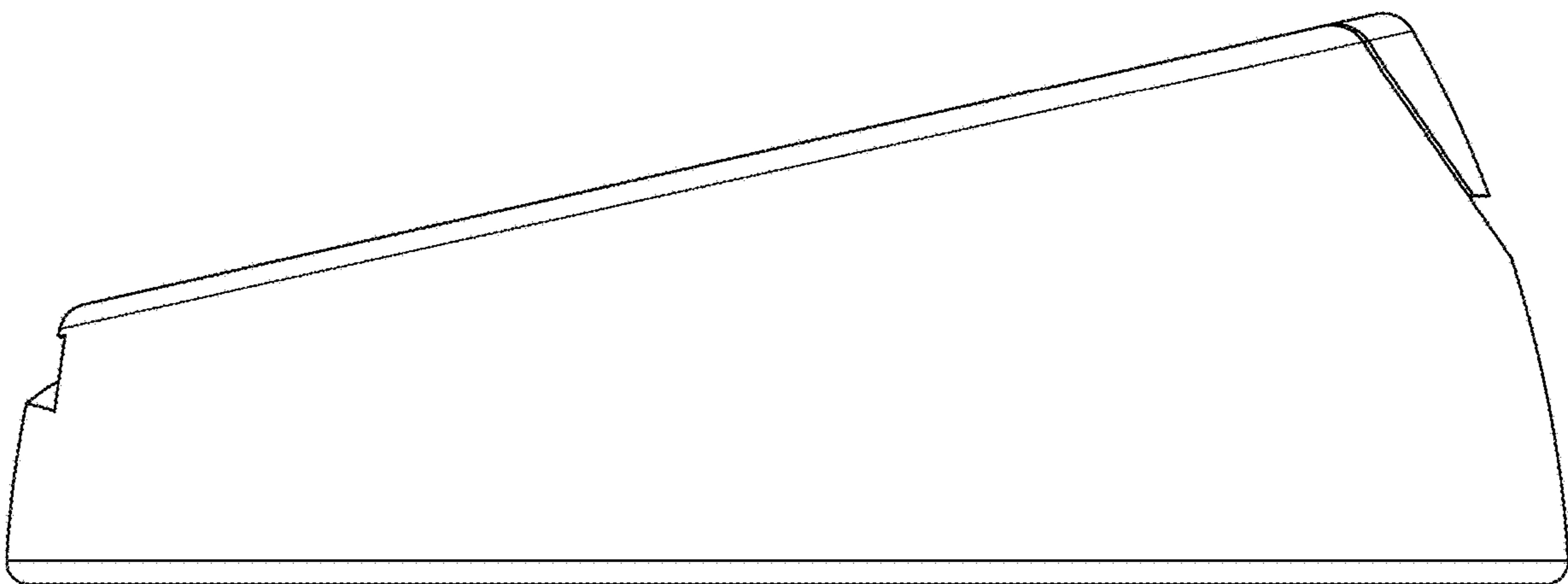


FIG. 7

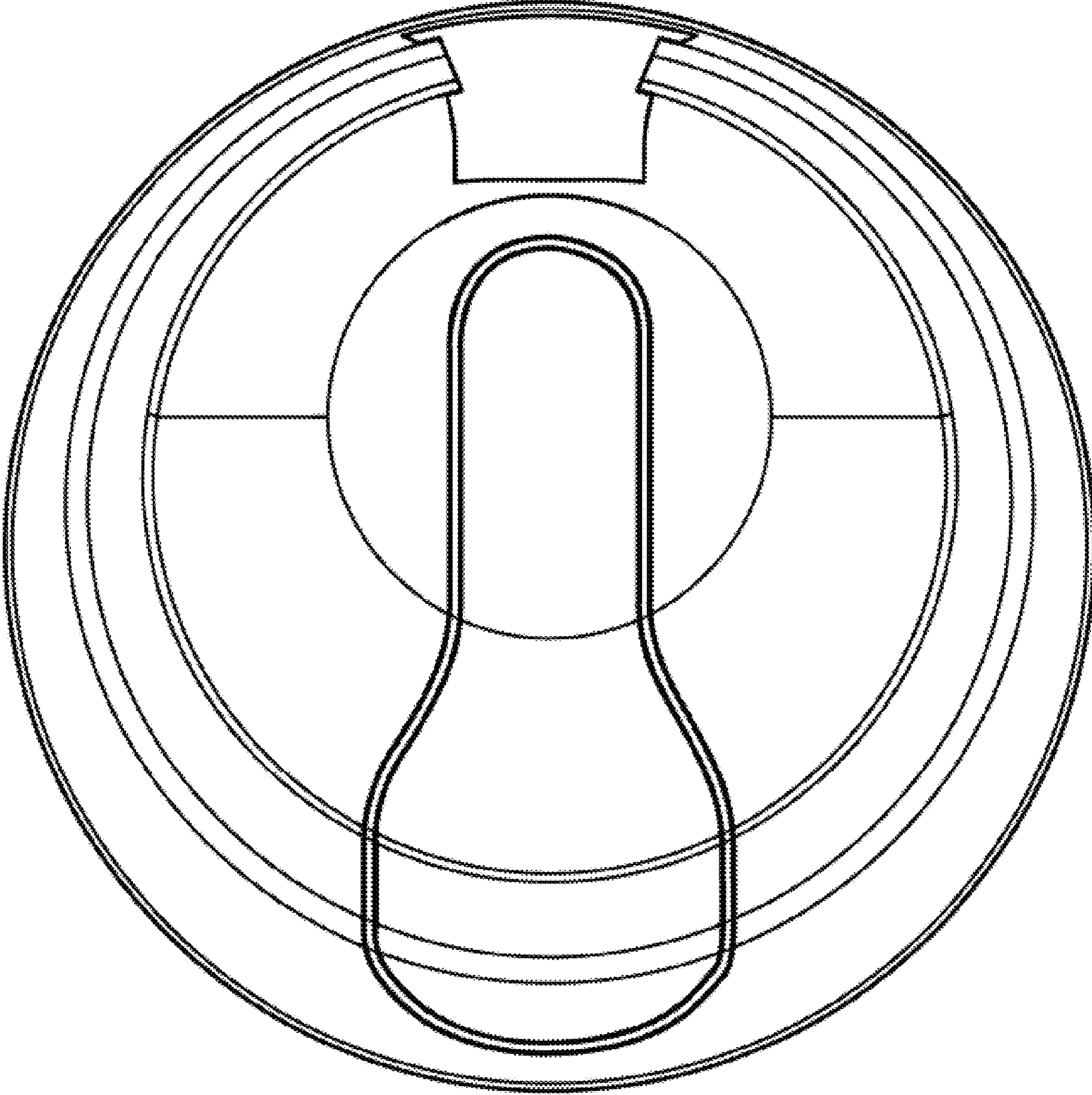


FIG. 8

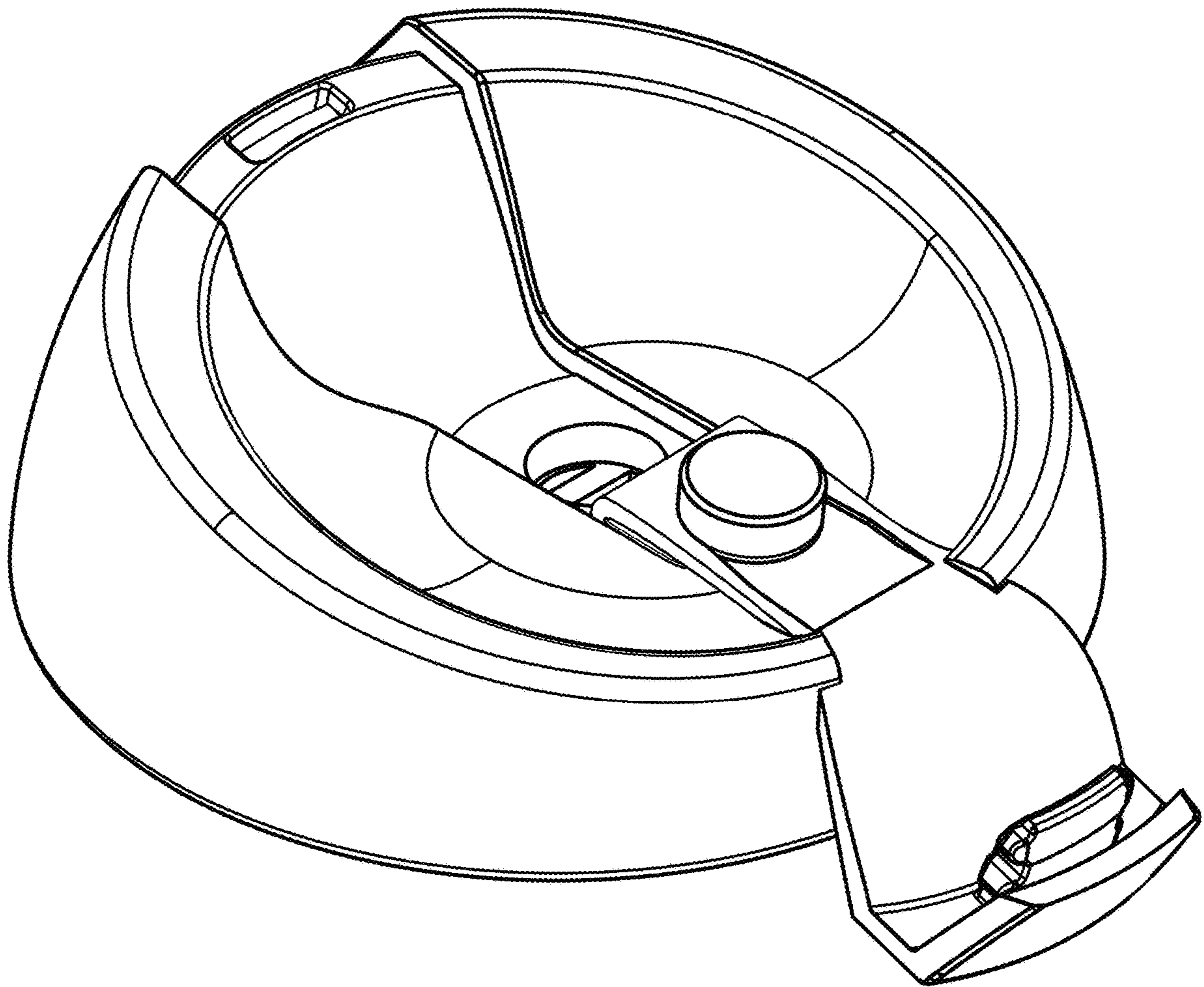


FIG. 9