



US00D923392S

(12) **United States Design Patent**
Wang

(10) **Patent No.:** **US D923,392 S**

(45) **Date of Patent:** **** Jun. 29, 2021**

(54) **CUP LID**

(71) Applicant: **Tommy Songfong Wang**, City of Industry, CA (US)

(72) Inventor: **Tommy Songfong Wang**, City of Industry, CA (US)

(**) Term: **15 Years**

(21) Appl. No.: **29/653,989**

(22) Filed: **Jun. 20, 2018**

(51) **LOC (13) Cl.** **07-99**

(52) **U.S. Cl.**
USPC **D7/391; D7/392.1**

(58) **Field of Classification Search**
USPC D7/391, 392, 392.1, 396.2, 509, 510,
D7/511, 607, 669, 665, 693, 700;
D9/424, 430, 435, 440, 445, 447, 449,
D9/450, 451, 452, 503, 525
CPC A47G 19/22; A47G 19/2205; A47G
19/2227; A47G 19/2266; A47F 3/16
See application file for complete search history.

(56) **References Cited**

U.S. PATENT DOCUMENTS

D232,703 S *	9/1974	Konzi	D9/424
D388,703 S *	1/1998	Hayes	D9/425
D432,859 S *	10/2000	Hayes	D7/392.1
D445,641 S *	7/2001	Conti	D7/392.1
D446,077 S *	8/2001	Tucker	D7/392.1
D446,117 S *	8/2001	Conti	D7/392.1
D447,382 S *	9/2001	Tucker	D7/392.1
D448,606 S *	10/2001	Conti	D7/392.1
D448,969 S *	10/2001	Conti	D7/392.1
D454,785 S *	3/2002	Nance	B65D 25/22 D9/424
D516,859 S *	3/2006	Zettle	D7/392.1

D721,246 S *	1/2015	Thurin	D7/392.1
D723,864 S *	3/2015	Thurin	D7/392.1
D730,112 S *	5/2015	Yessin	D7/392.1
D744,336 S *	12/2015	Thurin	D7/392.1
D782,303 S *	3/2017	Strachan	D7/392.1
D802,361 S *	11/2017	Sarnoff	D7/392.1

* cited by examiner

Primary Examiner — Karen S Acker

Assistant Examiner — Steven B Reinholdt, Jr.

(74) *Attorney, Agent, or Firm* — Tommy S F Wang;
Wang IP Law Group, P.C.

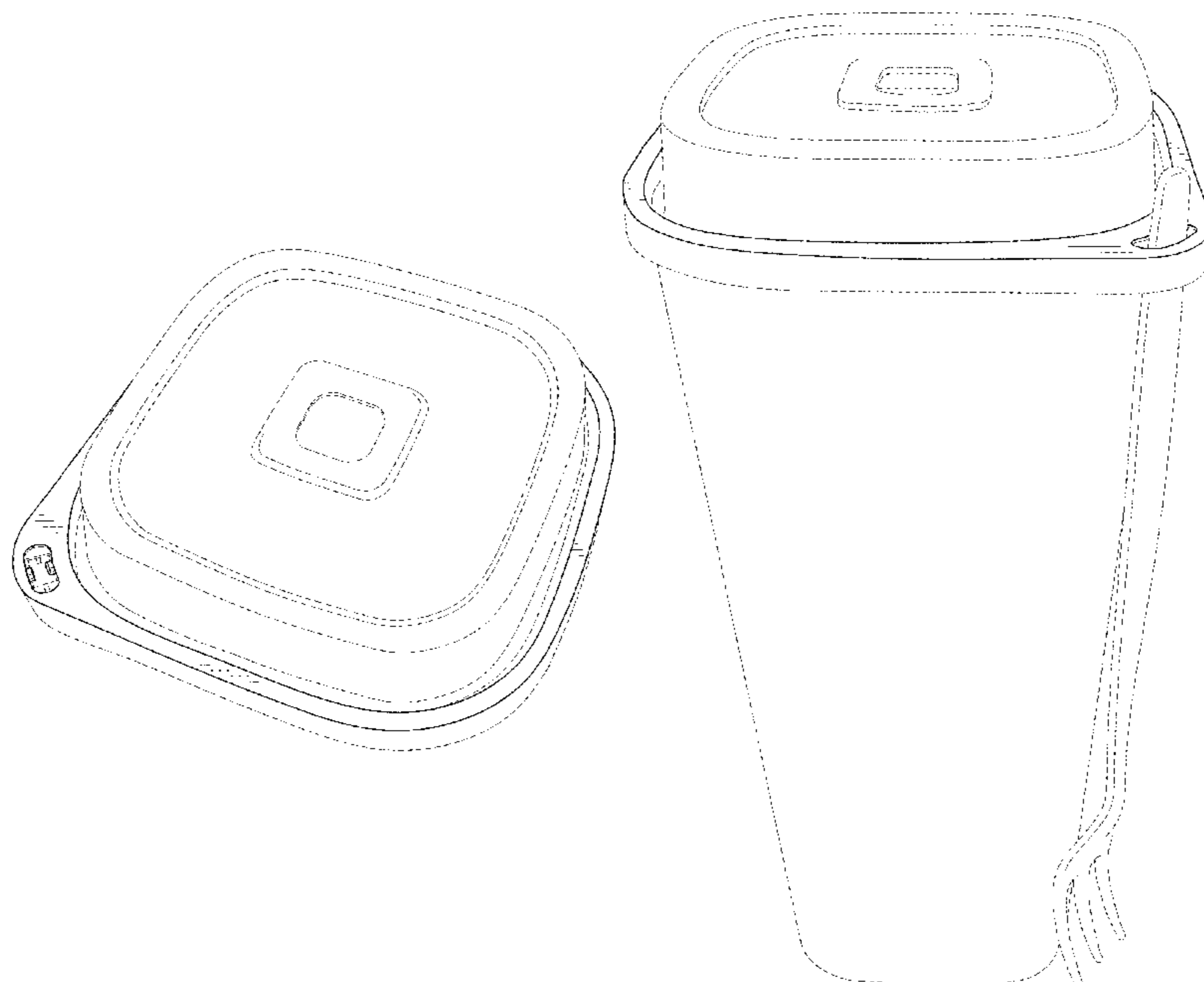
(57) **CLAIM**

The ornamental design for a cup lid, as shown and described.

DESCRIPTION

FIG. 1 is a perspective view of a cup lid showing my new design;
 FIG. 2 is a front view thereof;
 FIG. 3 is a rear view thereof;
 FIG. 4 is a left side view thereof;
 FIG. 5 is a right side view thereof;
 FIG. 6 is a top view thereof;
 FIG. 7 is a bottom view thereof;
 FIG. 8 is a perspective view of the cup lid of FIG. 1 shown in a use configuration with a cup and an utensil as environment; and,
 FIG. 9 is another perspective view thereof.
 The broken lines and unshaded areas depict portions of the cup lid that form no part of the claimed design.
 The broken lines in FIGS. 8-9 illustrate the cup and the utensil as environment that forms no part of the claimed design.

1 Claim, 5 Drawing Sheets



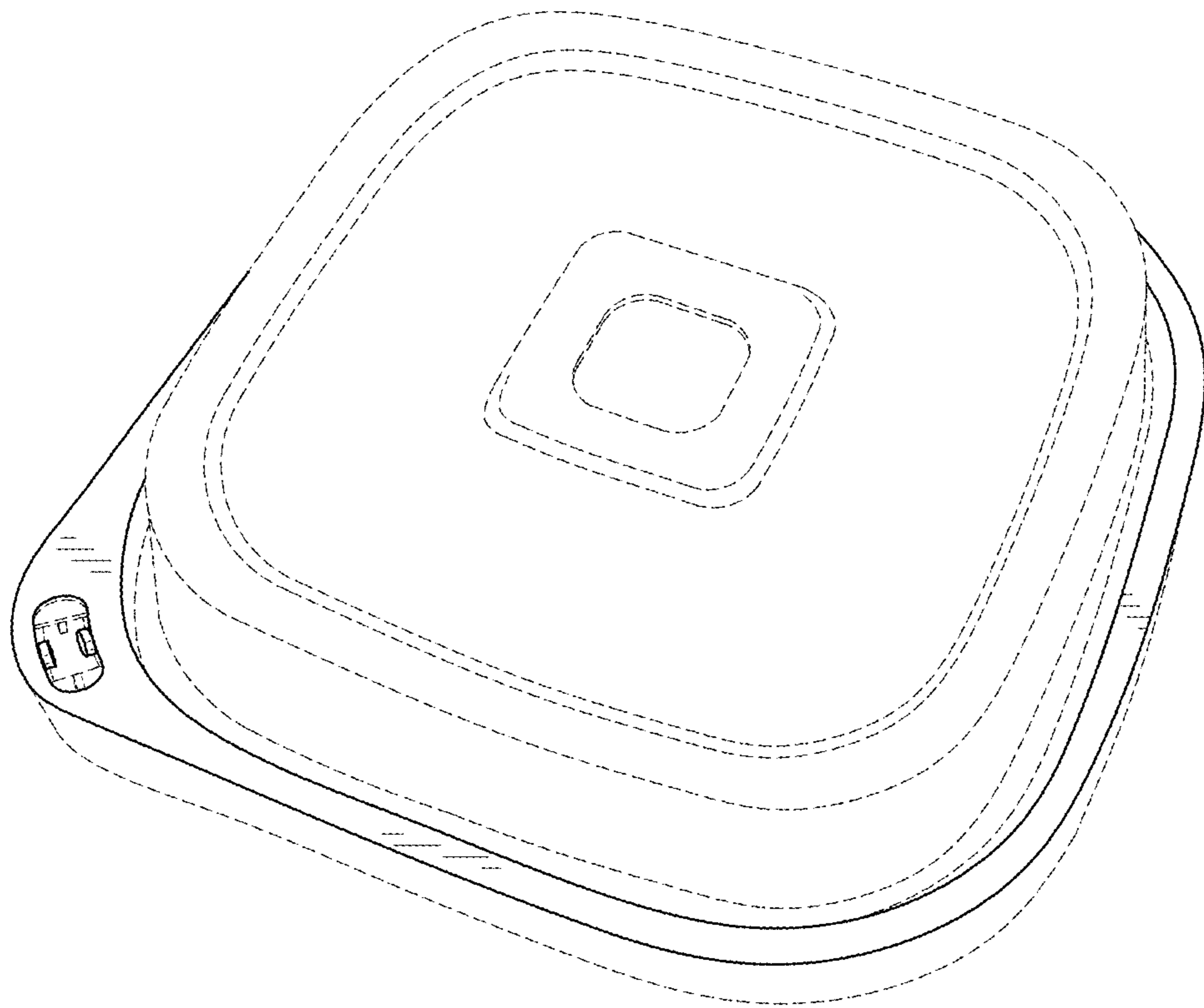


FIG. 1

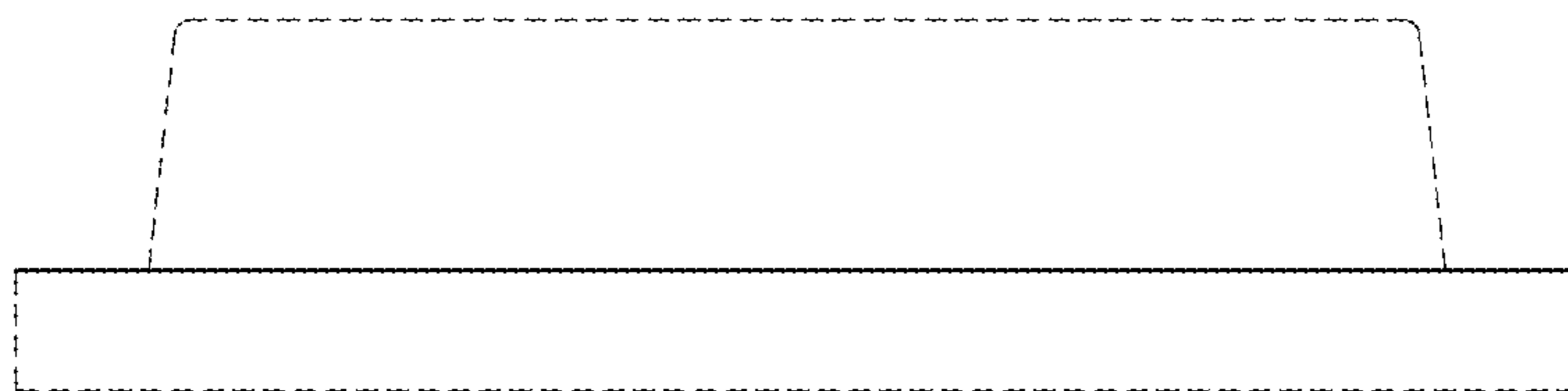


FIG. 2

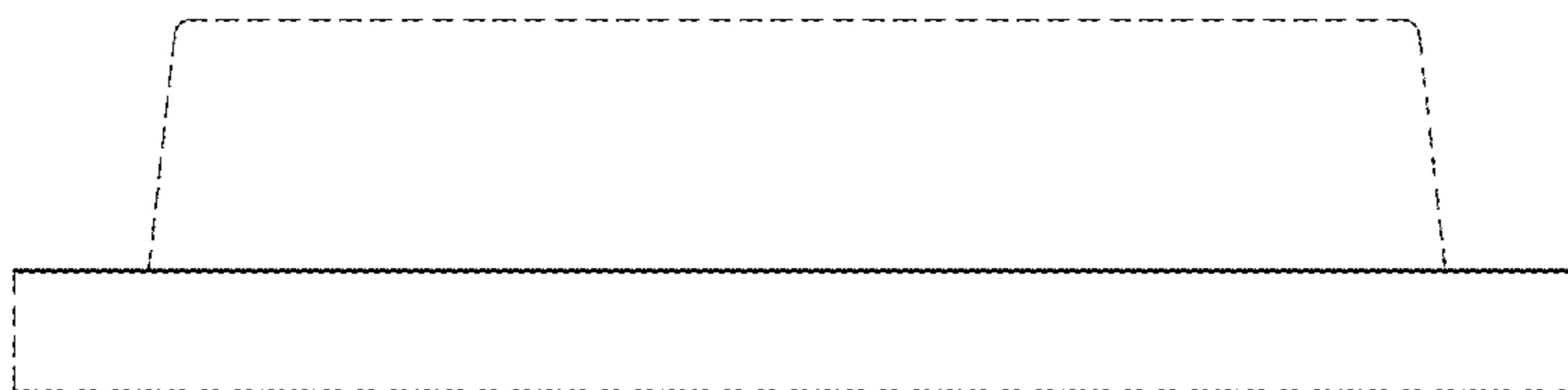


FIG. 3

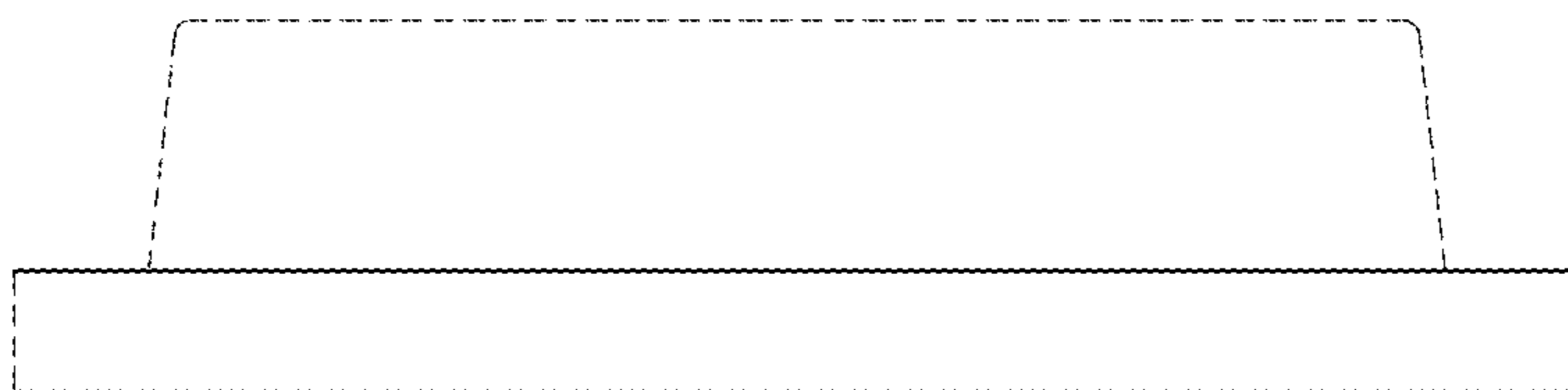


FIG. 4

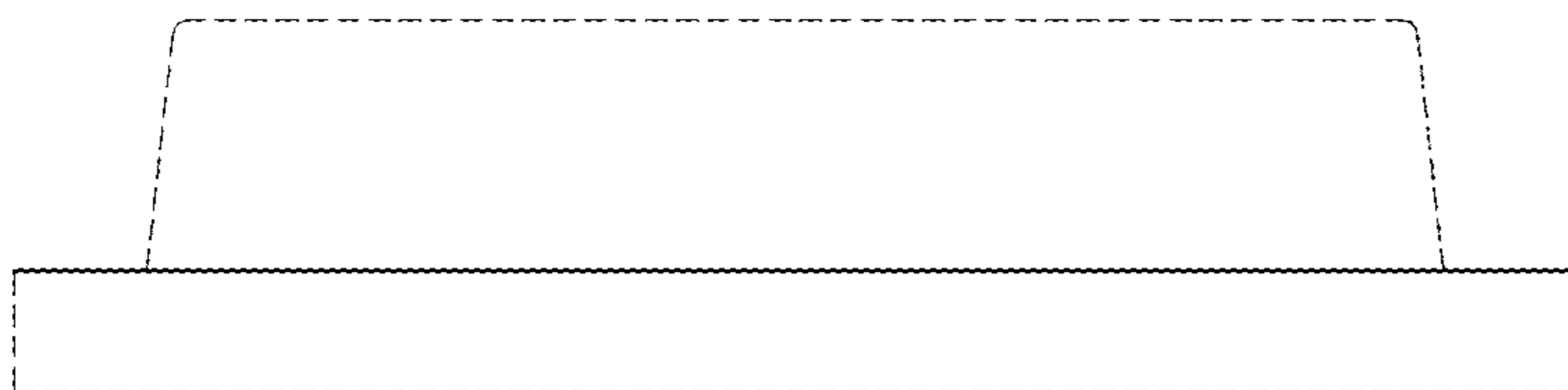


FIG. 5

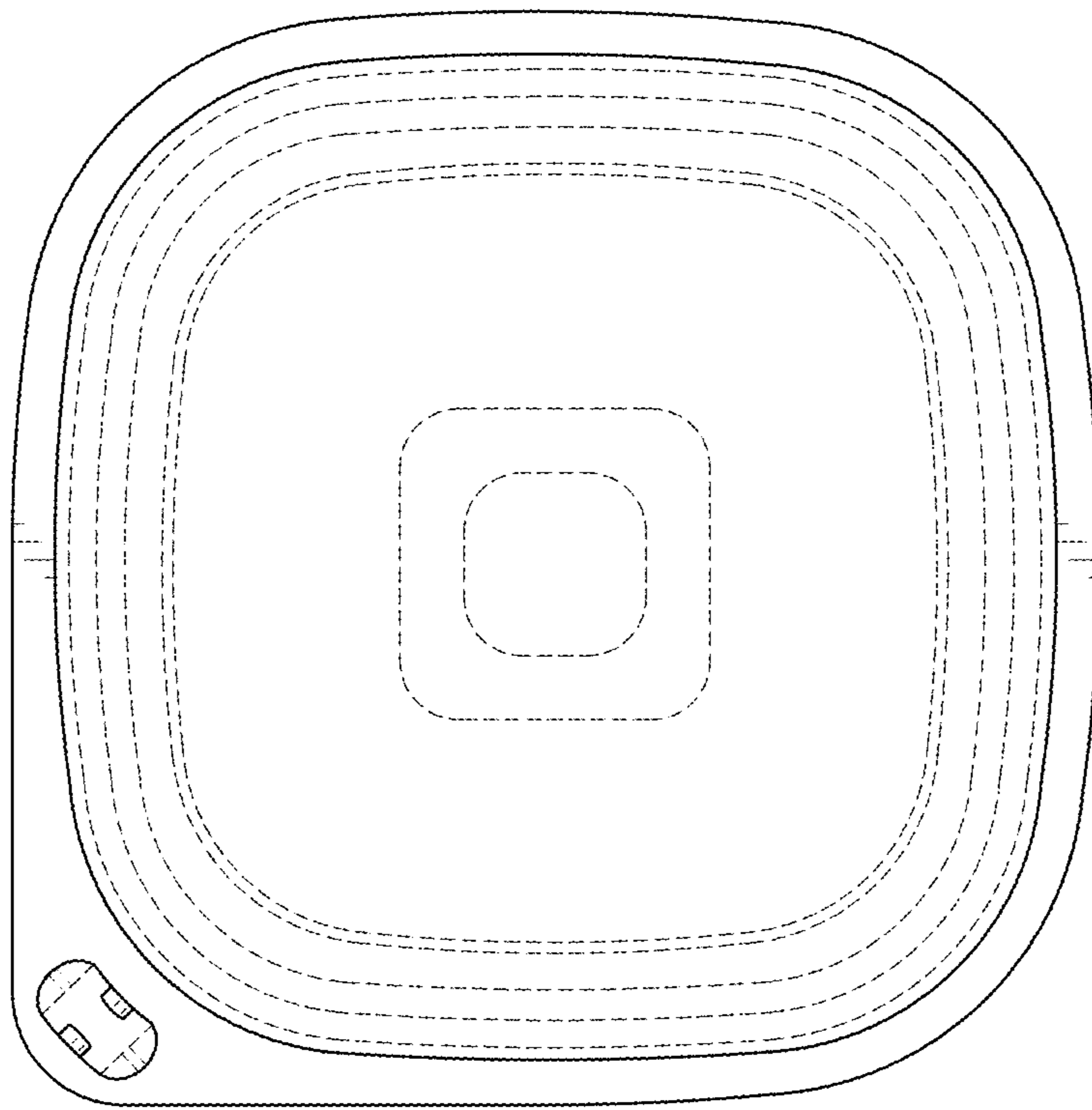


FIG. 6

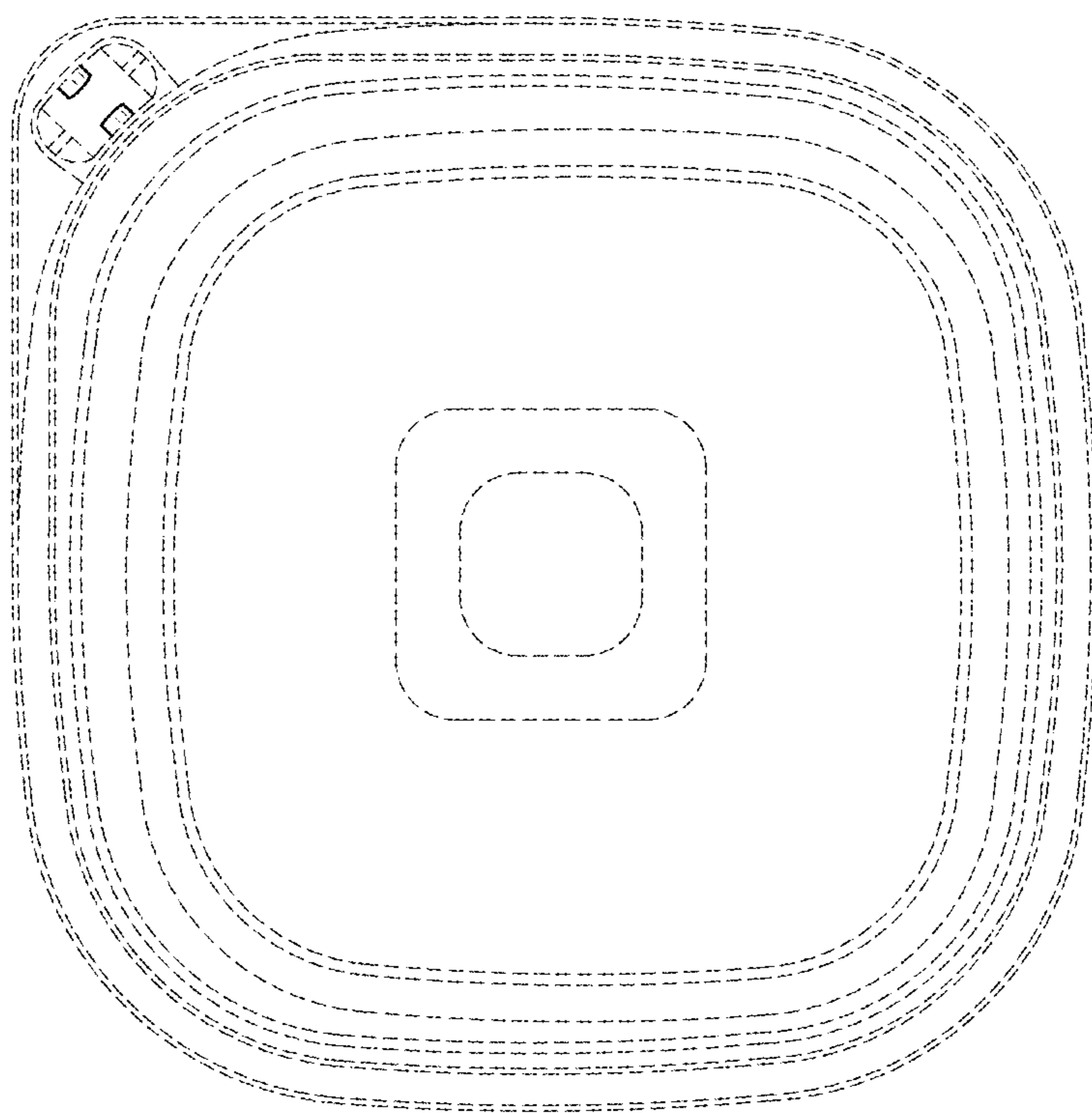


FIG. 7

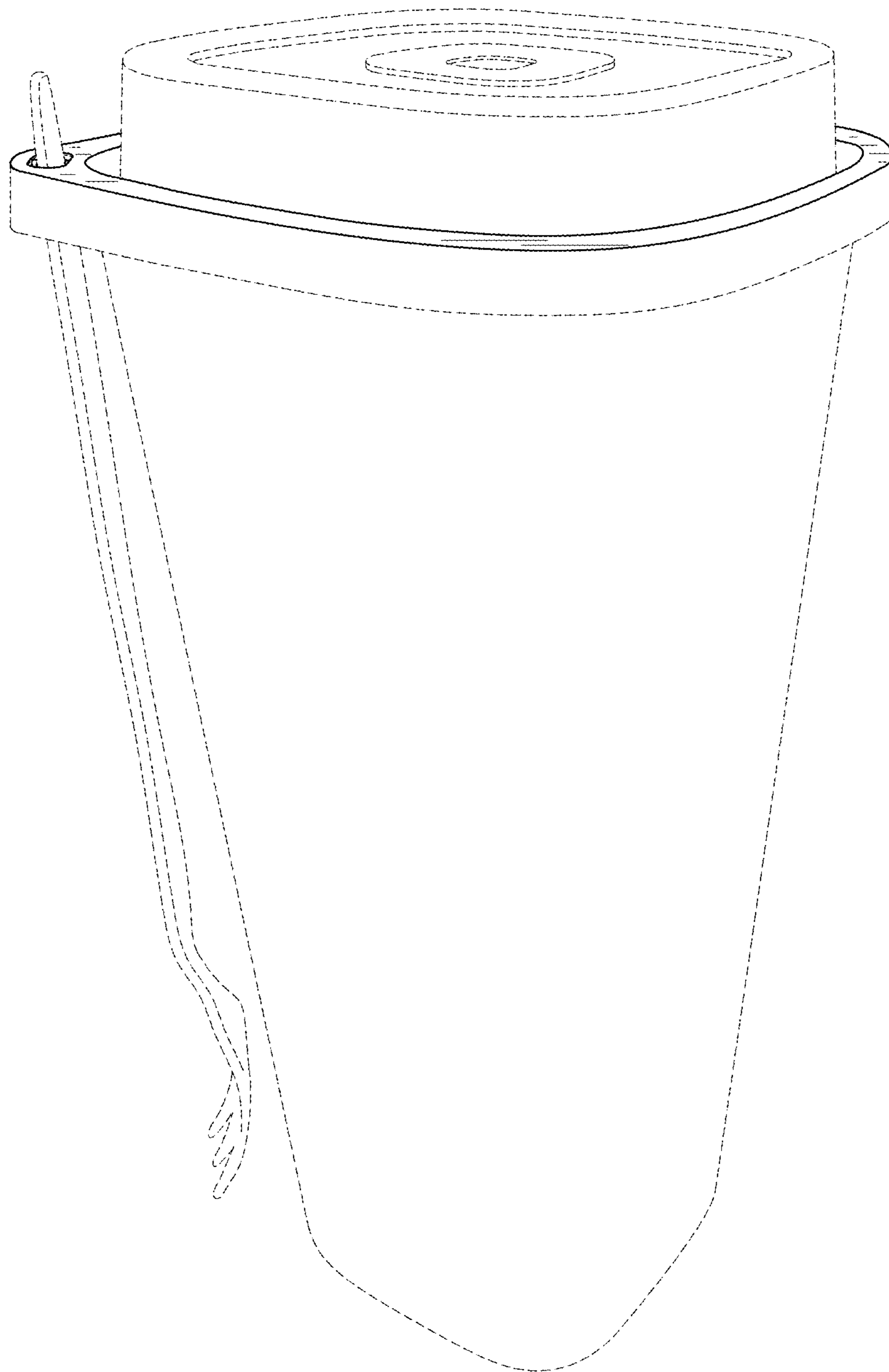


FIG. 8

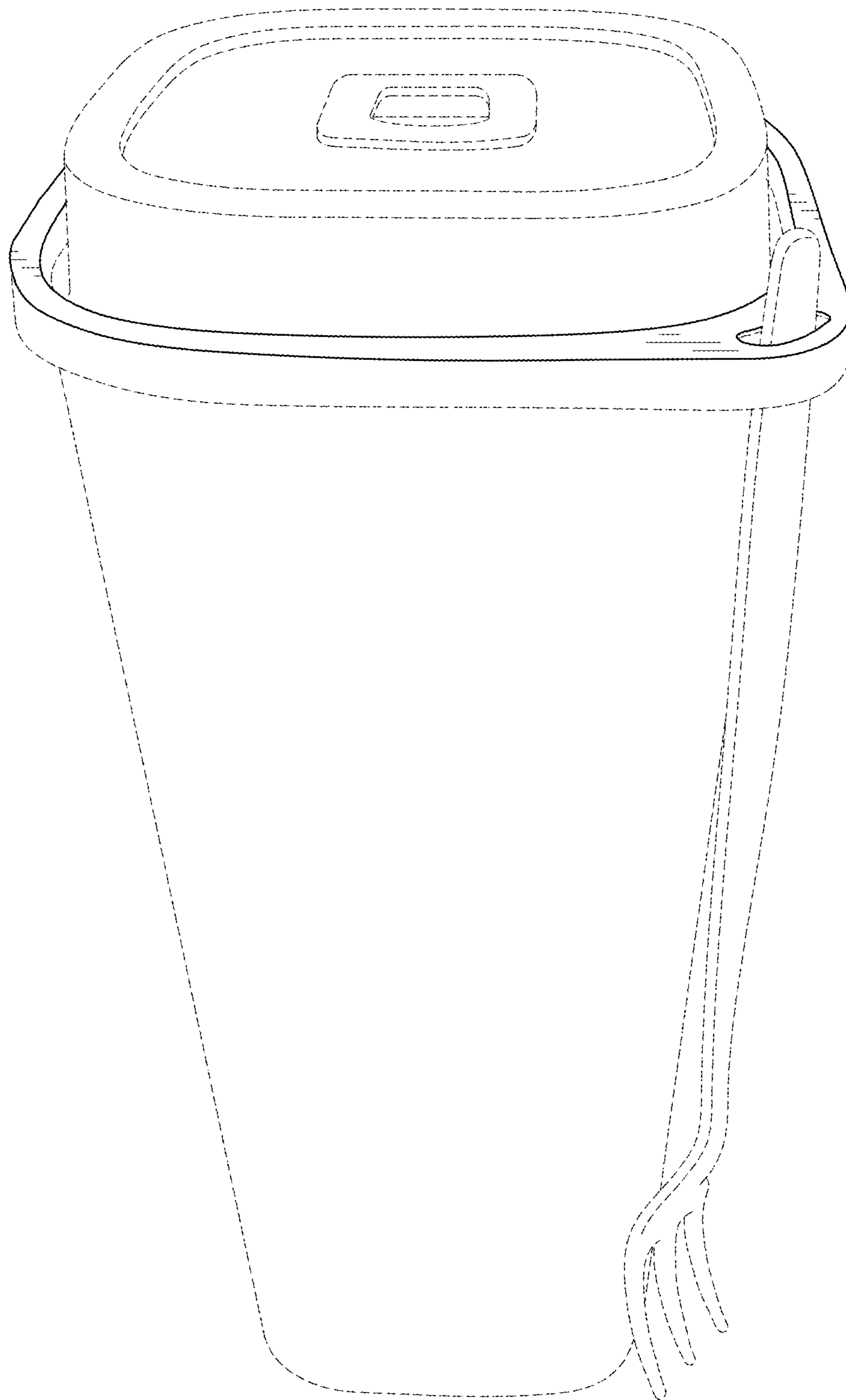


FIG. 9