



US00D923390S

(12) **United States Design Patent**
You et al.

(10) **Patent No.:** **US D923,390 S**
(45) **Date of Patent:** **** Jun. 29, 2021**

- (54) **RICE MILLING MACHINE**
 - (71) Applicant: **LG ELECTRONICS INC.**, Seoul (KR)
 - (72) Inventors: **Hyunhee You**, Seoul (KR); **Sungkyung Kim**, Seoul (KR); **Joo-Gyeom Kim**, Seoul (KR); **Kyoungmin Baek**, Seoul (KR); **Woonkyu Seo**, Seoul (KR); **Hyunsun Yoo**, Seoul (KR); **Yousook Eun**, Seoul (KR); **Hyejin Choi**, Seoul (KR)
 - (73) Assignee: **LG ELECTRONICS INC.**, Seoul (KR)
 - (**) Term: **15 Years**
 - (21) Appl. No.: **29/678,164**
 - (22) Filed: **Jan. 25, 2019**
 - (51) **LOC (13) Cl.** **31-00**
 - (52) **U.S. Cl.**
USPC **D7/384**; D7/413; D7/372
 - (58) **Field of Classification Search**
USPC D7/306, 309, 372, 374, 376, 377, 378, D7/379, 380, 381, 383, 384, 385, 386, D7/412, 413, 598, 694, 669, 679
CPC .. A47J 43/04; A47J 43/25; A47J 43/27; A47J 43/042; A47J 43/044; A47J 43/046; A47J 43/075; A47J 43/0722; A47J 43/0727; A47J 42/40; A21C 1/02; A21C 1/04; A23G 9/045; A23N 1/00; A23N 1/02; B01F 3/00; B01F 3/0807; B01F 3/0853; B01F 13/0059; B01F 13/0064; B02C 1/08; B02C 2/04; B02C 4/42; B02C 4/142; B02C 4/143; B02C 4/423; B02C 13/1835; B28C 5/10; B28C 5/12; B28C 5/14; B28C 5/16
- See application file for complete search history.

- D834,363 S * 11/2018 Dash D7/319
- D859,063 S * 9/2019 Lee D7/378
- D859,064 S * 9/2019 Lee D7/386
- D859,076 S * 9/2019 Lee D7/413
- D867,053 S * 11/2019 Lee D7/386
- D867,054 S * 11/2019 Lee D7/386

(Continued)

OTHER PUBLICATIONS

Stainless Steel Electric Coffee Grinder Small Coffee Mill Bean Rice Spices Grinding Machine For Household Herbal Crusher, announced © 2010-2020 [online], retrieved Jul. 20, 2020, retrieved from internet, https://www.aliexpress.com/item/32870552067.html?aff_platform=dynamic-window&sk=AMnm2vF&aff_trace_key=ffe5aa1ae.

(Continued)

Primary Examiner — Dana K Weiland
Assistant Examiner — Messina L Smith
(74) *Attorney, Agent, or Firm* — Birch, Stewart, Kolasch & Birch, LLP

(57) **CLAIM**

The ornamental design for a rice milling machine, as shown and described.

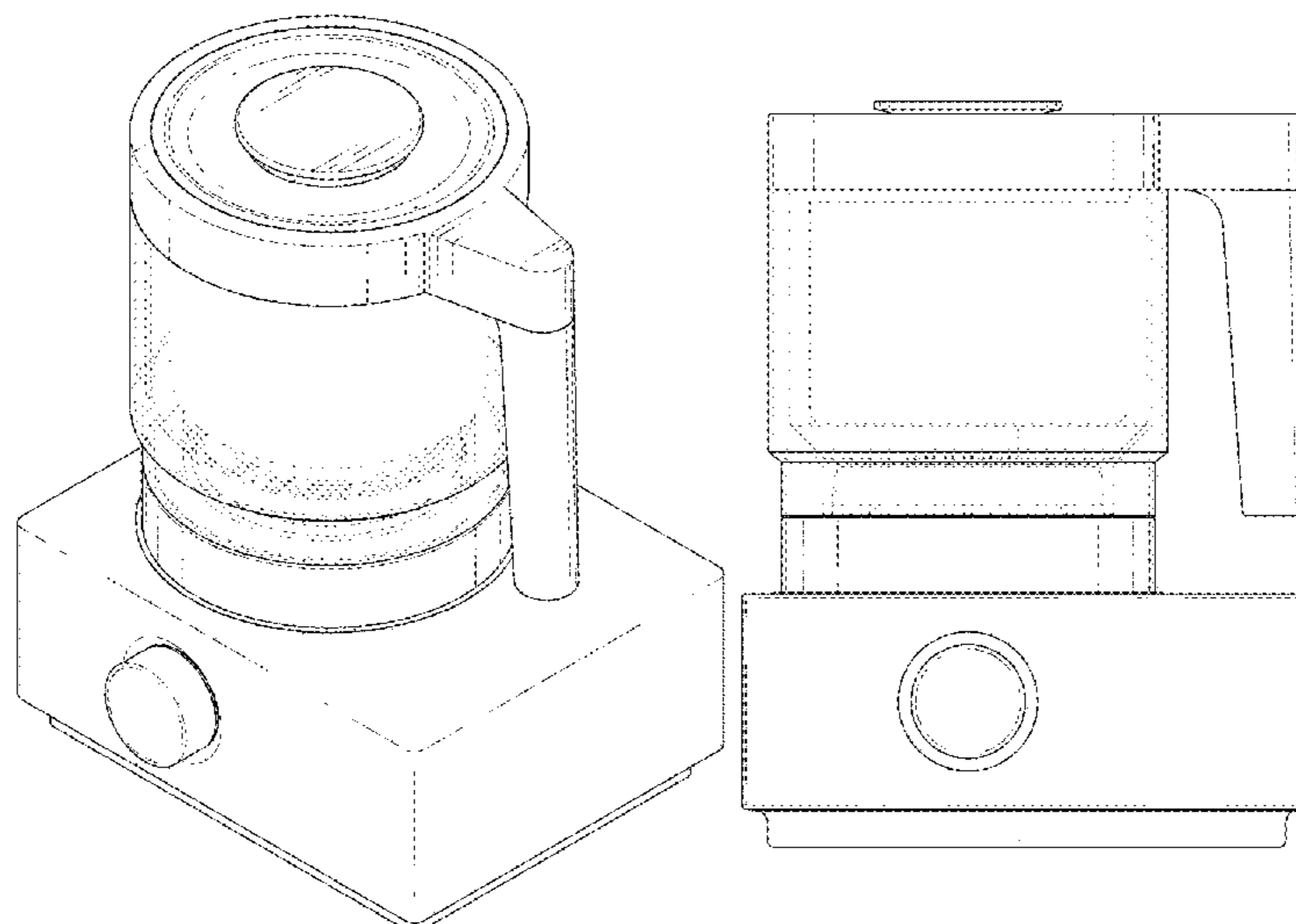
DESCRIPTION

FIG. 1 is a front, right side, perspective view of a rice milling machine showing our new design; FIG. 2 is a front view thereof; FIG. 3 is a rear view thereof; FIG. 4 is a left side view thereof; FIG. 5 is a right side view thereof; FIG. 6 is a top view thereof; and, FIG. 7 is a bottom view thereof. The broken lines shown in the figures depict portions of the rice milling machine that form no part of the claimed design.

1 Claim, 7 Drawing Sheets

(56) **References Cited**
U.S. PATENT DOCUMENTS

- D466,363 S * 12/2002 Dalton D7/384
- D793,152 S * 8/2017 Gushwa D7/384



(56)

References Cited

U.S. PATENT DOCUMENTS

D876,869 S * 3/2020 Ha D7/317
D881,637 S * 4/2020 Ye D7/384
D897,772 S * 10/2020 Kim D7/413
2004/0107843 A1* 6/2004 Oldani A47J 31/4489
99/452
2007/0095959 A1* 5/2007 Narai A47J 43/255
241/92
2010/0018403 A1* 1/2010 Hoare A47J 31/20
99/281

OTHER PUBLICATIONS

Satake Magic mill kitchen for rice mill, announced Jul. 12, 2017
[online], retrieved Jul. 20, 2020, retrieved from internet, <https://www.amazon.com/Satake-Magic-kitchen-pearl-RSKM300/dp/B01NALCDOU>.*

* cited by examiner

FIG. 1

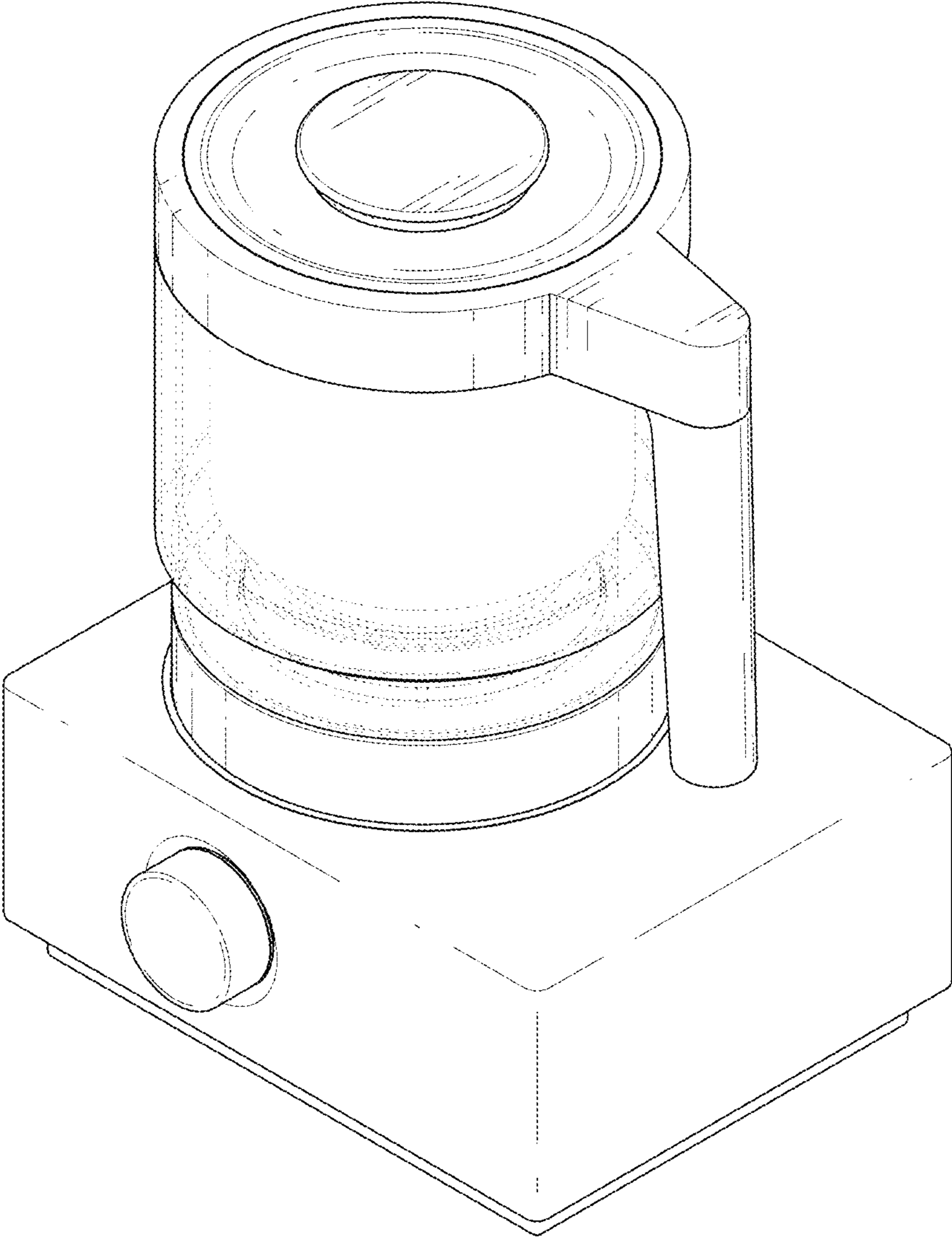


FIG. 2

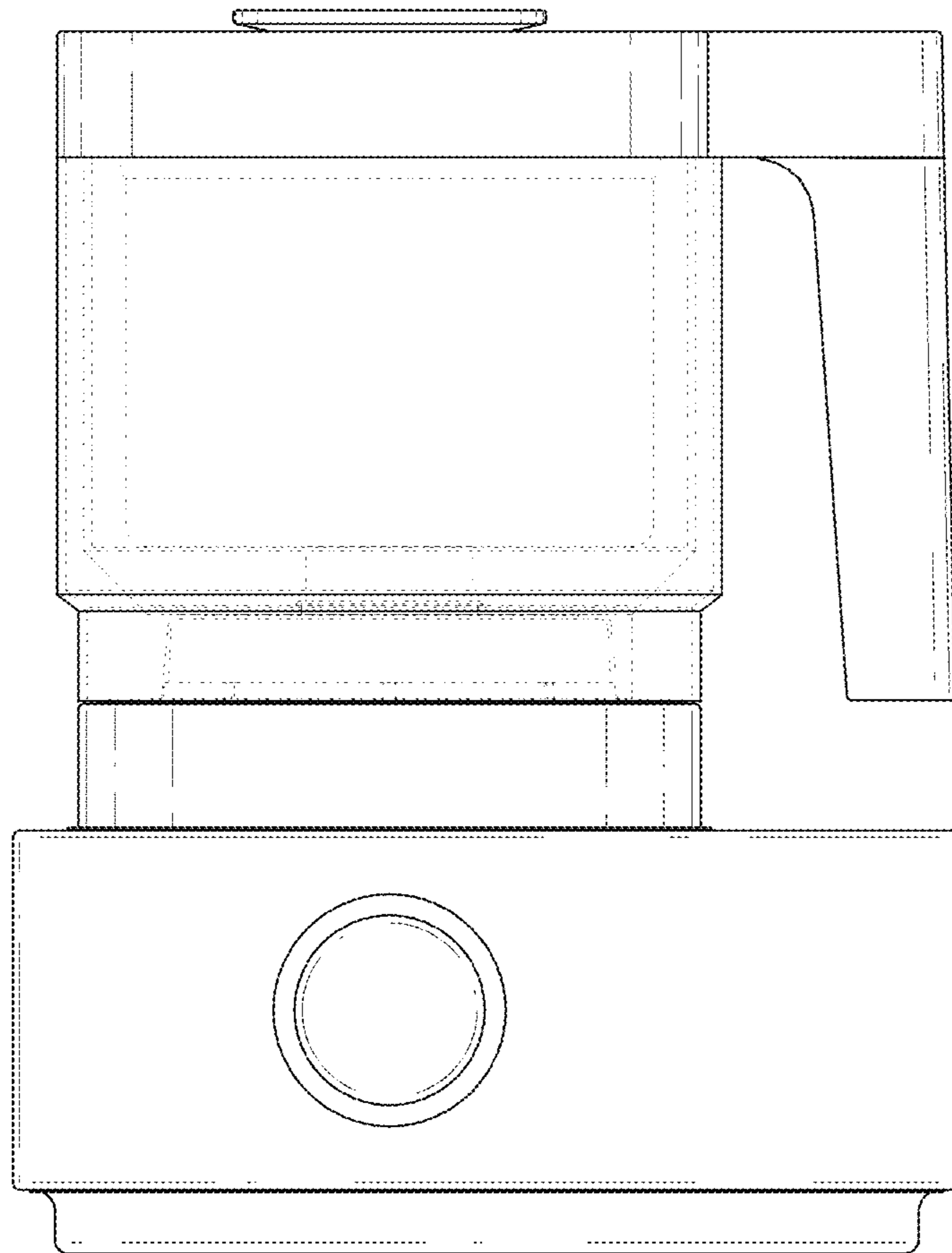


FIG. 3

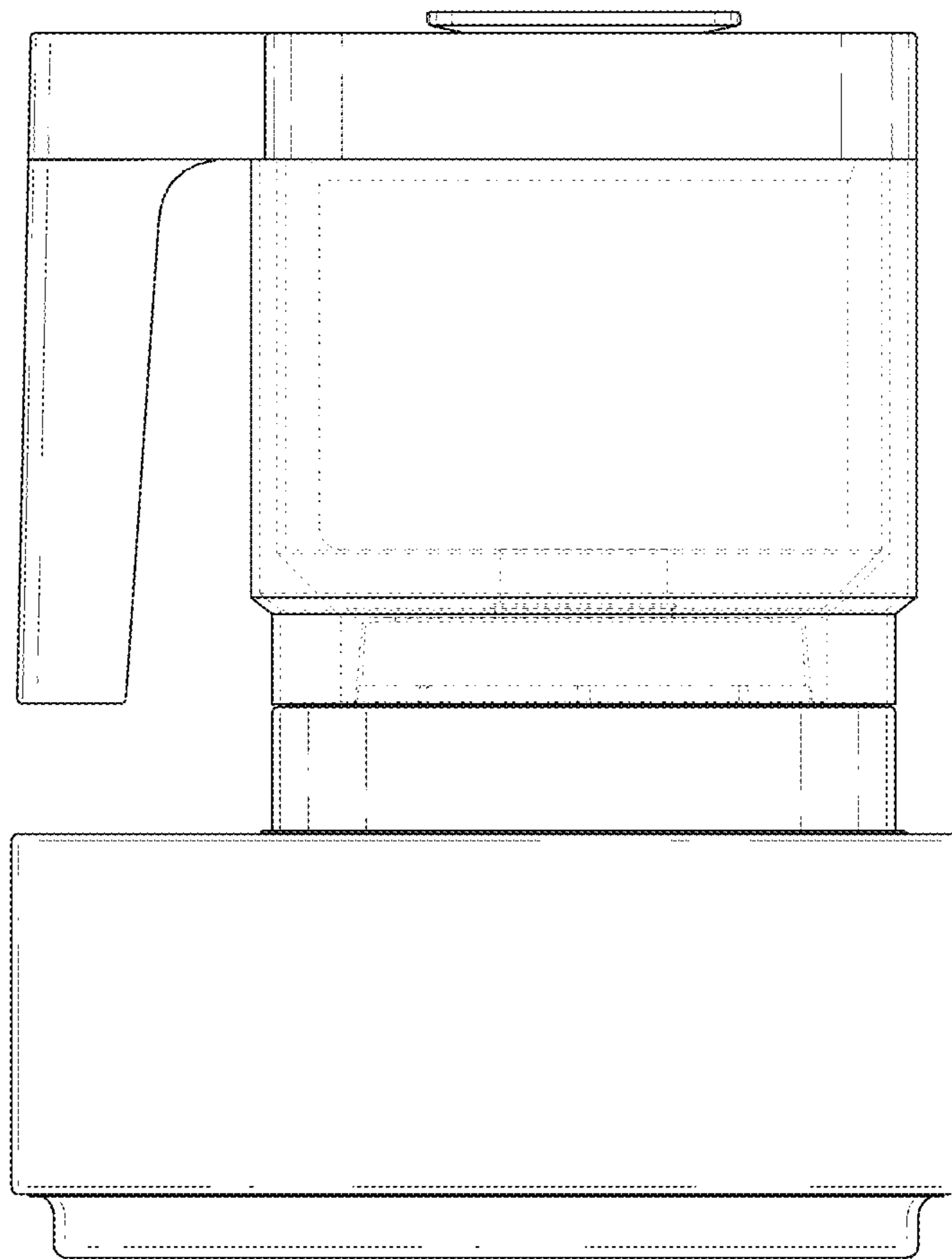


FIG. 4

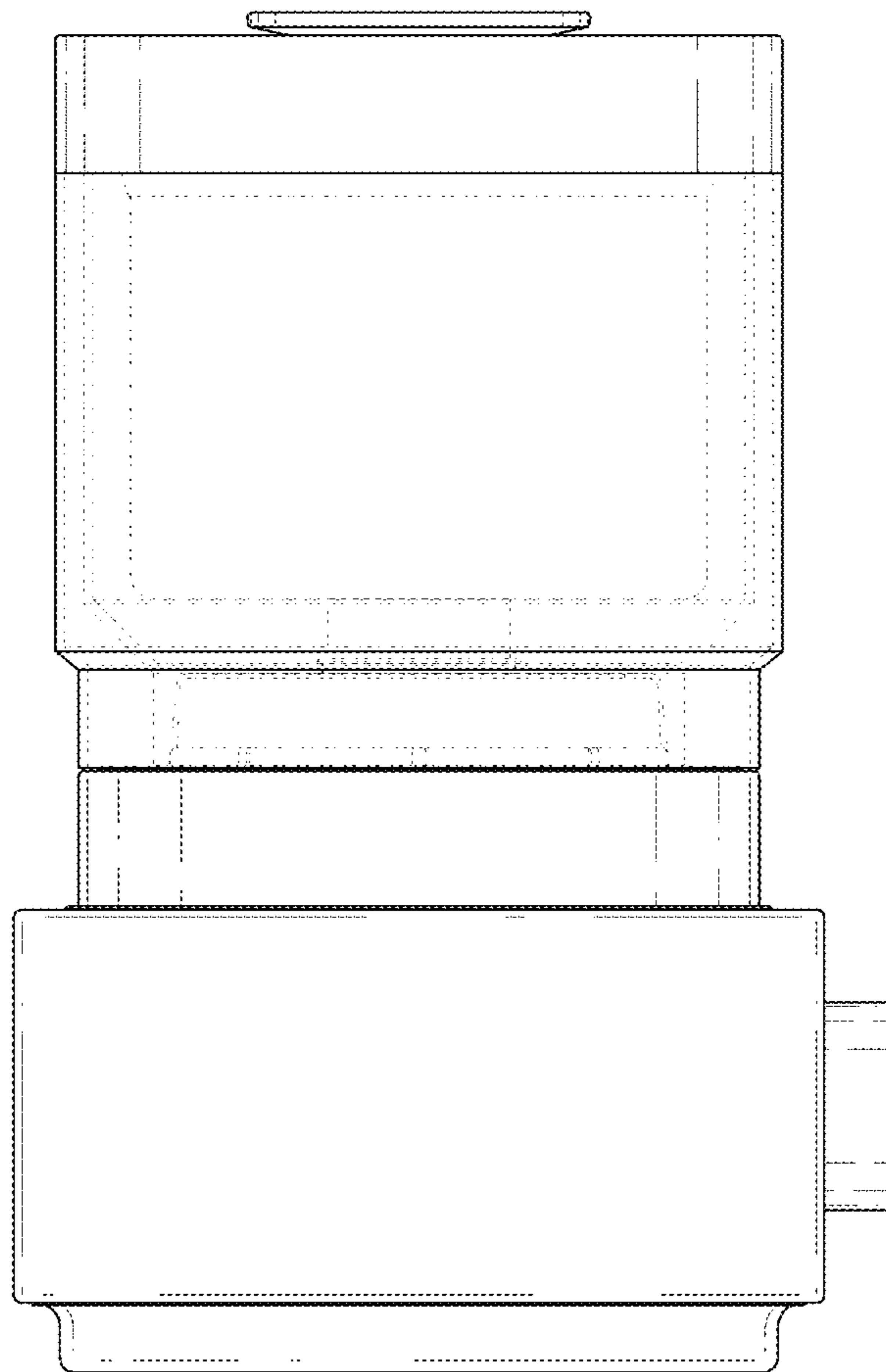


FIG. 5

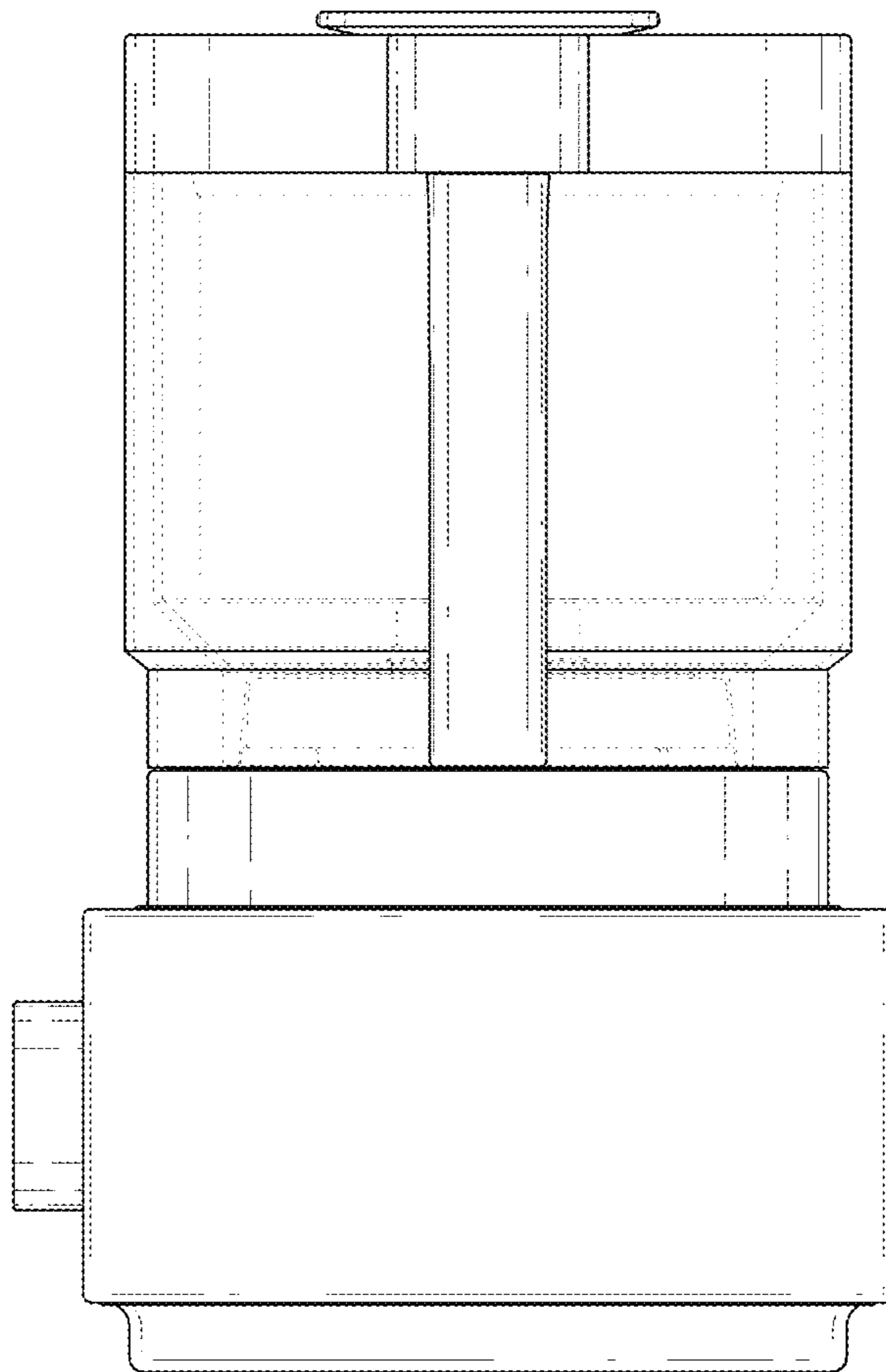


FIG. 6

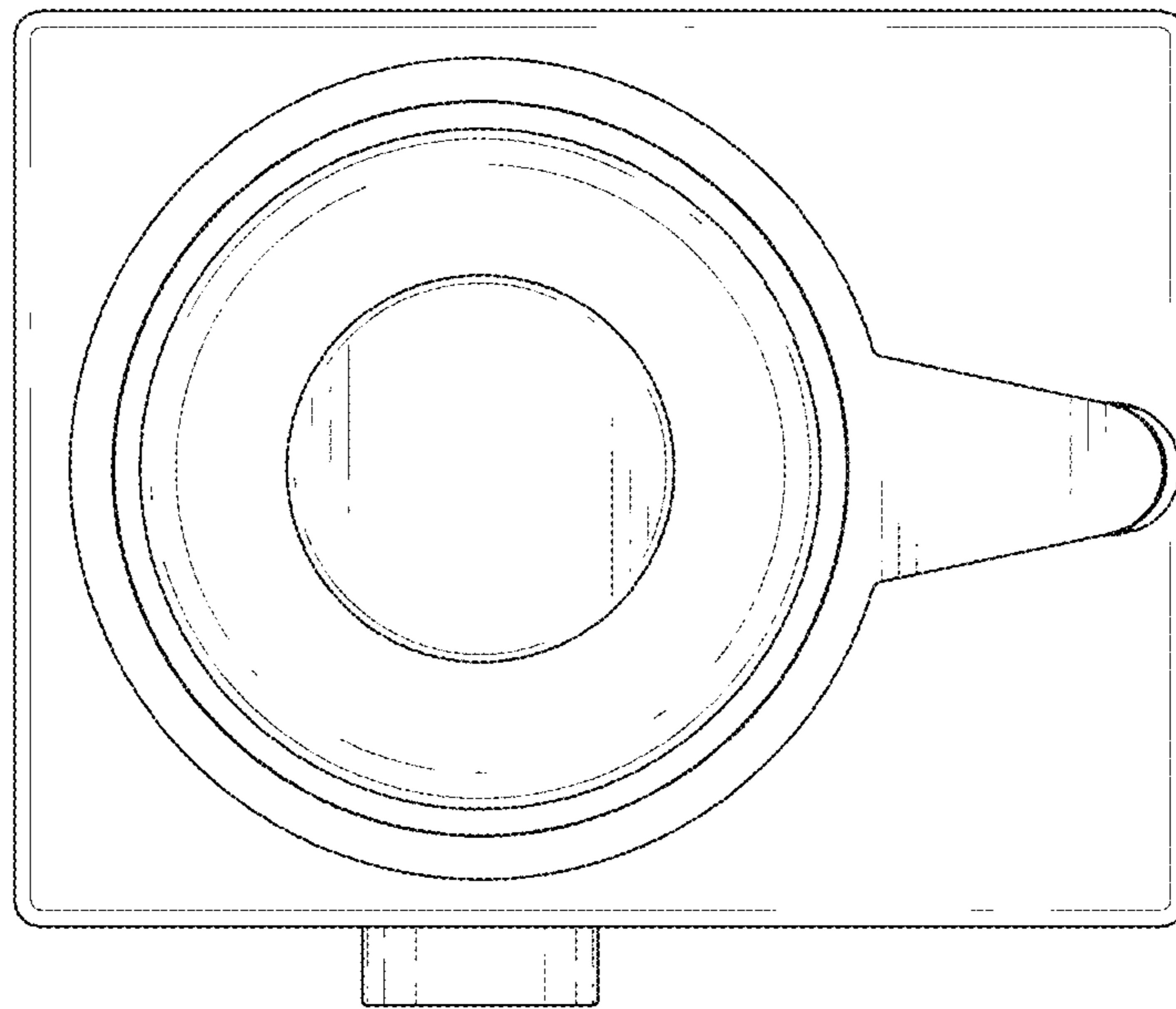


FIG. 7

