



US00D923389S

(12) **United States Design Patent**
Dorion et al.

(10) **Patent No.:** **US D923,389 S**
(45) **Date of Patent:** **** Jun. 29, 2021**

- (54) **GRILL PAN**
- (71) Applicants: **Chris Dorion**, South Pittsburg, TN (US); **Kelly Peterson**, South Pittsburg, TN (US)
- (72) Inventors: **Chris Dorion**, South Pittsburg, TN (US); **Kelly Peterson**, South Pittsburg, TN (US)
- (73) Assignee: **Lodge Manufacturing Company**, South Pittsburg, TN (US)

D197,663 S * 3/1964 O'Reilly D7/359
 6,298,775 B1 * 10/2001 Chen A47J 45/061
 16/111.1
 D470,711 S * 2/2003 Kloppsteck D7/359
 D672,604 S * 12/2012 Upston D7/354
 D756,699 S * 5/2016 Kim A47J 37/067
 D7/354
 D796,252 S * 9/2017 Gabbay D7/354
 D825,255 S * 8/2018 Mirchandani D7/361
 D828,714 S * 9/2018 Nagrani D7/361
 D869,236 S * 12/2019 Kellermann D7/409
 D876,877 S * 3/2020 Cheng D7/359

(Continued)

- (**) Term: **15 Years**
- (21) Appl. No.: **29/695,742**
- (22) Filed: **Jun. 21, 2019**
- (51) **LOC (13) Cl.** **07-02**
- (52) **U.S. Cl.**
USPC **D7/360**
- (58) **Field of Classification Search**
USPC D7/323, 352, 354, 355, 356, 357, 358,
D7/359, 360, 361, 362, 363, 364, 365,
D7/366, 396.1, 402, 409, 410
CPC .. A47J 27/00; A47J 37/00; A47J 37/01; A47J
37/04; A47J 37/06; A47J 37/10; A47J
37/0611; A47J 37/08; A47J 37/0807;
A47J 37/0814; A47J 37/0835; A47J
37/0842; A47J 37/085; A47J 37/0864;
A47J 37/0878; A47J 37/0885; A47J
37/0892; A47J 36/00; A47J 36/02; A47J
36/06; A47J 36/16; A47J 36/24; A47J
36/022; A47J 36/027
See application file for complete search history.

- (56) **References Cited**
U.S. PATENT DOCUMENTS
1,591,291 A * 7/1926 Detwiler A47J 37/0676
99/446
D166,780 S * 5/1952 Watkins D7/359

OTHER PUBLICATIONS

Blacklock *65* 12 Inch Triple Seasoned Cast Iron Grill Pan, no announcement date [online], retrieved May 22, 2020, retrieved from internet, https://www.lodgemfg.com/product/blacklock-grill-pan.*

(Continued)

Primary Examiner — Dana K Weiland
Assistant Examiner — Messina L Smith
 (74) *Attorney, Agent, or Firm* — Miller & Martín PLLC;
 Stephen J. Stark

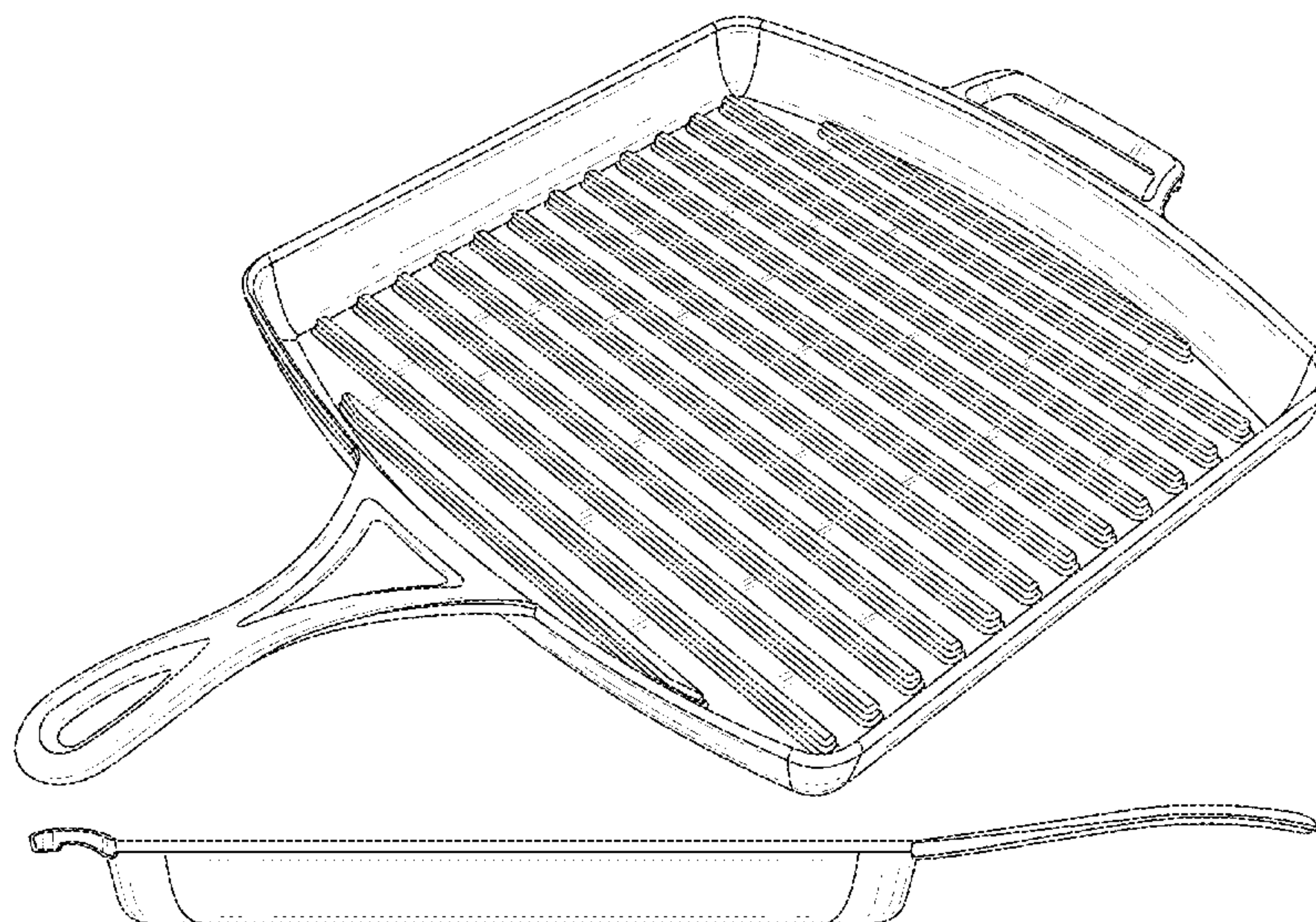
(57) **CLAIM**

The ornamental design for a grill pan, as is shown and described.

DESCRIPTION

FIG. 1 is a perspective view thereof of a grill pan, showing the new design;
 FIG. 2 is a top elevational view thereof;
 FIG. 3 is a right side elevational view thereof;
 FIG. 4 is a left side elevational view thereof;
 FIG. 5 is a rear elevational view thereof;
 FIG. 6 is a front elevational view thereof; and,
 FIG. 7 is a bottom elevational view thereof.
 The broken line shown in the drawings depict portions of the grill pan that form no part of the claimed design.

1 Claim, 7 Drawing Sheets



(56)

References Cited

U.S. PATENT DOCUMENTS

2005/0204931 A1* 9/2005 Cheng A47J 37/067
99/422
2005/0211106 A1* 9/2005 Dierkes A47J 37/10
99/422
2020/0008622 A1* 1/2020 Skeggs A47J 37/10

OTHER PUBLICATIONS

Say Hello to the New Blacklock Cast Iron by Lodge, announced Aug. 18, 2019 [online], retrieved May 22, 2020, retrieved from internet, <https://thervatlas.com/podcast/blacklock-cast-iron-by-lodge/>.*

* cited by examiner

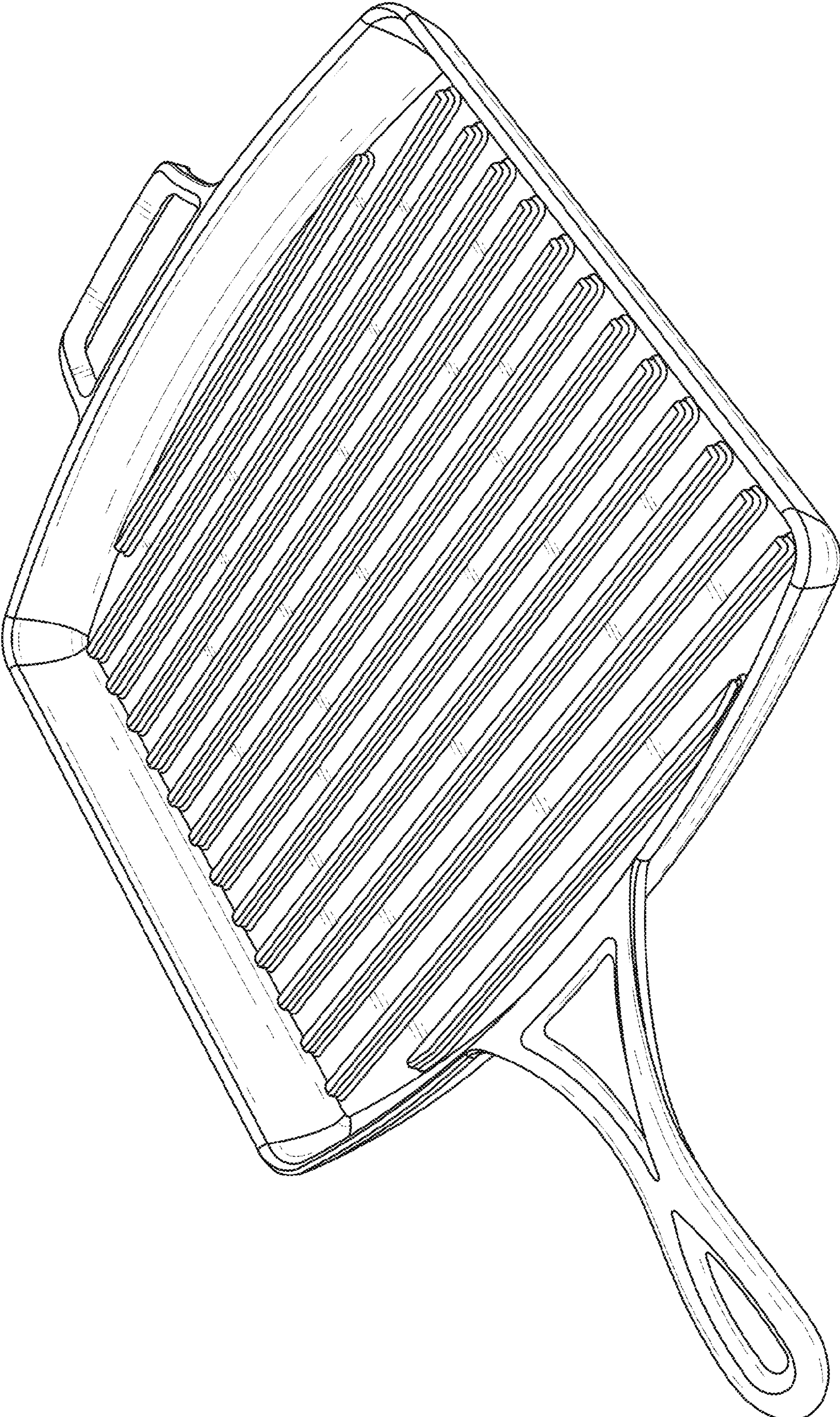


FIG. 1

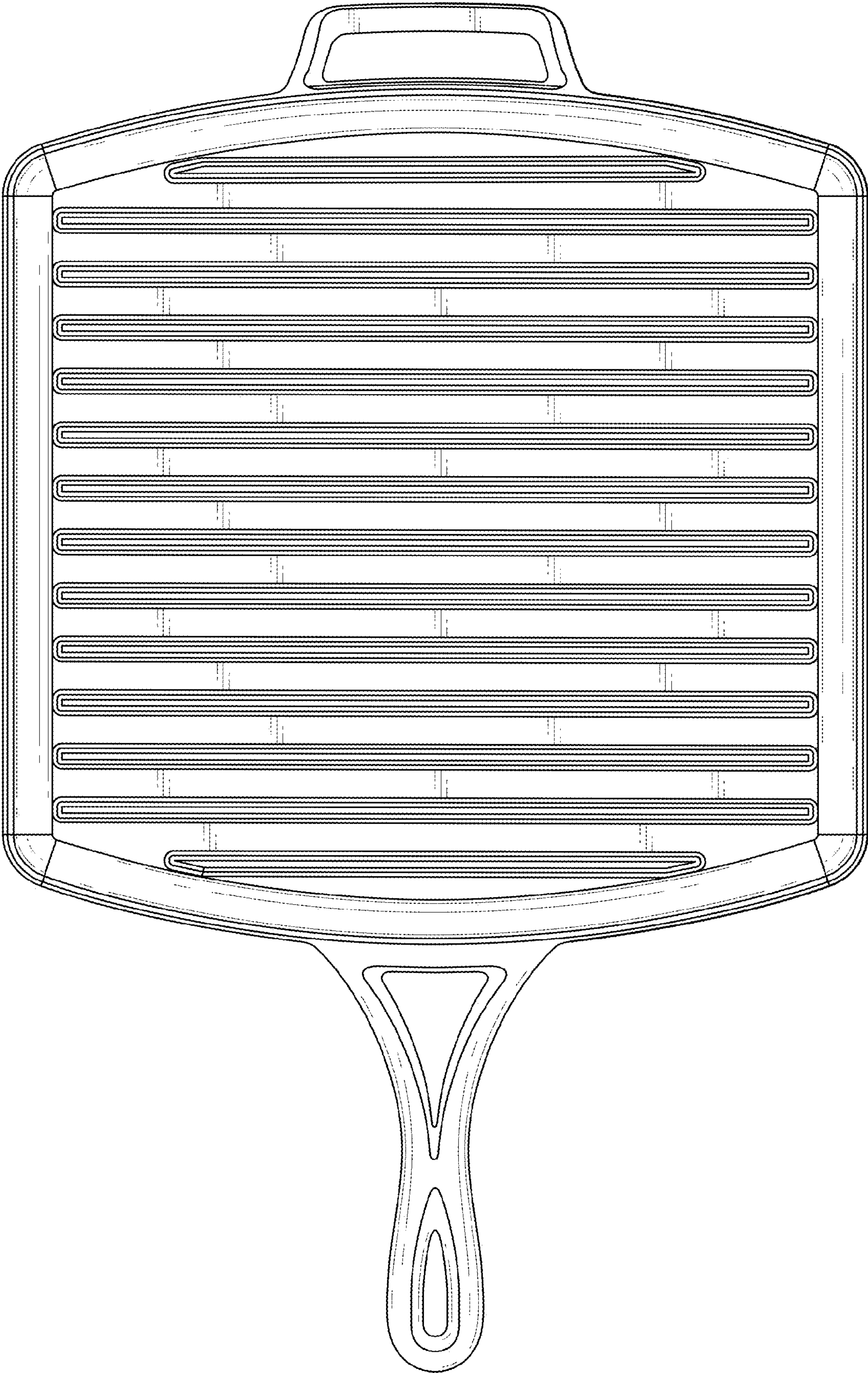


FIG. 2

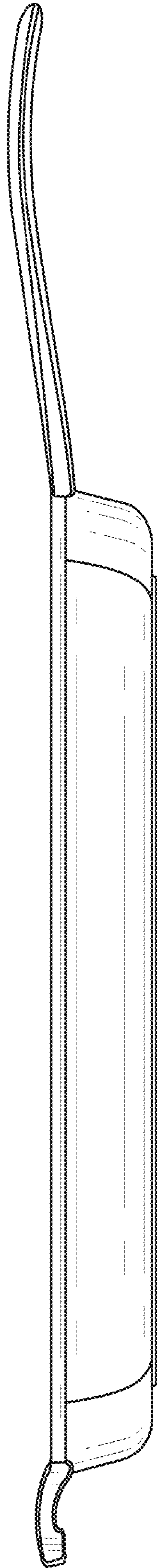


FIG. 3

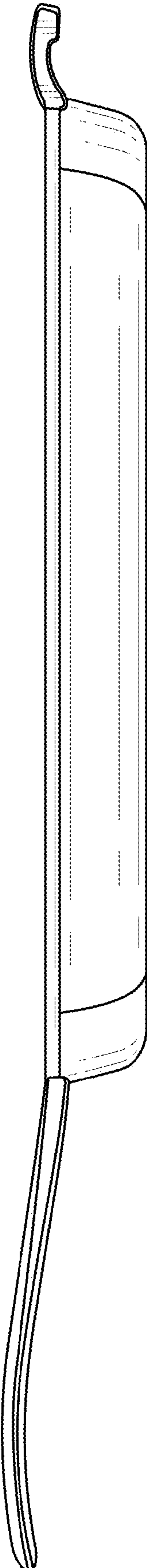


FIG. 4

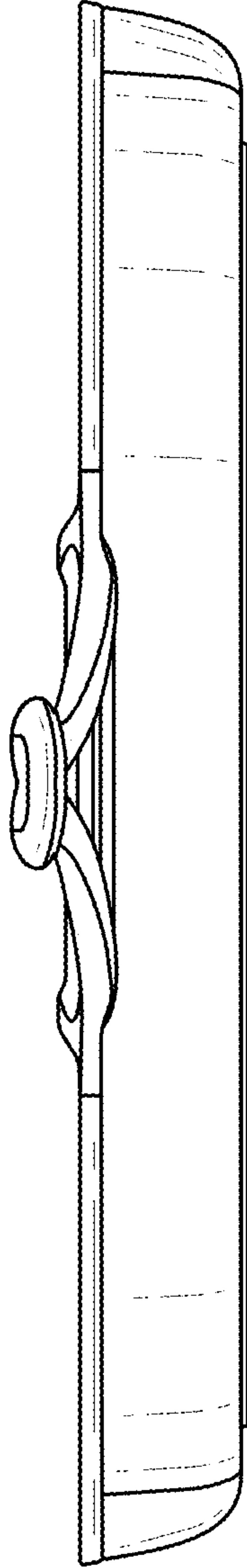


FIG. 5

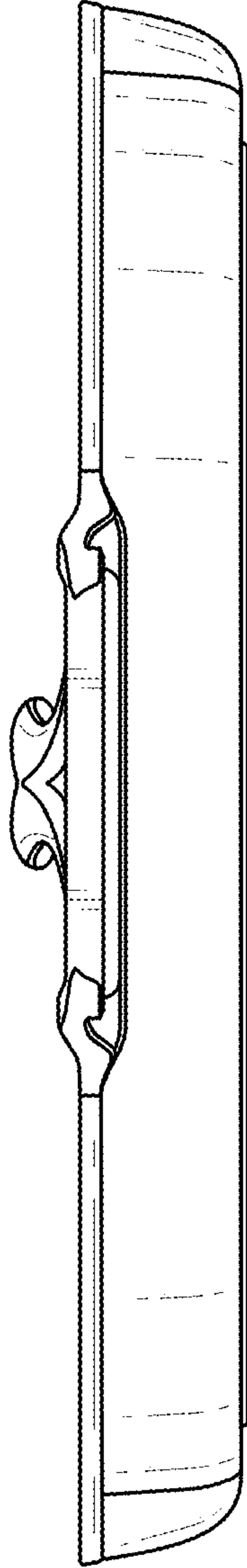


FIG. 6

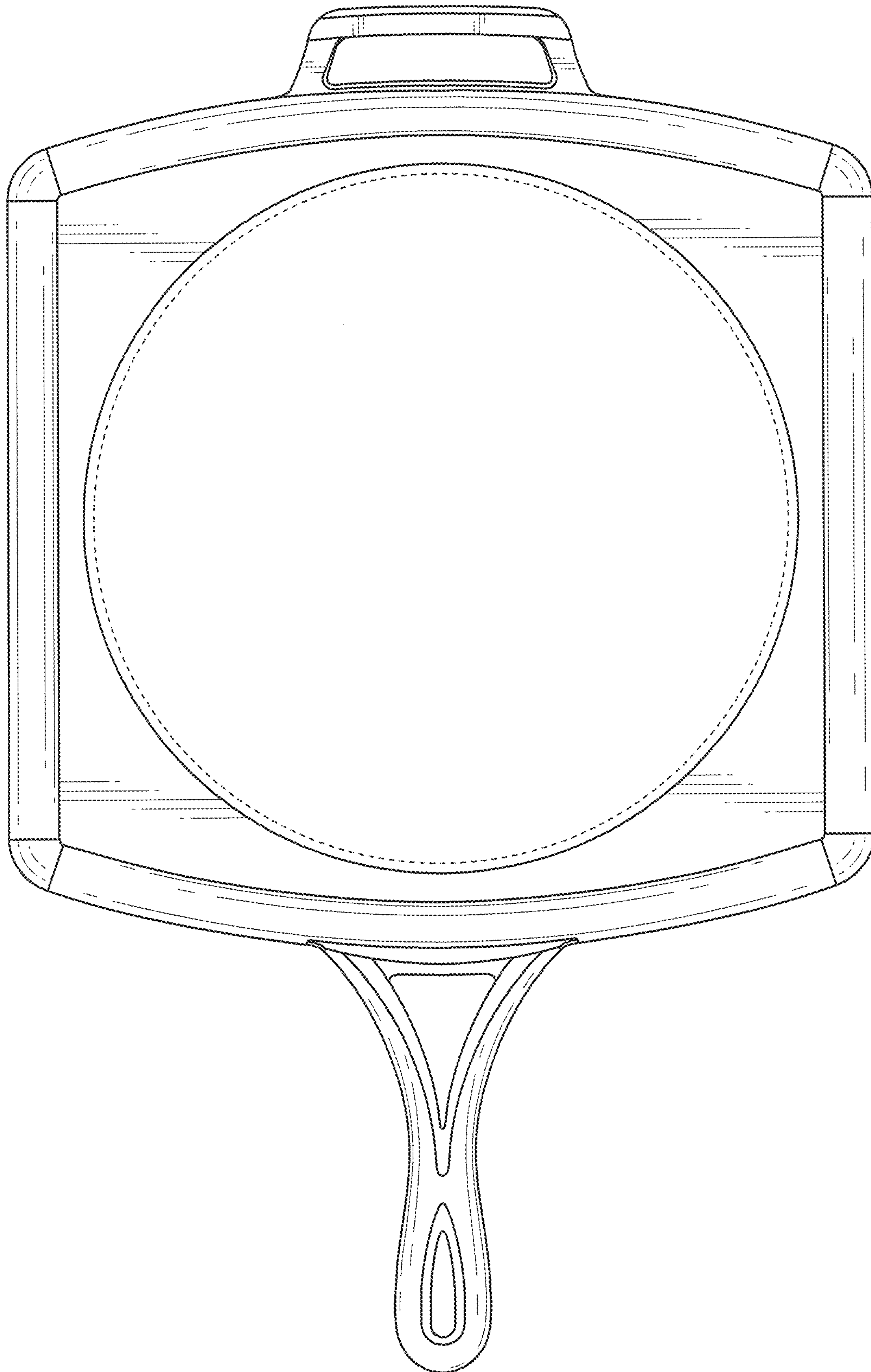


FIG. 7