



US00D923388S

(12) **United States Design Patent** (10) **Patent No.:** **US D923,388 S**  
**Dorion et al.** (45) **Date of Patent:** **\*\* Jun. 29, 2021**

(54) **SKILLET**  
(71) Applicants: **Chris Dorion**, South Pittsburg, TN (US); **Kelly Peterson**, South Pittsburg, TN (US)  
(72) Inventors: **Chris Dorion**, South Pittsburg, TN (US); **Kelly Peterson**, South Pittsburg, TN (US)  
(73) Assignee: **Lodge Manufacturing Company**, South Pittsburg, TN (US)

D618,494 S \* 6/2010 Welk ..... D7/354  
D628,851 S \* 12/2010 Bergne ..... D7/354  
D682,013 S \* 5/2013 Huang ..... D7/354  
D696,060 S \* 12/2013 Schleizer ..... D7/354  
D712,194 S \* 9/2014 Thonis ..... D7/354  
D756,163 S \* 5/2016 Gabbay ..... D7/354  
D779,871 S \* 2/2017 Zemel ..... D7/354  
D794,379 S \* 8/2017 Mejia ..... D7/354  
D879,545 S \* 3/2020 Hollinger ..... D7/360  
D880,222 S \* 4/2020 Hollinger ..... D7/361  
2004/0060936 A1 \* 4/2004 Logiudice ..... A47J 45/062  
220/254.1  
2014/0061205 A1 \* 3/2014 Chiu ..... A47J 36/025  
220/573.2

(\*\*) Term: **15 Years**

(Continued)

(21) Appl. No.: **29/695,567**  
(22) Filed: **Jun. 20, 2019**  
(51) **LOC (13) Cl.** ..... **07-02**  
(52) **U.S. Cl.**  
USPC ..... **D7/360**  
(58) **Field of Classification Search**  
USPC ..... D7/323, 352, 354, 355, 356, 357, 358,  
D7/359, 360, 361, 362, 363, 364, 365,  
D7/366, 396.1, 402, 409, 410  
CPC .. A47J 27/00; A47J 37/00; A47J 37/01; A47J  
37/04; A47J 37/06; A47J 37/10; A47J  
37/0611; A47J 37/08; A47J 37/0807;  
A47J 37/0814; A47J 37/0835; A47J  
37/0842; A47J 37/085; A47J 37/0864;  
A47J 37/0878; A47J 37/0885; A47J  
37/0892; A47J 36/00; A47J 36/02; A47J  
36/06; A47J 36/16; A47J 36/24; A47J  
36/022; A47J 36/027  
See application file for complete search history.

OTHER PUBLICATIONS

Blacklock \*49\* 4 Quart Deep Skillet With Lid, no announcement date [online], retrieved May 22, 2020, retrieved from internet, [https://www.lodgemfg.com/product/blacklock-deep-skillet-with-lid.\\*](https://www.lodgemfg.com/product/blacklock-deep-skillet-with-lid.*)

*Primary Examiner* — Dana K Weiland  
*Assistant Examiner* — Messina L Smith  
(74) *Attorney, Agent, or Firm* — Miller & Martin PLLC; Stephen J. Stark

(56) **References Cited**

U.S. PATENT DOCUMENTS

2,788,561 A \* 4/1957 Mueller ..... F27D 5/00  
D7/361  
D482,233 S \* 11/2003 Rae ..... D7/393  
D581,721 S \* 12/2008 Rae ..... D7/360

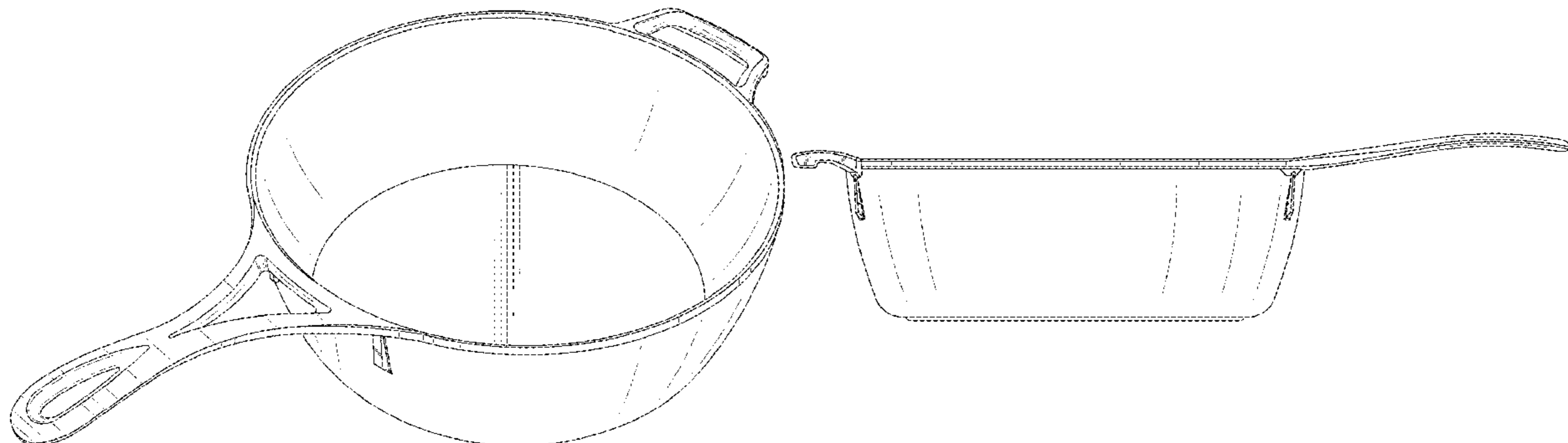
(57) **CLAIM**

The ornamental design for a skillet, as shown and described.

**DESCRIPTION**

FIG. 1 is a perspective view of a skillet, showing the new design;  
FIG. 2 is a top elevational view thereof;  
FIG. 3 is a right side elevational view thereof;  
FIG. 4 is a left side elevational view thereof;  
FIG. 5 is a rear elevational view thereof;  
FIG. 6 is a front elevational view thereof; and,  
FIG. 7 is a bottom elevational view thereof.  
The broken lines in the drawings depict portions of the skillet that form no part of the claimed design.

**1 Claim, 7 Drawing Sheets**



(56)

**References Cited**

U.S. PATENT DOCUMENTS

2018/0103800 A1\* 4/2018 Bischoff ..... A47J 37/10

\* cited by examiner

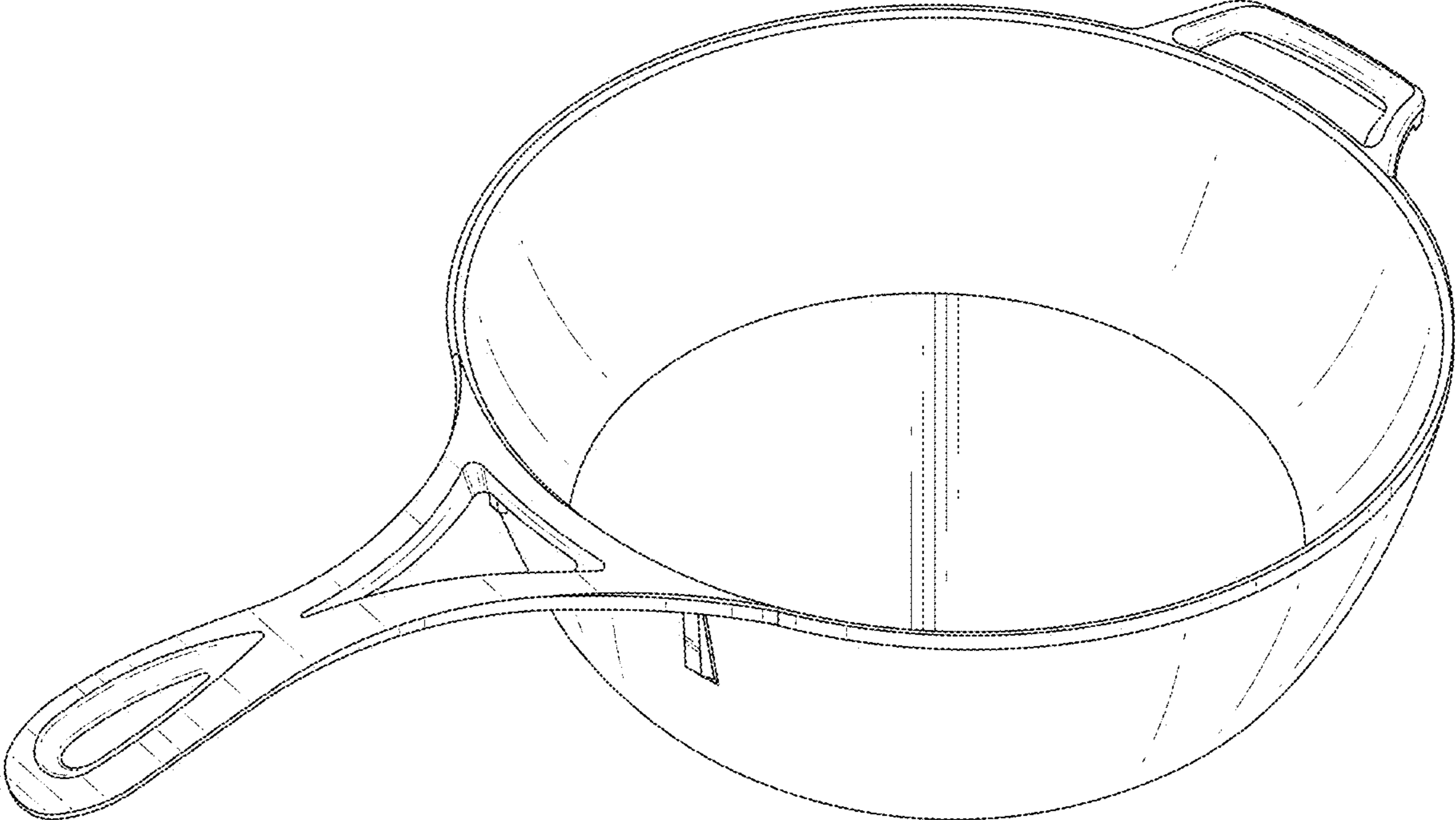


FIG. 1

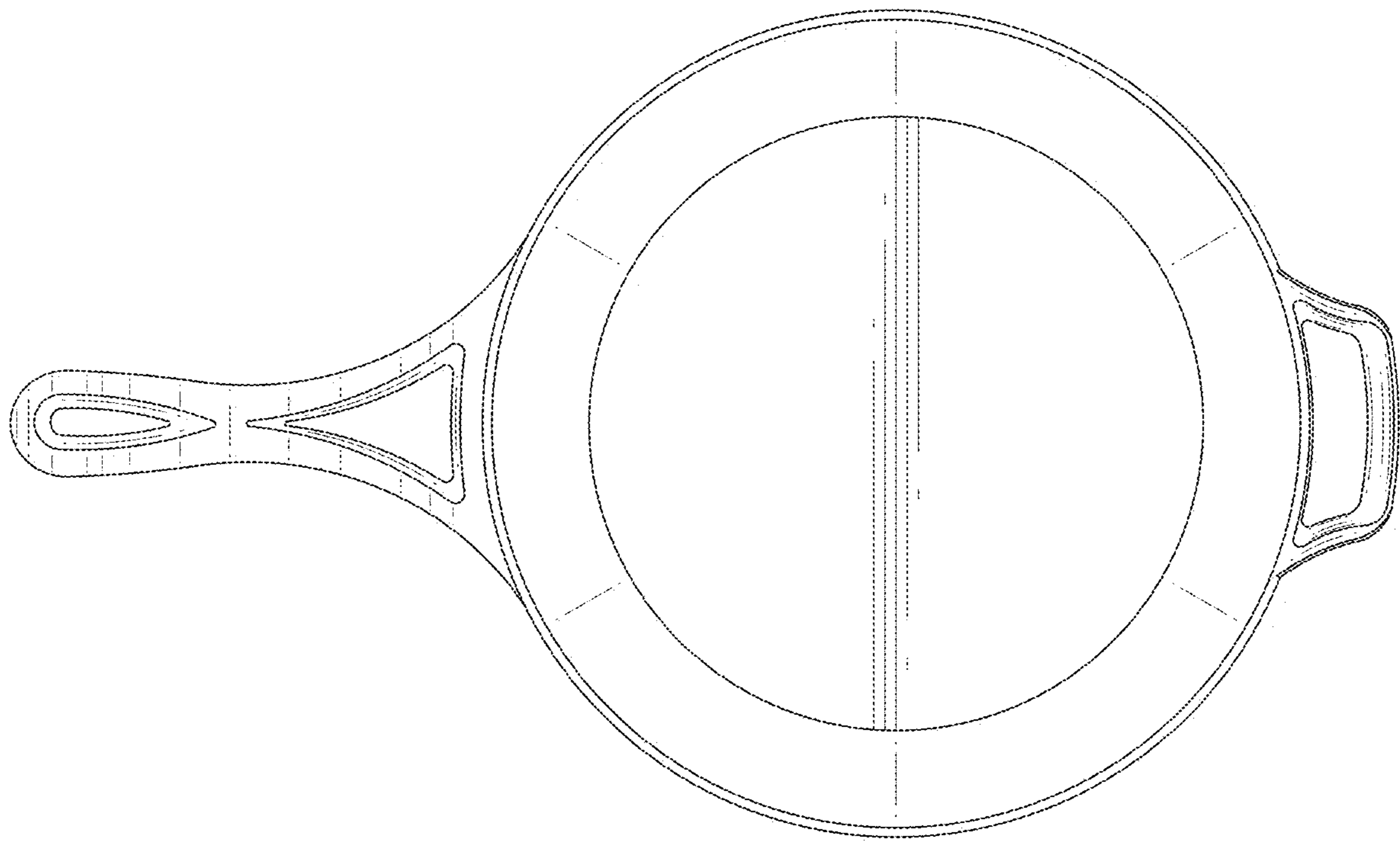


FIG. 2

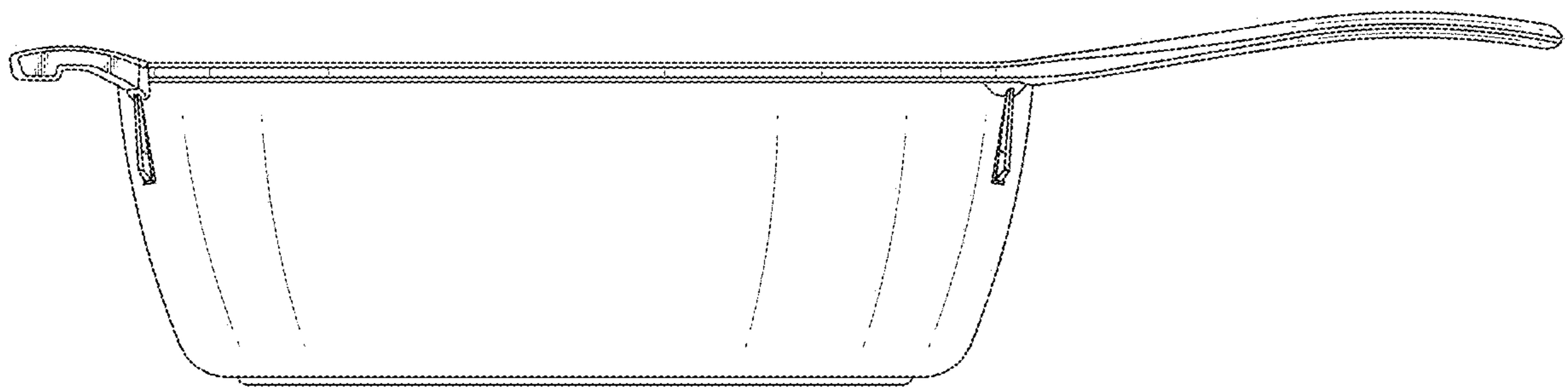


FIG. 3

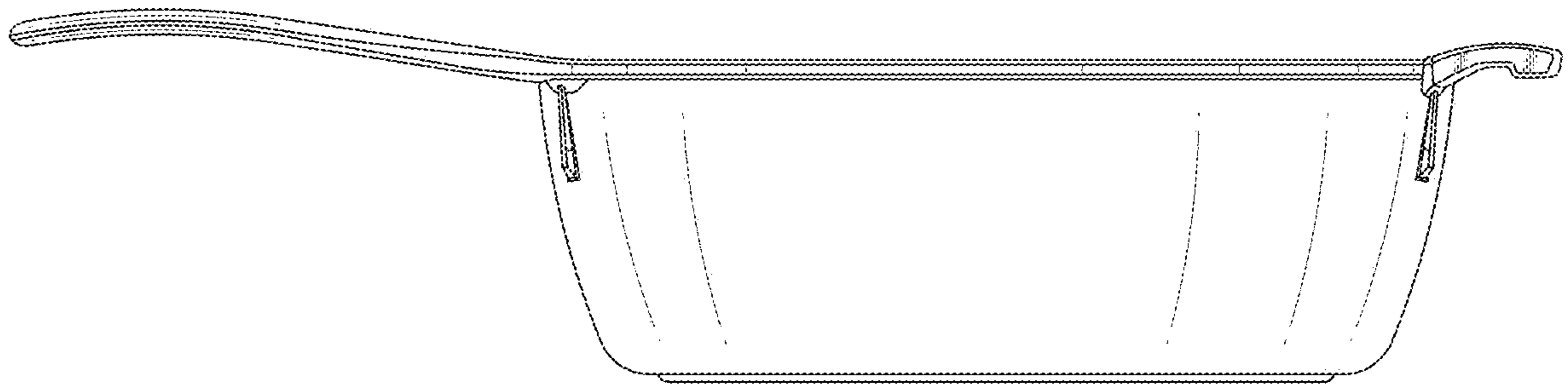


FIG. 4

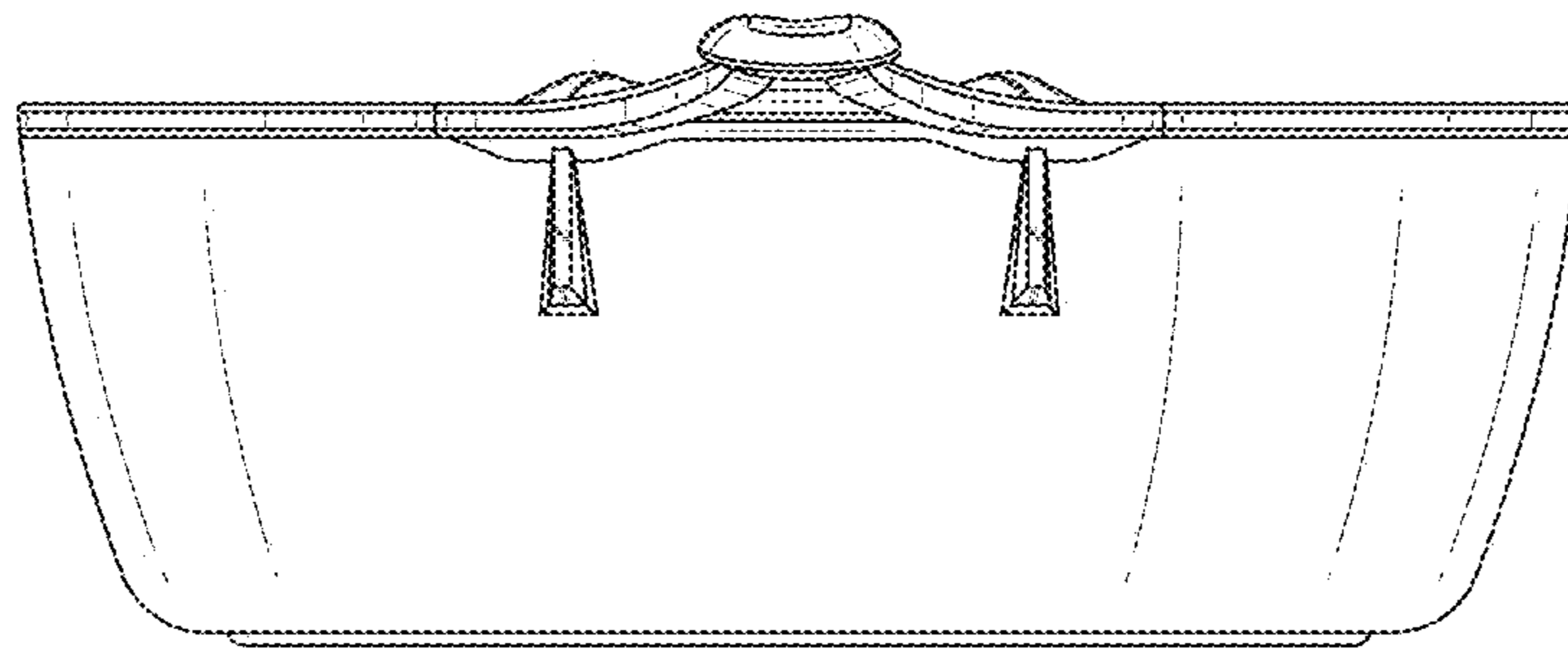


FIG. 5

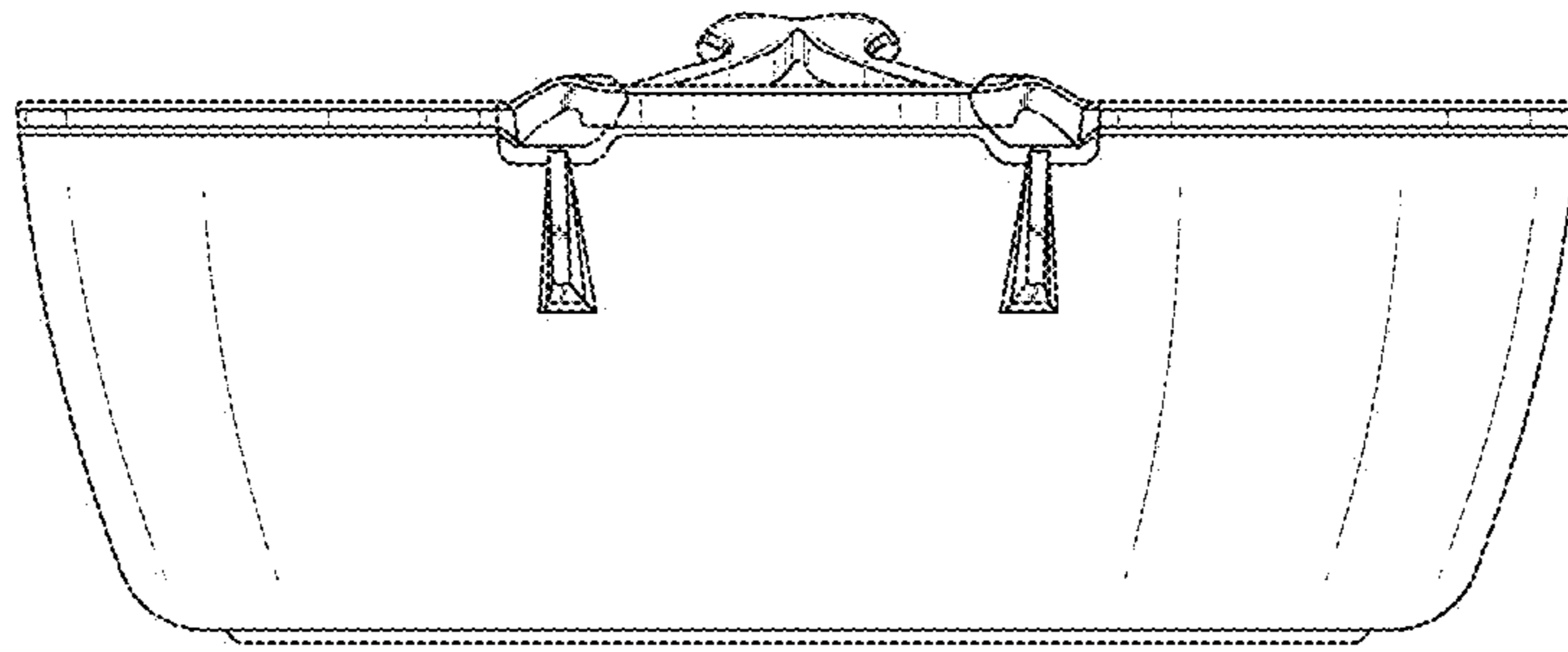


FIG. 6



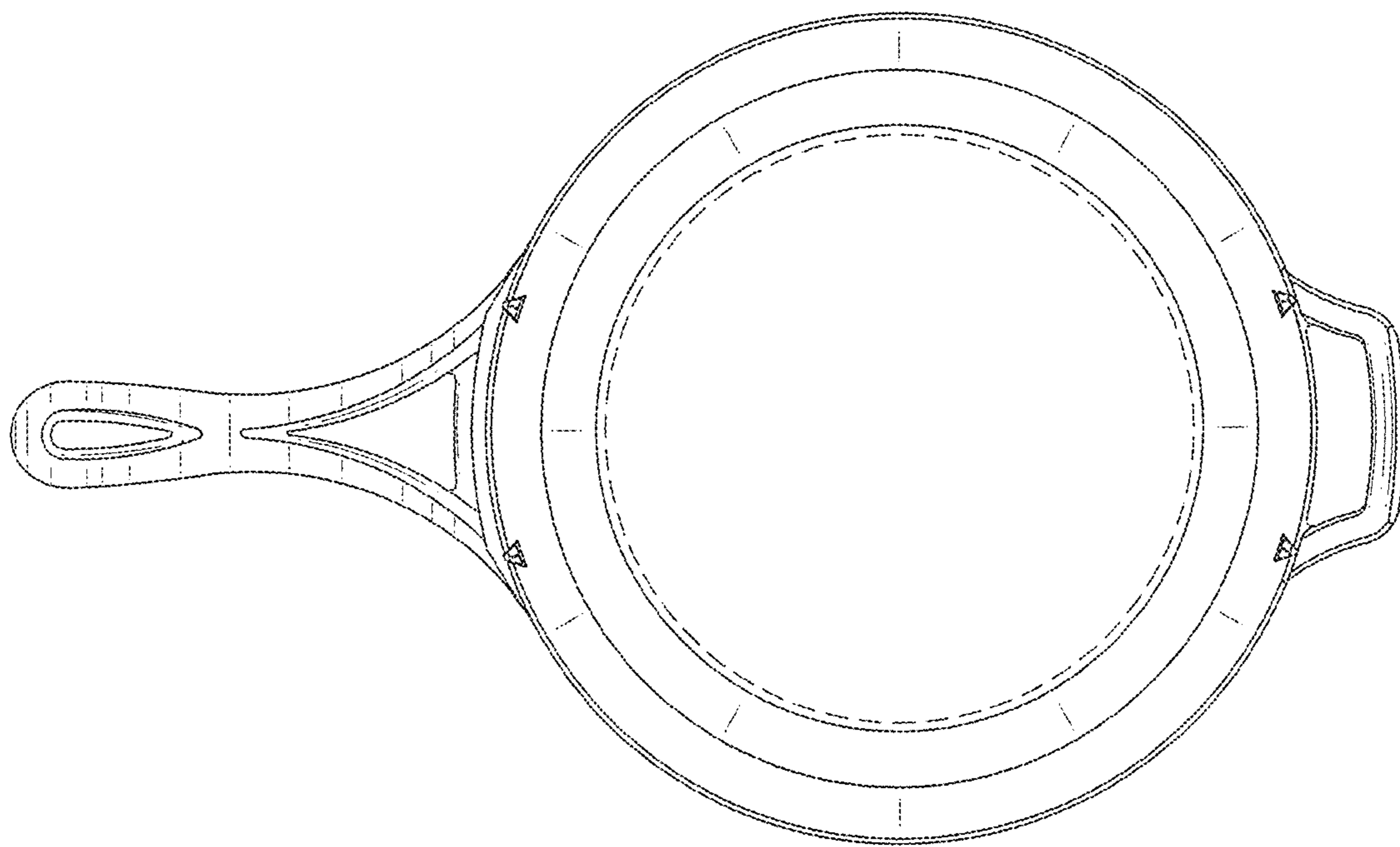


FIG. 7