



US00D923387S

(12) **United States Design Patent** (10) **Patent No.:** **US D923,387 S**  
**Dorion et al.** (45) **Date of Patent:** **\*\* Jun. 29, 2021**

(54) **DUTCH OVEN**  
(71) Applicants: **Chris Dorion**, South Pittsburg, TN  
(US); **Kelly Peterson**, South Pittsburg,  
TN (US)  
(72) Inventors: **Chris Dorion**, South Pittsburg, TN  
(US); **Kelly Peterson**, South Pittsburg,  
TN (US)

(73) Assignee: **Lodge Manufacturing Company**,  
South Pittsburg, TN (US)

(\*\*) Term: **15 Years**

(21) Appl. No.: **29/695,408**

(22) Filed: **Jun. 19, 2019**

(51) **LOC (13) Cl.** ..... **07-02**

(52) **U.S. Cl.**  
USPC ..... **D7/360**

(58) **Field of Classification Search**  
USPC ..... D7/323, 352, 354, 355, 356, 357, 358,  
D7/359, 360, 361, 362, 363, 364, 365,  
D7/366, 396.1, 402, 409, 410  
CPC .. A47J 27/00; A47J 37/00; A47J 37/01; A47J  
37/04; A47J 37/06; A47J 37/10; A47J  
37/0611; A47J 37/08; A47J 37/0807;  
A47J 37/0814; A47J 37/0835; A47J  
37/0842; A47J 37/085; A47J 37/0864;  
A47J 37/0878; A47J 37/0885; A47J  
37/0892; A47J 36/00; A47J 36/02; A47J  
36/06; A47J 36/16; A47J 36/24; A47J  
36/022; A47J 36/027

See application file for complete search history.

(56) **References Cited**

**U.S. PATENT DOCUMENTS**

D325,684 S \* 4/1992 Deare ..... D30/129  
6,457,601 B1 \* 10/2002 Chappell ..... A47J 36/022  
220/495.03  
D484,745 S \* 1/2004 Watson ..... D7/545  
D506,350 S \* 6/2005 Cheng ..... D7/360

D507,148 S \* 7/2005 Spagnolo ..... D7/360  
D549,041 S \* 8/2007 Kellermann ..... D7/354  
D594,704 S \* 6/2009 Loaiza ..... D7/538  
D618,491 S \* 6/2010 Welk ..... D7/354  
D639,602 S \* 6/2011 Bodum ..... D7/354  
D702,990 S \* 4/2014 Roussard ..... D7/354  
D717,100 S \* 11/2014 Moser ..... D7/354  
D731,232 S \* 6/2015 Verkaik ..... D7/354  
D751,860 S \* 3/2016 McConnell ..... D7/394

(Continued)

**FOREIGN PATENT DOCUMENTS**

JP 2011161034 A \* 8/2011

**OTHER PUBLICATIONS**

Blacklock \*02\* 5.5 Quart Triple Seasoned Cast Iron Dutch Oven,  
no announcement date [online], retrieved May 21, 2020, retrieved  
from internet, <https://www.lodgemfg.com/product/blacklock-dutch-oven>.\*

*Primary Examiner* — Dana K Weiland

*Assistant Examiner* — Messina L Smith

(74) *Attorney, Agent, or Firm* — Miller & Martin PLLC;  
Stephen J. Stark

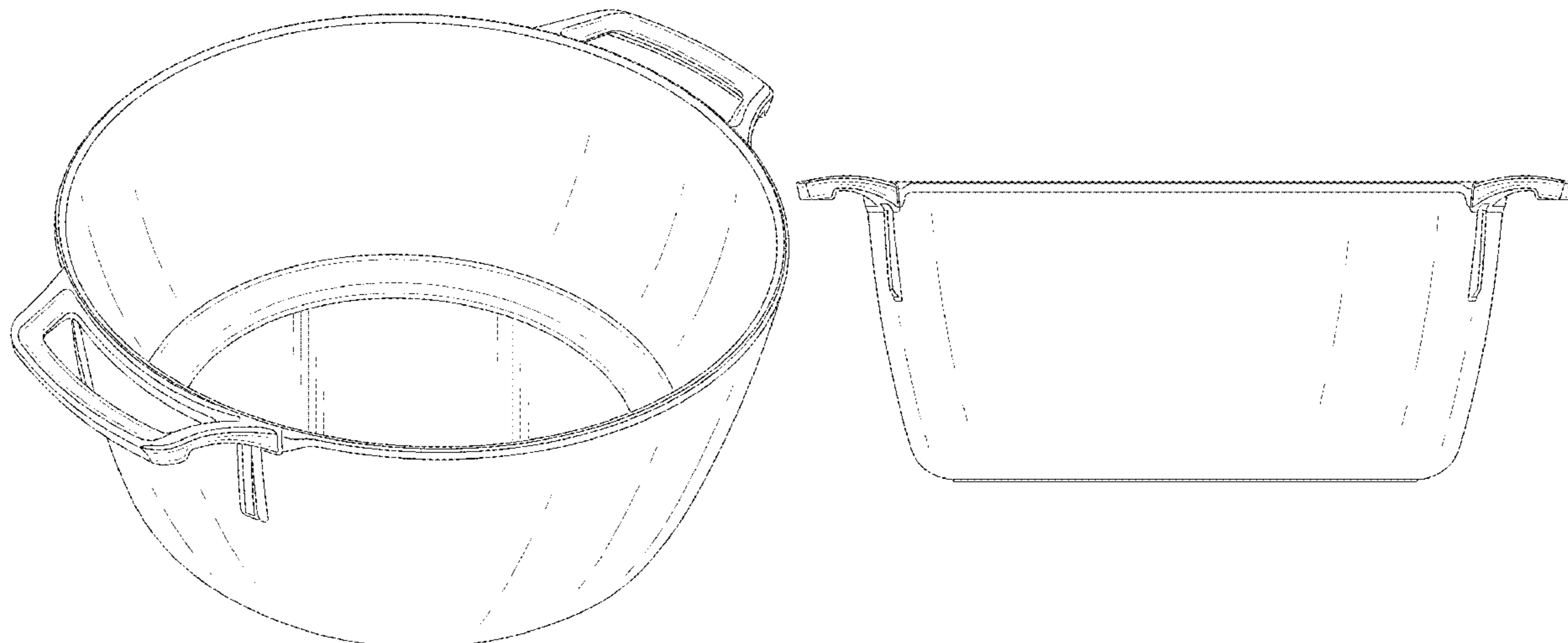
(57) **CLAIM**

The ornamental design for a dutch oven, as shown and  
described.

**DESCRIPTION**

FIG. 1 is a perspective view of a dutch oven, showing the  
new design;  
FIG. 2 is a top elevational view thereof;  
FIG. 3 is a left side elevational view thereof;  
FIG. 4 is a right side elevational view thereof;  
FIG. 5 is a front elevational view thereof;  
FIG. 6 is a rear elevational view thereof; and,  
FIG. 7 is a bottom elevational view thereof.  
The broken lines shown in the drawings depict portions of  
the dutch oven that form no part of the claimed design.

**1 Claim, 7 Drawing Sheets**



(56)

**References Cited**

U.S. PATENT DOCUMENTS

D804,891 S \* 12/2017 Mirchandani ..... D7/360  
D811,800 S \* 3/2018 Workman ..... D7/360  
D880,221 S \* 4/2020 Hollinger ..... D7/360  
2011/0252977 A1\* 10/2011 Sacherman ..... A47J 37/06  
99/401  
2012/0175374 A1\* 7/2012 Cheng ..... A47J 45/068  
220/573.1  
2013/0161334 A1\* 6/2013 Liu ..... A47J 36/02  
220/573.1  
2013/0206777 A1\* 8/2013 Hoekstra ..... A47J 27/002  
220/573.1  
2017/0172345 A1\* 6/2017 Bennett ..... A47J 36/06

\* cited by examiner

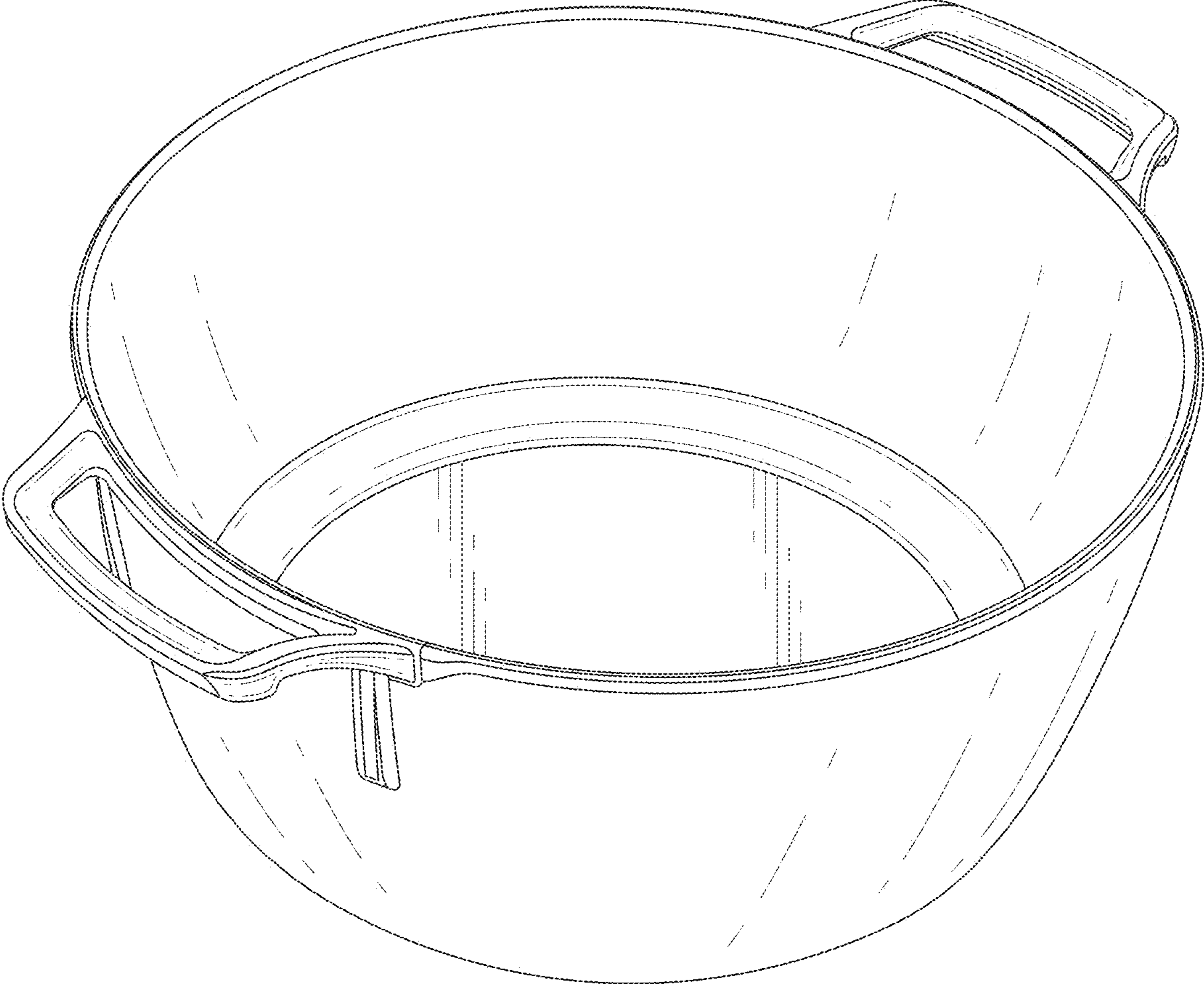


FIG. 1

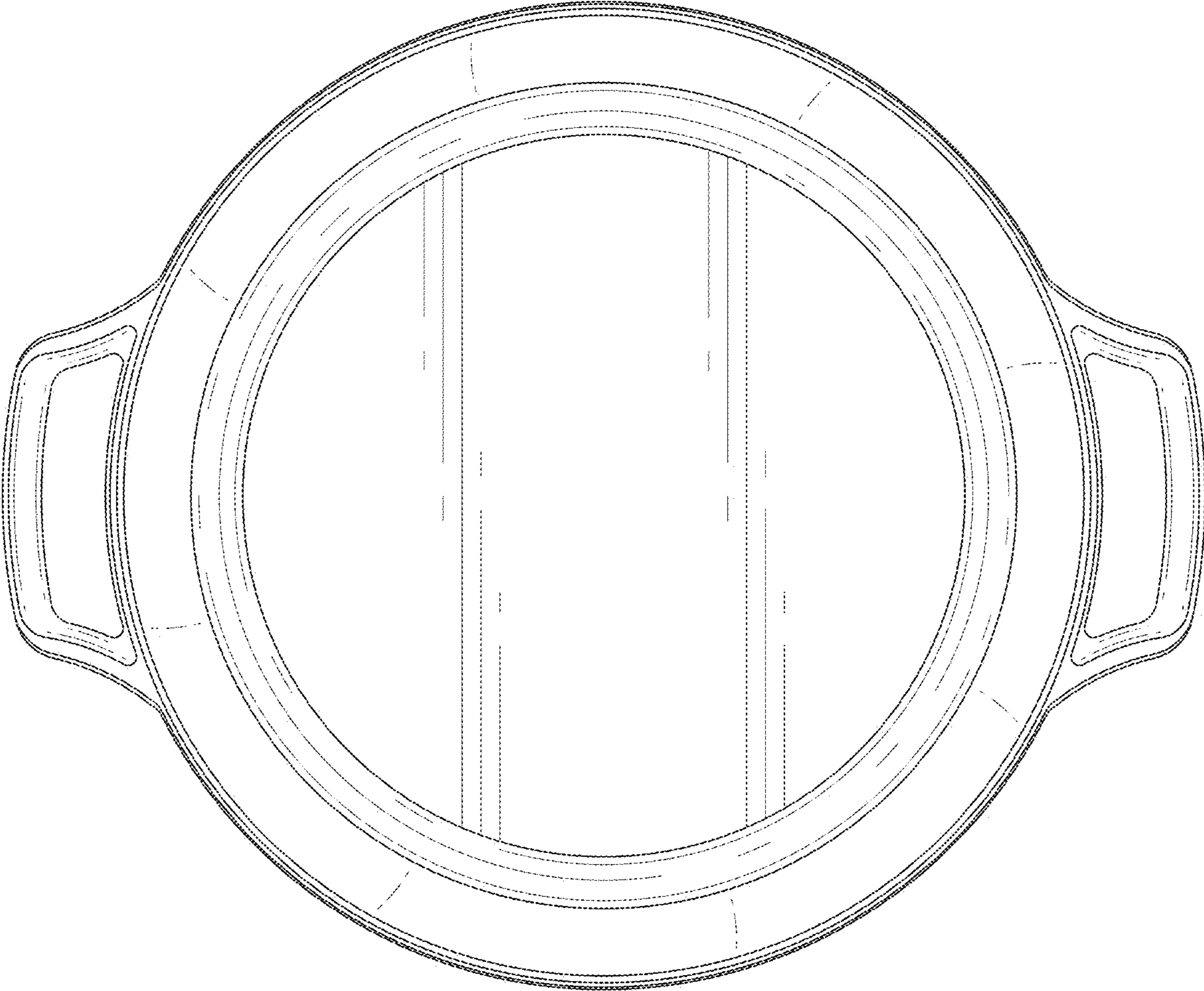


FIG. 2



FIG. 3



FIG. 4

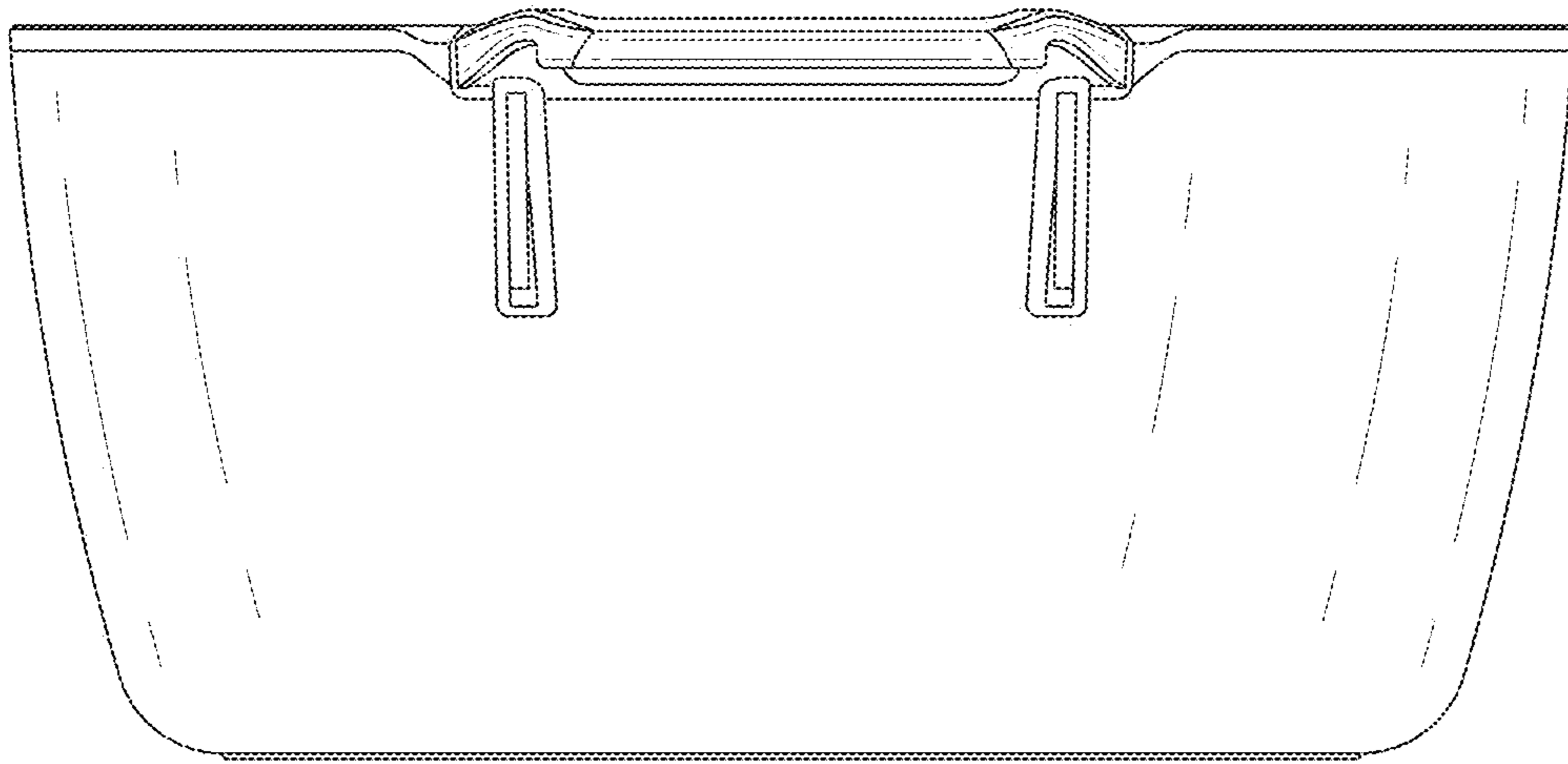


FIG. 5

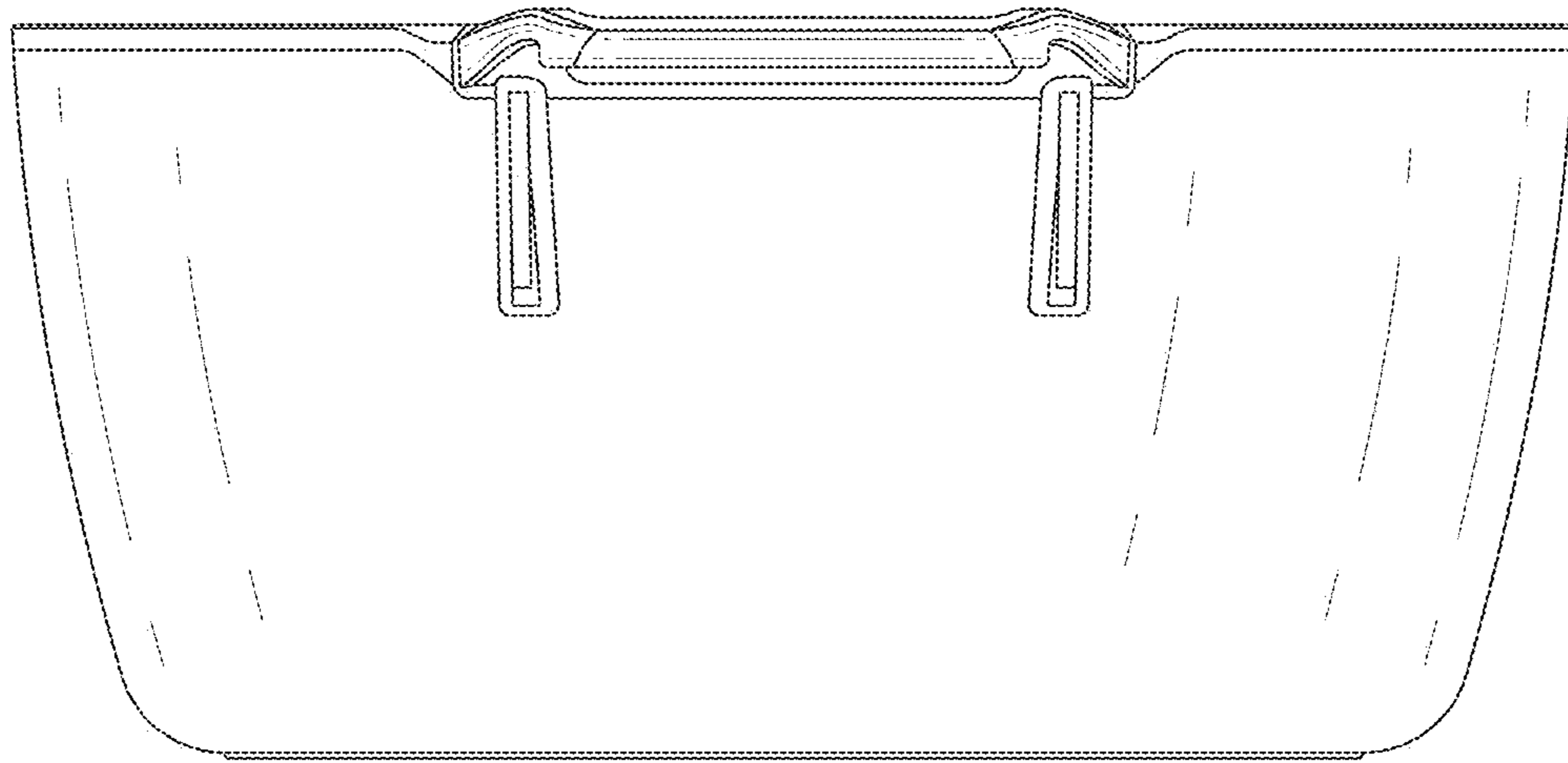


FIG. 6



