



US00D923385S

(12) **United States Design Patent**
Liu

(10) **Patent No.:** **US D923,385 S**
(45) **Date of Patent:** **** Jun. 29, 2021**

(54) **PASS THROUGH GRILLING MECHANISM**

(71) Applicant: **ILLINOIS TOOL WORKS INC.**,
Glenview, IL (US)

(72) Inventor: **Jian Liu**, Guangzhou (CN)

(73) Assignee: **ILLINOIS TOOL WORKS INC.**,
Glenview, IL (US)

(**) Term: **15 Years**

(21) Appl. No.: **29/674,100**

(22) Filed: **Dec. 19, 2018**

(30) **Foreign Application Priority Data**

Jun. 26, 2018 (CN) 201830331048.X

(51) **LOC (13) Cl.** **07-02**

(52) **U.S. Cl.**
USPC **D7/341; D7/339**

(58) **Field of Classification Search**
USPC D7/323, 332-337, 402-409
CPC ... A21B 1/40; A21B 1/48; A21B 1/245; A47J
37/00; A47J 37/07; A47J 37/045; A47J
37/079; A47J 37/0704; A47J 2037/0777;
A23B 4/052; F24C 14/025
See application file for complete search history.

(56) **References Cited**

U.S. PATENT DOCUMENTS

5,025,775 A * 6/1991 Crisp A21B 1/245
126/21 A
5,239,917 A * 8/1993 Lutkie A21B 1/48
126/21 A
5,584,237 A * 12/1996 Moshonas A21B 1/245
126/21 A

5,964,044 A * 10/1999 Lauersdorf A21B 1/245
126/21 A
6,157,002 A * 12/2000 Schjerven, Sr. A21B 1/48
219/388
6,259,064 B1 * 7/2001 Wilson A21B 1/245
219/388
8,536,493 B1 * 9/2013 Wolfe A21B 1/48
219/400
9,585,400 B2 * 3/2017 Wiker A21B 1/40
10,024,548 B2 * 7/2018 Wiker F24C 14/025
2009/0139976 A1 * 6/2009 Lee A21B 1/245
219/400
2010/0058936 A1 * 3/2010 Schjerven, Sr. A21B 1/245
99/443 C
2011/0283894 A1 * 11/2011 Schjerven, Sr. A21B 1/245
99/443 C
2012/0211334 A1 * 8/2012 Barnes A47J 37/045
198/844.2

* cited by examiner

Primary Examiner — Ricky Pham

(74) *Attorney, Agent, or Firm* — Thompson Hine LLP

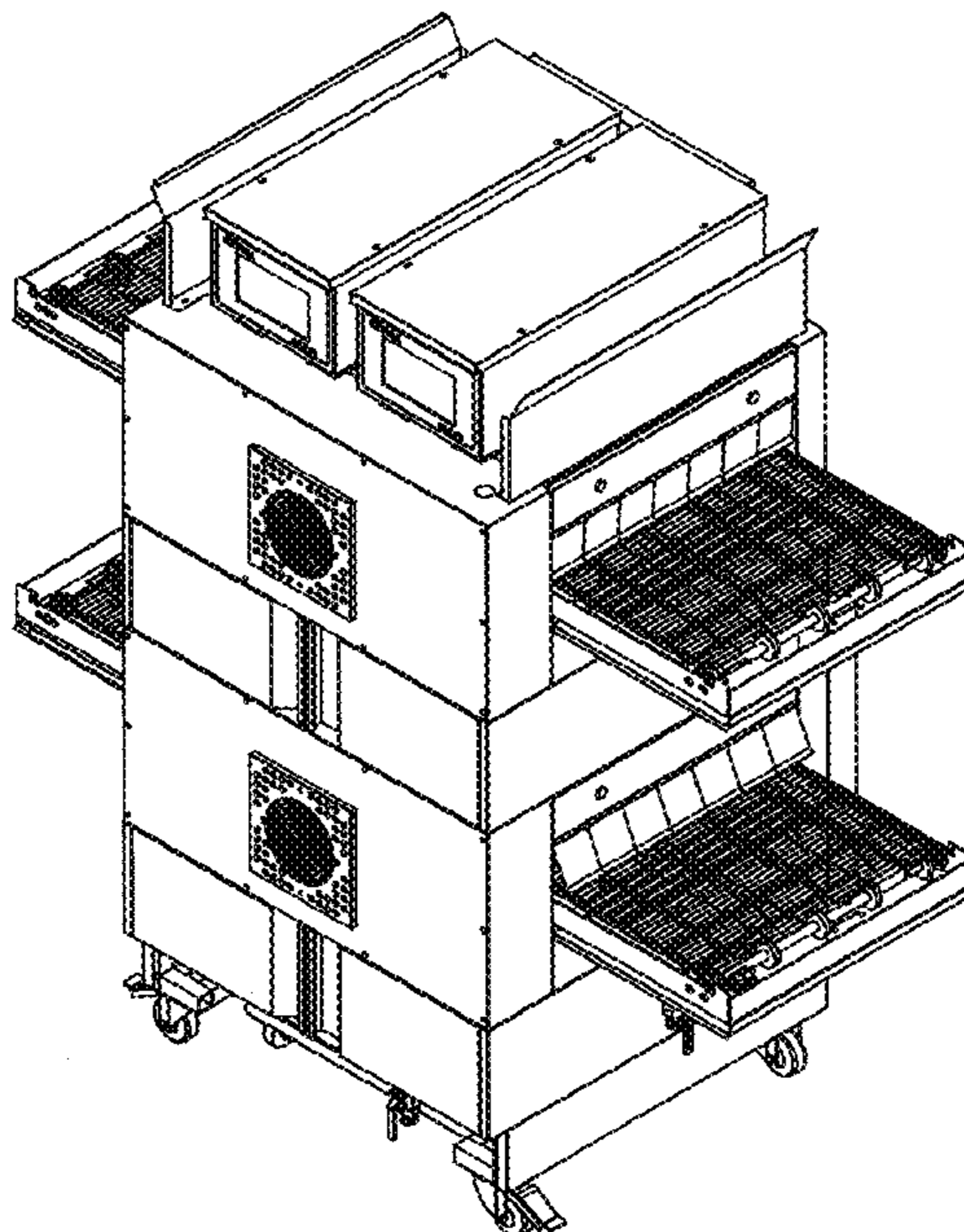
(57) **CLAIM**

The ornamental design for a pass through grilling mechanism, as shown and described.

DESCRIPTION

FIG. 1 is a perspective of a pass through grilling mechanism; FIG. 2 is a front view of the pass through grilling mechanism; FIG. 3 is a rear view of the pass through grilling mechanism; FIG. 4 is a right side view of the pass through grilling mechanism; FIG. 5 is a left side view of the pass through grilling mechanism; FIG. 6 is a bottom view of the pass through grilling mechanism; and, FIG. 7 is a top view of the pass through grilling mechanism.

1 Claim, 6 Drawing Sheets



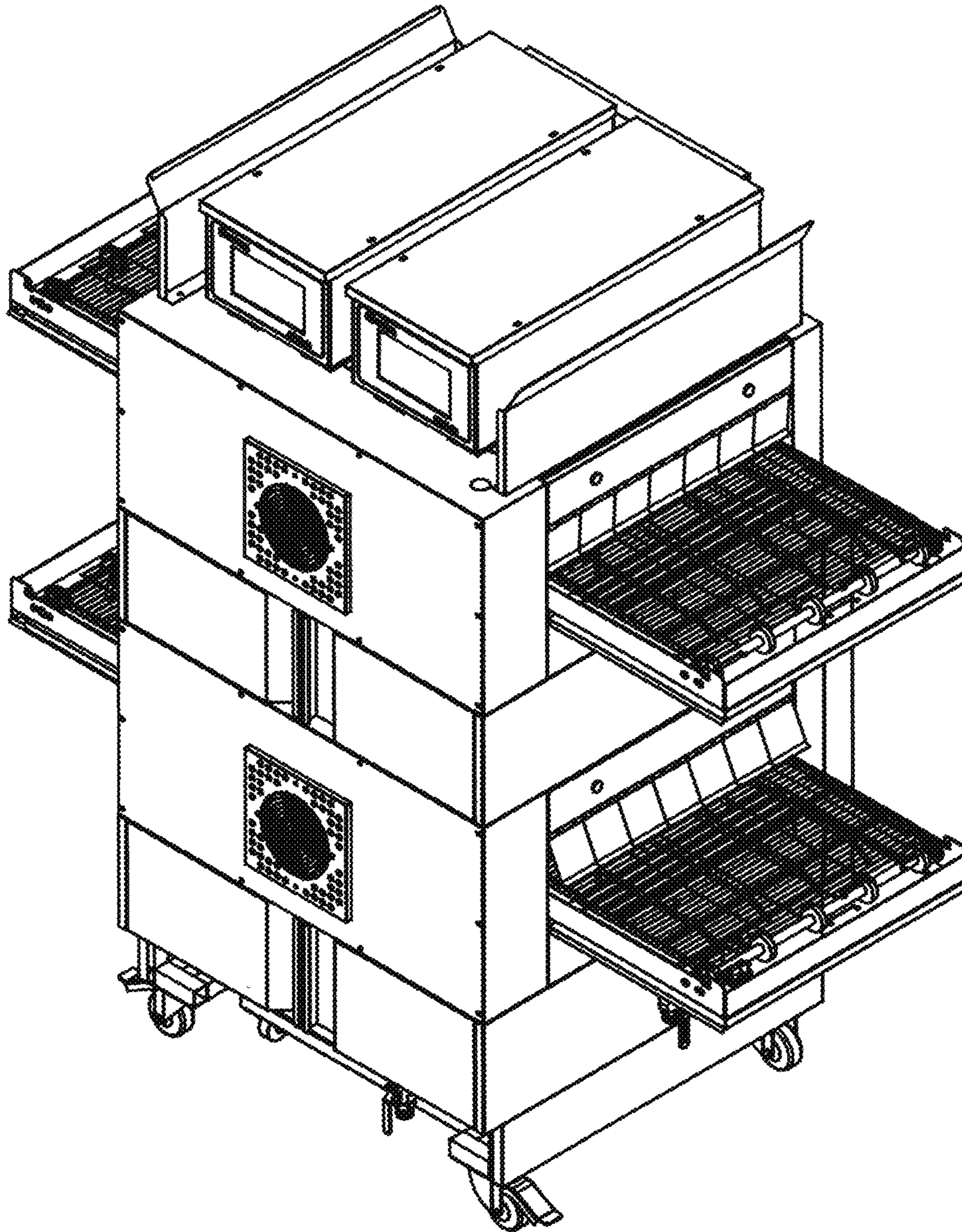


Fig. 1

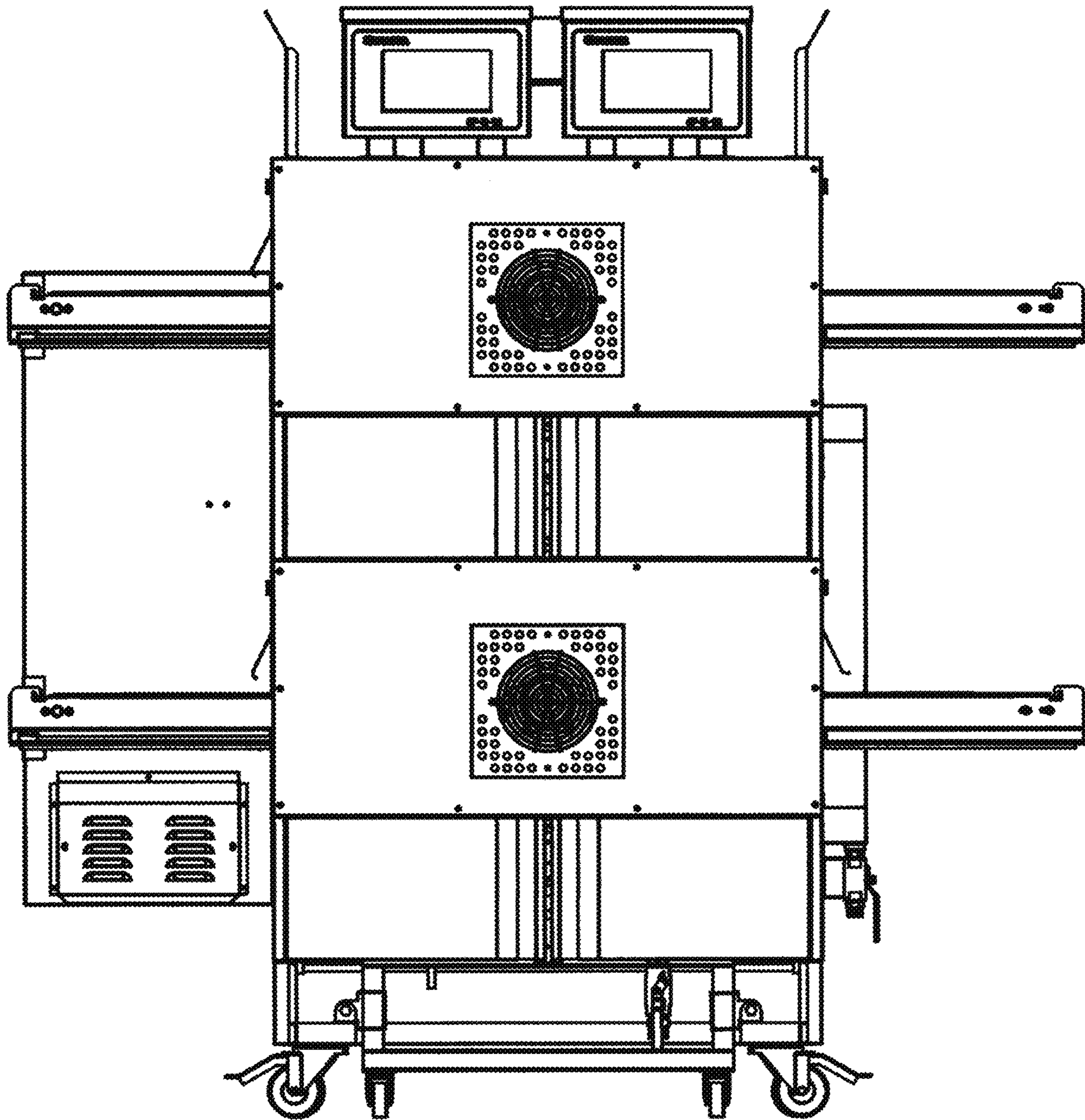


Fig. 2

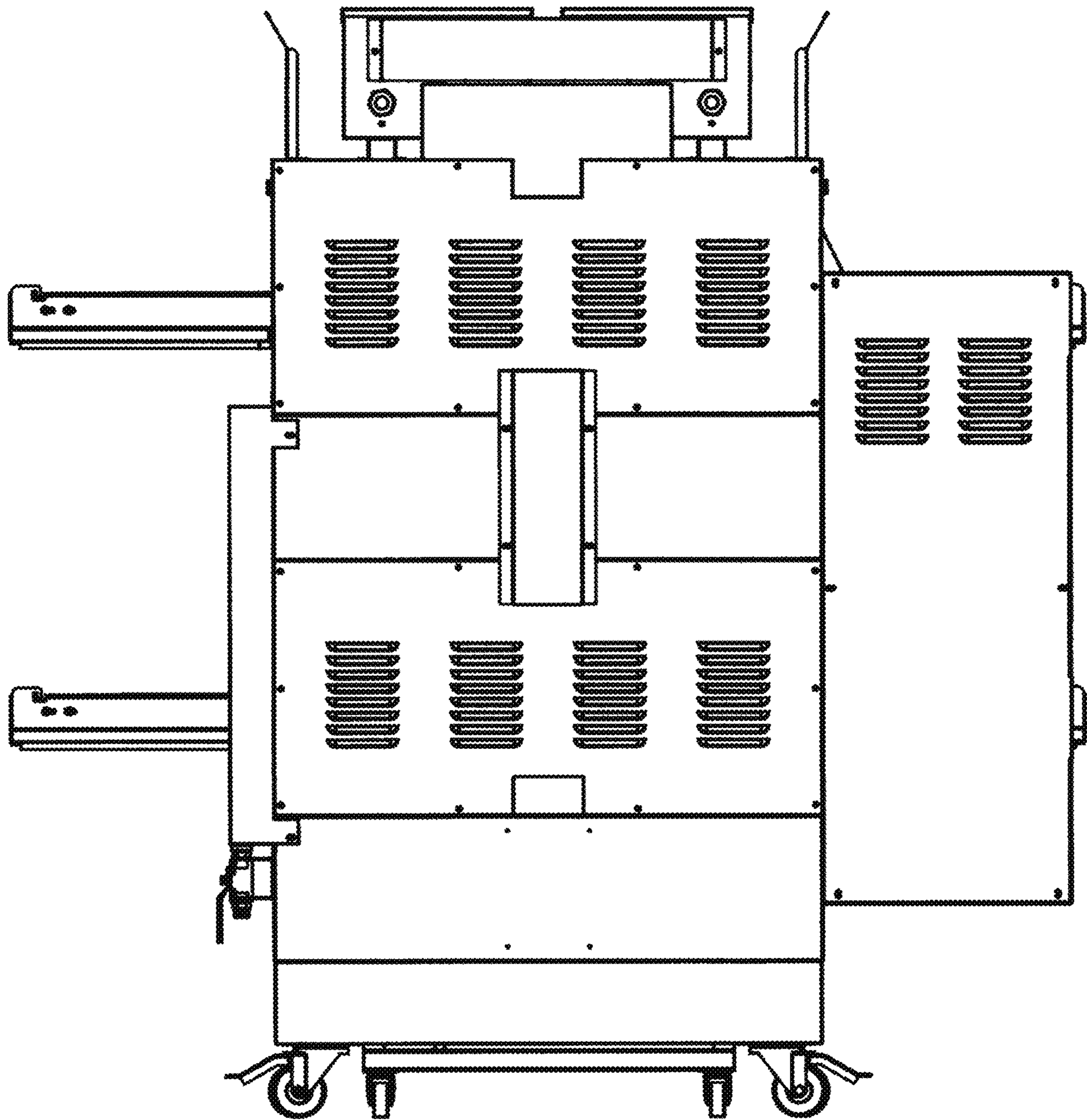


Fig. 3

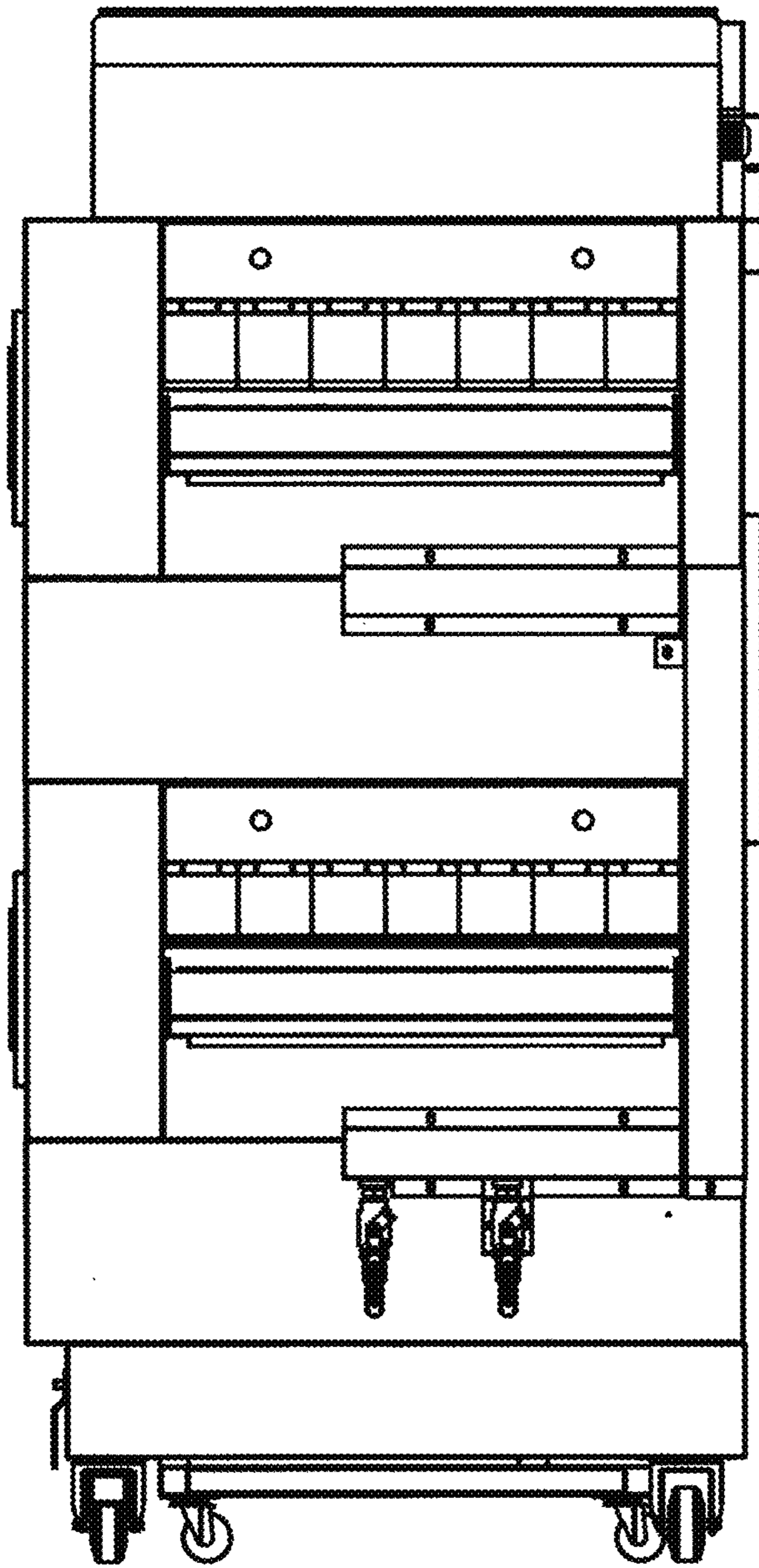


Fig. 4

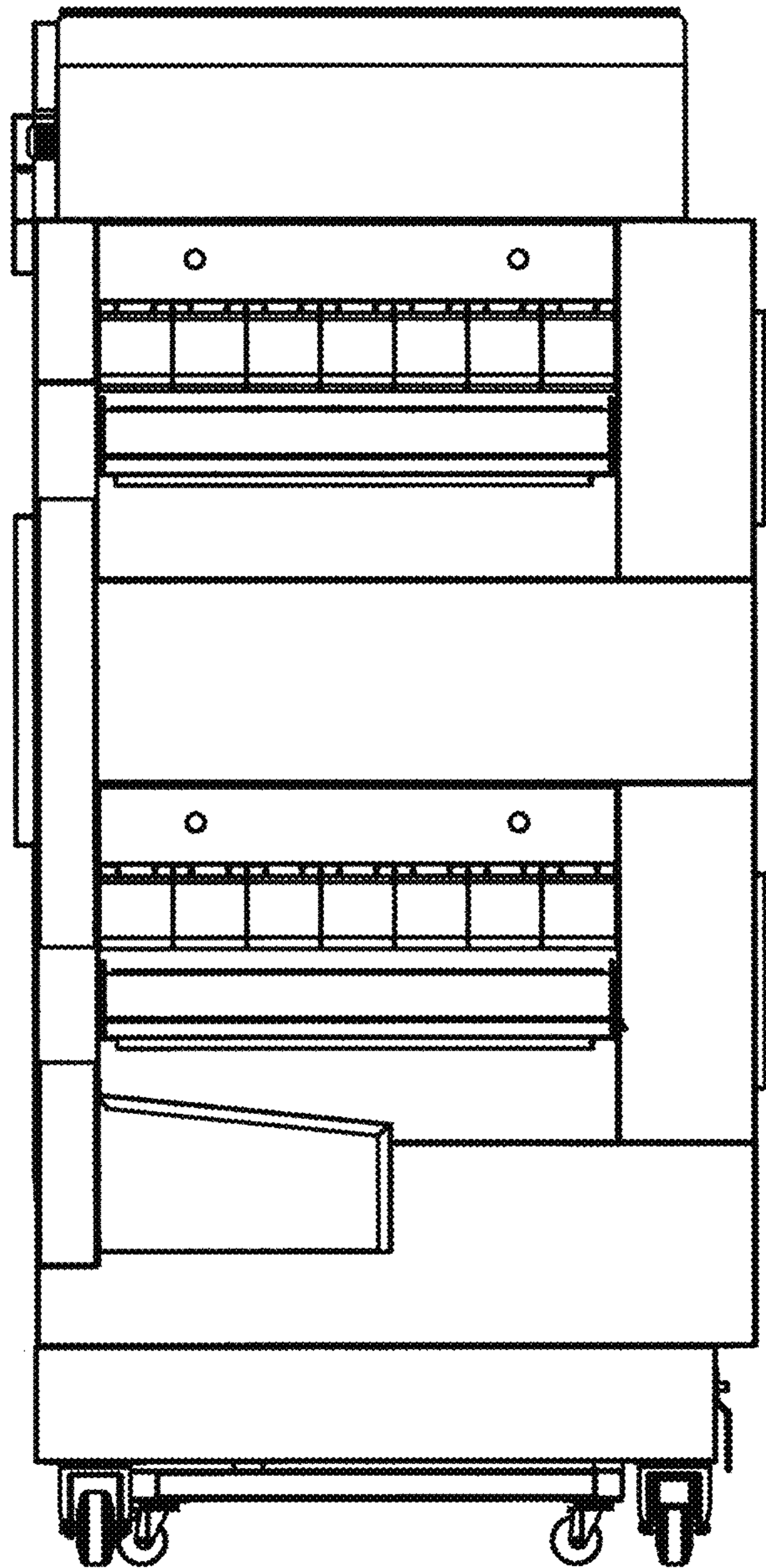


Fig. 5

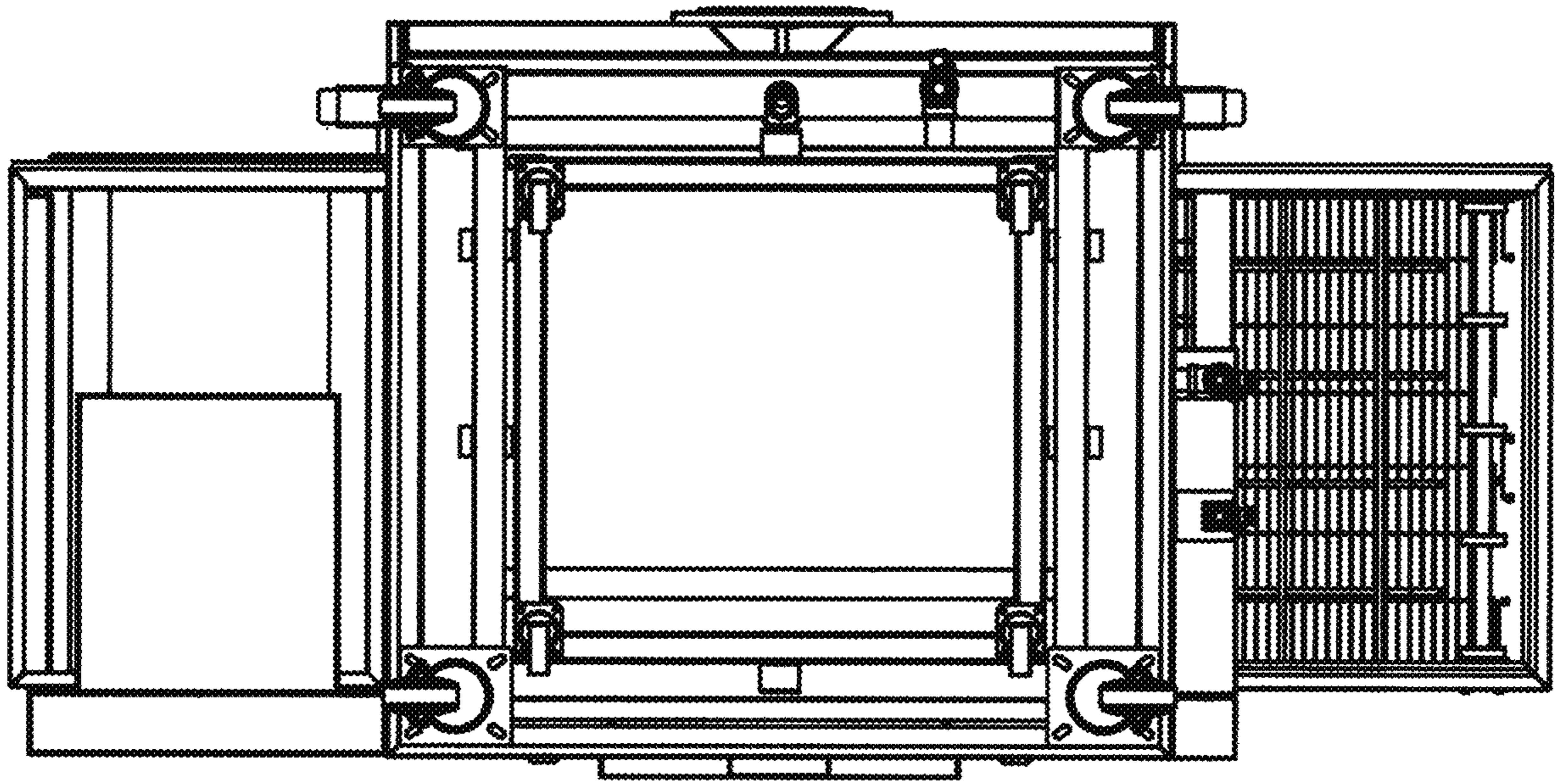


Fig. 6

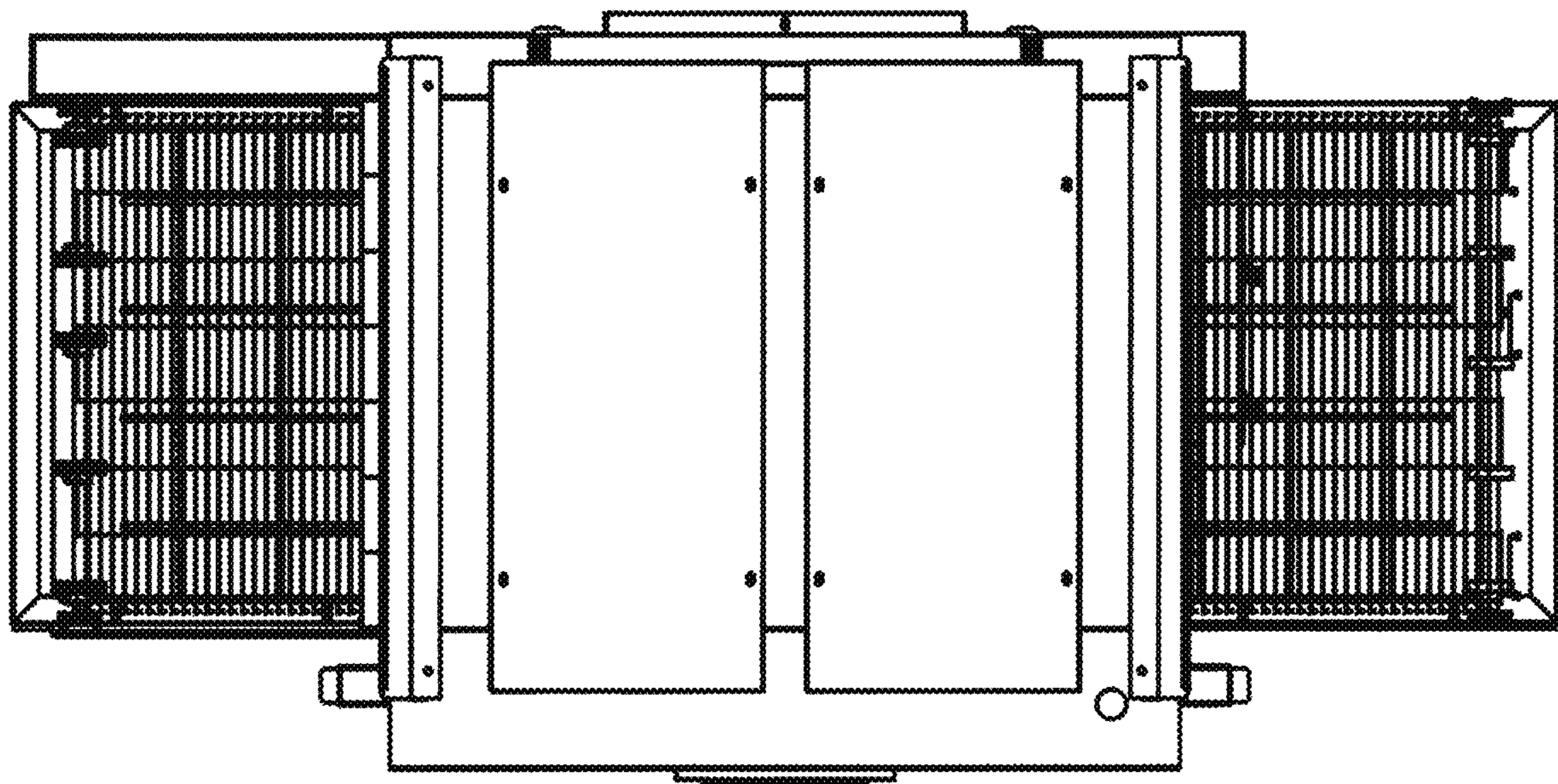


Fig. 7