



US00D923384S

(12) **United States Design Patent** (10) **Patent No.:** **US D923,384 S**  
**Liang et al.** (45) **Date of Patent:** **\*\* Jun. 29, 2021**

(54) **BARBECUE GRILL**

(71) Applicants: **Caihuan Liang**, Guangdong (CN);  
**Mingzong Wang**, Guangdong (CN)

(72) Inventors: **Caihuan Liang**, Guangdong (CN);  
**Mingzong Wang**, Guangdong (CN)

(\*\*) Term: **15 Years**

(21) Appl. No.: **29/714,339**

(22) Filed: **Nov. 22, 2019**

(30) **Foreign Application Priority Data**

May 23, 2019 (CN) ..... 201930256893.X

(51) **LOC (13) Cl.** ..... **07-02**

(52) **U.S. Cl.**  
USPC ..... **D7/334**

(58) **Field of Classification Search**

USPC ..... D7/323, 327, 332, 334, 335, 339, 347,  
D7/348, 350.2, 350.3, 350.4, 354, 402  
CPC .. A47J 33/00; A47J 36/38; A47J 37/00; A47J  
37/04; A47J 37/06; A47J 37/0623; A47J  
37/0629; A47J 37/0635; A47J 37/0647;  
A47J 37/0652; A47J 37/0658; A47J  
37/07; A47J 37/0704; A47J 37/0709;  
A47J 37/0713; A47J 37/0718; A47J  
37/0722; A47J 37/0727; A47J 37/075;  
A47J 37/0754; A47J 37/0763; A47J  
37/0786; A47J 2037/0777; F24C 1/16;  
F24C 5/20

See application file for complete search history.

(56) **References Cited**

U.S. PATENT DOCUMENTS

D493,328 S 7/2004 Wood  
D642,416 S \* 8/2011 Scott ..... D7/332  
D760,531 S 7/2016 Scheer  
D826,619 S 8/2018 Measom et al.  
2019/0059652 A1\* 2/2019 Kohli ..... A47J 37/0786

\* cited by examiner

*Primary Examiner* — Mary Ann Calabrese

*Assistant Examiner* — Natalya M Rapundalo

(74) *Attorney, Agent, or Firm* — Craft Chu PLLC;

Andrew W. Chu

(57) **CLAIM**

The ornamental design for a barbecue grill, as shown and described.

**DESCRIPTION**

FIG. 1 is an upper front perspective view of the barbecue grill showing my new design.

FIG. 2 is an upper rear perspective view thereof.

FIG. 3 is a front elevation view thereof.

FIG. 4 is a back elevation view thereof.

FIG. 5 is a right side elevation view thereof.

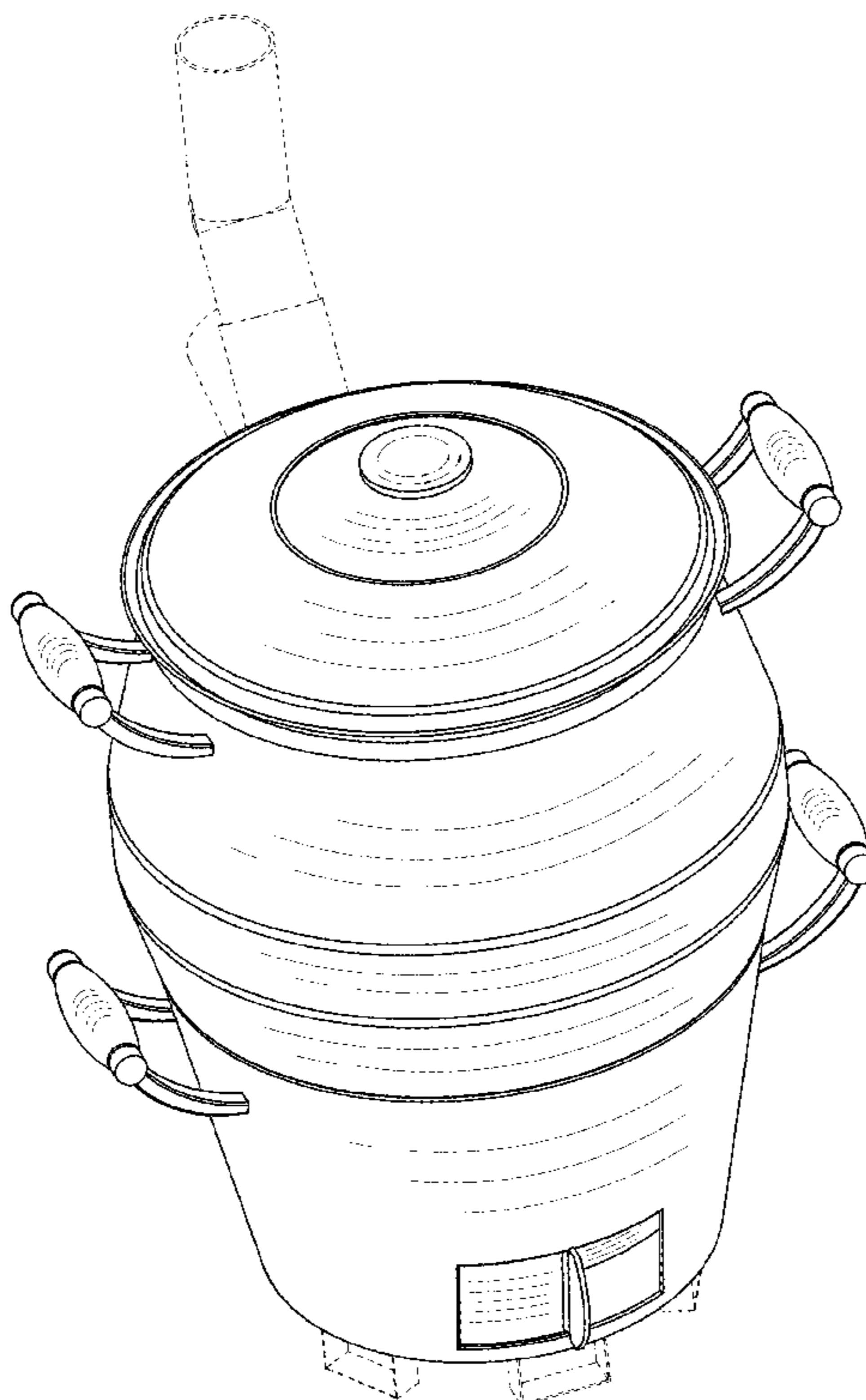
FIG. 6 is a left side elevation view thereof.

FIG. 7 is a top plan view thereof with thereof; and,

FIG. 8 is a bottom plan view thereof.

The features shown in broken lines in FIGS. 1-8 form no part of the claimed design.

**1 Claim, 8 Drawing Sheets**



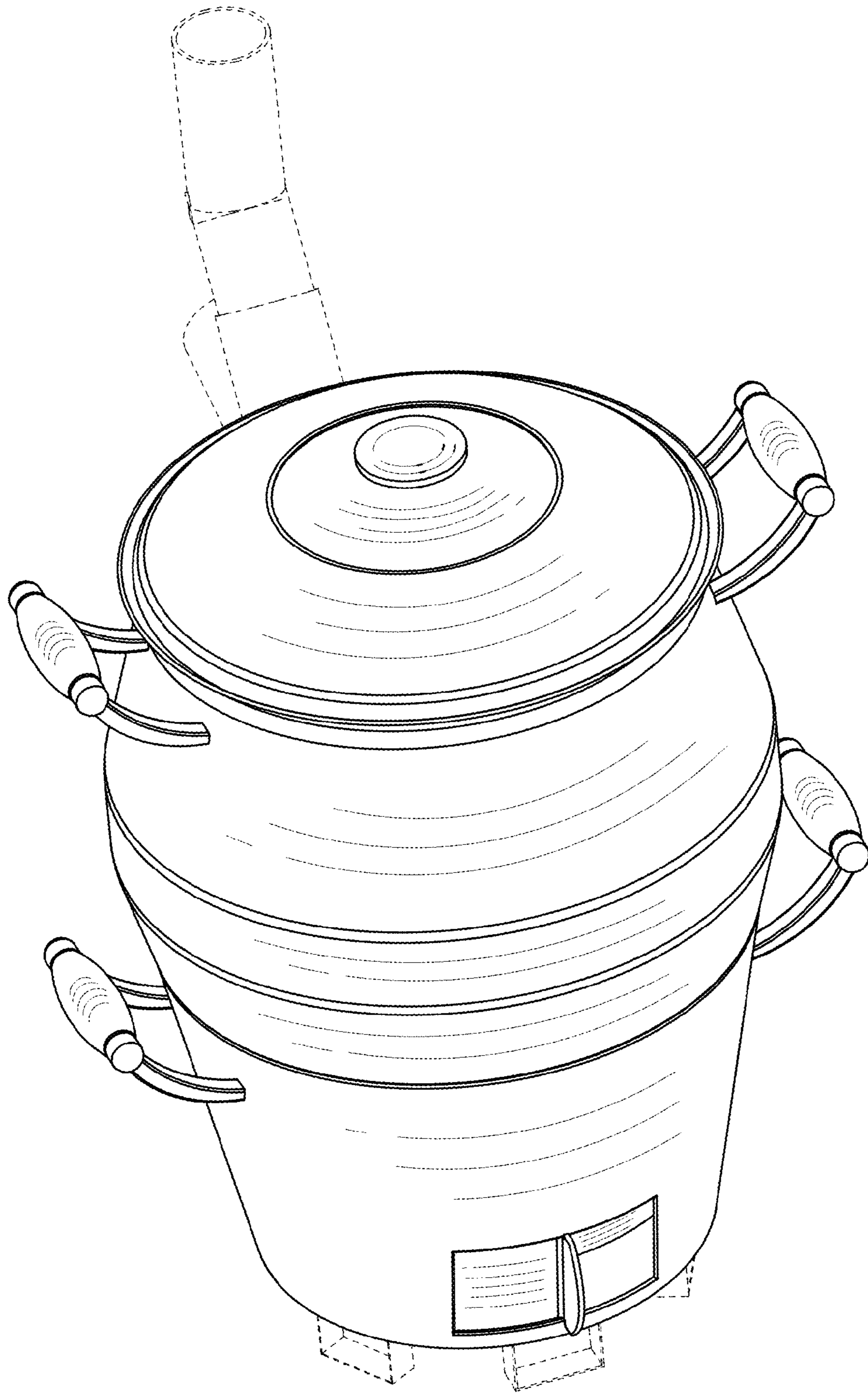


FIG.1

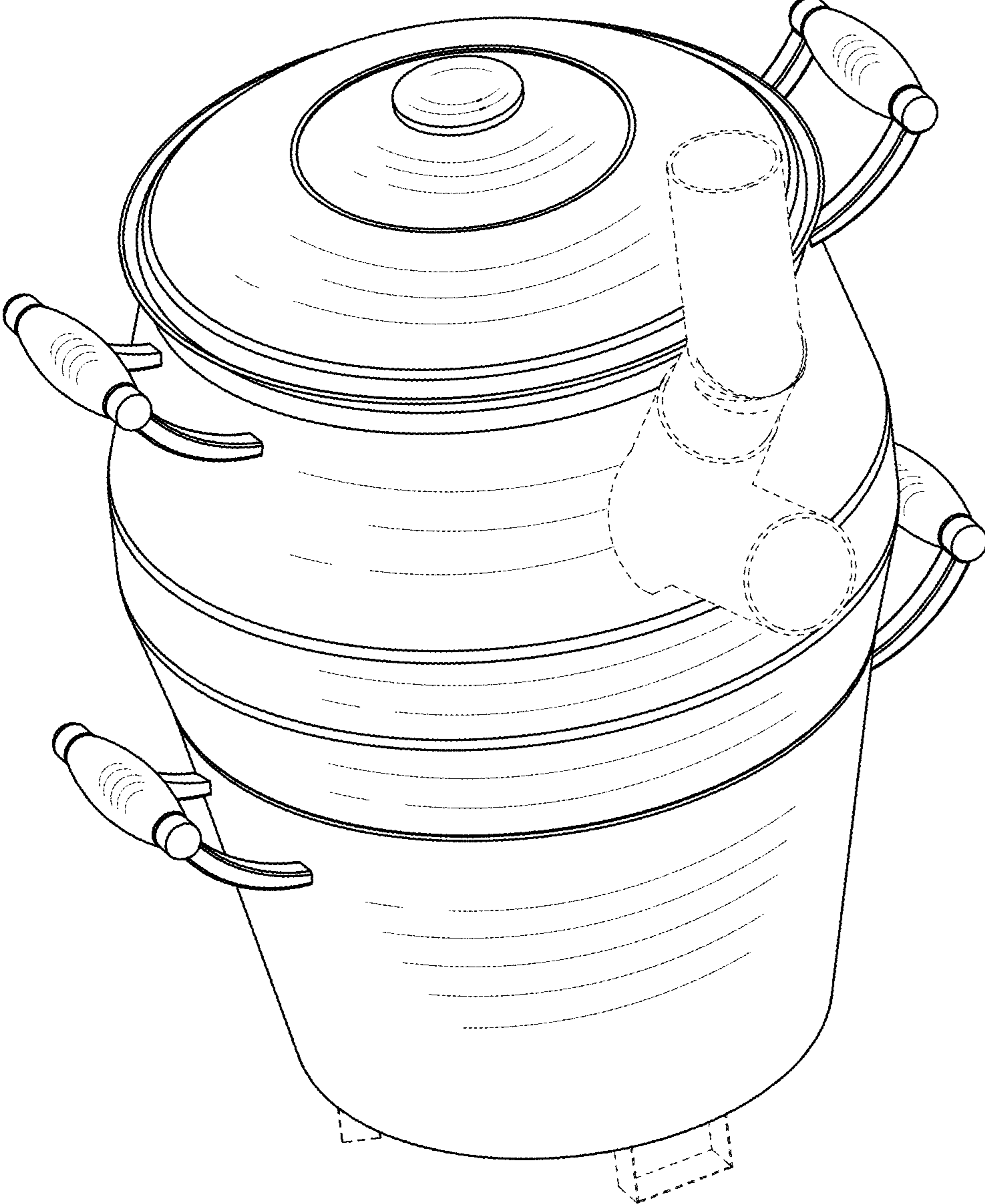


FIG.2

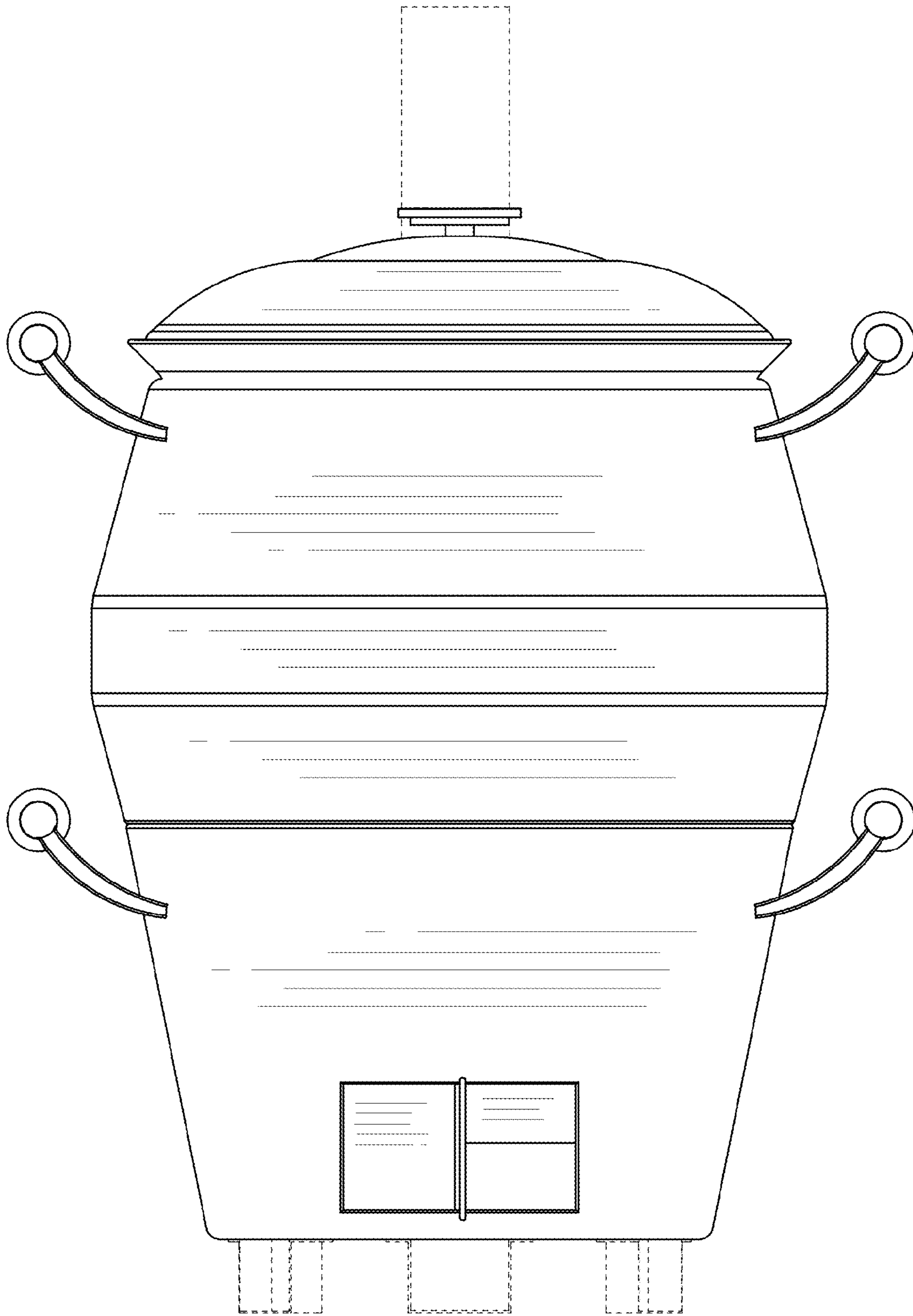


FIG.3



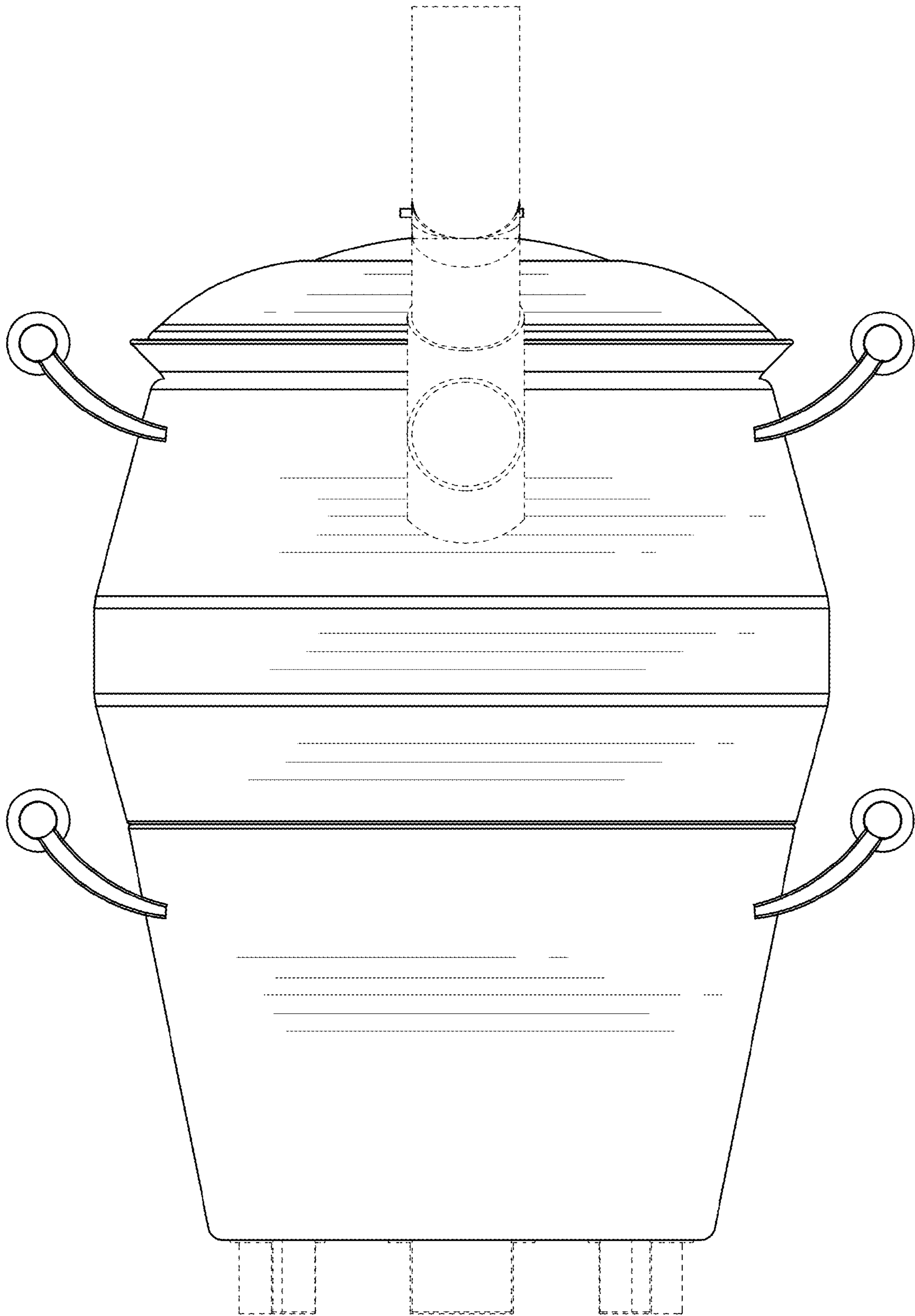


FIG.4

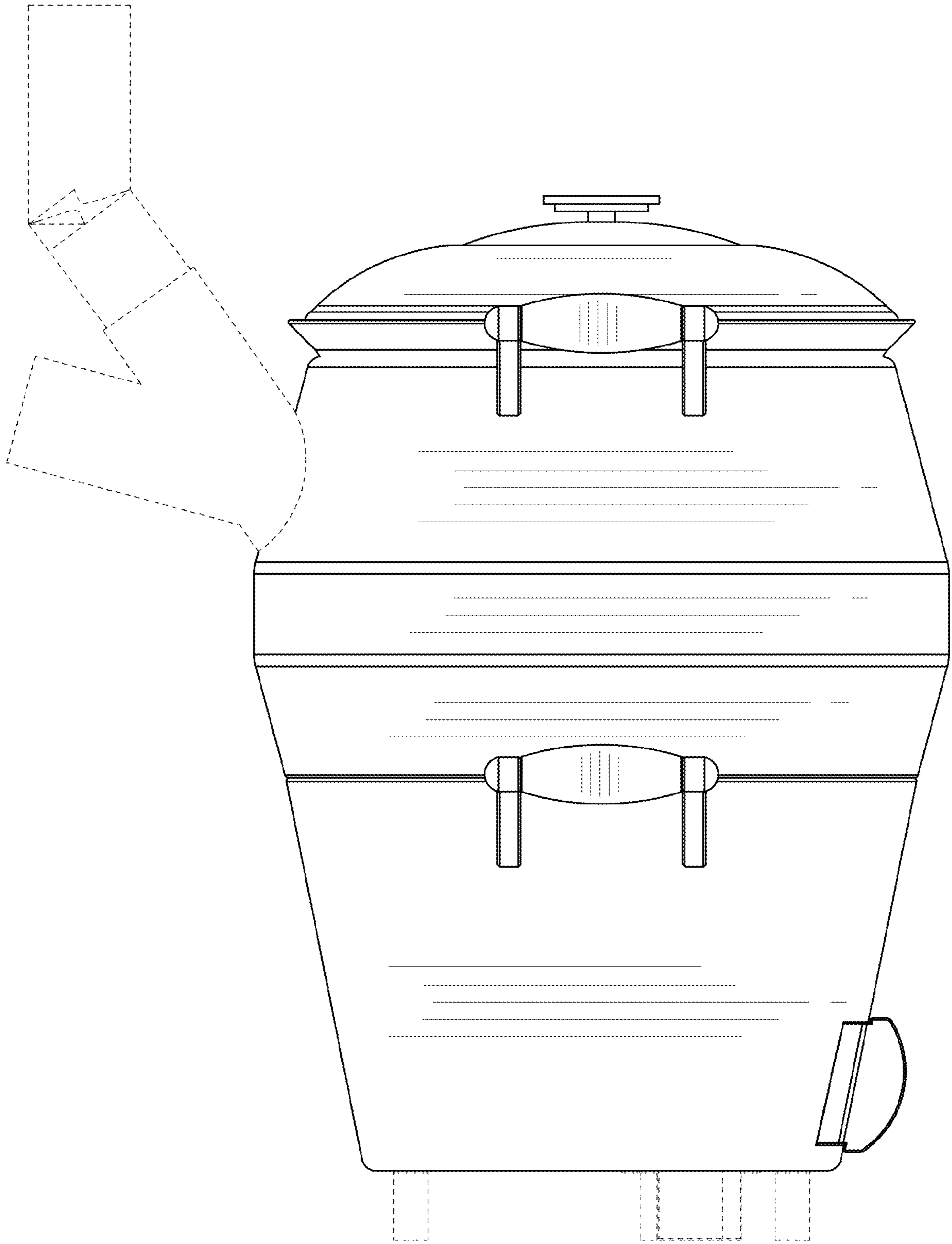


FIG. 5

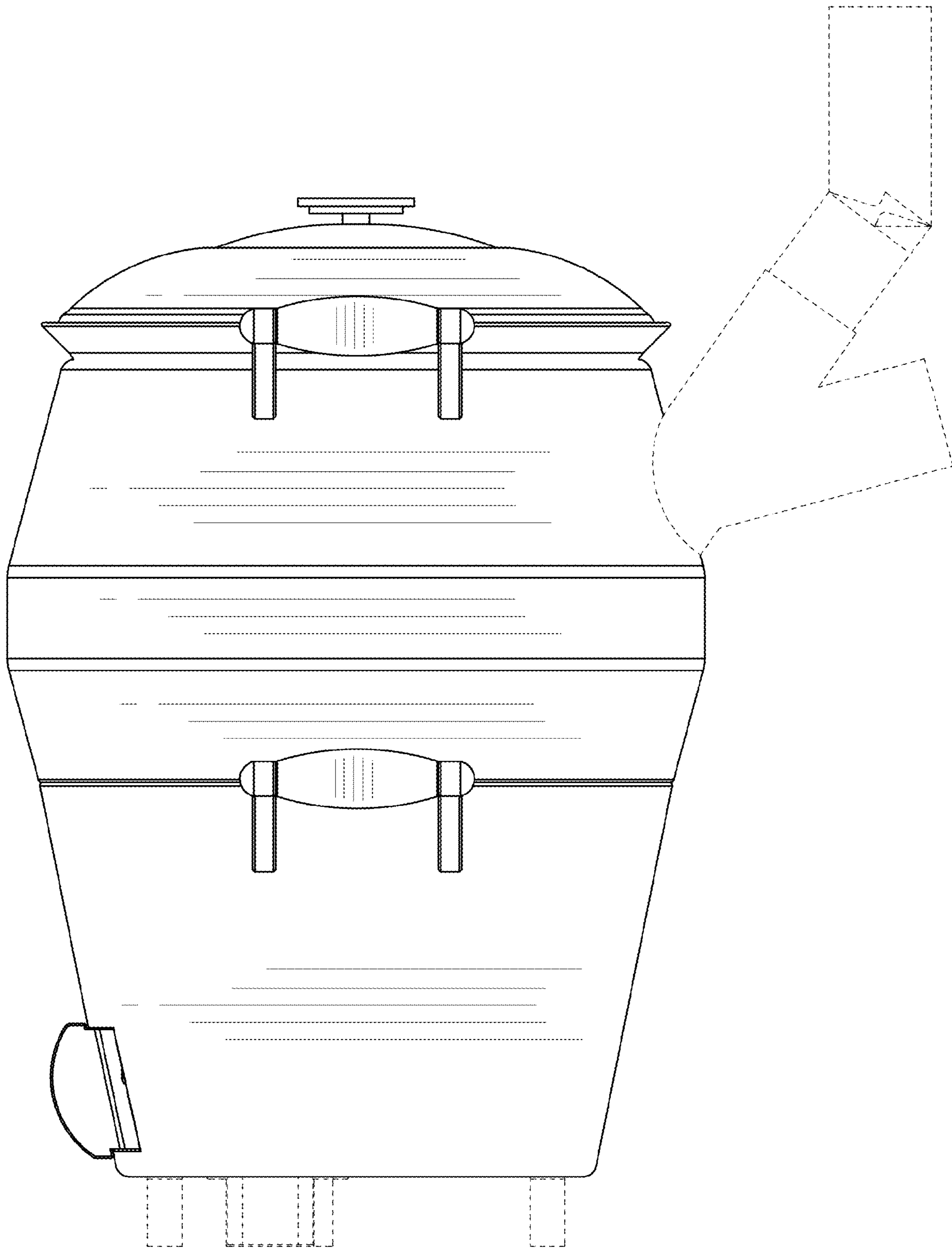


FIG.6

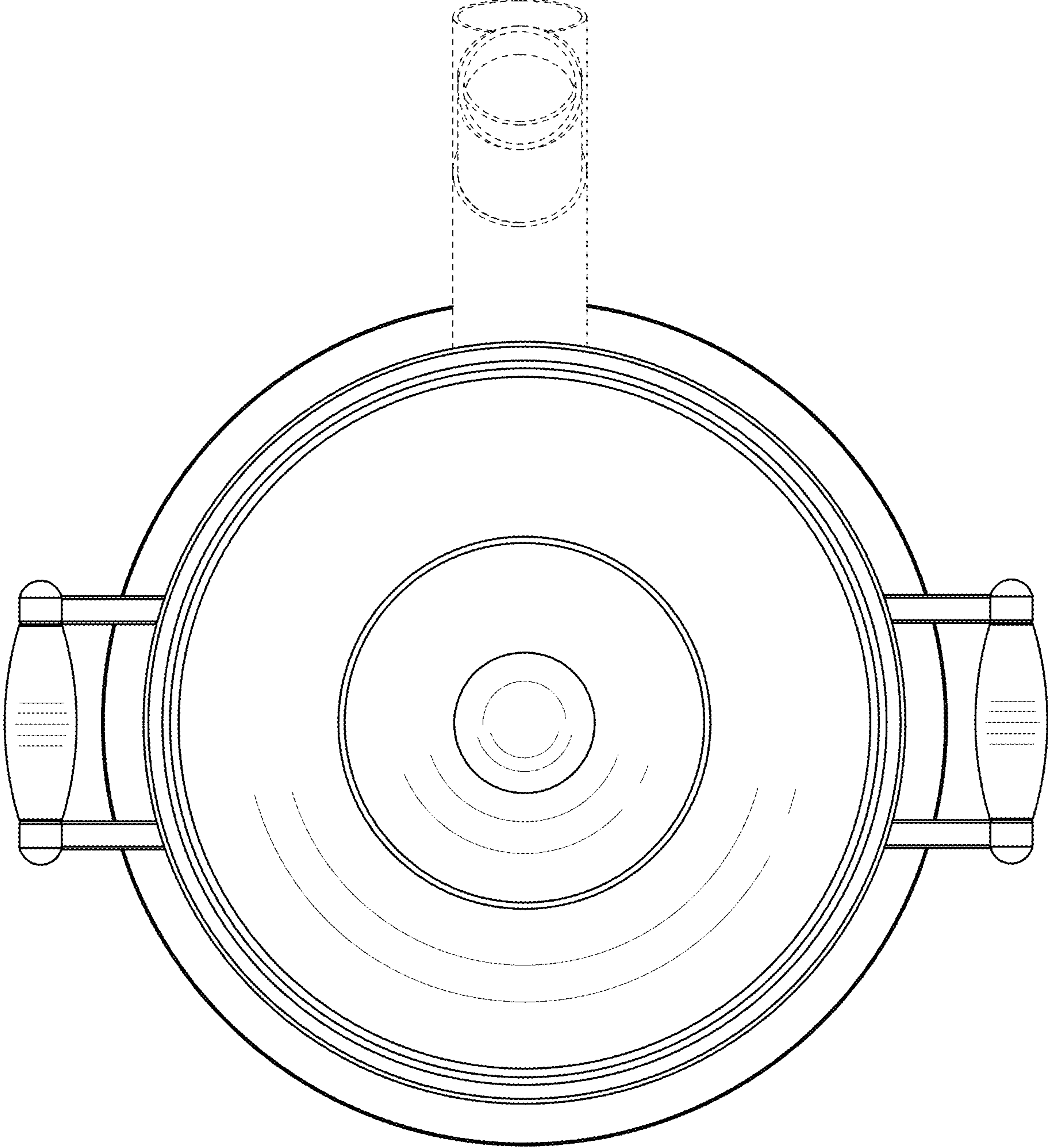


FIG. 7



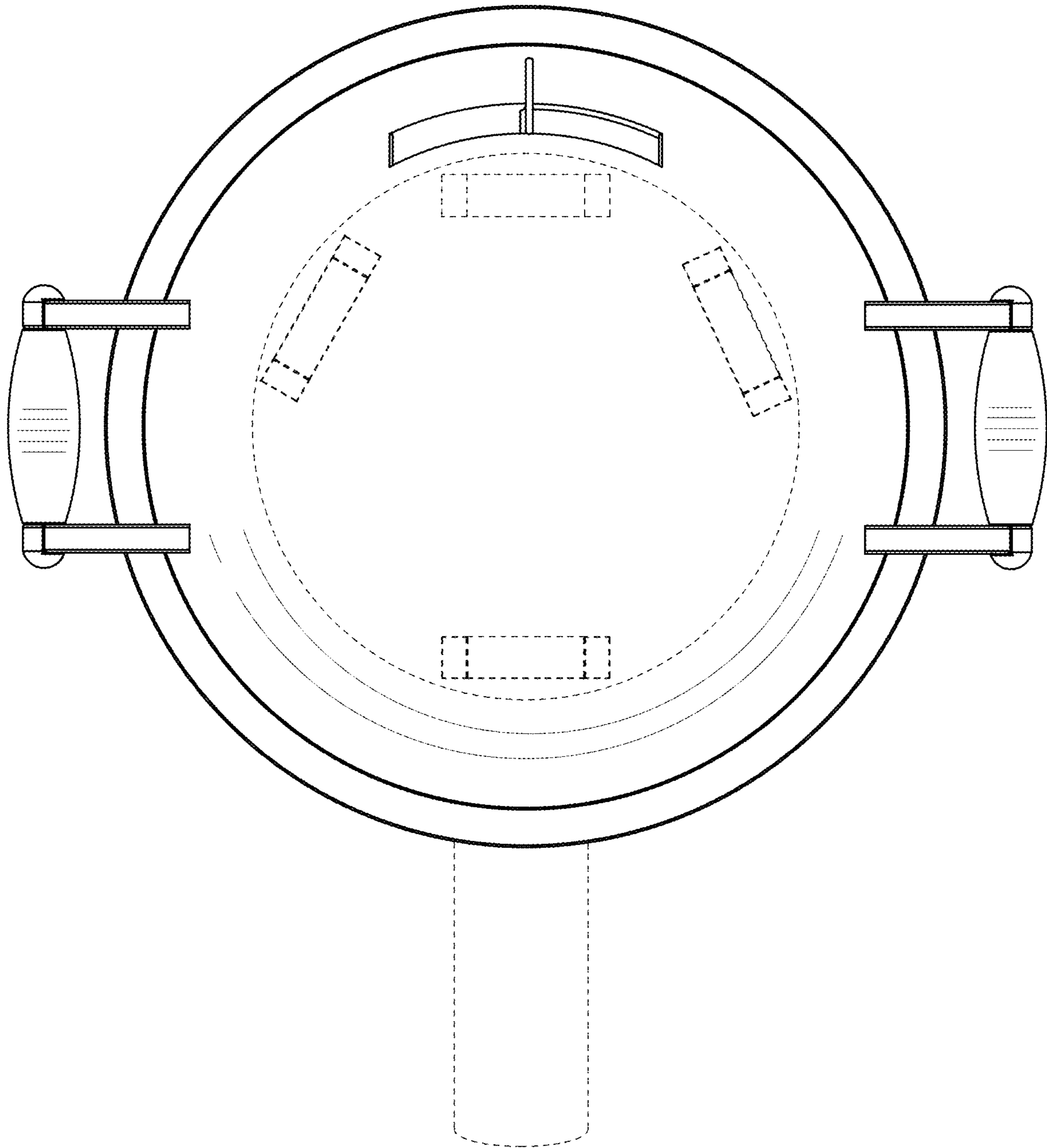


FIG. 8