



US00D923383S

(12) **United States Design Patent** (10) **Patent No.:** **US D923,383 S**
Boltz et al. (45) **Date of Patent:** **** *Jun. 29, 2021**

(54) **FOUR BURNER GRILL**
(71) Applicant: **The Boltz Group, LLC**, Addison, TX (US)
(72) Inventors: **Erica Lea Boltz**, Dallas, TX (US); **Bradley Gleaton**, Dallas, TX (US); **Randall May**, Addison, TX (US)
(73) Assignee: **The Boltz Group, LLC**, Addison, TX (US)
(*) Notice: This patent is subject to a terminal disclaimer.
(**) Term: **15 Years**
(21) Appl. No.: **29/674,537**
(22) Filed: **Dec. 21, 2018**
(51) **LOC (13) Cl.** **07-02**
(52) **U.S. Cl.**
USPC **D7/334**
(58) **Field of Classification Search**
USPC D7/323, 331-338, 402-409
CPC A47J 37/07-0713; A47J 37/0763; A47J 37/0781
See application file for complete search history.

D557,558 S * 12/2007 Chau D7/402
D560,418 S * 1/2008 Chau D7/334
D571,603 S * 6/2008 Chung D7/334
D571,604 S * 6/2008 Chung D7/334
D571,605 S * 6/2008 Chung D7/334
D601,378 S 10/2009 Chung
7,798,139 B2 9/2010 Gagas et al.
(Continued)

FOREIGN PATENT DOCUMENTS

CA 147143 3/2013
CA 147144 3/2013
(Continued)

OTHER PUBLICATIONS

Cuisinart, 3 in 1 Stainless Five Burner Gas Grill, Dec. 19, 2018, Youtube, <https://www.youtube.com/watch?v=Q29P-CEI2No> (Year: 2018).*
(Continued)

Primary Examiner — Brett Miller
(74) *Attorney, Agent, or Firm* — Miller & Martin PLLC

(57) **CLAIM**

The ornamental design for a four burner grill, as shown and described.

DESCRIPTION

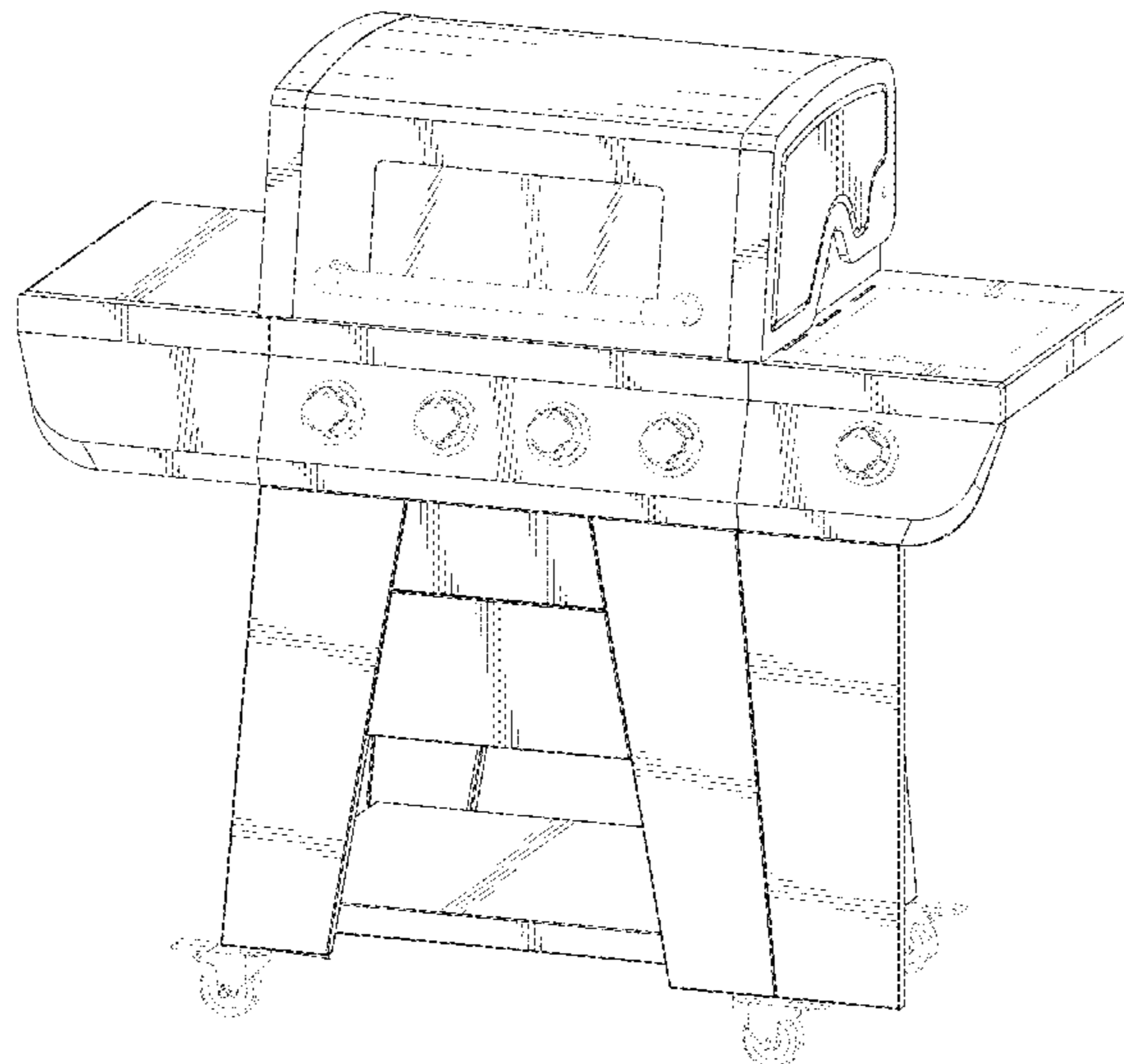
FIG. 1 is a perspective view of the four burner grill; FIG. 2 is a front view thereof; FIG. 3 is a top view thereof; FIG. 4 is a bottom view thereof; FIG. 5 is a left side view thereof; FIG. 6 is a right side view thereof; and, FIG. 7 is a back view thereof. The dashed broken lines in FIGS. 1 through 7 depict environmental subject matter only and form no part of the claimed design.

1 Claim, 6 Drawing Sheets

(56) **References Cited**

U.S. PATENT DOCUMENTS

D406,009 S * 2/1999 Wagner D7/332
D417,587 S * 12/1999 Wagner D7/402
D465,693 S * 11/2002 Coleman D7/334
D471,057 S * 3/2003 Chung D7/334
D490,642 S * 6/2004 Pai D7/334
D499,928 S * 12/2004 Zhang D7/334
D501,116 S * 1/2005 Zhang D7/334
D503,065 S * 3/2005 Pai D7/334
D528,349 S 9/2006 Chung
D529,330 S * 10/2006 Chung D7/334
D549,511 S * 8/2007 Chung D7/334
D549,514 S * 8/2007 Chung D7/334



(56)

References Cited

U.S. PATENT DOCUMENTS

D660,075 S 5/2012 Chung
 D679,126 S * 4/2013 Davis D7/334
 D679,127 S * 4/2013 Davis D7/334
 D679,128 S * 4/2013 Davis D7/334
 8,430,087 B2 4/2013 Johnston et al.
 D682,007 S * 5/2013 Davis D7/334
 D688,511 S * 8/2013 Chung D7/334
 D688,512 S * 8/2013 Chung D7/334
 D693,624 S * 11/2013 Chung D7/334
 D709,725 S * 7/2014 Golsch D7/334
 D722,809 S * 2/2015 Chung D7/334
 D722,810 S * 2/2015 Chung D7/334
 D723,860 S * 3/2015 Chung D7/334
 D731,843 S 6/2015 Chung
 9,211,036 B2 12/2015 May et al.
 9,526,375 B2 12/2016 Chang
 9,709,281 B2 7/2017 Ahmed
 D794,997 S 8/2017 Chung
 D843,771 S * 3/2019 Wong D7/334

D845,057 S * 4/2019 Lira-Nunez D7/334
 D848,776 S * 5/2019 Jiang D7/334
 D854,871 S * 7/2019 Williams D7/334
 2010/0132689 A1* 6/2010 Contarino, Jr. A47J 37/07
 126/25 B
 2018/0008095 A1 1/2018 Bennett et al.
 2018/0153346 A1 6/2018 Simms, II et al.

FOREIGN PATENT DOCUMENTS

CA 2533959 4/2014
 CA 2924809 1/2018
 CN 201230495038.2 1/2013
 EM 002110684-0011 * 9/2012
 WO 2017112936 6/2017

OTHER PUBLICATIONS

Steven Carniol, 3 Ember 4 Burner Review, May 2, 2017, Youtube,
<https://www.youtube.com/watch?v=zJUBdtdkxul> (Year: 2017).*

* cited by examiner

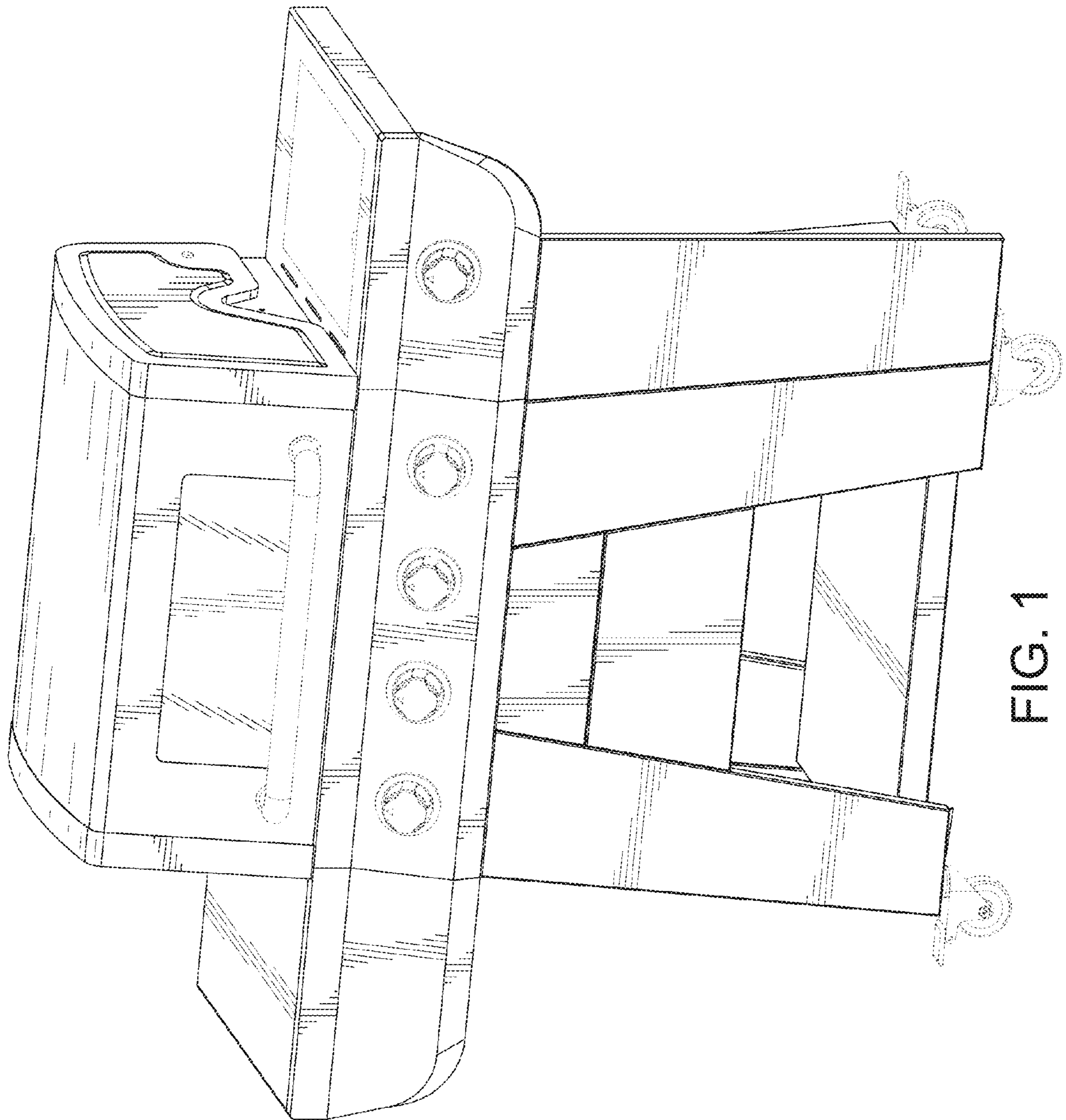
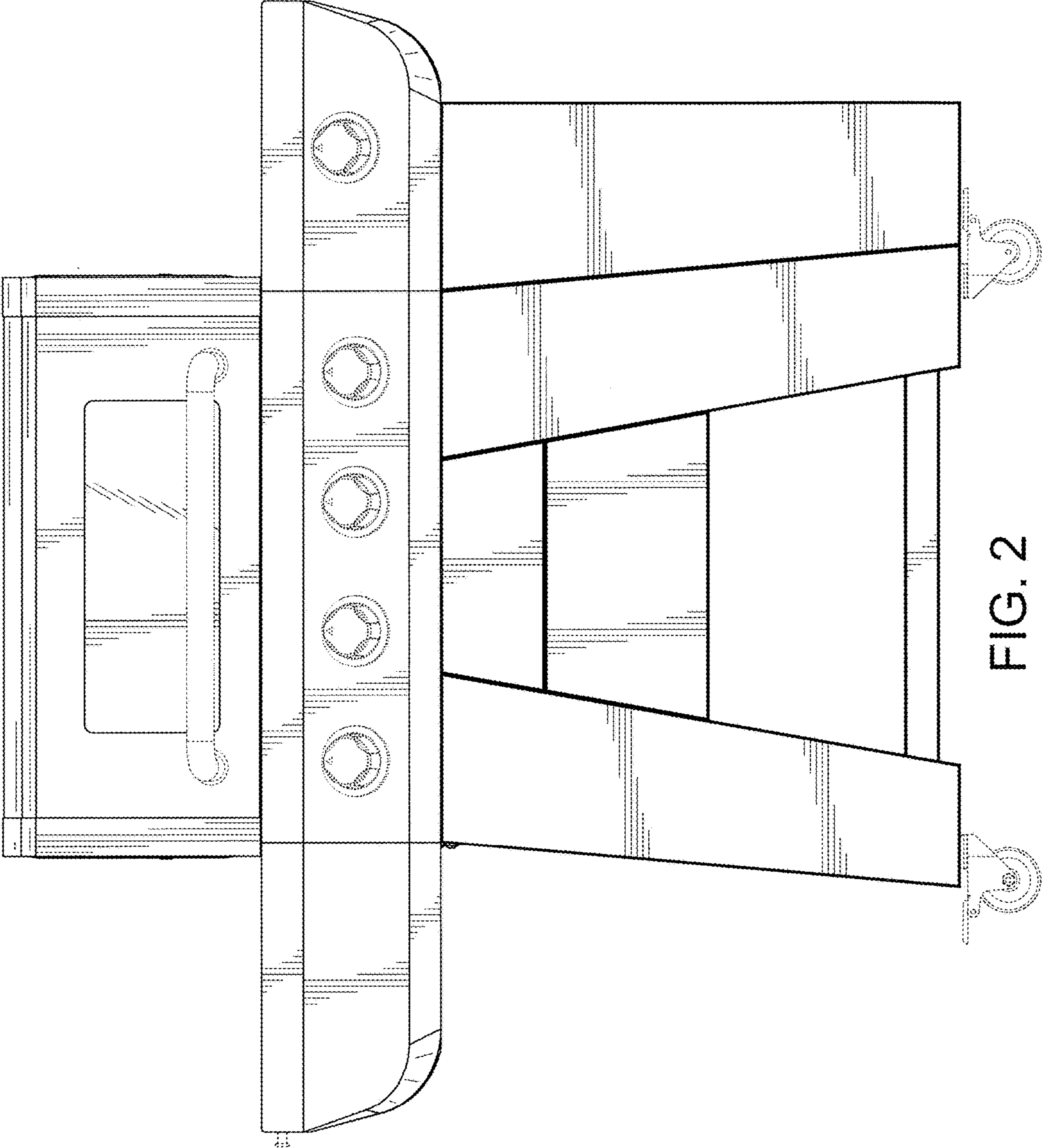


FIG. 1



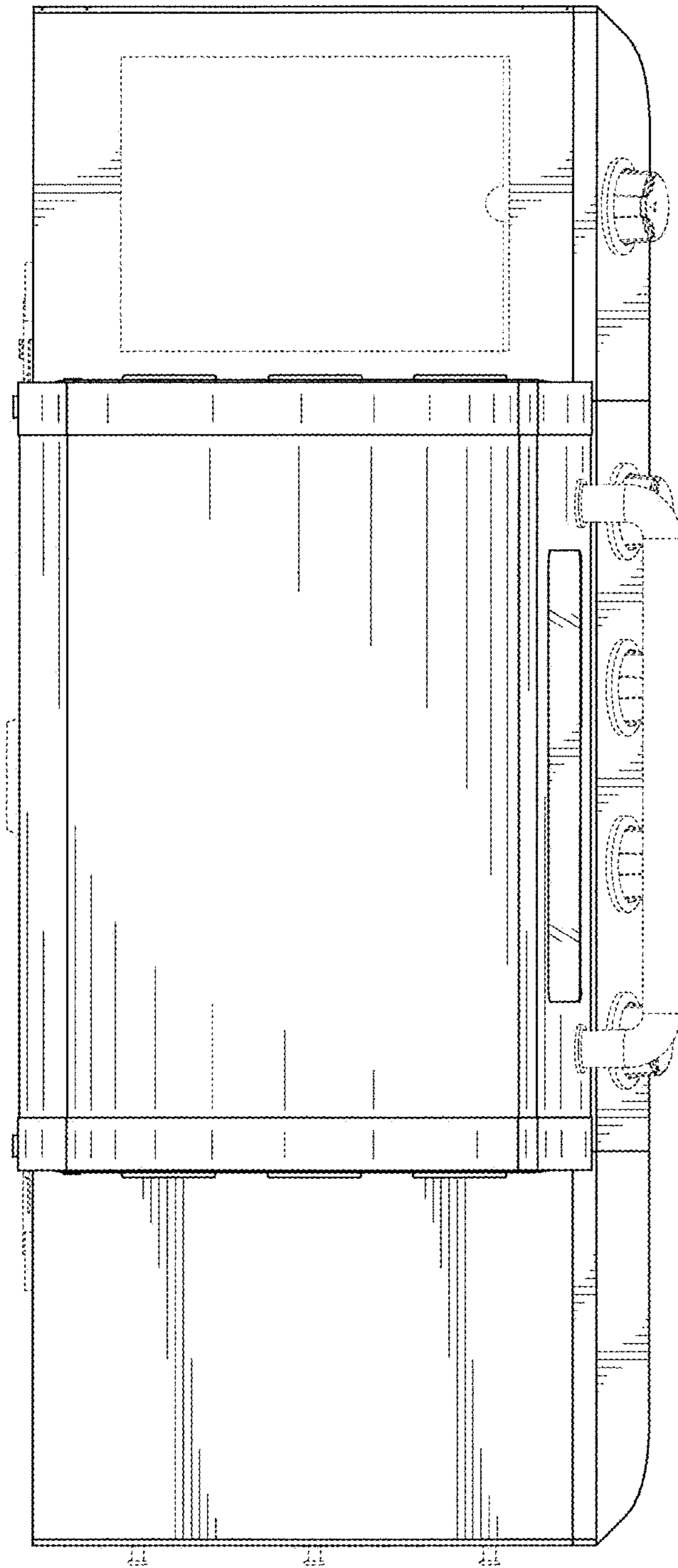


FIG. 3

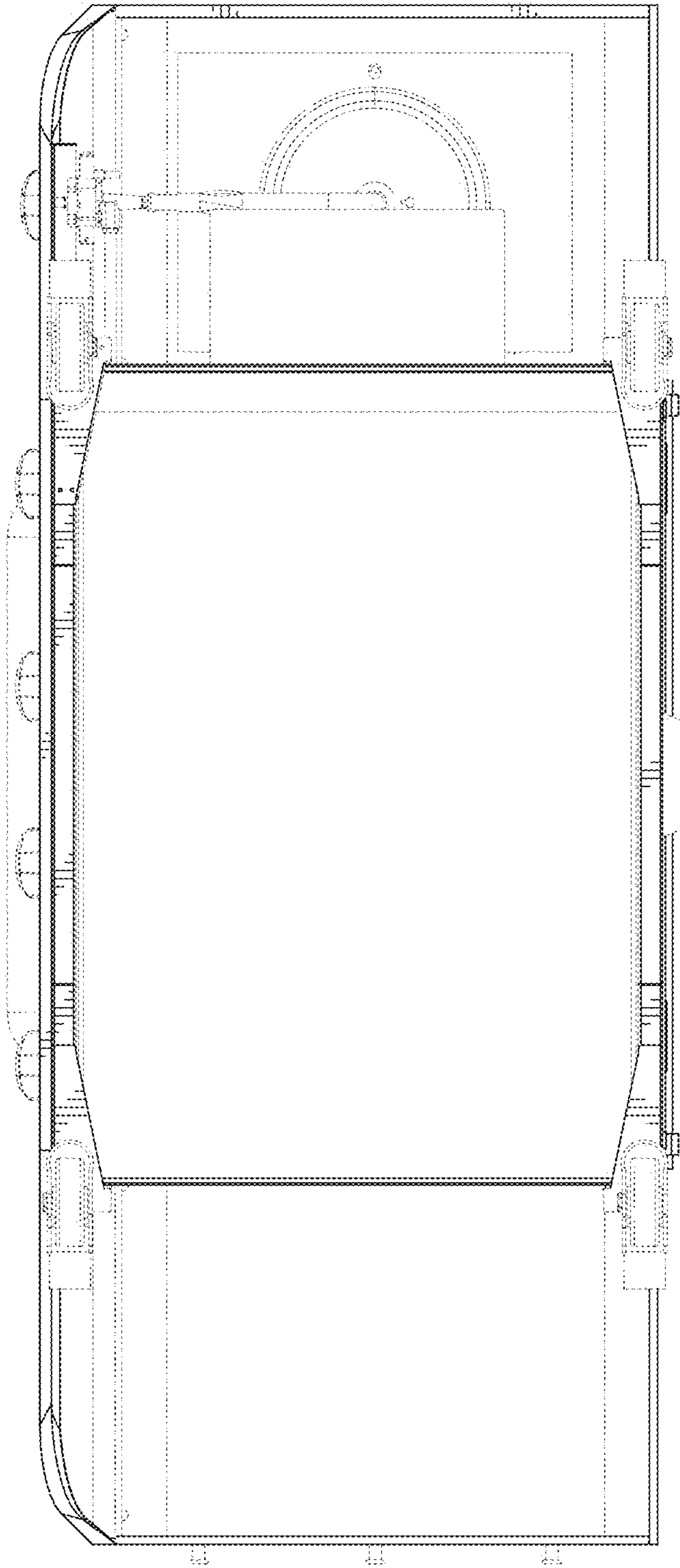


FIG. 4

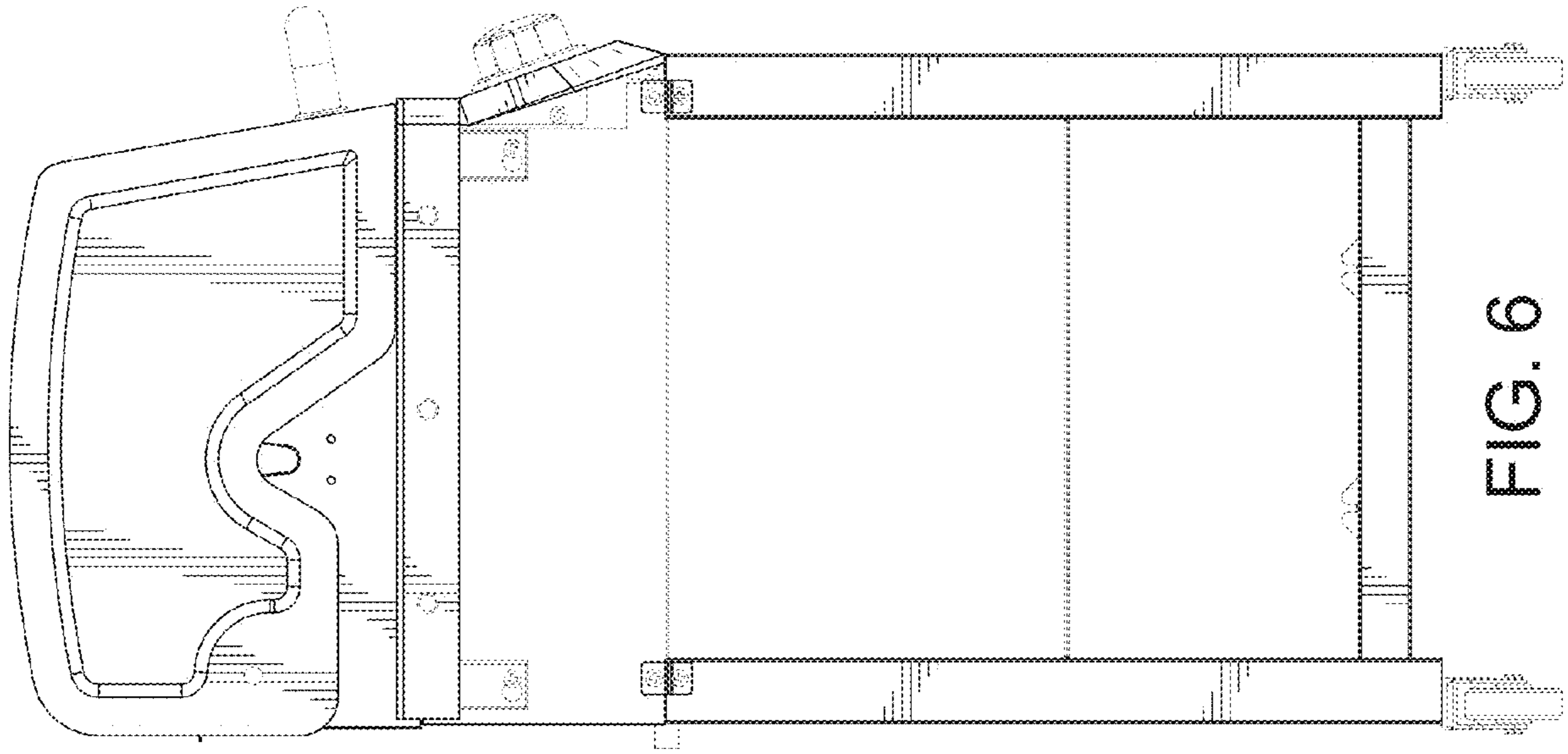


FIG. 6

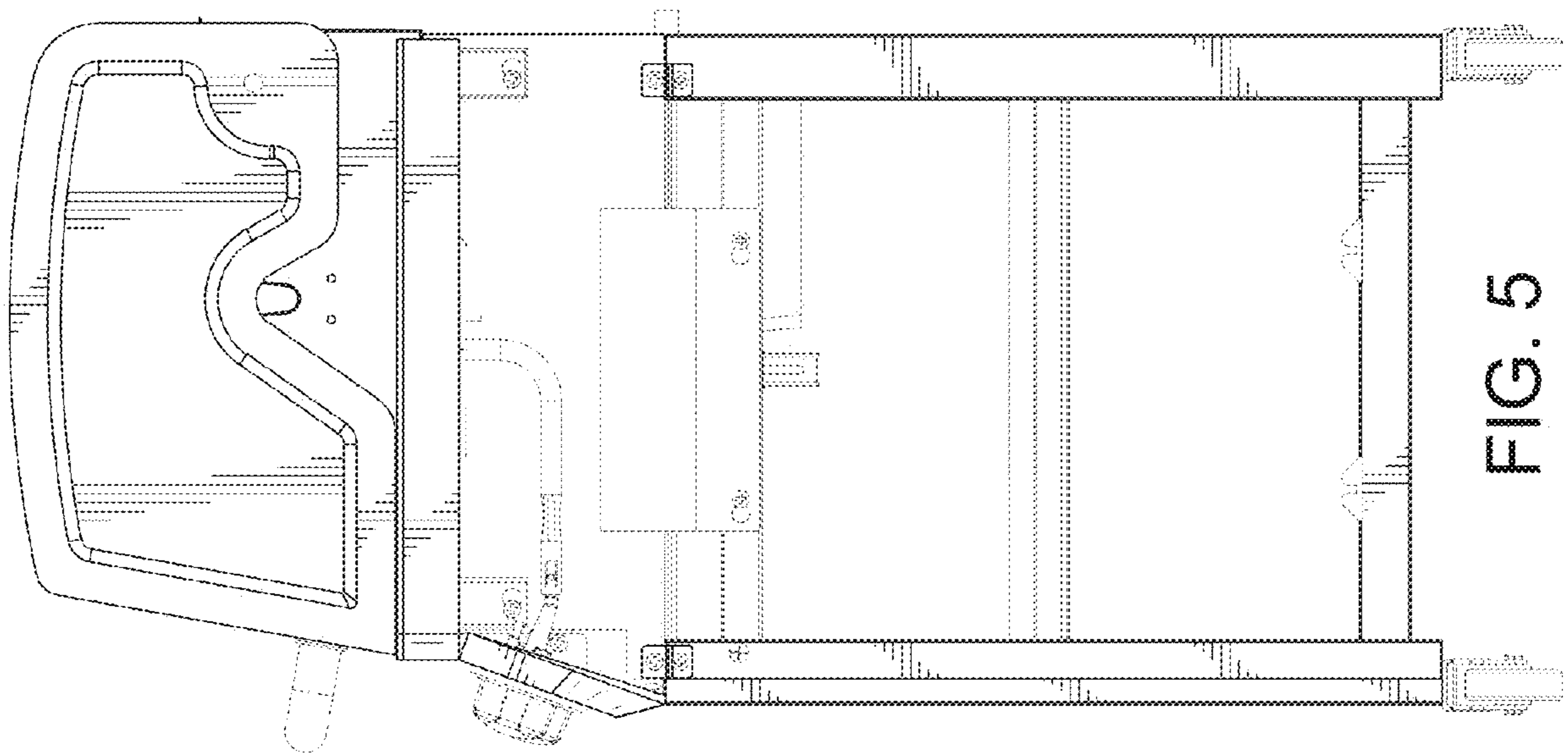


FIG. 5

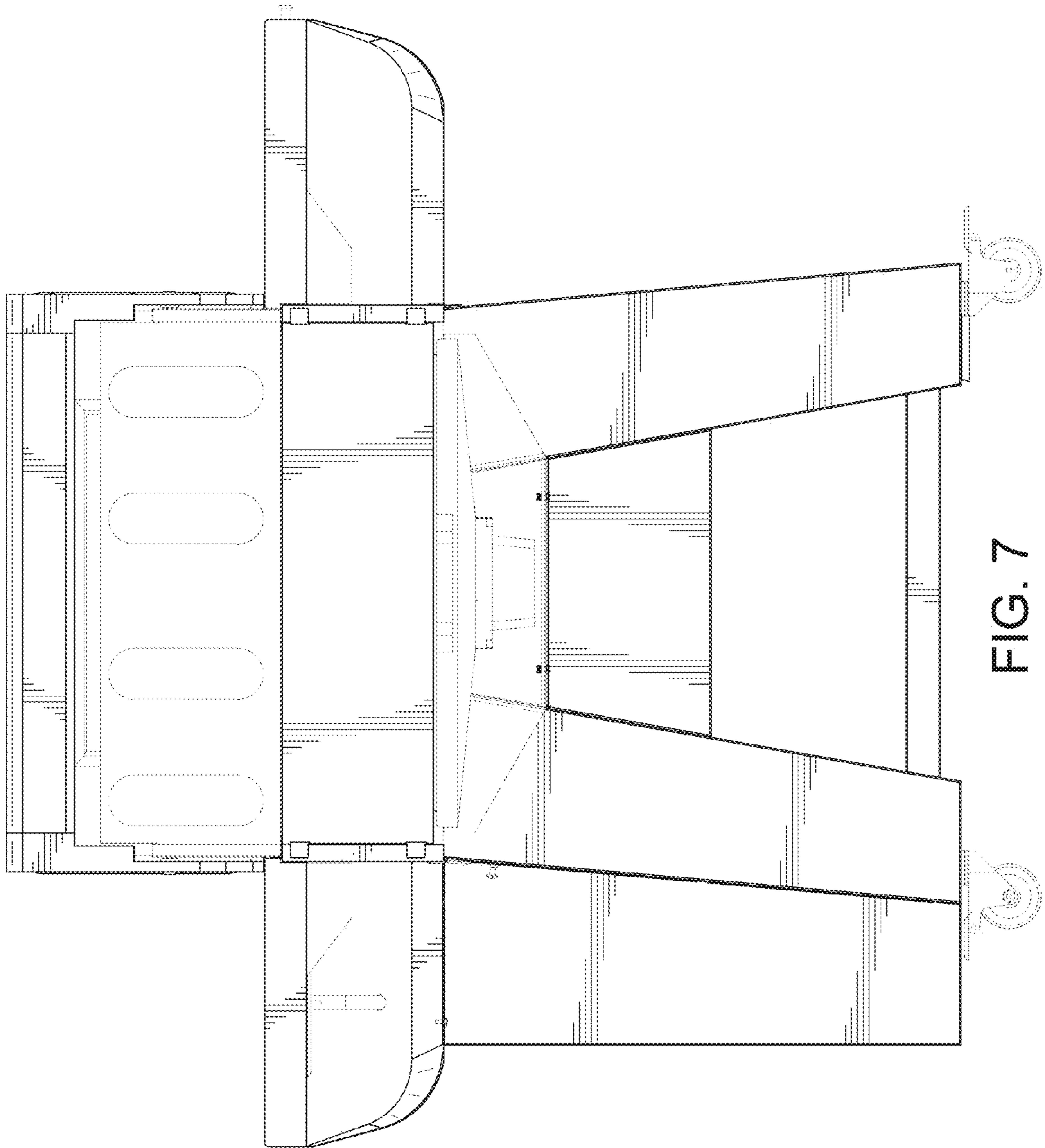


FIG. 7