



US00D923381S

(12) **United States Design Patent**
Bergsma

(10) **Patent No.:** **US D923,381 S**

(45) **Date of Patent:** **** Jun. 29, 2021**

(54) **EDGING FOR A WORK SURFACE**

(71) Applicant: **MiEN Company**, Grand Rapids, MI
(US)

(72) Inventor: **Remco Bergsma**, Grand Rapids, MI
(US)

(73) Assignee: **MiEN Company**, Grand Rapids, MI
(US)

(**) Term: **15 Years**

(21) Appl. No.: **29/702,651**

(22) Filed: **Aug. 21, 2019**

(51) **LOC (13) Cl.** **06-06**

(52) **U.S. Cl.**
USPC **D6/719; D6/691.5**

(58) **Field of Classification Search**
USPC D6/641, 656, 656.1, 656.16, 656.17, 675,
D6/685, 690, 691, 691.5, 691.8, 702, 719
CPC .. A47B 1/00; A47B 7/00; A47B 13/00; A47B
13/08; A47B 88/00; A47B 96/00; A47B
2200/00; A47B 2200/07
See application file for complete search history.

(56) **References Cited**

U.S. PATENT DOCUMENTS

D214,741 S *	7/1969	Dean	D6/691.8
D233,971 S *	12/1974	Hodges	D6/691.8
D268,884 S *	5/1983	Platner	D6/691.8
4,886,326 A *	12/1989	Kuzyk	A47B 47/0041 312/257.1
D328,677 S *	8/1992	White	D6/688.19
5,335,605 A *	8/1994	Drabczyk	A47B 13/08 108/153.1
D449,471 S *	10/2001	Petersen	D6/690
D549,492 S *	8/2007	Sheppard	D6/691.8
D611,734 S *	3/2010	Stukenberg	D6/691.8
8,001,910 B2 *	8/2011	Yee	A47B 13/08 108/157.15

8,176,858 B2 *	5/2012	Leng	A47B 3/06 108/193
D693,610 S *	11/2013	Denby	D6/690
D734,964 S *	7/2015	Ward	D6/656.1
D792,135 S *	7/2017	Wyman	D6/691.1
2020/0077784 A1 *	3/2020	Polidoros	A47B 3/08

(Continued)

OTHER PUBLICATIONS

“MiEN—SHARE [Sit Here Ane Really Engage] Community Table.”
Found online Dec. 15, 2020 at www.miencompany.com. Page dated
Dec. 23, 2019. Retrieved from URL: [https://miencompany.com/wp-
content/uploads/2020/01/SHARE-Cutsheet-1000.pdf](https://miencompany.com/wp-content/uploads/2020/01/SHARE-Cutsheet-1000.pdf) (Year: 2019).*

(Continued)

Primary Examiner — Mary Ann Calabrese

Assistant Examiner — Katelin G Kloberg

(74) *Attorney, Agent, or Firm* — Oppenhuizen Law PLC;
David L. Oppenhuizen

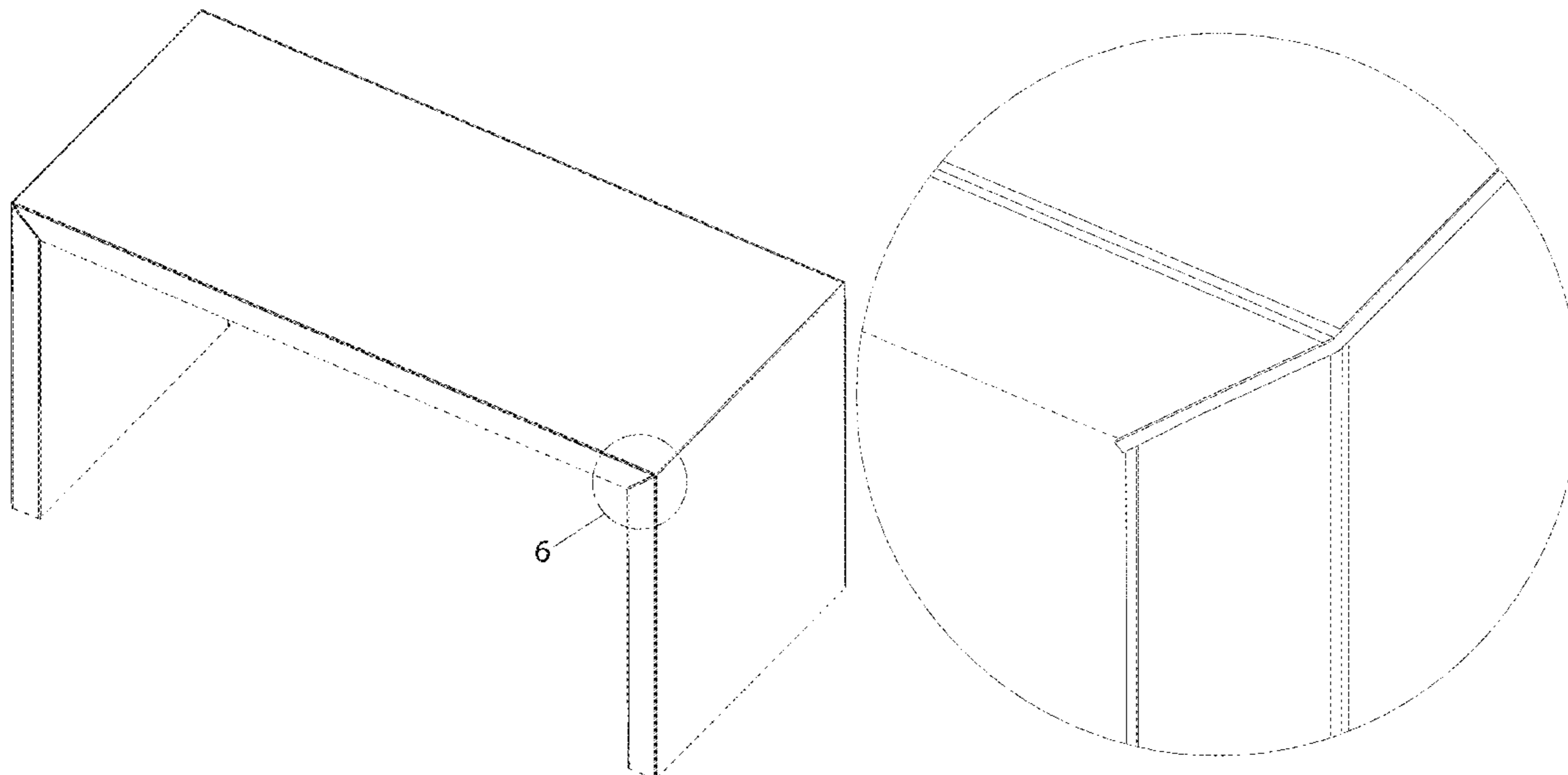
(57) **CLAIM**

The ornamental design for an edging for a work surface, as
shown and described.

DESCRIPTION

FIG. 1 is a front perspective view of an edging for a work
surface showing the new design;
FIG. 2 is a front view, the rear view being a mirror image
thereof;
FIG. 3 is a left side view, the right side view being a mirror
image thereof;
FIG. 4 is a top view;
FIG. 5 is a bottom view; and,
FIG. 6 is an enlarged view of the encircled portion of FIG.
1.
The broken lines represent environmental subject matter that
forms no part of the claimed design.

1 Claim, 6 Drawing Sheets



(56)

References Cited

U.S. PATENT DOCUMENTS

2020/0077789 A1* 3/2020 Polidoros A47B 31/04

OTHER PUBLICATIONS

“Contemporary Wooden Bar Table.” Found online Dec. 15, 2020 at www.houzz.com. Product reviewed Sep. 29, 2017. Retrieved from URL: <https://www.houzz.com/products/contemporary-wooden-bar-table-gray-prvw-vr~54710366> (Year: 2017).*

“Walnut Butcher Block Waterfall Style Kitchen Island.” Found online Dec. 15, 2020 at www.etsy.com. Product reviewed Feb. 6, 2020. Retrieved from URL: <https://www.etsy.com/listing/621368961/walnut-butcher-block-waterfall-style?ref=reviews> (Year: 2020).*

“Amazon Brand—Rivet Modern Coffee Table.” Found online Dec. 15, 2020 at www.amazon.com. Product first available Oct. 22, 2019. Retrieved from URL: <https://www.amazon.com/Rivet-Modern-Coffee-Veneer-Natural/dp/B07QC876Z6> (Year: 2019).*

* cited by examiner

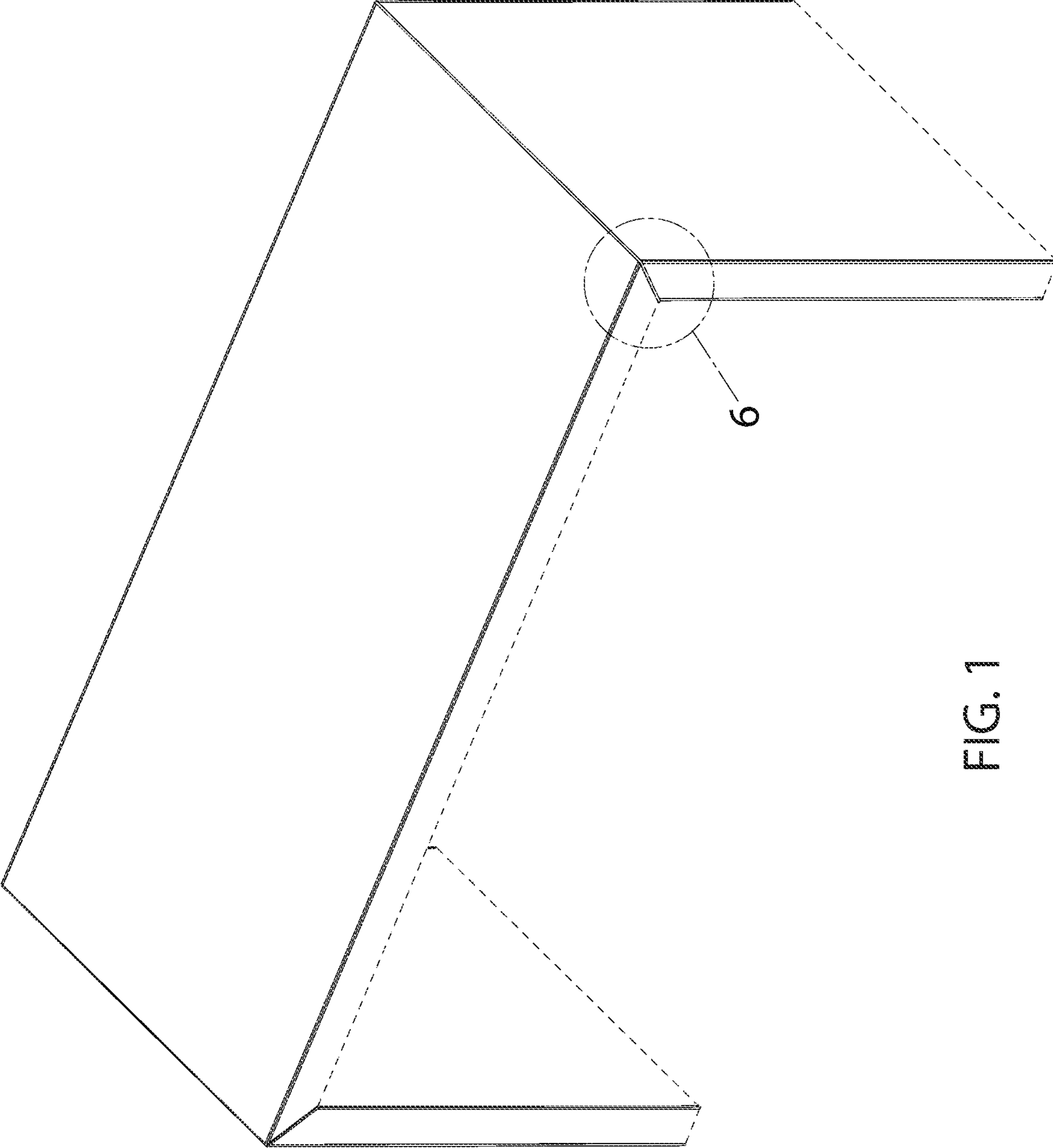


FIG. 1

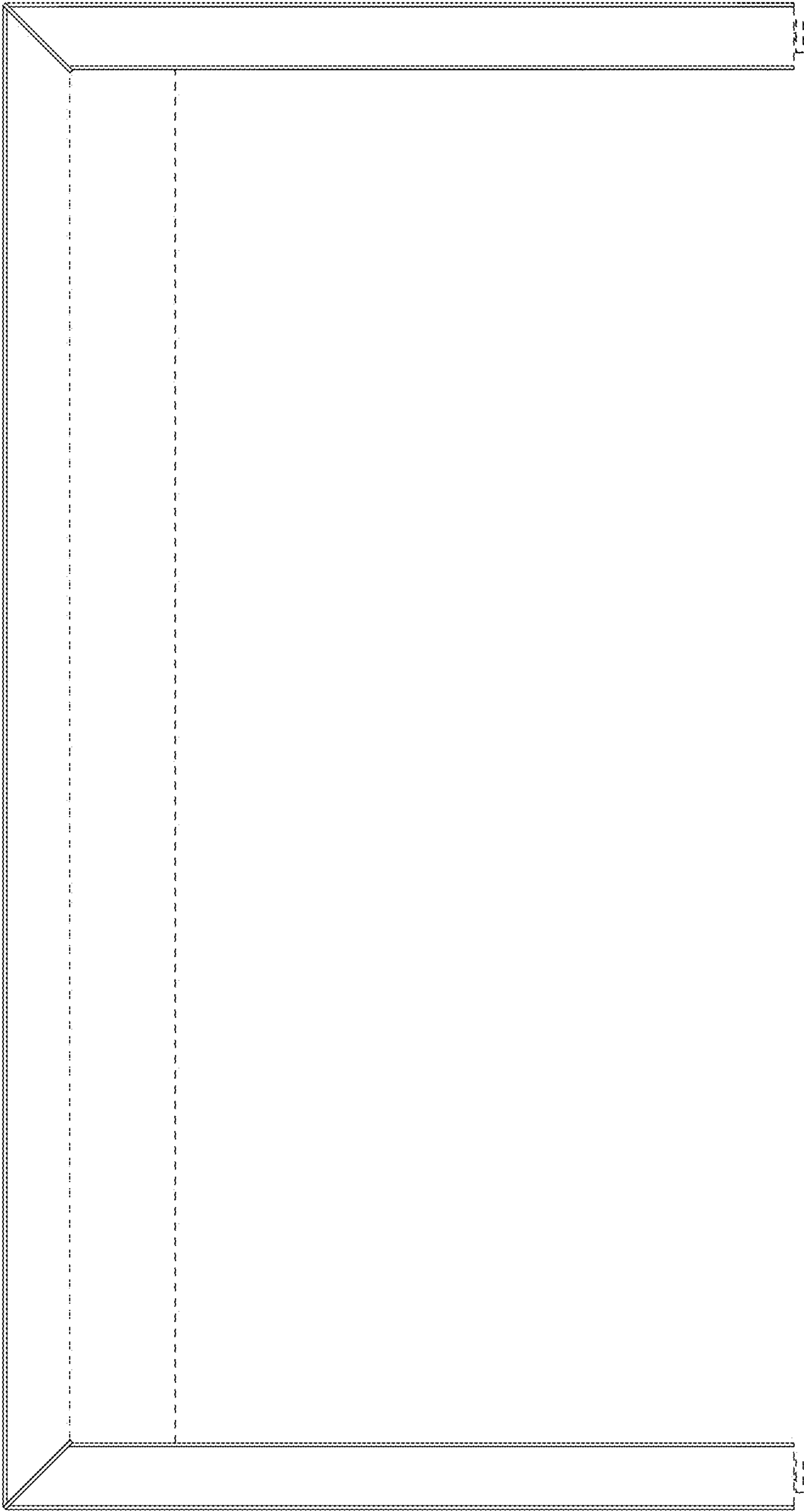


FIG. 2

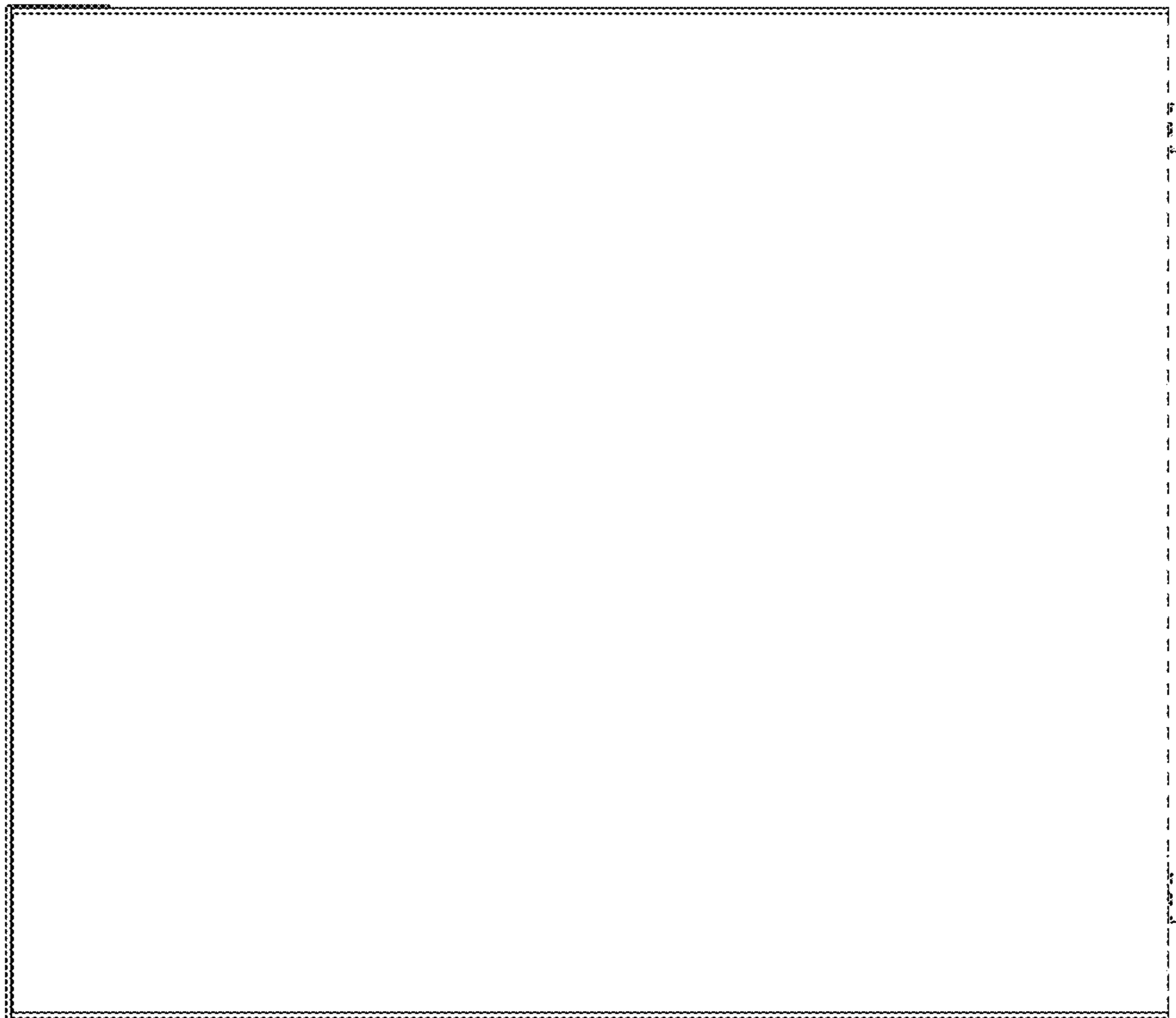


FIG. 3

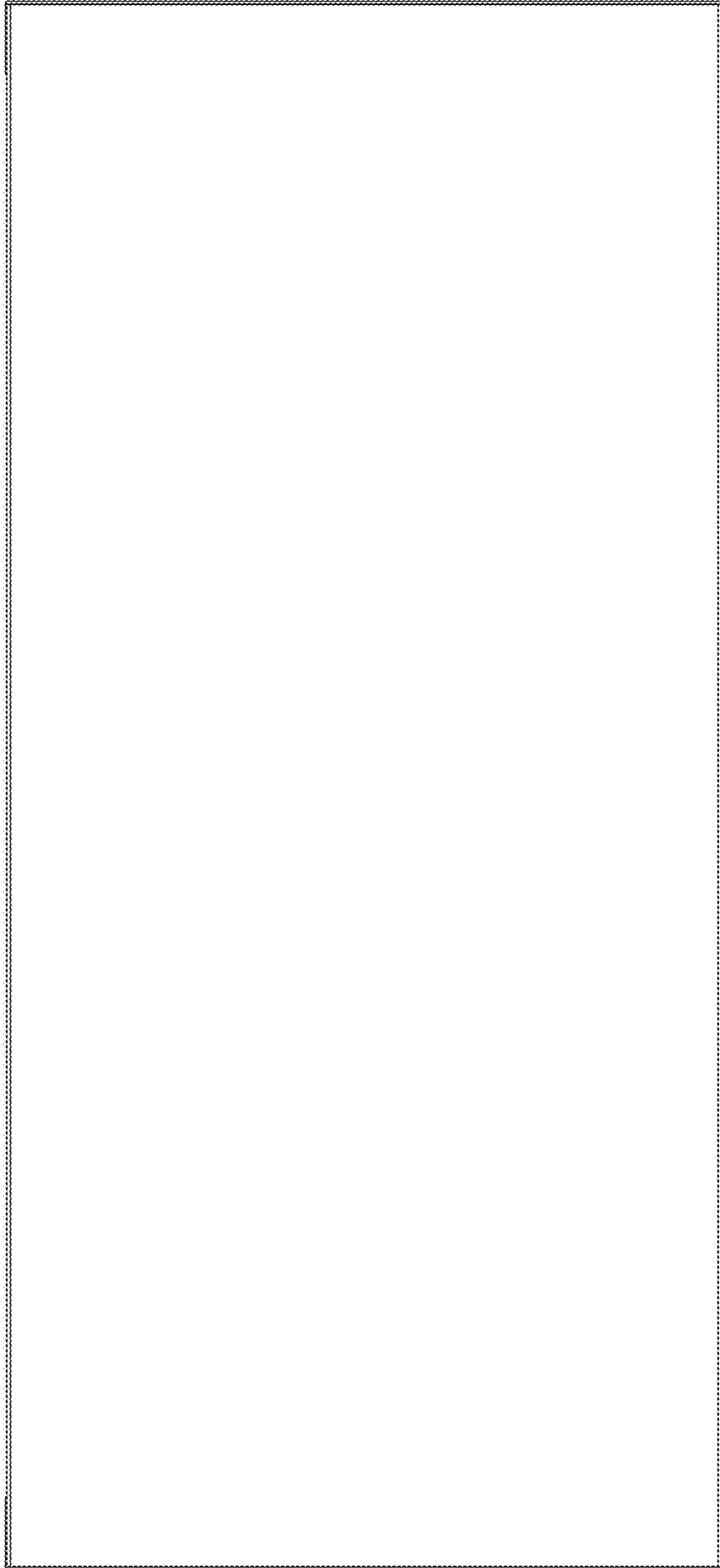


FIG. 4

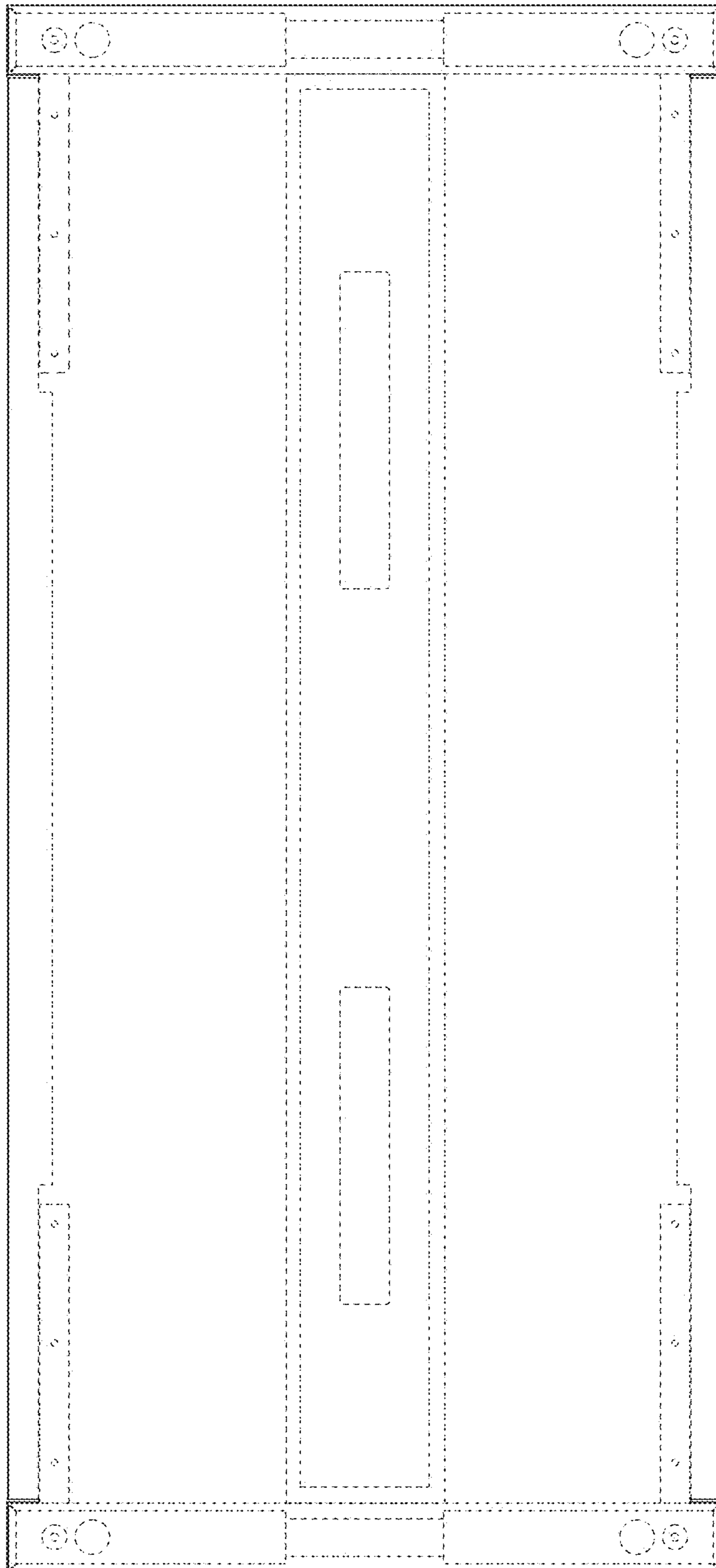


FIG. 5

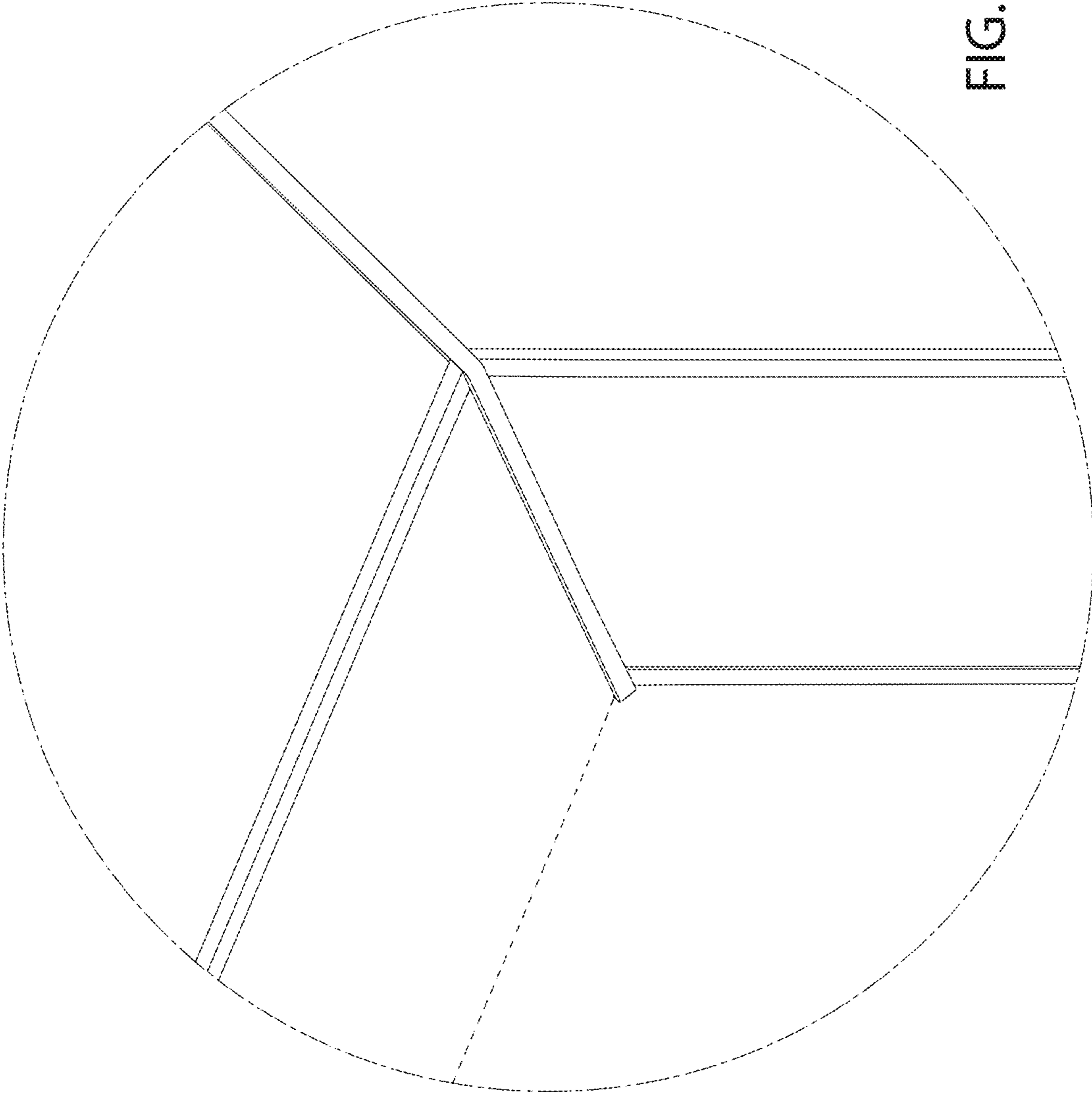


FIG. 6