



US00D923379S

(12) **United States Design Patent**  
**Gfesser et al.**

(10) **Patent No.:** **US D923,379 S**  
(45) **Date of Patent:** **\*\* Jun. 29, 2021**

(54) **BAR STOOL BASE HAVING WOOD LEGS**

(71) Applicant: **Trendler, Inc.**, Chicago, IL (US)

(72) Inventors: **Martin F. Gfesser**, Glen Ellyn, IL (US); **Stefan A. Gfesser**, Schaumburg, IL (US)

(73) Assignee: **Trendler, Inc.**, Chicago, IL (US)

(\*\*) Term: **15 Years**

(21) Appl. No.: **29/745,681**

(22) Filed: **Aug. 7, 2020**

**Related U.S. Application Data**

(63) Continuation of application No. 29/645,643, filed on Apr. 27, 2018, now Pat. No. Des. 893,903.

(51) **LOC (13) Cl.** ..... **06-01**

(52) **U.S. Cl.**  
USPC ..... **D6/708**

(58) **Field of Classification Search**

USPC ..... D6/334, 341, 349, 350, 352, 353, 360, D6/364, 369, 370, 373, 374, 375, 380,  
(Continued)

(56) **References Cited**

**U.S. PATENT DOCUMENTS**

72,635 A \* 12/1867 Heywood ..... A47C 7/004  
248/188.7

275,384 A 4/1883 Howe  
(Continued)

**OTHER PUBLICATIONS**

“Tulip Bar Stool Base” Apr. 14, 2019, seatsandstools.com, site visited Sep. 21, 2020 <<https://www.seatsandstools.com/replacements/chair-and-bar-stool-frames/tulip-bar-stool-base/#product-reviews>> (Year: 2019).\*

(Continued)

*Primary Examiner* — Kevin K Rudzinski

*Assistant Examiner* — Paul D Bohannon

(74) *Attorney, Agent, or Firm* — Erickson Law Group, PC

(57) **CLAIM**

The ornamental design for a bar stool base having wood legs, as shown and described.

**DESCRIPTION**

FIG. 1 is a perspective view of a bar stool base having wood legs of the invention, where the wood legs extend below top caps.

FIG. 2 is a front side view of the bar stool base of FIG. 1.

FIG. 3 is a back side view of the bar stool base of FIG. 1.

FIG. 4 is a left side view of the bar stool base of FIG. 1.

FIG. 5 is a right side view of the bar stool base of FIG. 1.

FIG. 6 is a top view of the bar stool base of FIG. 1.

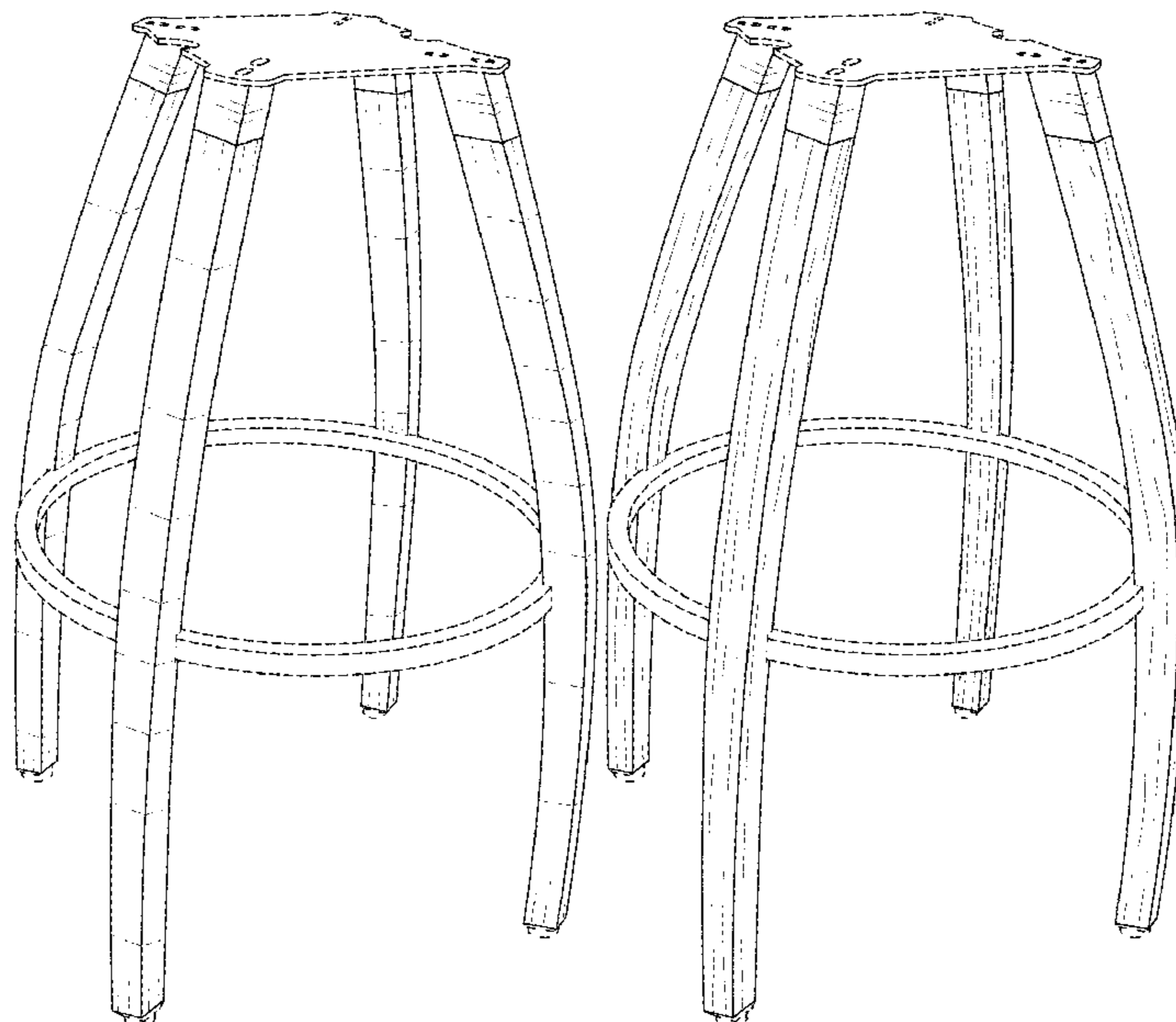
FIG. 7 is a bottom view of the bar stool base of FIG. 1.

FIG. 8 is a perspective view of a second embodiment bar stool base having wood legs, where wood line shading of the legs is shown to identify the wood legs extending below the top caps. The front, back, left, right, top, and bottom views of the second embodiment are identical to those shown in FIGS. 2 through 7 except with the wood appearance of the legs shown with wood line shading as shown in FIG. 8 applied; and,

FIG. 9 is a right side view of the bar stool base of FIG. 1, a seat shown in broken lines, and a human person shown sitting on the seat.

The broken lines of the bar stool base of FIGS. 1 through 9 are for the purpose of illustrating unclaimed portions of the bar stool base and form no part of the claimed design. The portions of the human person and the seat in FIG. 9 are not part of the claimed design.

**1 Claim, 8 Drawing Sheets**



(58) **Field of Classification Search**

USPC ... D6/677, 692, 700, 708, 708.16, 716, 351,  
D6/379, 597

CPC ..... A47C 3/34; A47C 7/506; A47C 9/007;  
A47C 13/023; A47C 4/028; A47C 4/02;  
A47C 7/004; A47D 1/00

See application file for complete search history.

(56) **References Cited**

U.S. PATENT DOCUMENTS

300,921 A 6/1884 Walter  
1,678,006 A \* 7/1928 Headley ..... A47C 1/026  
297/363  
2,531,259 A \* 11/1950 Cudini ..... A47C 4/18  
108/133  
2,774,643 A \* 12/1956 Gladsden ..... A47B 3/0912  
108/131  
D232,880 S \* 9/1974 Samhammer ..... D6/352  
D294,434 S \* 3/1988 Zakharov ..... D6/360  
D313,514 S \* 1/1991 Zakharov ..... D6/360  
D410,355 S \* 6/1999 Quinn ..... D6/351  
D427,812 S 7/2000 Donnelly  
D447,365 S 9/2001 Chi  
D451,711 S 12/2001 O'Hare  
D467,742 S \* 12/2002 de Blois ..... D6/349  
D468,919 S \* 1/2003 Juneau ..... D6/360  
D481,213 S \* 10/2003 Chalmers ..... D6/360  
D481,214 S \* 10/2003 Chalmers ..... D6/360  
D482,539 S \* 11/2003 Darafeev ..... D6/360  
6,749,265 B1 6/2004 Wang  
D498,937 S \* 11/2004 Messier ..... D6/369  
D502,611 S \* 3/2005 Williams ..... D6/360  
D528,312 S \* 9/2006 Tseng ..... D6/360  
D528,313 S \* 9/2006 Chen ..... D6/360  
D530,944 S 10/2006 Samuel  
D535,828 S \* 1/2007 Gasca Burges ..... D6/349  
D577,215 S \* 9/2008 Kreiss ..... D6/374  
D579,676 S 11/2008 Rheault  
D579,677 S \* 11/2008 Zhou ..... D6/349

D581,686 S \* 12/2008 Miller ..... D6/360  
D647,335 S \* 10/2011 Delmestri ..... D6/716.3  
D651,007 S \* 12/2011 Ciani ..... D6/360  
D713,157 S 9/2014 Carrier  
D719,749 S 12/2014 Hernandez  
9,254,041 B2 2/2016 Kessler  
D778,654 S 2/2017 Gfesser  
D800,465 S \* 10/2017 Ono ..... D6/360  
D800,466 S \* 10/2017 Ono ..... D6/360  
D820,611 S \* 6/2018 Ono ..... D6/352  
D836,352 S \* 12/2018 Gelman ..... D6/349  
D889,861 S \* 7/2020 Vega ..... D6/352  
D891,796 S \* 8/2020 Li ..... D6/349  
D891,797 S \* 8/2020 Li ..... D6/352  
D893,903 S \* 8/2020 Gfesser ..... D6/360  
D893,904 S \* 8/2020 Gfesser ..... D6/360  
D894,624 S \* 9/2020 Gfesser ..... D6/360  
2008/0001462 A1 1/2008 Holland  
2011/0316313 A1 12/2011 Gasser  
2016/0281908 A1 \* 9/2016 Mackenzie ..... F16M 11/08  
2016/0374879 A1 \* 12/2016 Christian ..... A61G 5/125  
297/313  
2017/0071348 A1 \* 3/2017 Haimoff ..... A47C 7/027  
2017/0114813 A1 \* 4/2017 Brown ..... A47C 3/00  
2017/0231391 A1 \* 8/2017 Desanta ..... A47C 1/03294  
297/297  
2017/0258244 A1 \* 9/2017 Waldman ..... A47D 1/02  
2018/0311888 A1 \* 11/2018 Winter ..... B21D 17/04

OTHER PUBLICATIONS

“Bar Stools: 5 Ways To Hang Out With Them” Oct. 28, 2016, grandinroad.com, site visited Sep. 22, 2020 <<https://www.grandinroad.com/blog/decorate/bar-stools-5-ways-to-hang-out-with-them/>> (Year: 2016).\*

IDS Exhibit 1: a photo of admitted prior art bar stool having completely metal legs.

IDS Exhibit 2: a photo of admitted prior art counter stool having completely metal legs.

\* cited by examiner

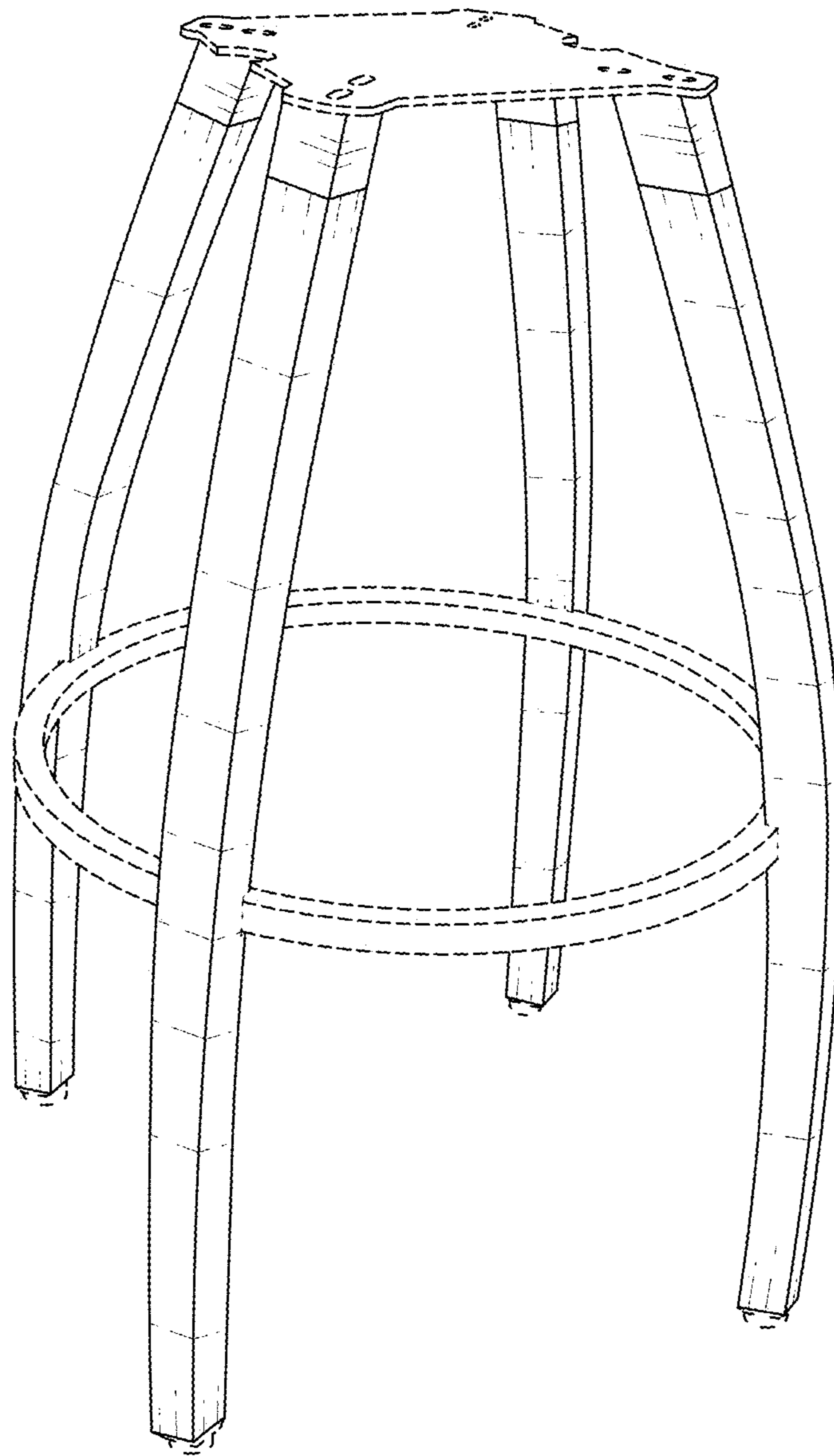


FIG. 1

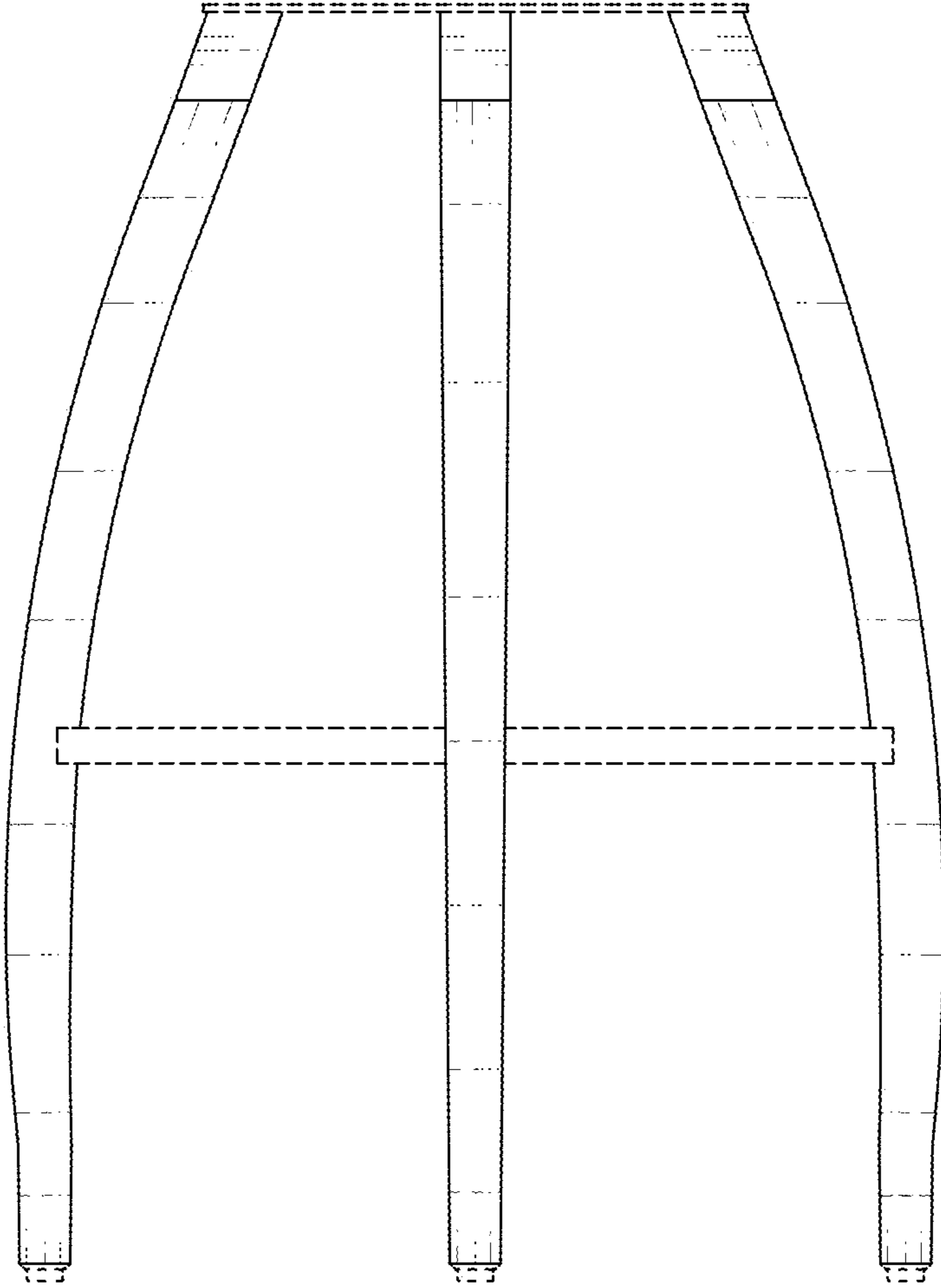


FIG. 2



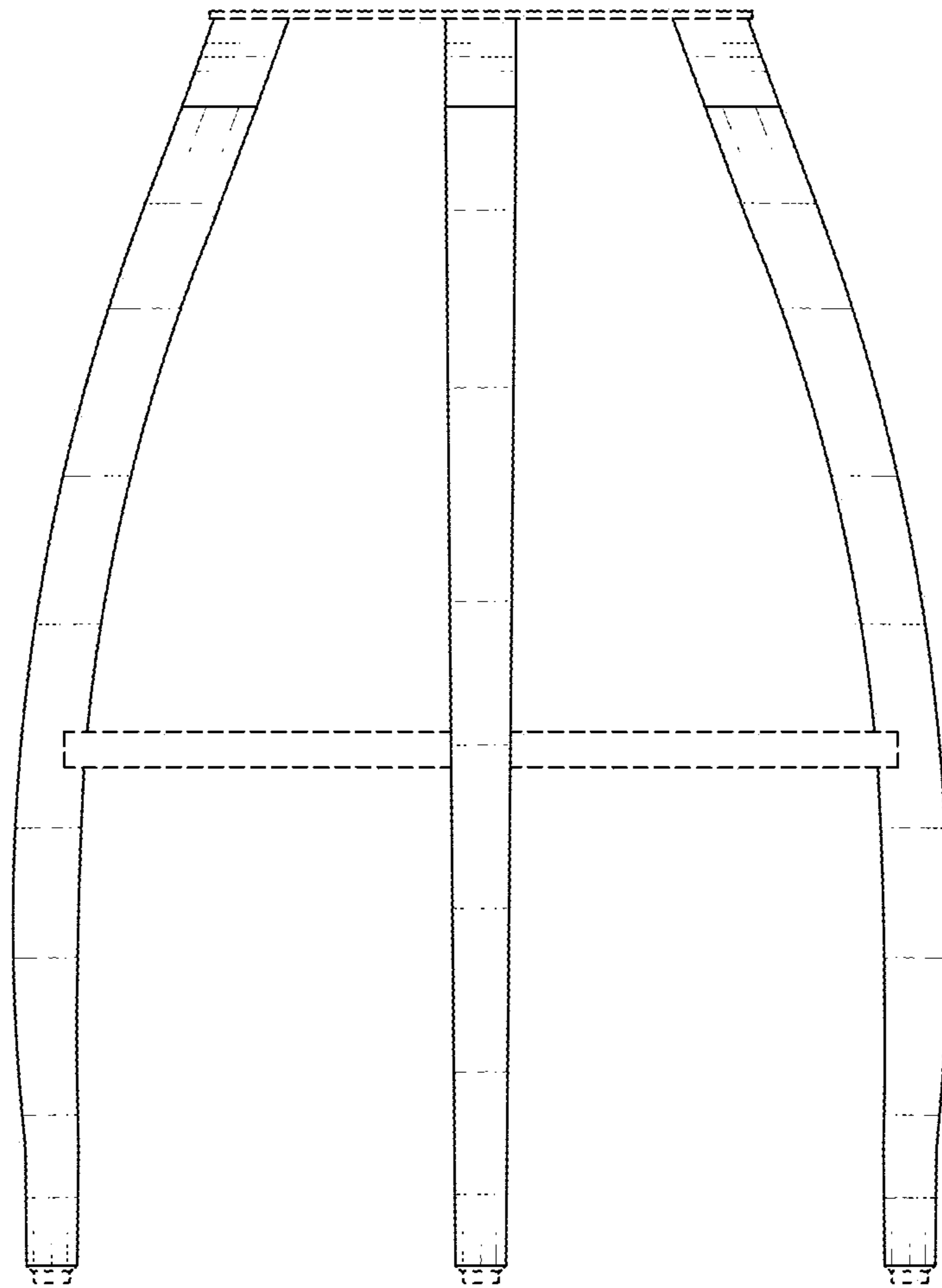


FIG. 3

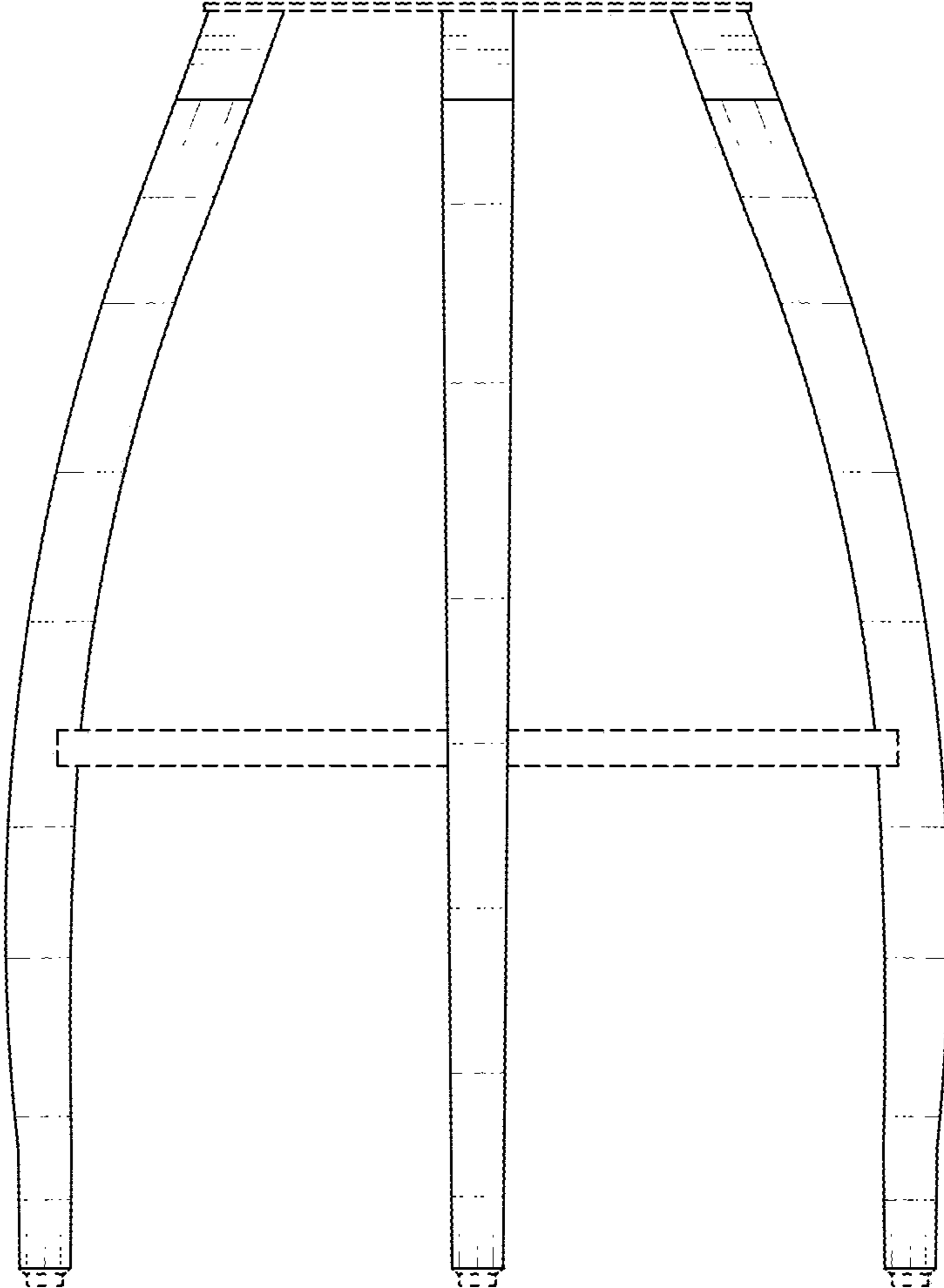


FIG. 4

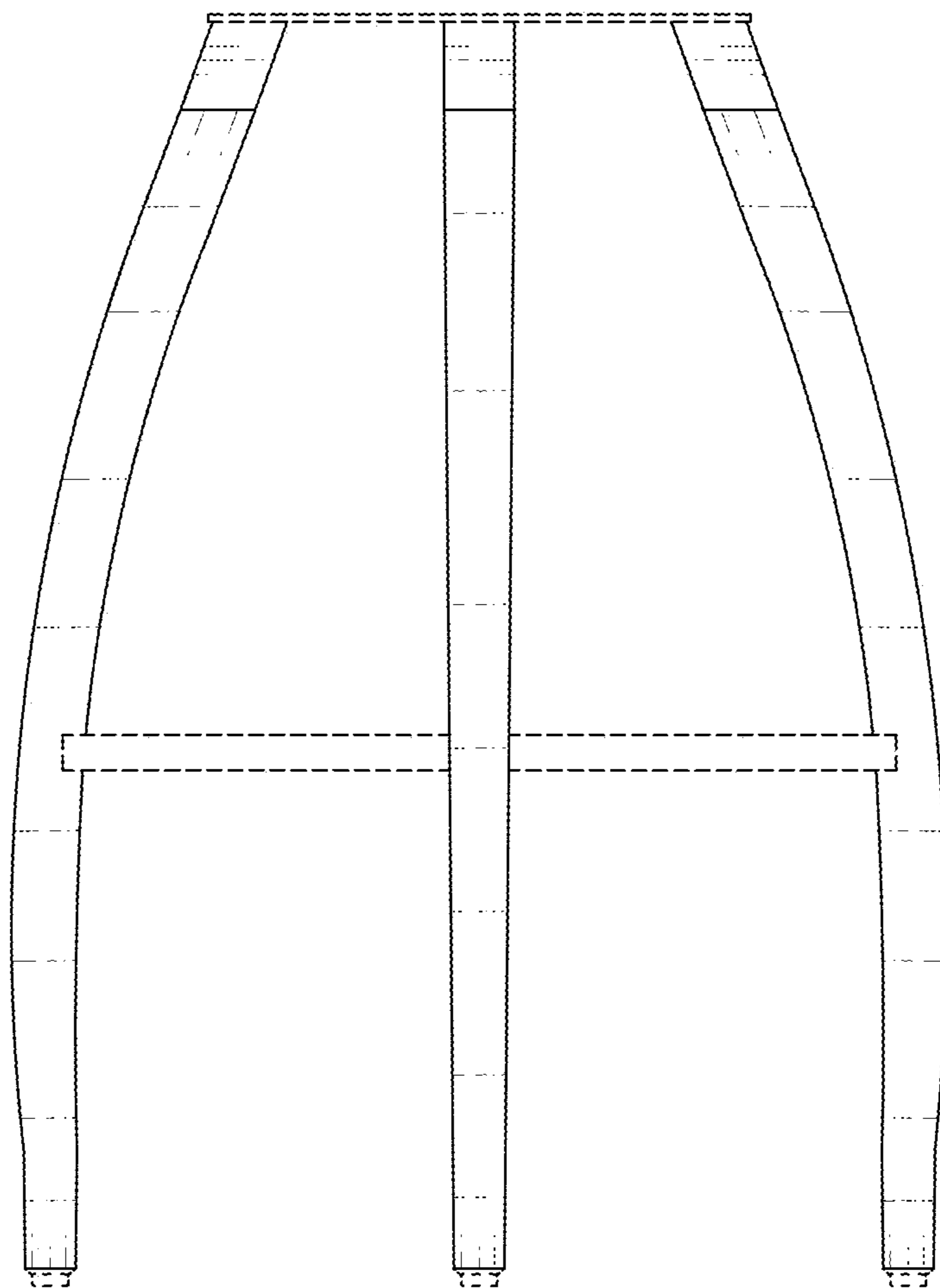


FIG. 5

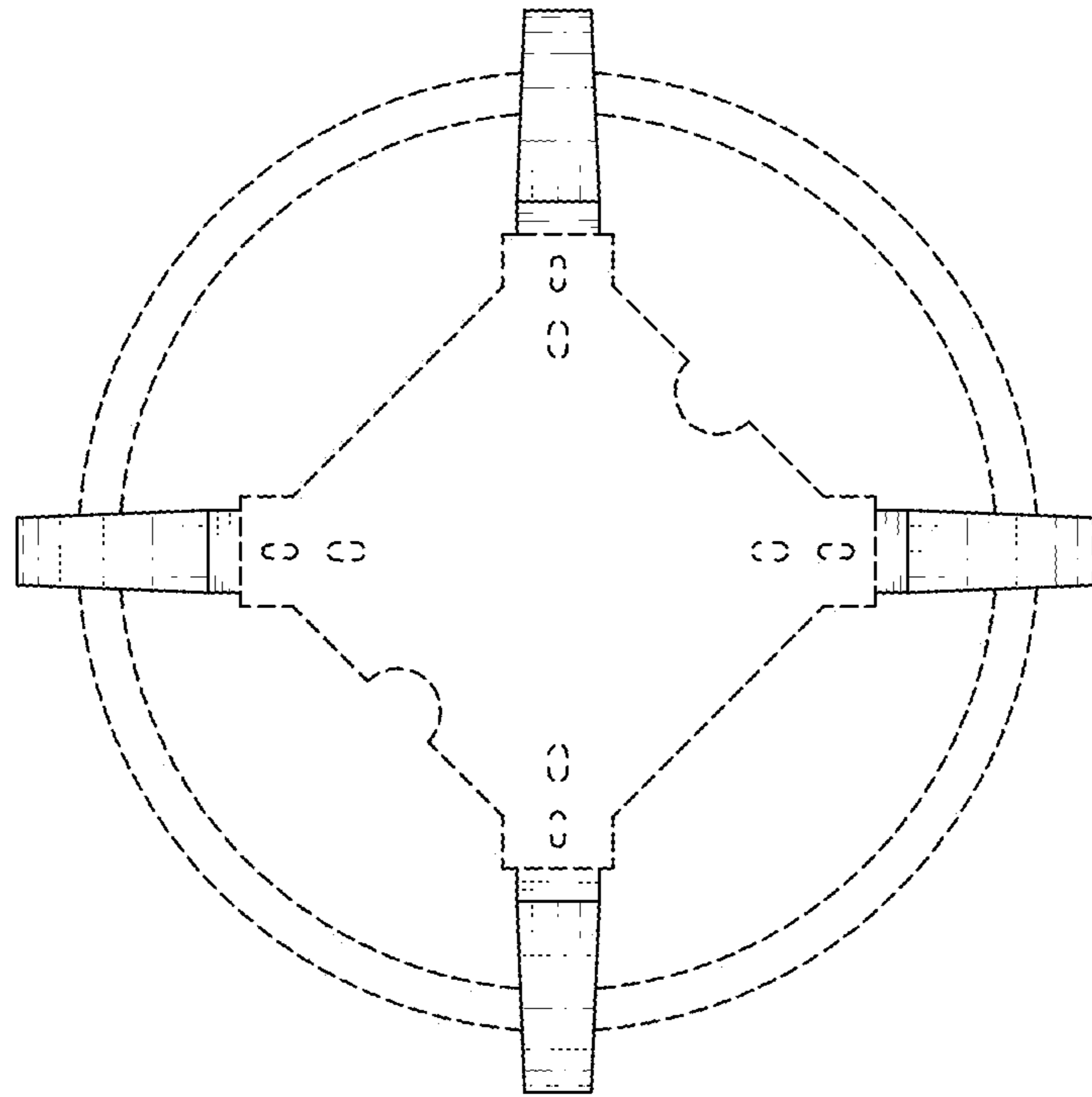


FIG. 6

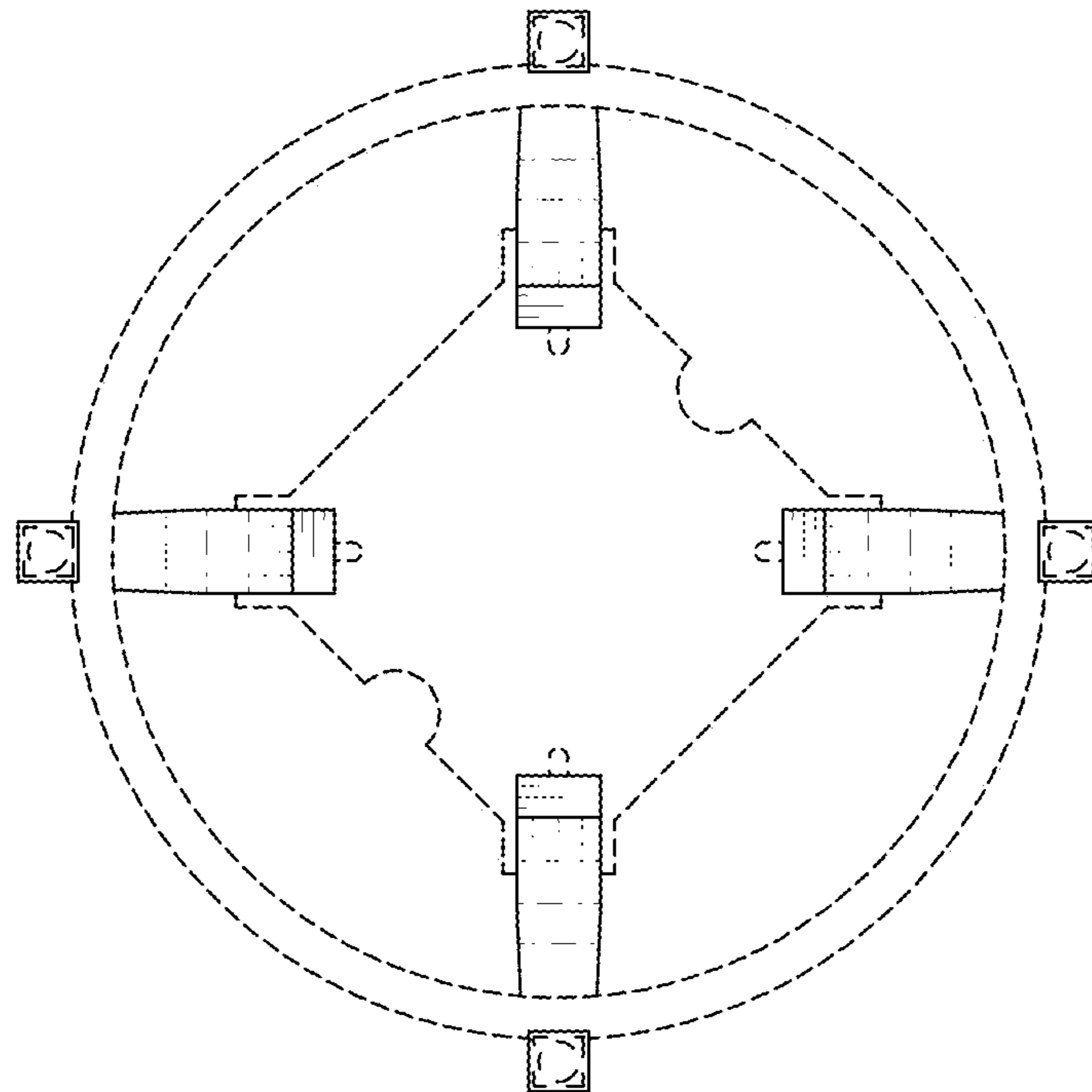


FIG. 7



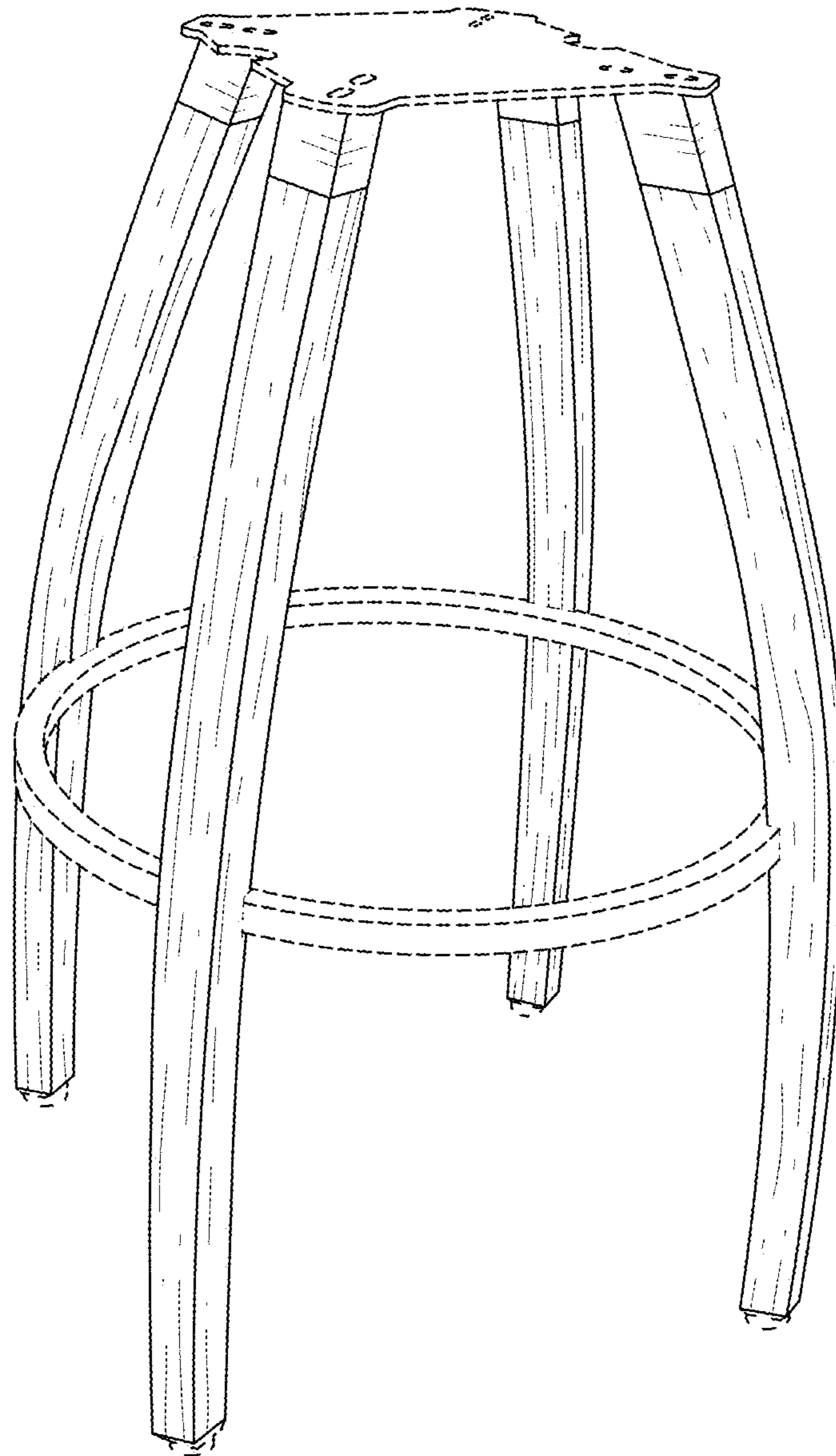


FIG. 8

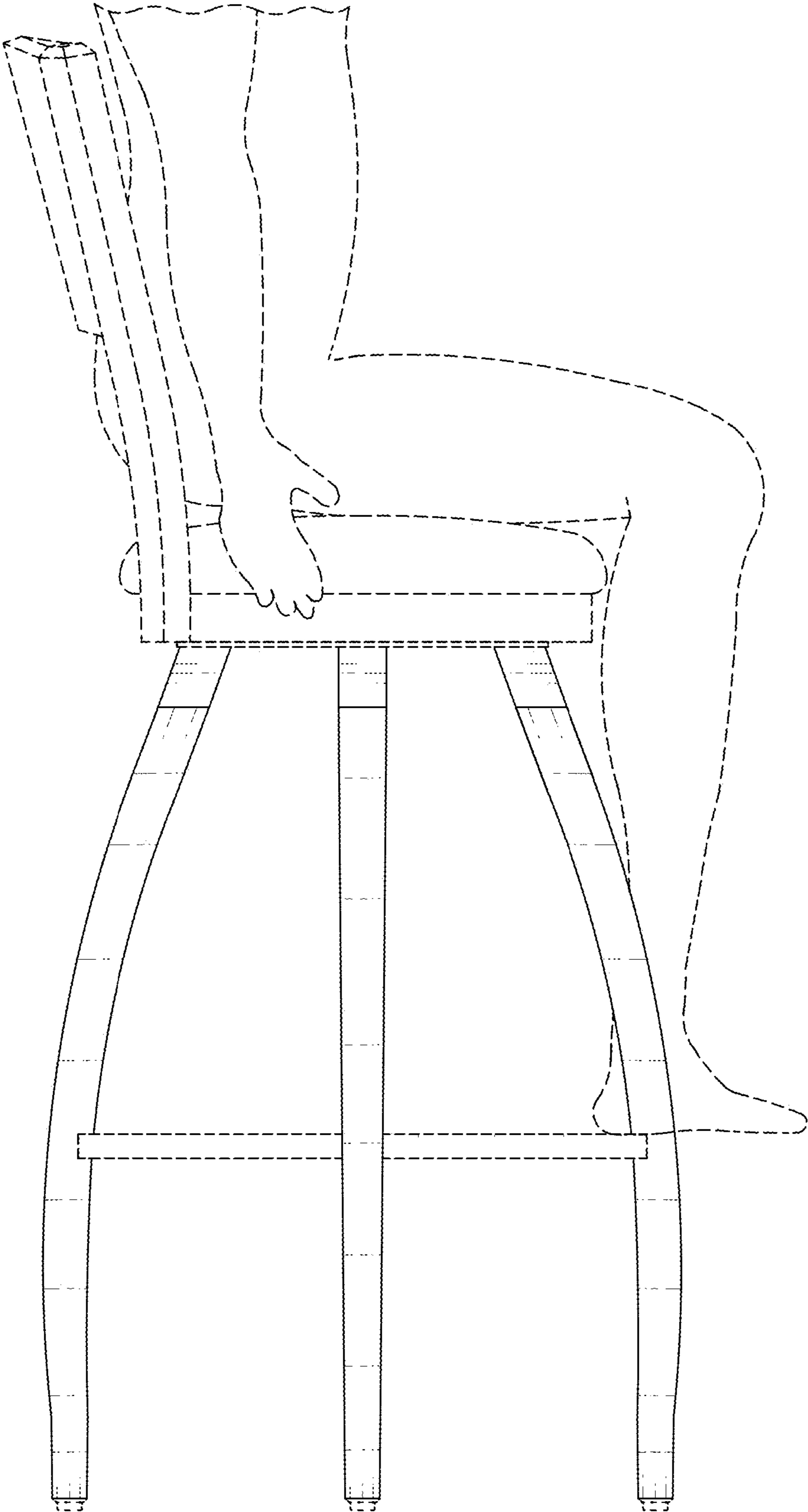


FIG. 9