



US00D923377S

(12) **United States Design Patent** (10) **Patent No.:** **US D923,377 S**  
**Mohan et al.** (45) **Date of Patent:** **\*\* Jun. 29, 2021**

(54) **PACK STATION**  
(71) Applicant: **Target Brands, Inc.**, Minneapolis, MN (US)  
(72) Inventors: **Nilesh Mohan**, Medina, MN (US); **Brian Edgerton**, Minneapolis, MN (US); **Marvin W. Cunningham**, Minneapolis, MN (US); **Lucas Lorenz**, Minneapolis, MN (US)  
(73) Assignee: **Target Brands, Inc.**, Minneapolis, MN (US)

D215,931 S 11/1969 Sandefur  
3,579,962 A 5/1971 Mitten  
3,648,433 A 3/1972 Owen  
3,920,299 A 11/1975 Propst et al.  
4,272,136 A 6/1981 Sengua  
4,551,962 A 11/1985 Kawakara  
D372,817 S 8/1996 Stevens  
5,881,500 A 3/1999 Latino et al.  
D415,365 S 10/1999 Nicklas  
D437,708 S 2/2001 Bargmann et al.  
6,267,064 B1 7/2001 Ostertag et al.  
6,311,627 B1 11/2001 Draper et al.  
D466,717 S 12/2002 Cho  
6,938,397 B2 9/2005 Miller

(Continued)

(\*\*) Term: **15 Years**

**OTHER PUBLICATIONS**

(21) Appl. No.: **29/659,934**

Kinetix® Pack Station—Packing Brands <https://www.packagingbrands.eu.com/kinetix-pack-station> retrieved from the internet on Jan. 31, 2021.\*

(22) Filed: **Aug. 14, 2018**

(51) **LOC (13) Cl.** ..... **06-04**

(52) **U.S. Cl.**

USPC ..... **D6/698**

(58) **Field of Classification Search**

USPC ..... D6/657, 672, 673, 675, 675.1, 684–686, D6/691, 691.1, 691.9, 698, 699, 699.1, D6/699.2

CPC ..... A47B 43/00; A47B 55/00; A47B 83/00; A47B 83/02; A47B 83/04; A47F 9/00; A47F 9/02; A47F 9/04; A47F 10/00; B65B 7/00; B65B 67/02; B65B 67/04; B65B 67/08; B65B 67/10

See application file for complete search history.

(Continued)

*Primary Examiner* — Mary Ann Calabrese

(74) *Attorney, Agent, or Firm* — Leanne Taveggia Farrell; Westman, Champlin & Koehler, P.A.

(57) **CLAIM**

The ornamental design for a pack station, as shown and described.

**DESCRIPTION**

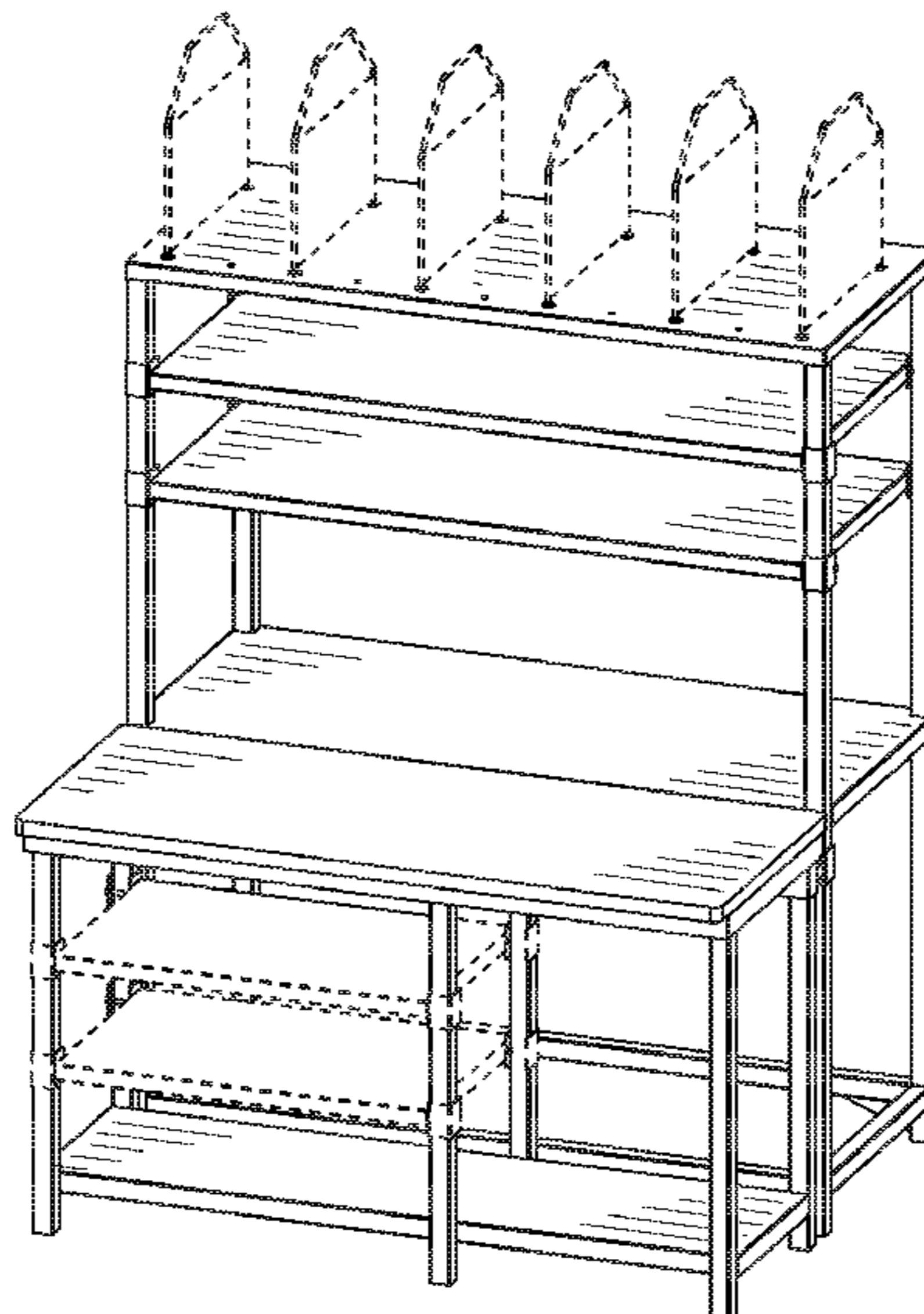
FIG. 1 is a perspective view of a pack station showing our new design;  
FIG. 2 is a front view thereof;  
FIG. 3 is a rights side view thereof, the left side view being a mirror image; and,  
FIG. 4 is a top view thereof.  
The broken lines shown in the drawings are included for purposes of illustrating portions of the pack station and form no part of the claimed design.

(56) **References Cited**

**U.S. PATENT DOCUMENTS**

D141,386 S \* 5/1945 Rosenfeld ..... D6/691.9  
2,535,646 A \* 12/1950 Hyman ..... A47B 83/045  
108/63  
2,921,424 A 1/1960 Wertheimer  
2,943,897 A 7/1960 Johnson et al.  
3,019,584 A 2/1962 Arvidson

**1 Claim, 4 Drawing Sheets**



(56)

References Cited

OTHER PUBLICATIONS

U.S. PATENT DOCUMENTS

6,990,909	B2	1/2006	Gosling et al.	
D519,299	S *	4/2006	Boudreau .....	D6/657
7,147,115	B2	12/2006	Perkins et al.	
7,249,700	B1	7/2007	Watson et al.	
7,543,704	B2	6/2009	Miller	
7,634,967	B1	12/2009	Albright et al.	
7,712,847	B1	5/2010	Albright et al.	
7,987,758	B2	8/2011	Chabansky	
8,402,900	B2	3/2013	Burak et al.	
D706,064	S	6/2014	Ota et al.	
D717,081	S *	11/2014	Dworman .....	D6/657
9,125,486	B2	9/2015	Rheault et al.	
9,532,647	B2	1/2017	Bedard et al.	
D898,492	S *	10/2020	Edgerton .....	A47B 13/02 D6/684
2014/0331901	A1 *	11/2014	Seefeldt .....	A47B 13/02 108/50.02
2015/0352802	A1 *	12/2015	Lawson .....	B65B 67/02 493/10

PBS911 Pack Satation Equipment—Colony packaging <https://www.colonypackaging.com/pack-station-equipment-details> retrieved from the internet on Jan. 31, 2021.\*

Precision Warehouse Design LLC, “1000Bulbs.com Packing Area”, at least as early as Oct. 9, 2013, <http://precisionwarehousedesign.com/pwdblog/?p=53>, 1 page.

Britto, Brittany, Baltimore Sun, “Workers’ Cyber Monday mantra: Pick, pack and ship”, at least as early as Mar. 14, 2018, [http://digitaledition.baltimoresun.com/tribune/article\\_popover.aspx?guid=b0d1c6c3-fc25-45e9-aa02-caa1ba29fff0](http://digitaledition.baltimoresun.com/tribune/article_popover.aspx?guid=b0d1c6c3-fc25-45e9-aa02-caa1ba29fff0), 1 page.

Formaspace, “Pharmaceutical Packing & Automation Station”, at least as early as Mar. 14, 2018, <https://formaspace.com/workbench-gallery/#!/category/workbench-applications/material-handling?product=9882>, 1 page.

\* cited by examiner

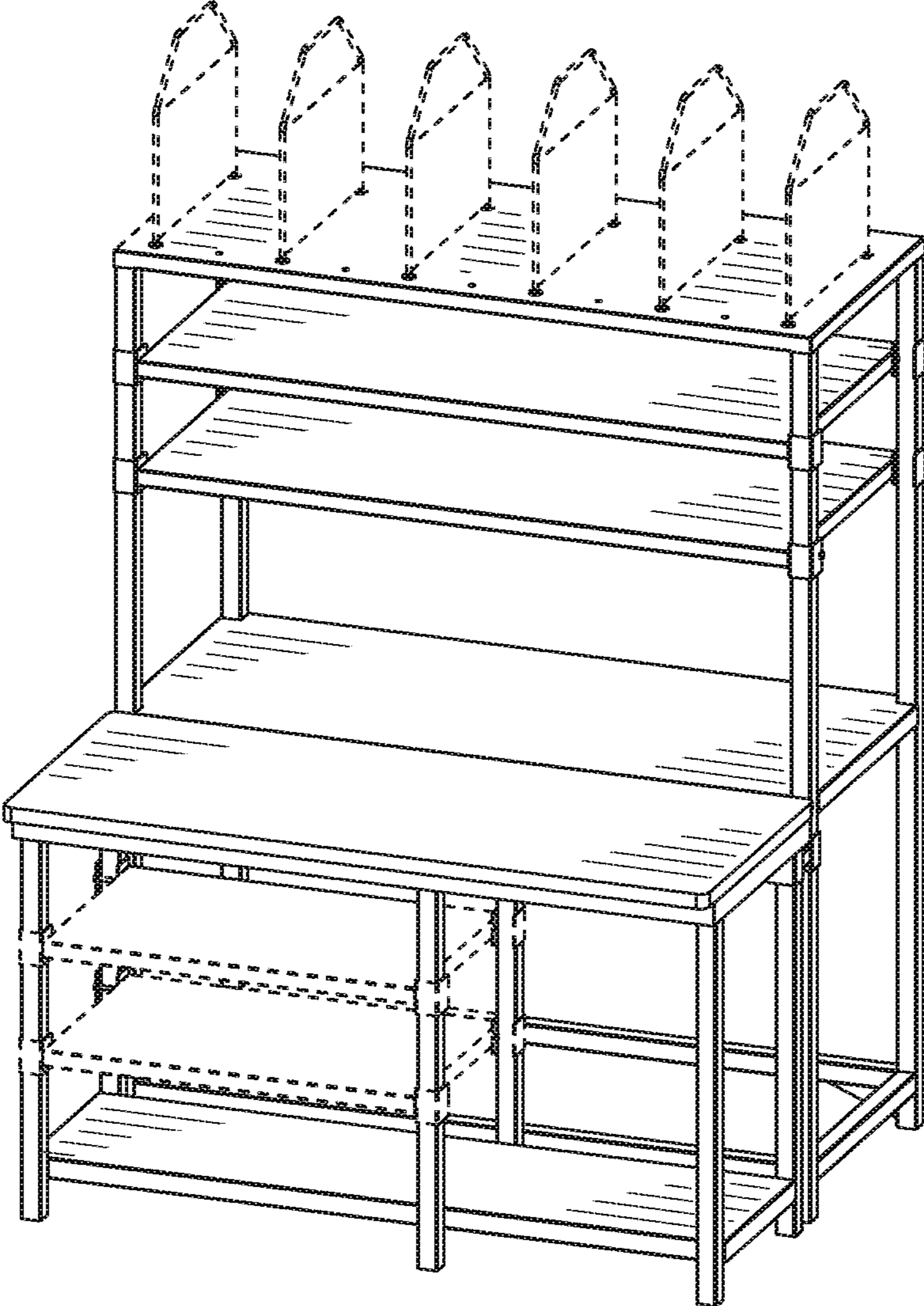


FIG. 1

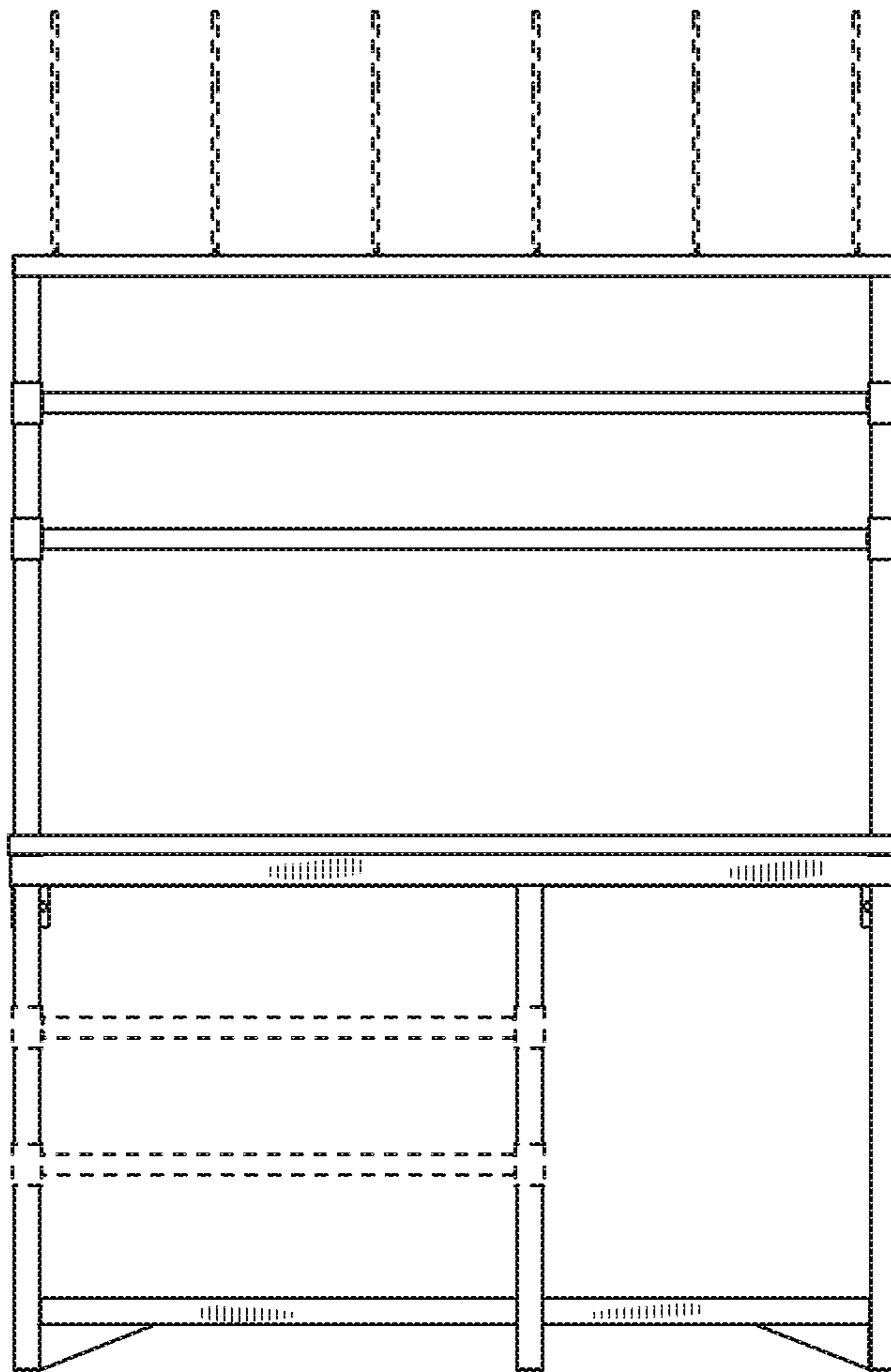


FIG. 2

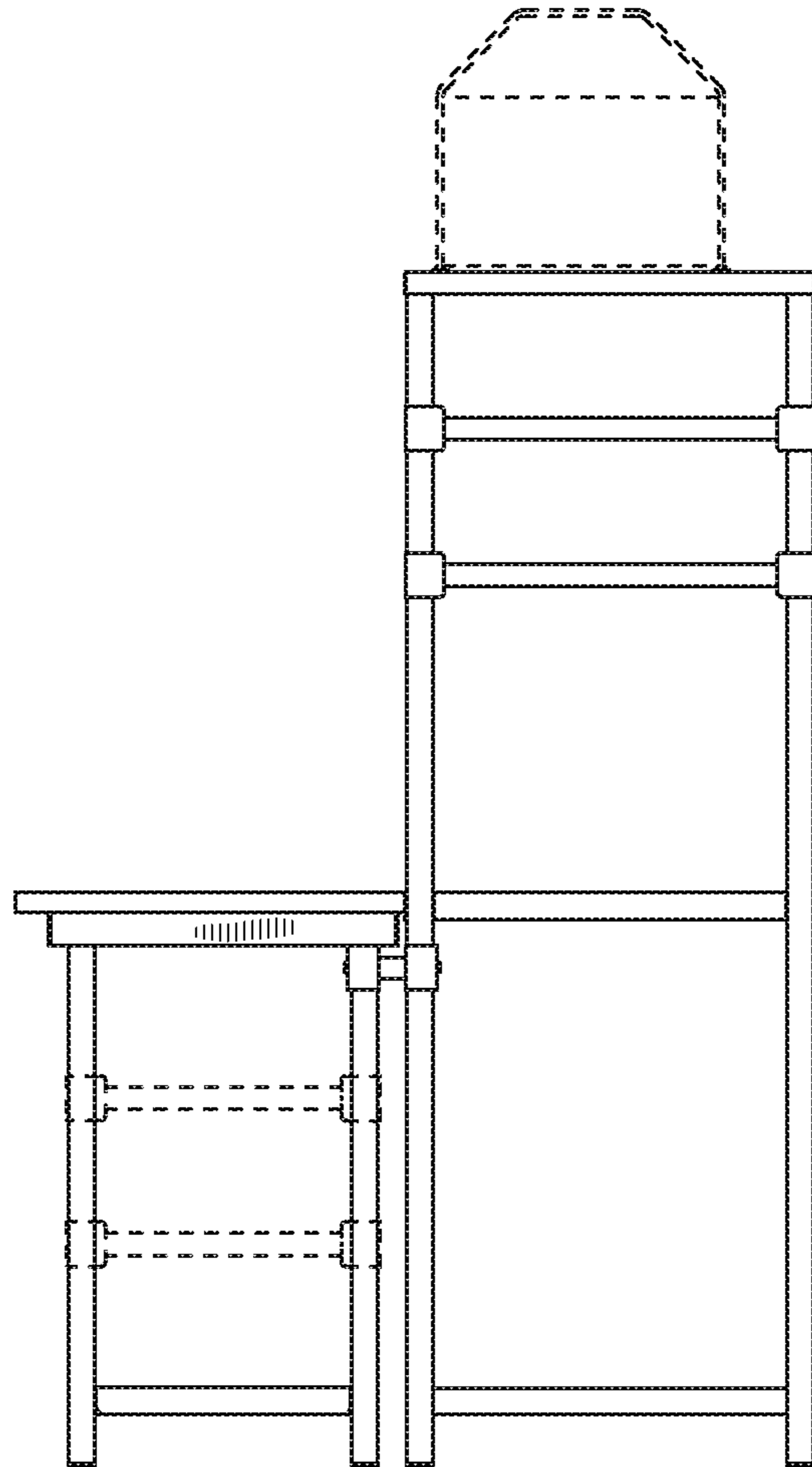


FIG. 3

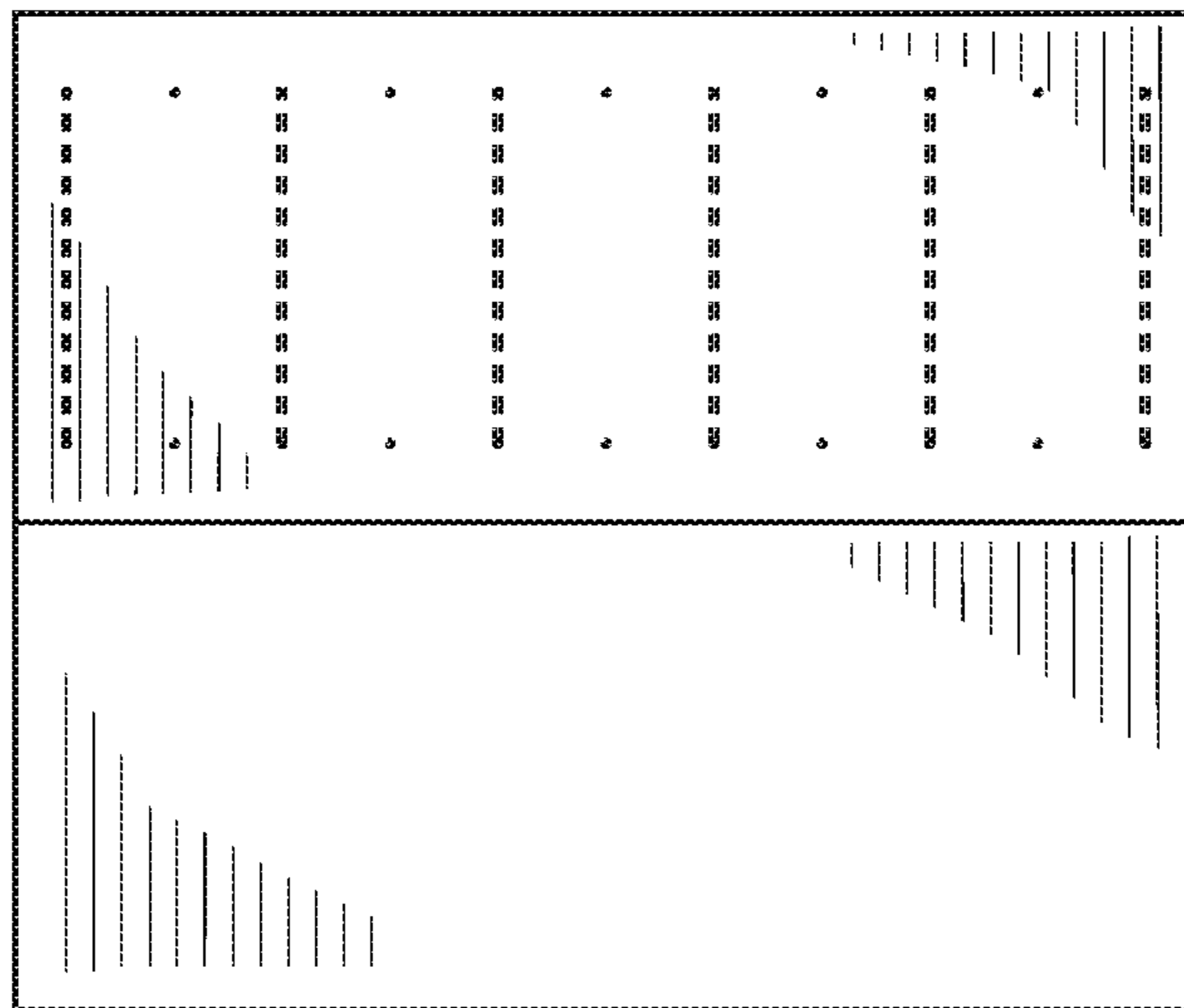


FIG. 4