



US00D923376S

(12) **United States Design Patent** (10) **Patent No.:** **US D923,376 S**
Ji (45) **Date of Patent:** **** Jun. 29, 2021**

(54) **TABLE**
(71) Applicant: **Freestyle Outdoor Living Co., Ltd.,**
Ningbo (CN)
(72) Inventor: **Jin Ji,** Ningbo (CN)
(**) Term: **15 Years**
(21) Appl. No.: **29/700,634**
(22) Filed: **Aug. 4, 2019**
(51) **LOC (13) Cl.** **06-03**
(52) **U.S. Cl.**
USPC **D6/691.1**
(58) **Field of Classification Search**
USPC D6/349, 685, 686, 691, 691.1–691.9
CPC A47B 7/00; A47B 13/00; A47B 13/02;
A47B 13/04; A47B 13/06; A47B 13/08;
A47B 13/10; A47B 13/12; A47B 21/00;
A47B 2200/0001; A47B 2200/0011;
A47B 2200/002
See application file for complete search history.

D784,744 S * 4/2017 Burden A47B 95/043
D6/691.1
D829,476 S * 10/2018 Bernardi D6/691.1
D856,051 S * 8/2019 Seniff D6/691.5
D886,497 S * 6/2020 Ferri D6/684
2010/0043679 A1* 2/2010 Laws A47B 95/043
108/64

OTHER PUBLICATIONS

Hamlet Trestle Table—Onlineamishfurniture.com <https://www.onlineamishfurniture.com/hamlet-trestle-table.html> retrieved from the internet on Dec. 30, 2020.*

* cited by examiner

Primary Examiner — Mary Ann Calabrese
(74) *Attorney, Agent, or Firm* — Themis Law

(57) **CLAIM**

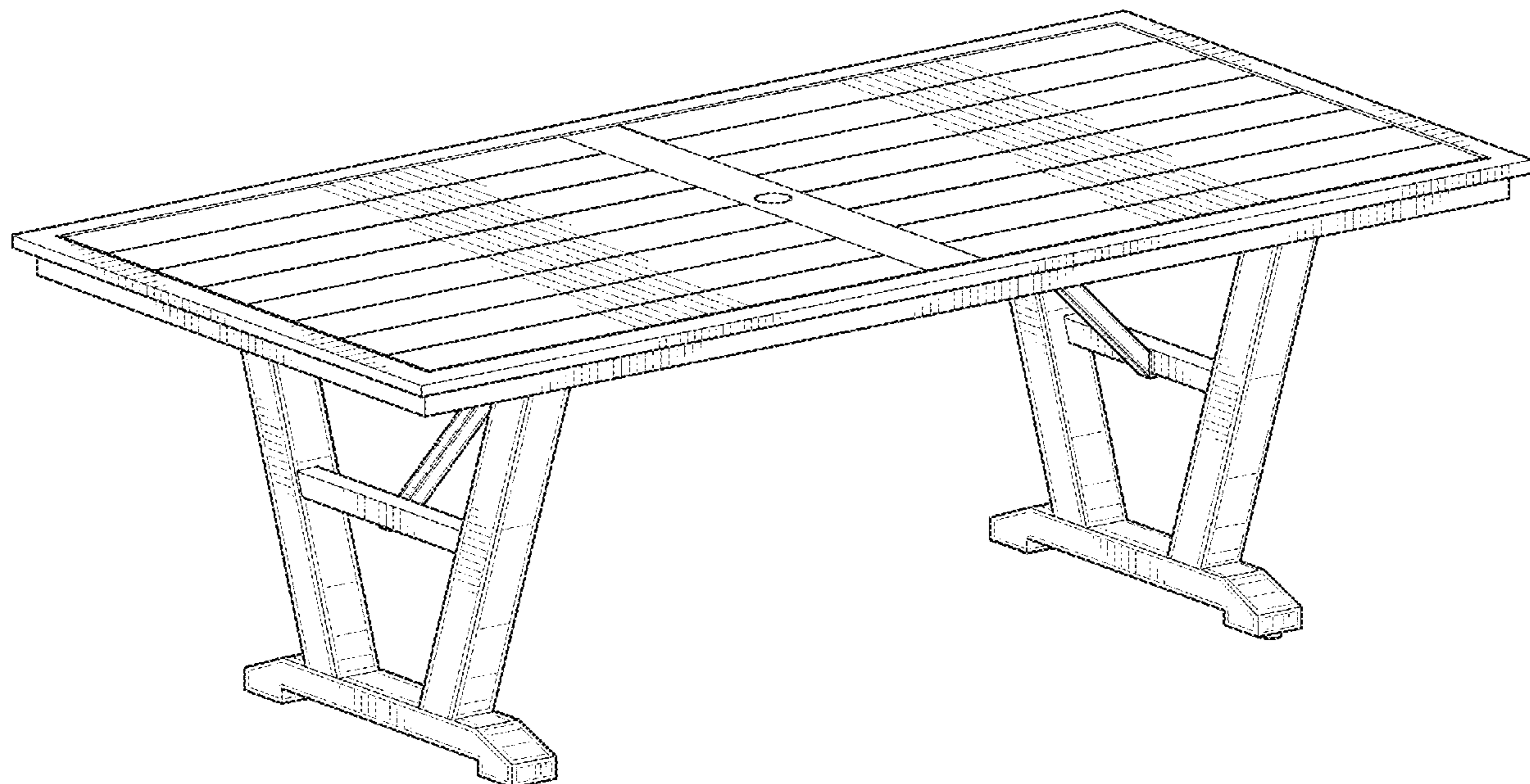
The ornamental design for a table, as shown and described.

DESCRIPTION

FIG. 1 is a perspective view of a table showing my new design;
FIG. 2 is a right side view thereof, the left side view being a mirror image;
FIG. 3 is a bottom view thereof;
FIG. 4 is a front view thereof, the rear view being a mirror image; and,
FIG. 5 is a top view thereof.
The broken lines in the drawings show portions of the table that form no part of the claimed design.

1 Claim, 5 Drawing Sheets

(56) **References Cited**
U.S. PATENT DOCUMENTS
D90,849 S * 10/1933 Kayser D6/691.1
D249,858 S * 10/1978 Gageby D6/691.1
D263,910 S * 4/1982 Robertson D6/691.1
D350,446 S * 9/1994 Sauvage D6/692
D442,391 S * 5/2001 Wu D6/691.1
D502,342 S * 3/2005 O'Hare D6/691.1
D616,228 S * 5/2010 Guido D6/691.1



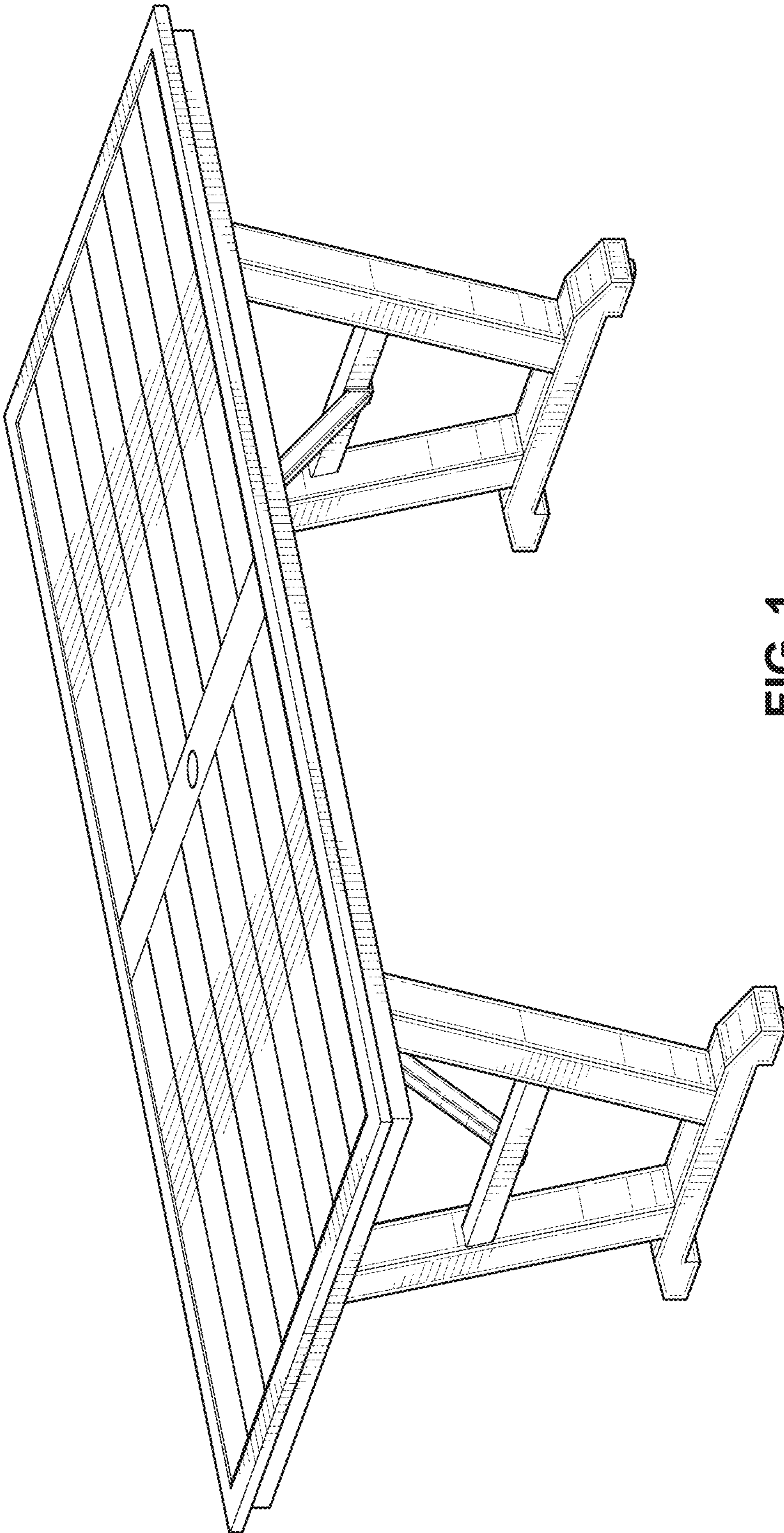


FIG. 1

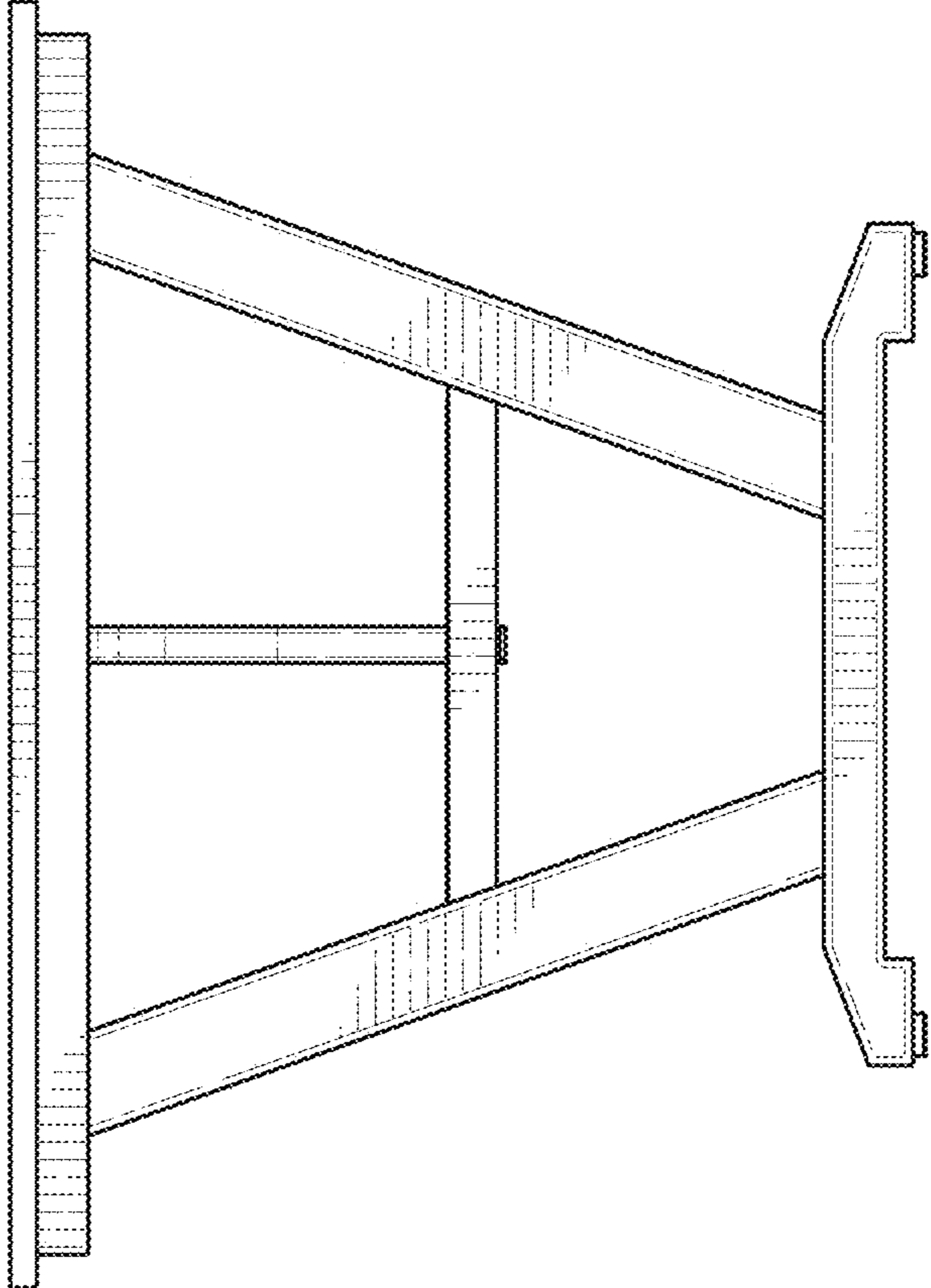


FIG. 2

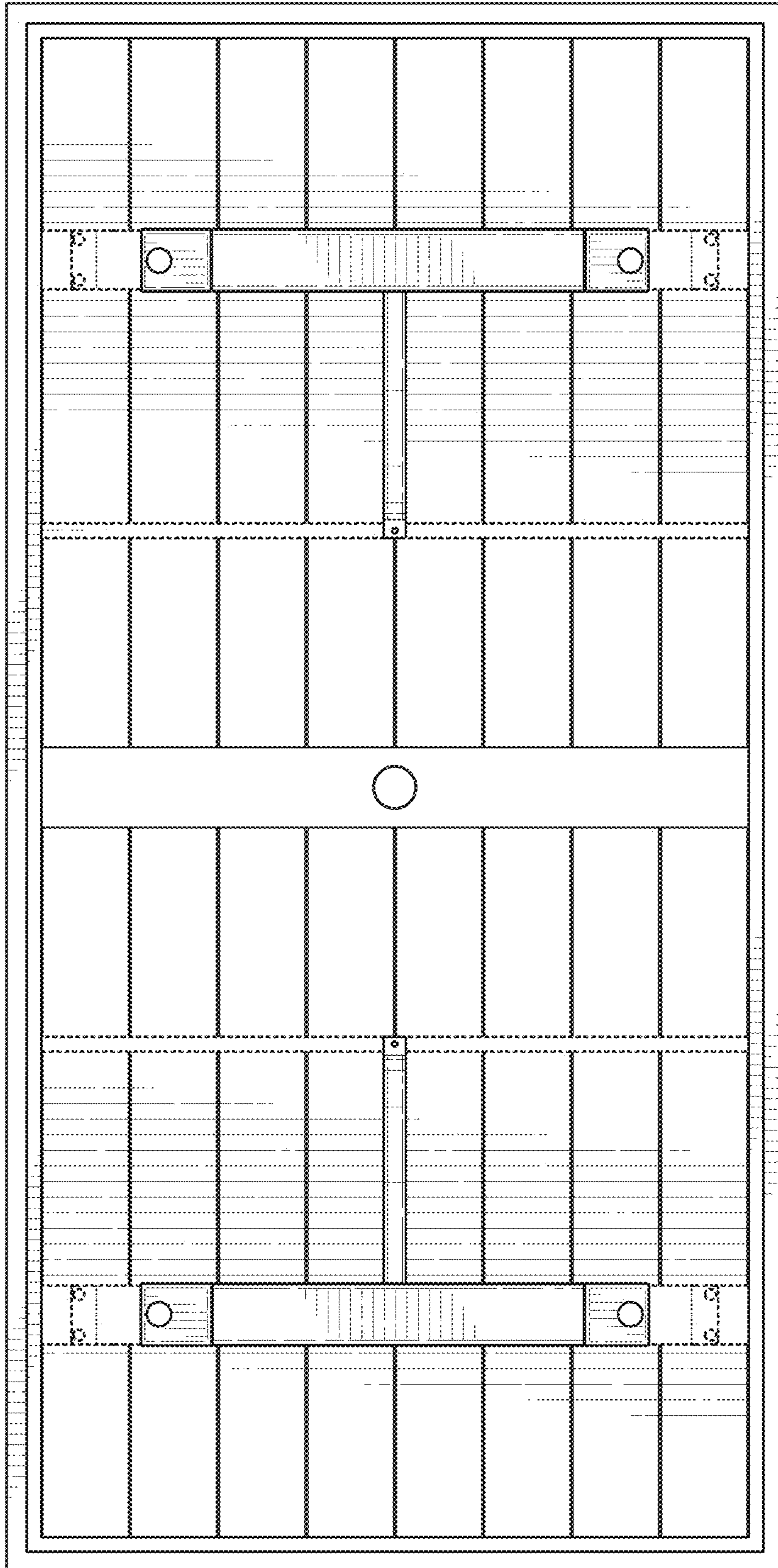


FIG. 3

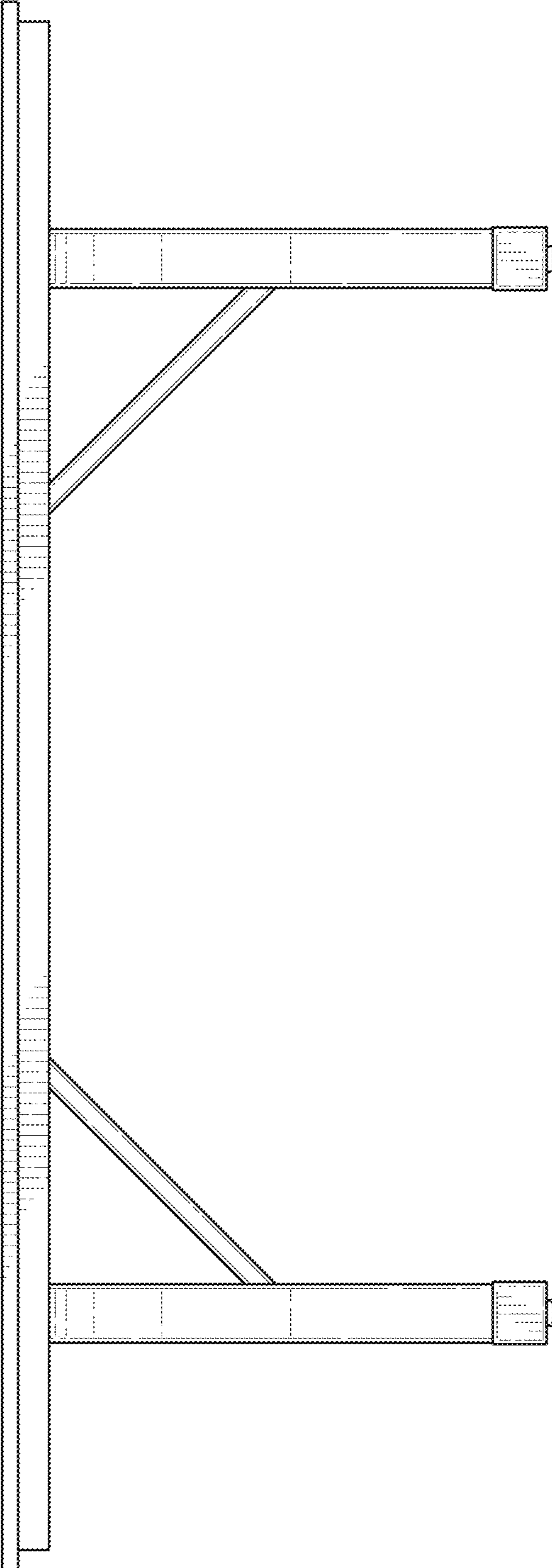


FIG. 4

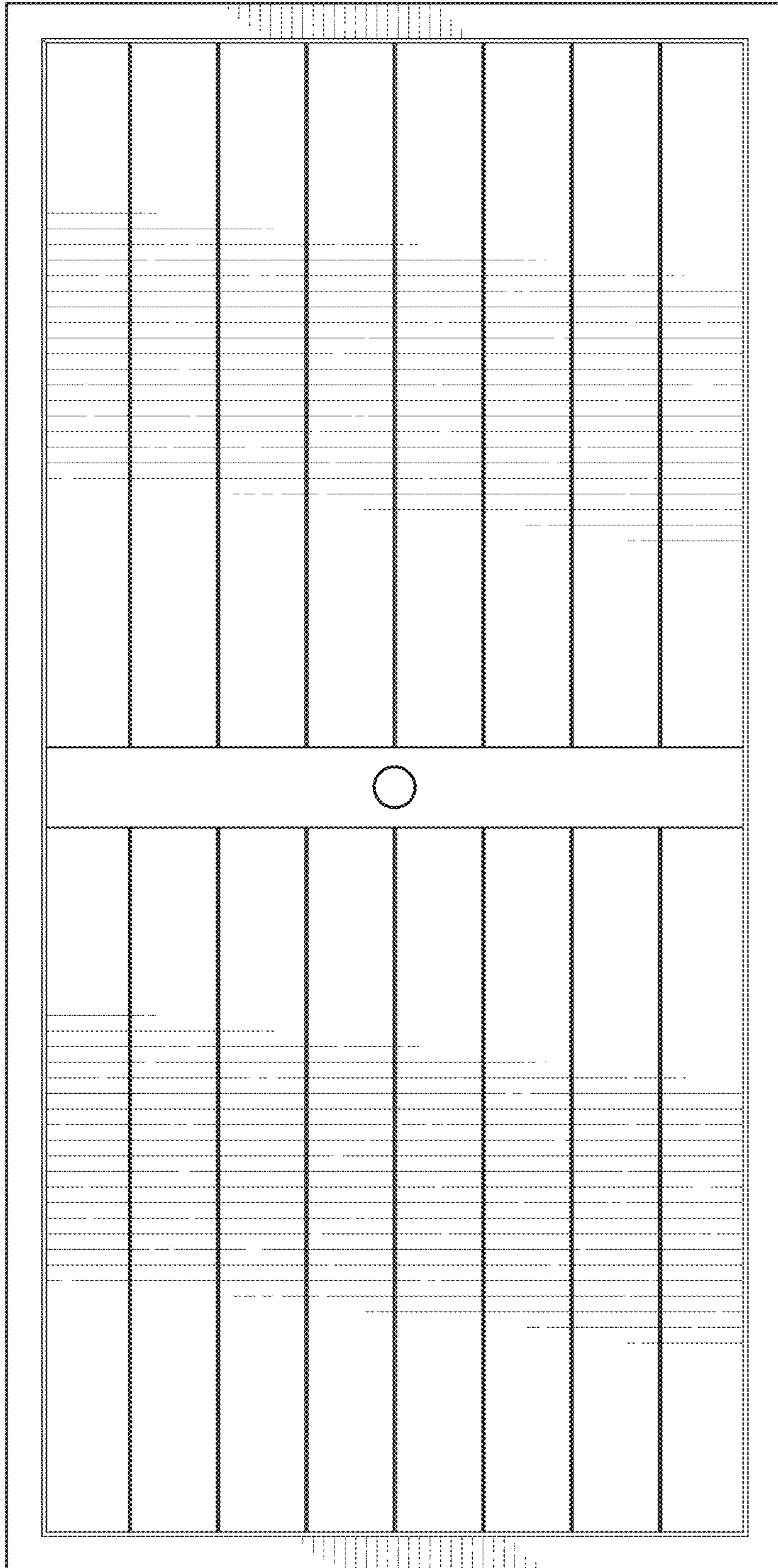


FIG. 5