



US00D923375S

(12) **United States Design Patent** (10) **Patent No.:** **US D923,375 S**  
**Davis et al.** (45) **Date of Patent:** **\*\* Jun. 29, 2021**

(54) **TABLE**  
(71) Applicant: **WALKER EDISON FURNITURE COMPANY LLC**, Salt Lake City, UT (US)  
(72) Inventors: **Matthew Davis**, Millcreek, UT (US); **Brad Bonham**, Draper, UT (US); **Richard A. Packer**, Kaysville, UT (US); **Tiffany Duhadway**, Salt Lake City, UT (US)

D243,813 S \* 3/1977 Pratt ..... D6/691.1  
D261,712 S 11/1981 Ferdinand  
D281,555 S 12/1985 Levy  
D288,880 S 3/1987 Favaretto  
D293,181 S 12/1987 Solaro  
D334,856 S 4/1993 Sielaff  
D336,394 S 6/1993 Ball  
D343,311 S 1/1994 Ball  
D362,141 S \* 9/1995 Paus ..... D6/691  
D362,769 S \* 10/1995 Paus ..... D6/691.1  
5,483,901 A 1/1996 Tisbo  
D367,379 S 2/1996 Nicholson  
D376,711 S \* 12/1996 Harris ..... D6/691.1

(73) Assignee: **Walker Edison Furniture Company LLC**, West Jordan, UT (US)

(\*\*) Term: **15 Years**

(21) Appl. No.: **29/699,080**

(22) Filed: **Jul. 23, 2019**

(51) **LOC (13) Cl.** ..... **06-03**

(52) **U.S. Cl.**  
USPC ..... **D6/691.1**

(58) **Field of Classification Search**  
USPC ..... D6/349, 685, 686, 691, 691.1–691.9  
CPC ..... A47B 7/00; A47B 13/00; A47B 13/02;  
A47B 13/04; A47B 13/06; A47B 13/08;  
A47B 13/10; A47B 13/12; A47B 21/00;  
A47B 2200/0001; A47B 2200/0011;  
A47B 2200/002

See application file for complete search history.

(56) **References Cited**

**U.S. PATENT DOCUMENTS**

606,845 A 7/1898 Simmons  
D96,633 S 8/1935 Swanson  
D104,153 S 4/1937 Wilson  
D194,573 S 2/1963 Ovendale  
D220,443 S 4/1971 Beavers  
D228,106 S 8/1973 Klotz  
D234,735 S 4/1975 Podell

(Continued)

**OTHER PUBLICATIONS**

Pallet Coffee Table with Patterened Top—Pinterest <https://www.pinterest.com/pin/421227371379534170/> retrieved from the internet on Dec. 29, 2020.\*

(Continued)

*Primary Examiner* — Mary Ann Calabrese  
(74) *Attorney, Agent, or Firm* — Workman Nydegger

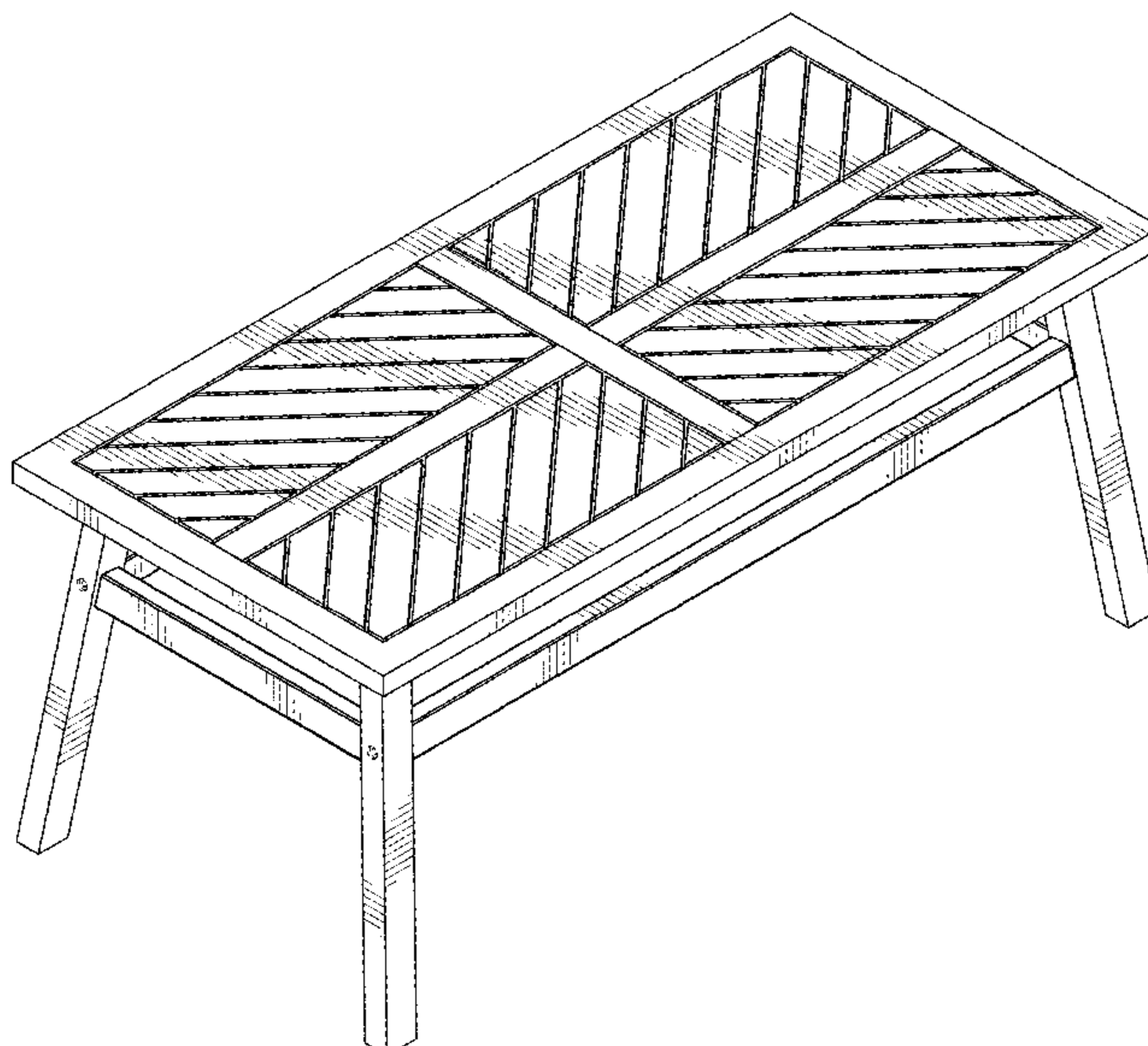
(57) **CLAIM**

The ornamental design for a table, as shown and described.

**DESCRIPTION**

FIG. 1 is a front perspective view of a table showing the new design;  
FIG. 2 is a front elevation view thereof;  
FIG. 3 is a back elevation view thereof;  
FIG. 4 is a top plan view thereof;  
FIG. 5 is a bottom plan view thereof;  
FIG. 6 is a right elevation view thereof; and,  
FIG. 7 is a left elevation view thereof.  
The broken lines in the drawings are for the purpose of illustrating portions of the article that form no part of the claimed design.

**1 Claim, 4 Drawing Sheets**



(56)

References Cited

U.S. PATENT DOCUMENTS

D406,708 S \* 3/1999 Hilton ..... D6/349  
 D443,440 S 6/2001 Deimen  
 D506,091 S 6/2005 Cioncada  
 D509,683 S \* 9/2005 Mohundro ..... D6/691.1  
 D510,492 S 10/2005 Sakurai  
 D512,586 S \* 12/2005 Cross ..... D6/691.1  
 D530,548 S 10/2006 McCurry  
 D552,885 S 10/2007 Saotome  
 D588,380 S 3/2009 Bucholz  
 D608,568 S 1/2010 Manz  
 7,640,869 B2 1/2010 Leng  
 D614,889 S 5/2010 Van Duysen  
 D618,936 S 7/2010 Xu  
 D624,336 S 9/2010 Schultz  
 D626,767 S 11/2010 Lucci  
 D640,075 S 6/2011 Petrick  
 D655,951 S 3/2012 McCurry  
 D662,335 S 6/2012 Schultz  
 D669,709 S 10/2012 Nakamura  
 D671,339 S 11/2012 Nakamura  
 D676,689 S 2/2013 Matsushita  
 D688,075 S 8/2013 Lucci  
 D695,557 S 12/2013 Carretta  
 D703,465 S 4/2014 Weatherly  
 D728,980 S \* 5/2015 Asner ..... D6/691.1  
 D775,877 S 1/2017 Lin  
 D780,469 S \* 3/2017 Cohen ..... D6/349  
 D782,855 S 4/2017 Scagnellato  
 D784,742 S 4/2017 Grossinger  
 D785,384 S 5/2017 Bettin  
 D808,207 S 1/2018 Beber et al.  
 D826,608 S 8/2018 Pederson  
 D829,013 S 9/2018 Velez  
 2010/0186640 A1 7/2010 Leng

OTHER PUBLICATIONS

U.S. Appl. No. 29/634,908, filed Jan. 25, 2018, Davis.  
 U.S. Appl. No. 29/634,915, filed Jan. 25, 2018, Davis.  
 U.S. Appl. No. 29/656,481, filed Jul. 12, 2018, Davis.

Metal Coffee Table; <https://www.overstock.com/Home-Garden/42-Metal-Coffee-Table-42-x-24-x-18h/15951452/product.html> Retrieved on Nov. 13, 2018.

Madelyn Urban Blend Wood Dining Table, posted at Allmodern.com, posted on Apr. 29, 2017, site Visited Mar. 8, 2019. online, available from internet: <https://www.allmodern.com/furniture/pdp/madelyn-urban-blend-wood-dining-table-lrfy7130.html?piid=20742762#2izwgxw61p-7> (Year: 2017).

BonVIVO Designer Coffee Table, posted at Amazon.com, posted on Feb. 15, 2017, site visited Mar. 8, 2019. online, available from internet: <https://www.amazon.com/bonVIVO-Designer-Coffee-Donatella-Natural/dp/B06VVXJ6BH> (Year: 2017)

48" Angle Iron Wood Dining Table Barnwood by Walker Edison Furniture Company—Amazon.com; <https://www.amazon.com/W-Designs-Angle-Dining-Barnwood/dp/B0719416WK> retrieved from the Internet on 09/vr08/2019.

Mireille Acrylic Coffee Table—Houzz.com; <https://www.houzz.com/products/mireille-acrylic-coffee-table-prvw-75509456> retrieved from the internet on Dec. 5, 2019.

Y leg coffee table—Walker Edison Furniture Company; <https://tyronetees.info/walker-edison-furniture-company> retrieved from internet on Dec. 5, 2019.

Silver Orchard Ispen Coffee Table—Overstock.com—retrieved from the internet on Dec. 5, 2019; <https://www.overstock.com/Home-Garden/42-Modern-Y-Base-Coffee-Table-42-x-22-x-18h/20272628/product.html?refccid=HGEC4SSBYVX2DRKE6RT64Z32A4&searchidx=0&option=33674622&kwds=Silver%20rchip%20Ipsen%2042-inch&rfmt=>.

U.S. Appl. No. 29/634,908, filed Mar. 15, 2019, Non-Final Office Action.

U.S. Appl. No. 29/634,908, filed Aug. 6, 2019, Notice of Allowance.

U.S. Appl. No. 29/634,915, filed Sep. 19, 2019, Notice of Allowance.

U.S. Appl. No. 29/656,481, filed Dec. 12, 2019, Non-Final Office Action.

U.S. Appl. No. 29/656,481, filed Mar. 18, 2020, Notice of Allowance.

U.S. Appl. No. 29/743,233, filed Jul. 20, 2020, Packer.

U.S. Appl. No. 29/743,595, filed Jul. 22, 2020, Packer.

\* cited by examiner

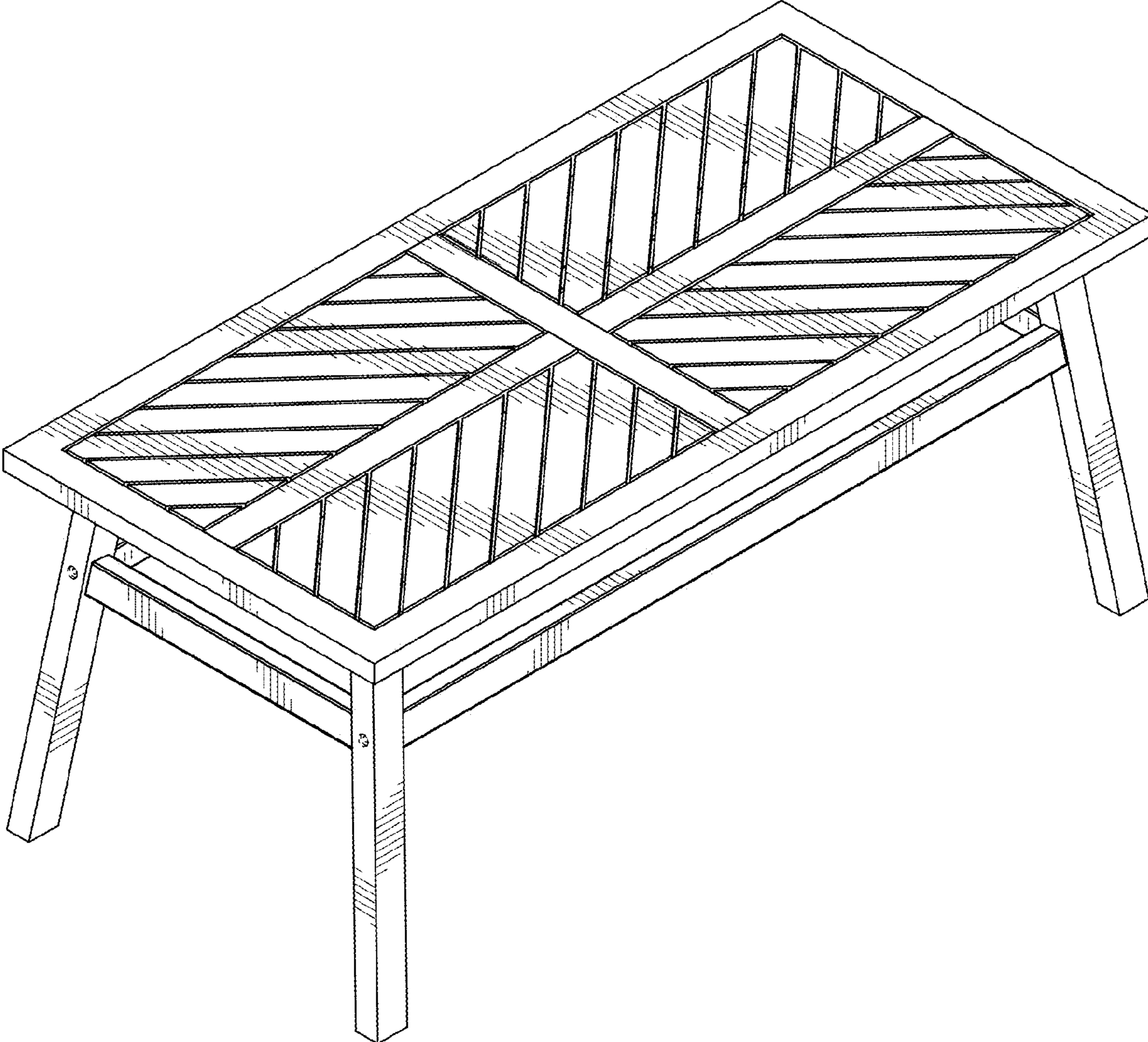


FIG. 1

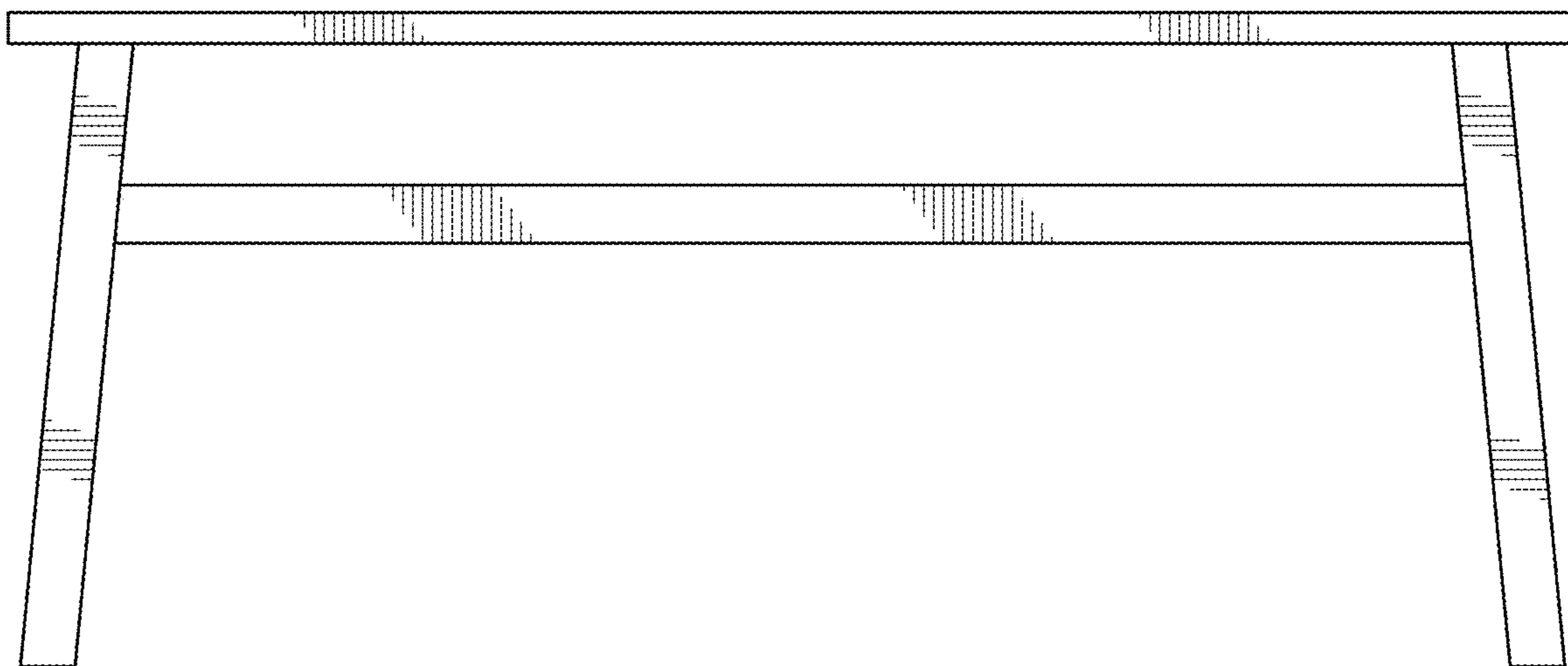


FIG. 2

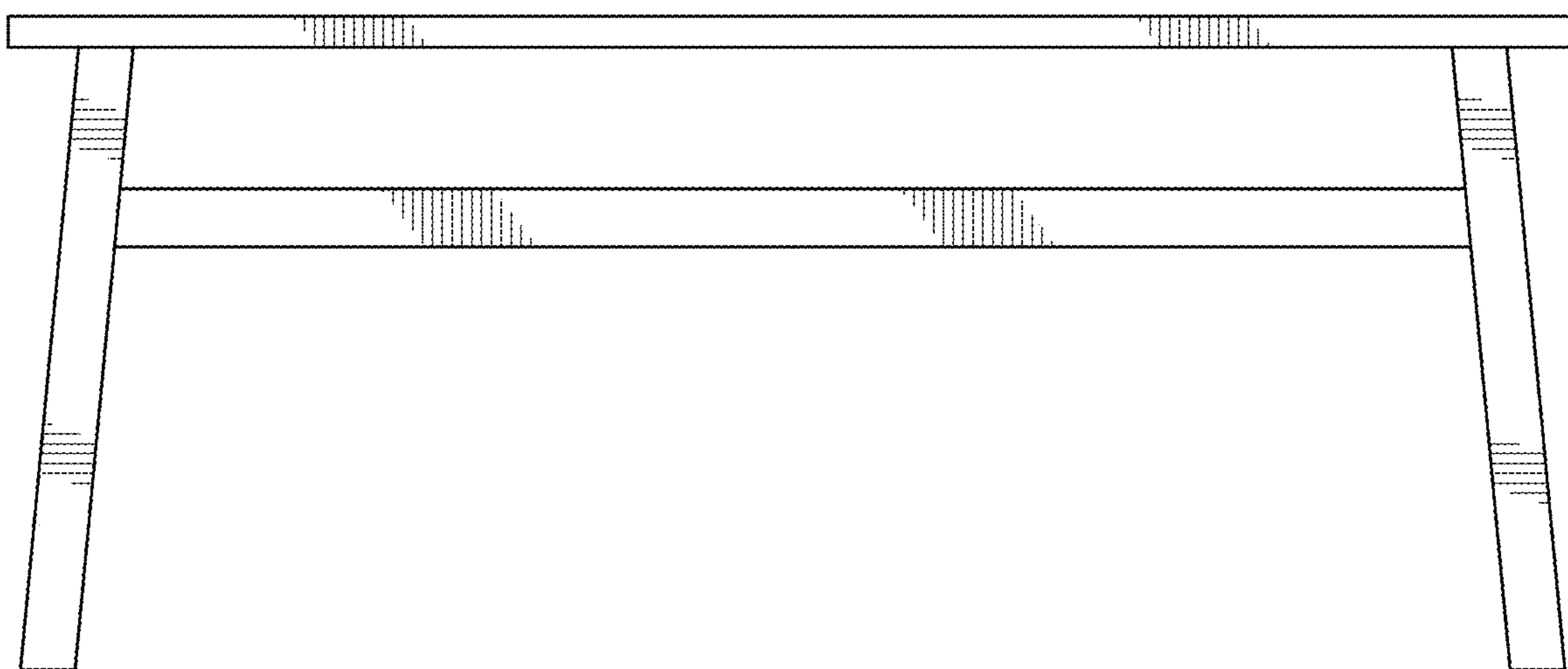


FIG. 3

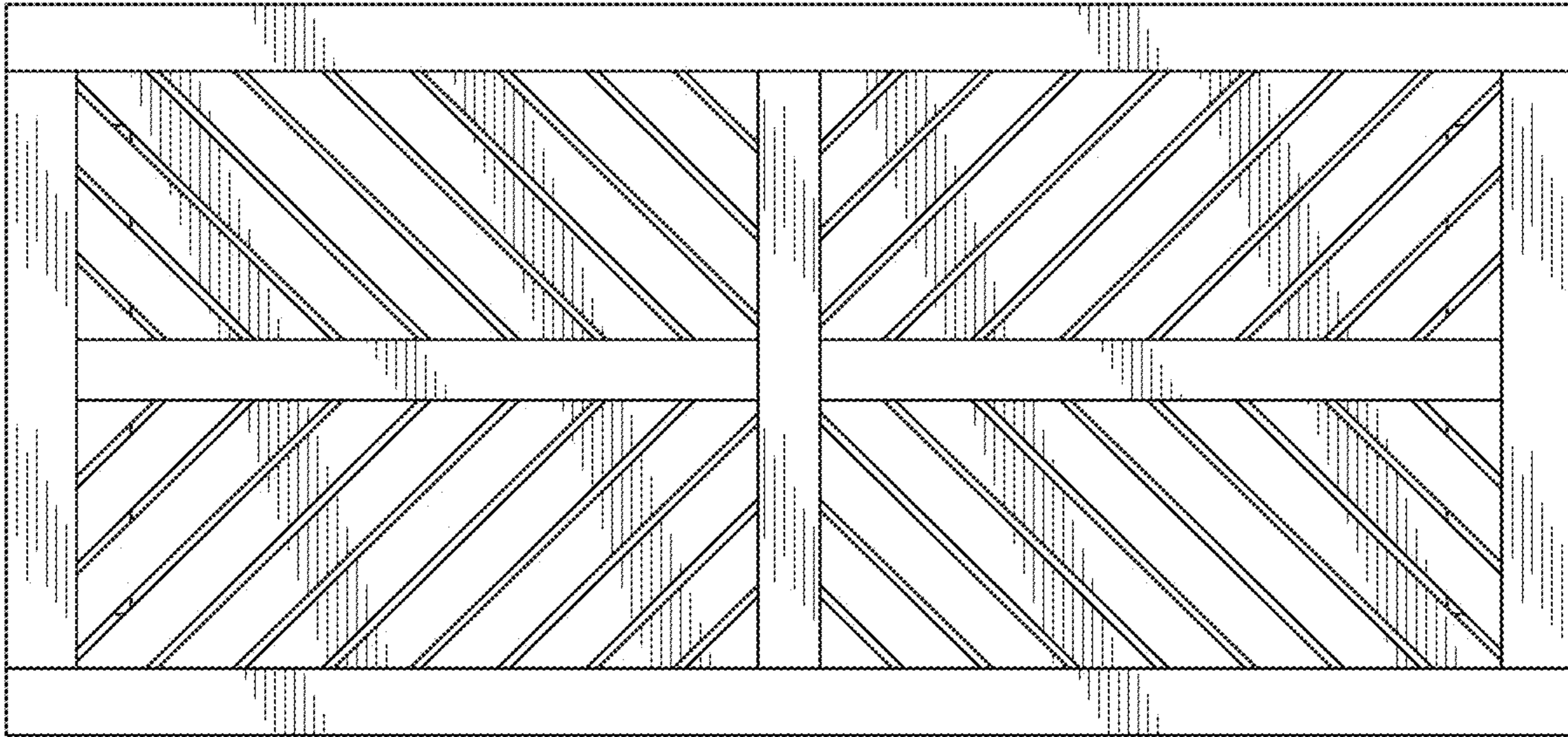


FIG. 4

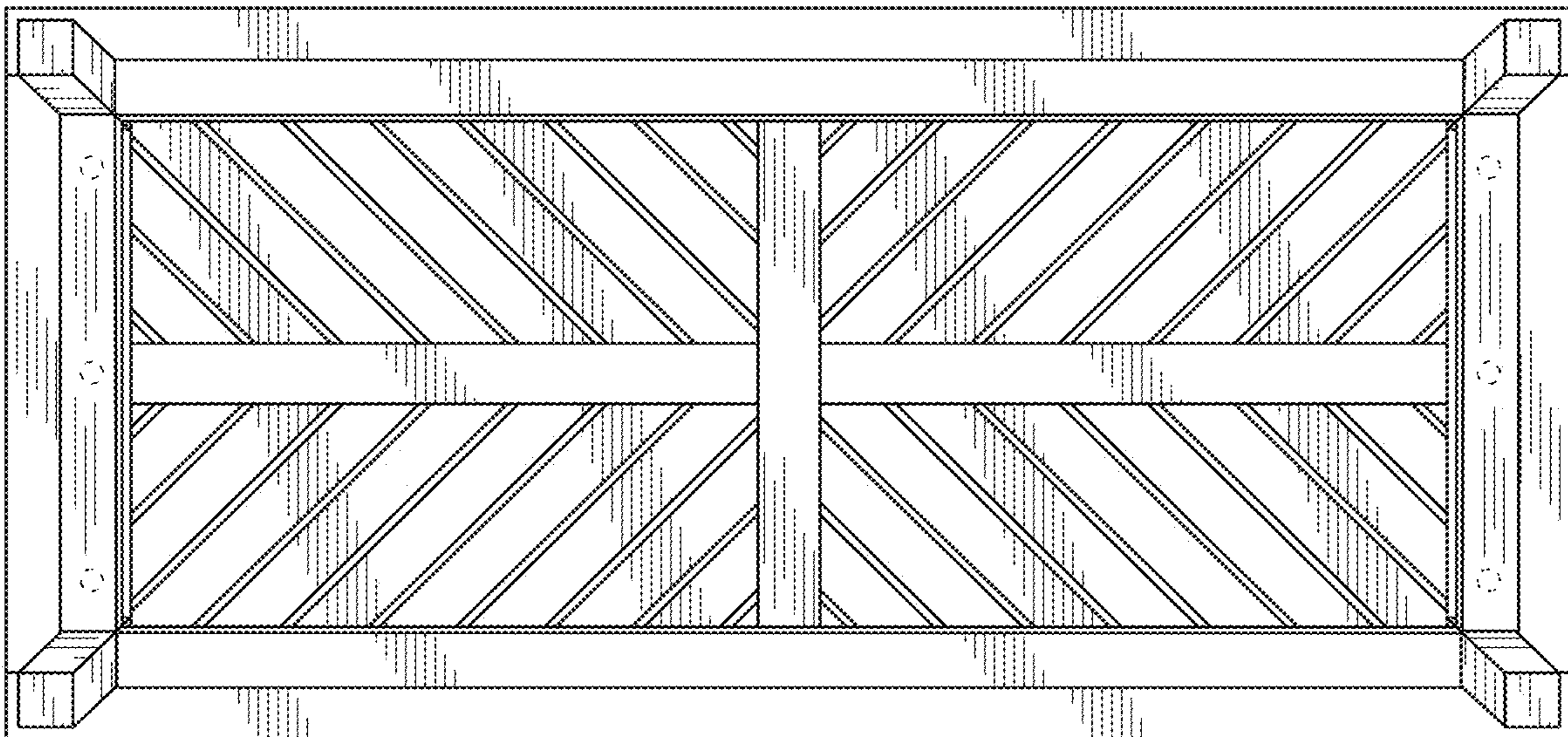


FIG. 5

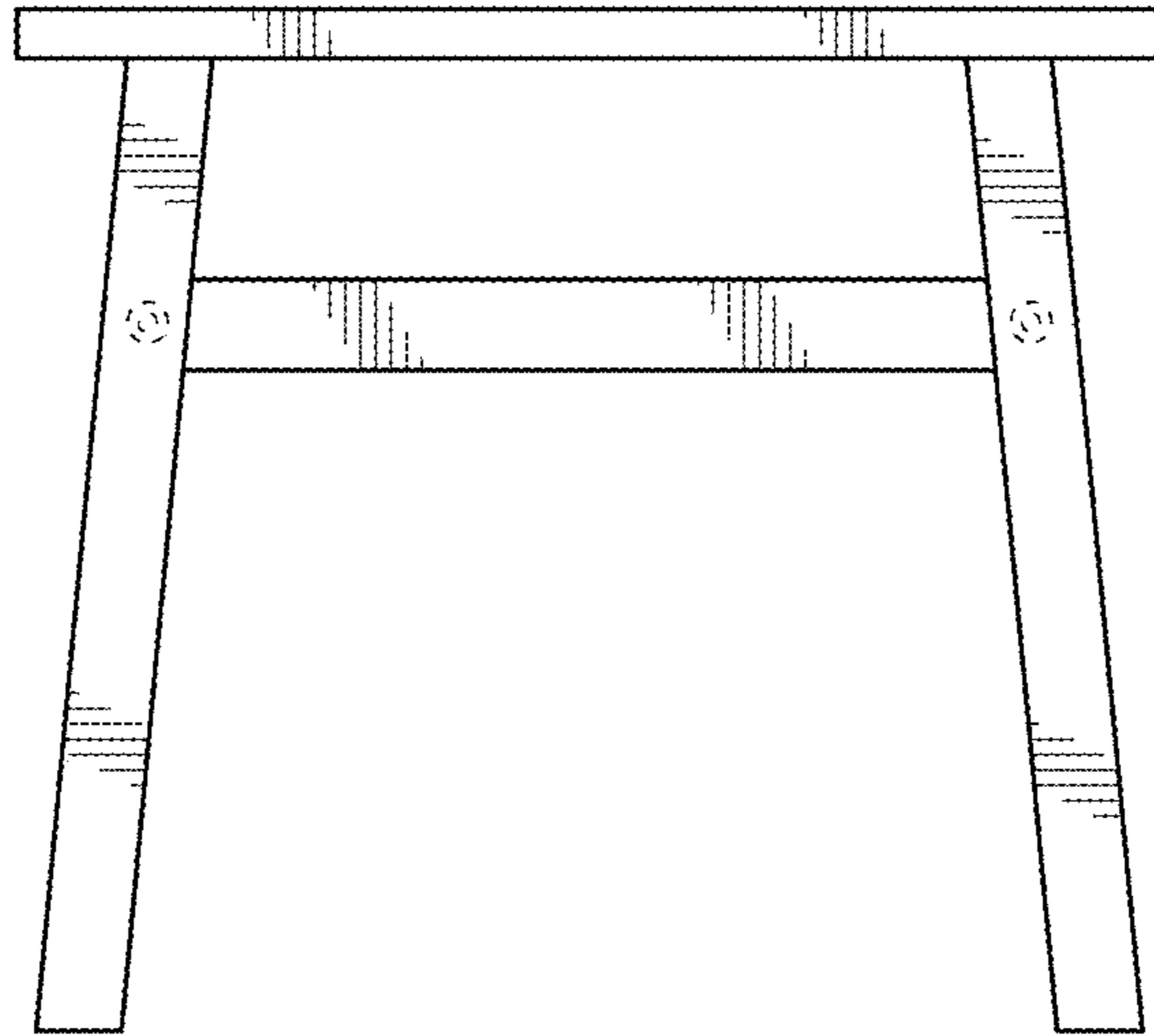


FIG. 6

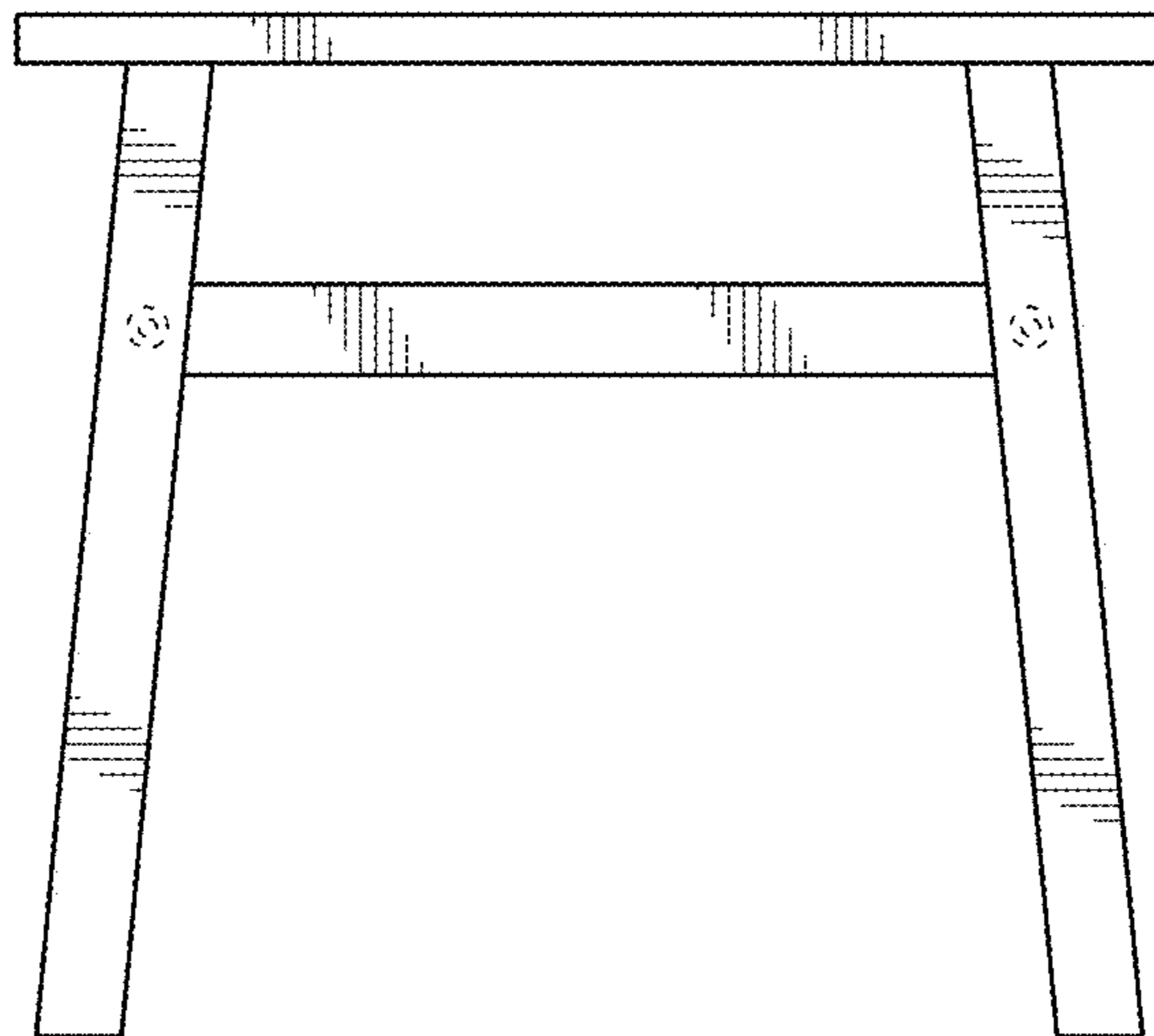


FIG. 7