

US00D923374S

(12) **United States Design Patent**
Bongiorno

(10) **Patent No.:** **US D923,374 S**

(45) **Date of Patent:** **** Jun. 29, 2021**

(54) **COAT RACK**

(71) Applicant: **Steven James Bongiorno**, Freeport, NY (US)

(72) Inventor: **Steven James Bongiorno**, Freeport, NY (US)

(**) Term: **15 Years**

(21) Appl. No.: **29/719,956**

(22) Filed: **Jan. 8, 2020**

(51) **LOC (13) Cl.** **20-02**

(52) **U.S. Cl.**
USPC **D6/681.3**

(58) **Field of Classification Search**
USPC D6/672, 681, 681.1, 681.2, 681.3, 682, D6/682.1, 682.5, 683, 708, 708.16, D6/708.17, 708.23
CPC .. A47F 5/00; A47F 5/0006; A47F 5/04; A47F 5/06; A47F 5/10; A47F 7/19; A47F 7/24; A47G 25/06; A47G 25/0664; A47G 25/0685
See application file for complete search history.

(56) **References Cited**

U.S. PATENT DOCUMENTS

376,767	A *	1/1888	Creque et al.	F24H 9/06
				248/172
881,345	A *	3/1908	Sabin et al.	F16M 11/00
				248/165
910,938	A *	1/1909	Miller et al.	F16M 11/00
				248/173
922,909	A *	5/1909	Jensen et al.	F16M 11/00
				248/150
927,746	A *	7/1909	Murphy et al.	F16M 11/00
				248/165
D147,902	S *	11/1947	Gray et al.	D6/708.23
2,474,318	A *	6/1949	Molla	A47B 3/12
				108/158

D194,573	S *	2/1963	Ovendale et al.	D6/681.1
D207,647	S *	5/1967	Wormley et al.	D6/708
D214,798	S *	7/1969	Court et al.	D6/672
D281,039	S *	10/1985	Hurst	D6/681.2
D290,793	S *	7/1987	Lukezich	D6/681.2
5,322,250	A *	6/1994	Wilhite, Jr.	F16M 11/38
				248/166
D379,878	S *	6/1997	Vassallo	D6/681.1
D386,332	S *	11/1997	Grosfillex	D6/708
D429,583	S *	8/2000	Black	D6/708
D435,365	S *	12/2000	Eason	D16/244
D479,415	S *	9/2003	Berry	F16M 11/38
				D6/708
D504,805	S *	5/2005	Sorkin	D14/224
D512,859	S *	12/2005	Garvey	D6/708.16
D534,382	S *	1/2007	Trott	D6/708.16
D552,897	S *	10/2007	Joseph	D6/708
D557,529	S *	12/2007	Cheng	A47B 3/12
				D6/708
D595,518	S *	7/2009	Zapanta	D6/681.1
D628,412	S *	12/2010	Lambert	F16M 11/00
				D6/708.23
D722,461	S *	2/2015	Braun	D6/682.6
D734,967	S *	7/2015	Lundy	F16M 11/00
				D6/681

(Continued)

Primary Examiner — Steven J Cxyz

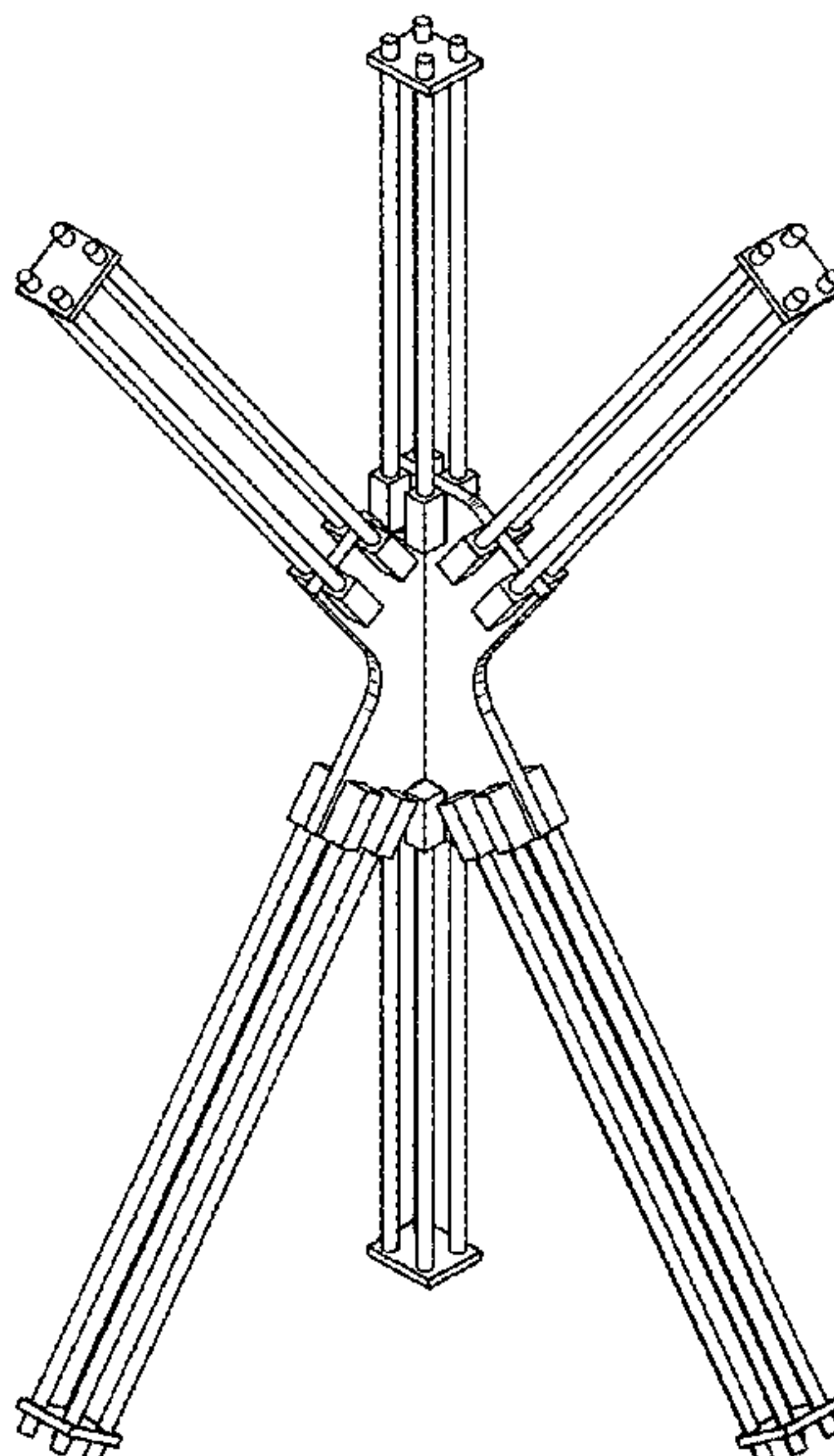
(57) **CLAIM**

The ornamental design for a coat rack, as shown and described.

DESCRIPTION

FIG. 1 is a front perspective view of a coat rack showing my new design;
FIG. 2 is a rear perspective view thereof;
FIG. 3 is a rear right side perspective view thereof;
FIG. 4 is a rear left side elevational view thereof;
FIG. 5 is a rear right side elevational view thereof; and,
FIG. 6 is a top view thereof.

1 Claim, 4 Drawing Sheets



(56)

References Cited

U.S. PATENT DOCUMENTS

9,518,696	B1 *	12/2016	Lin	D06F 57/04
D779,241	S *	2/2017	Terada	F24H 9/06
					D6/681.1
D822,413	S *	7/2018	Tinetti	D6/681.3
D833,783	S *	11/2018	Tinetti	D6/681.3
D854,863	S *	7/2019	Majer	D6/681.1
10,575,635	B1 *	3/2020	Ward	A47G 25/0685
D885,809	S *	6/2020	Song	D6/681.3

* cited by examiner

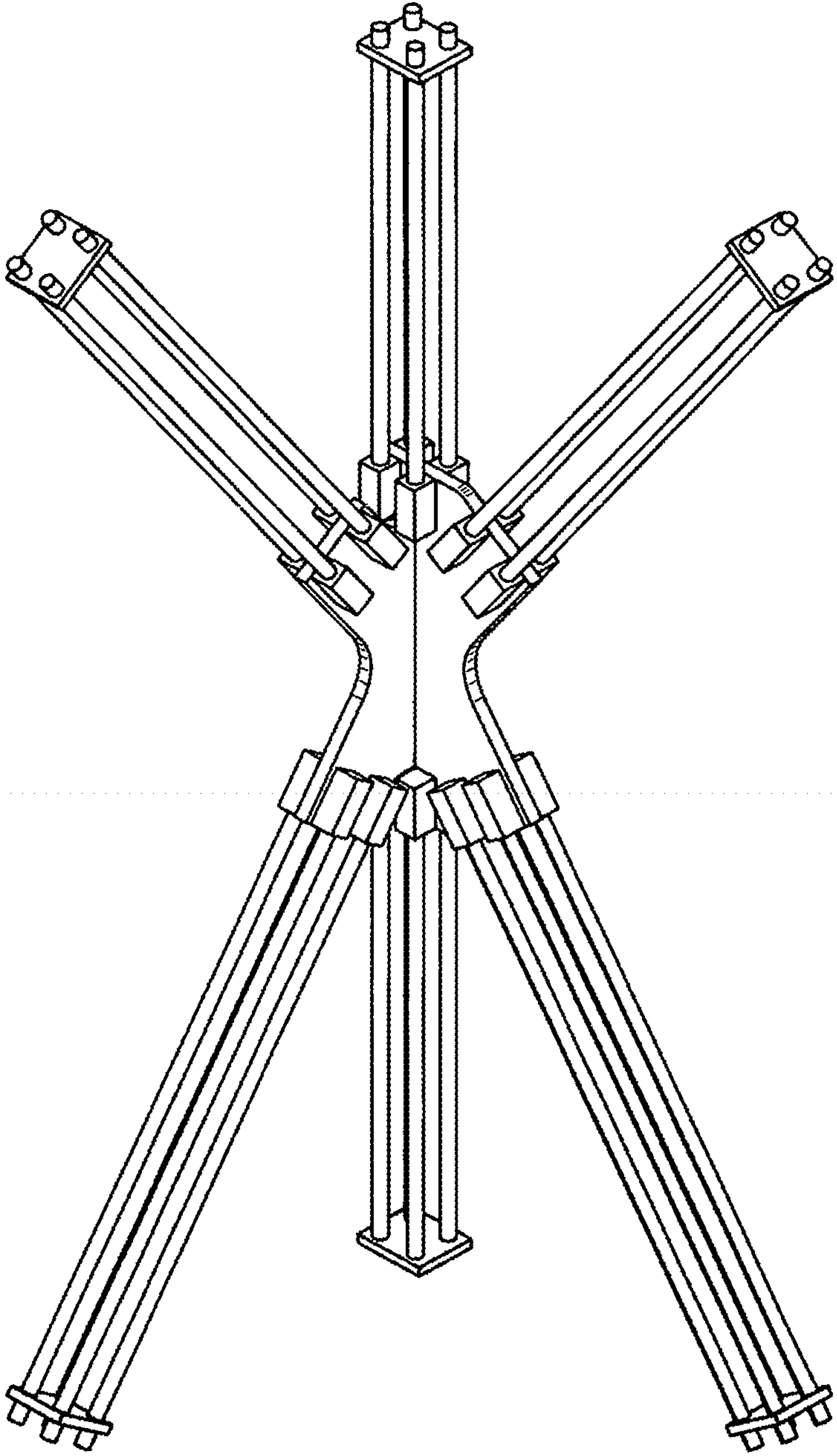


FIG. 1

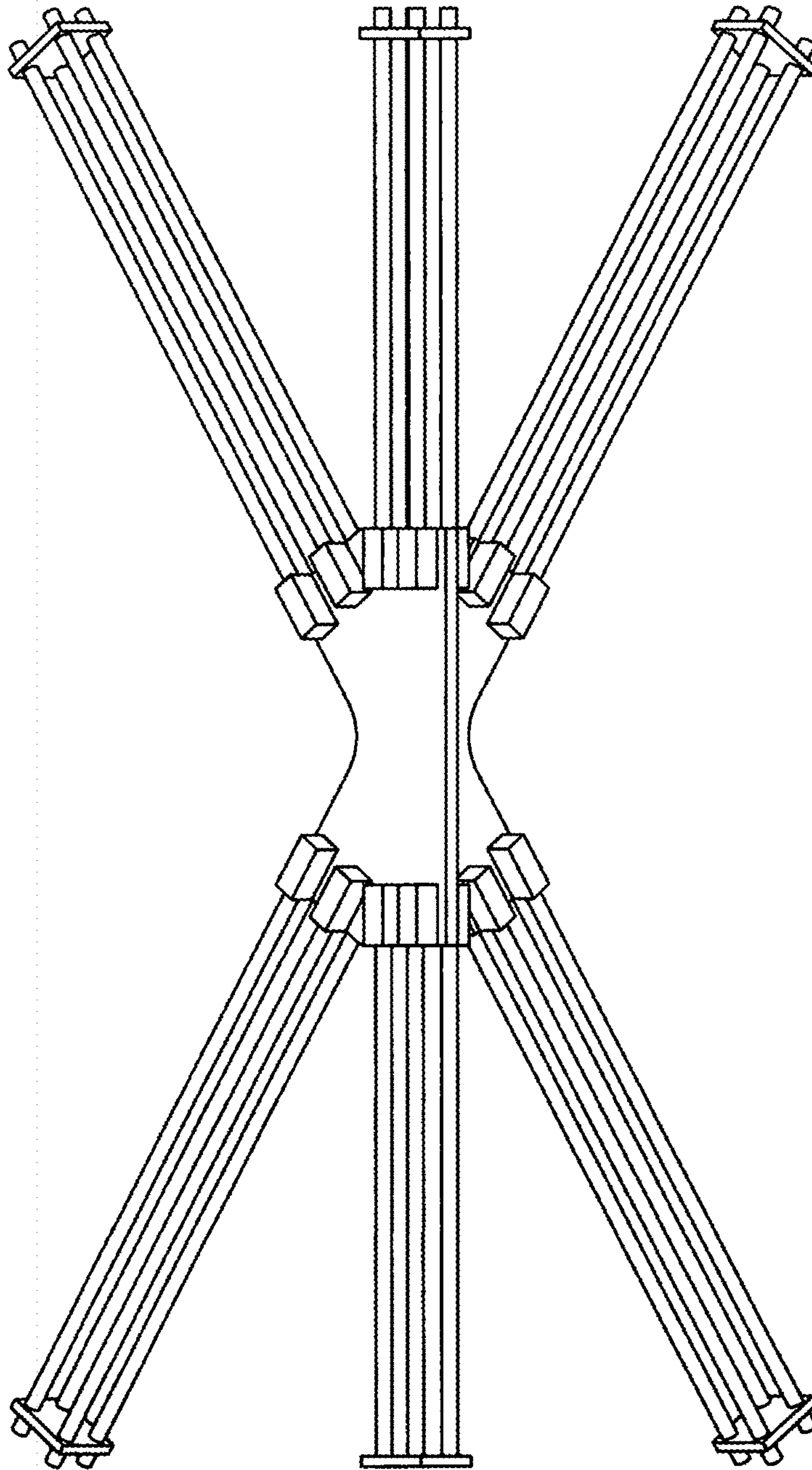


FIG. 2

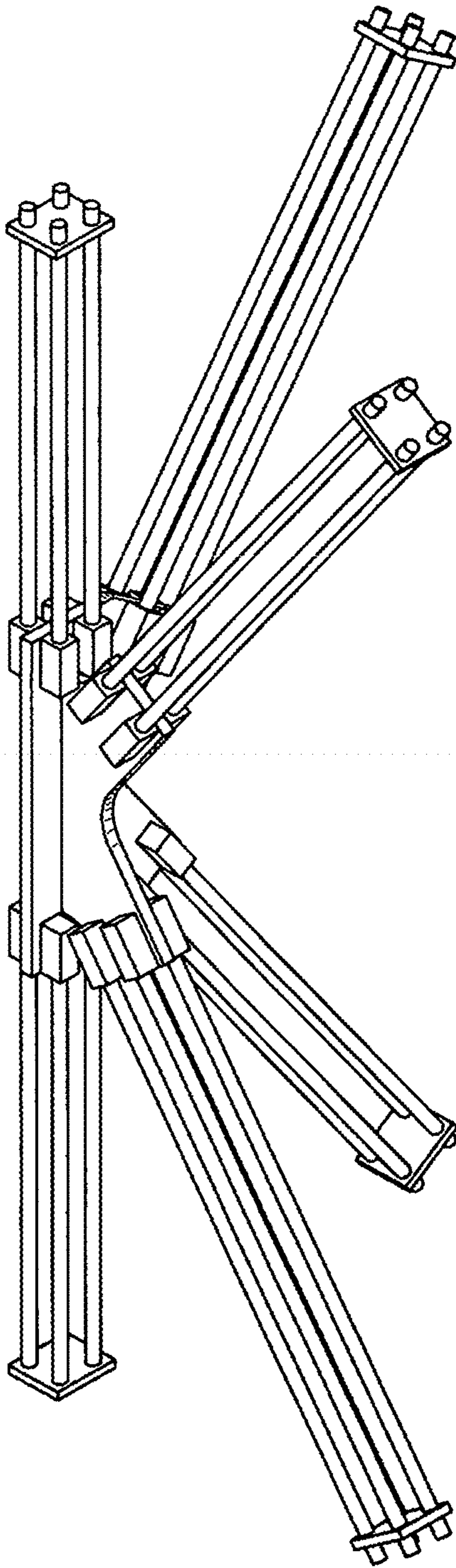


FIG. 3

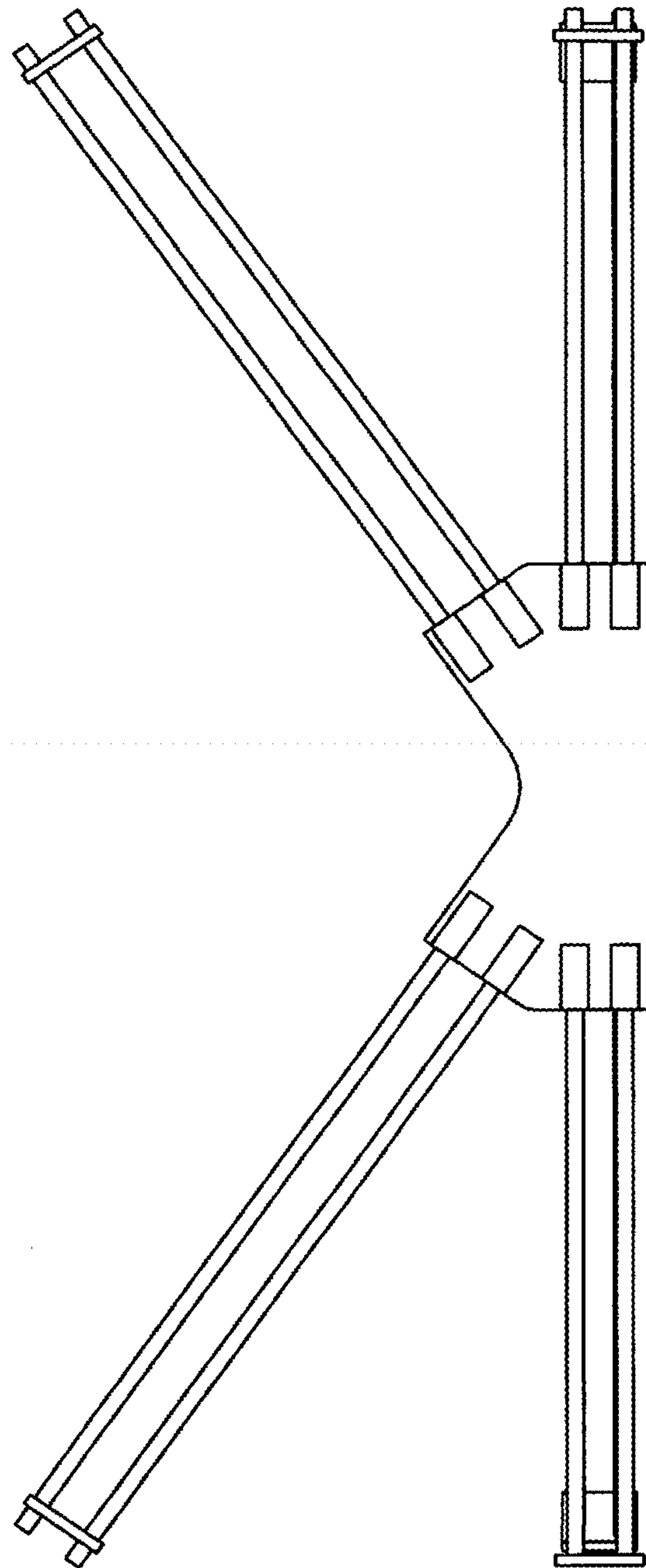


FIG. 4

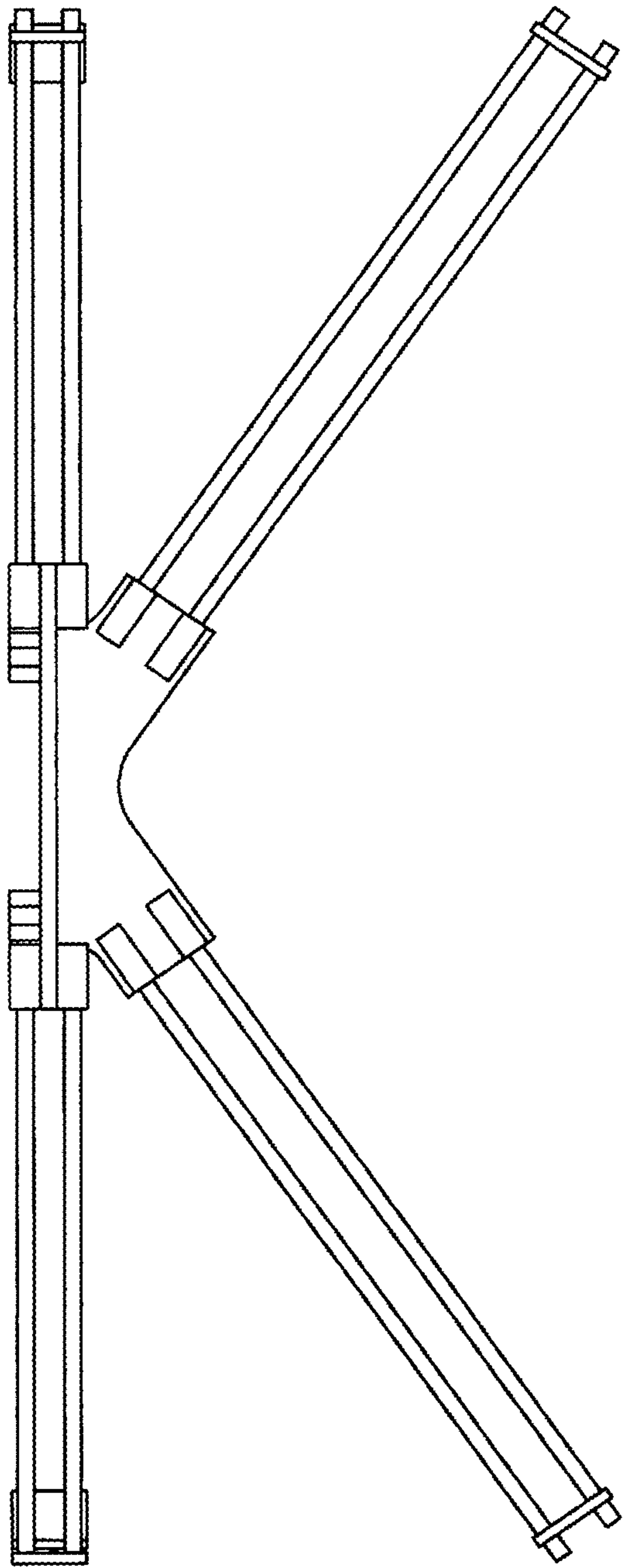


FIG. 5

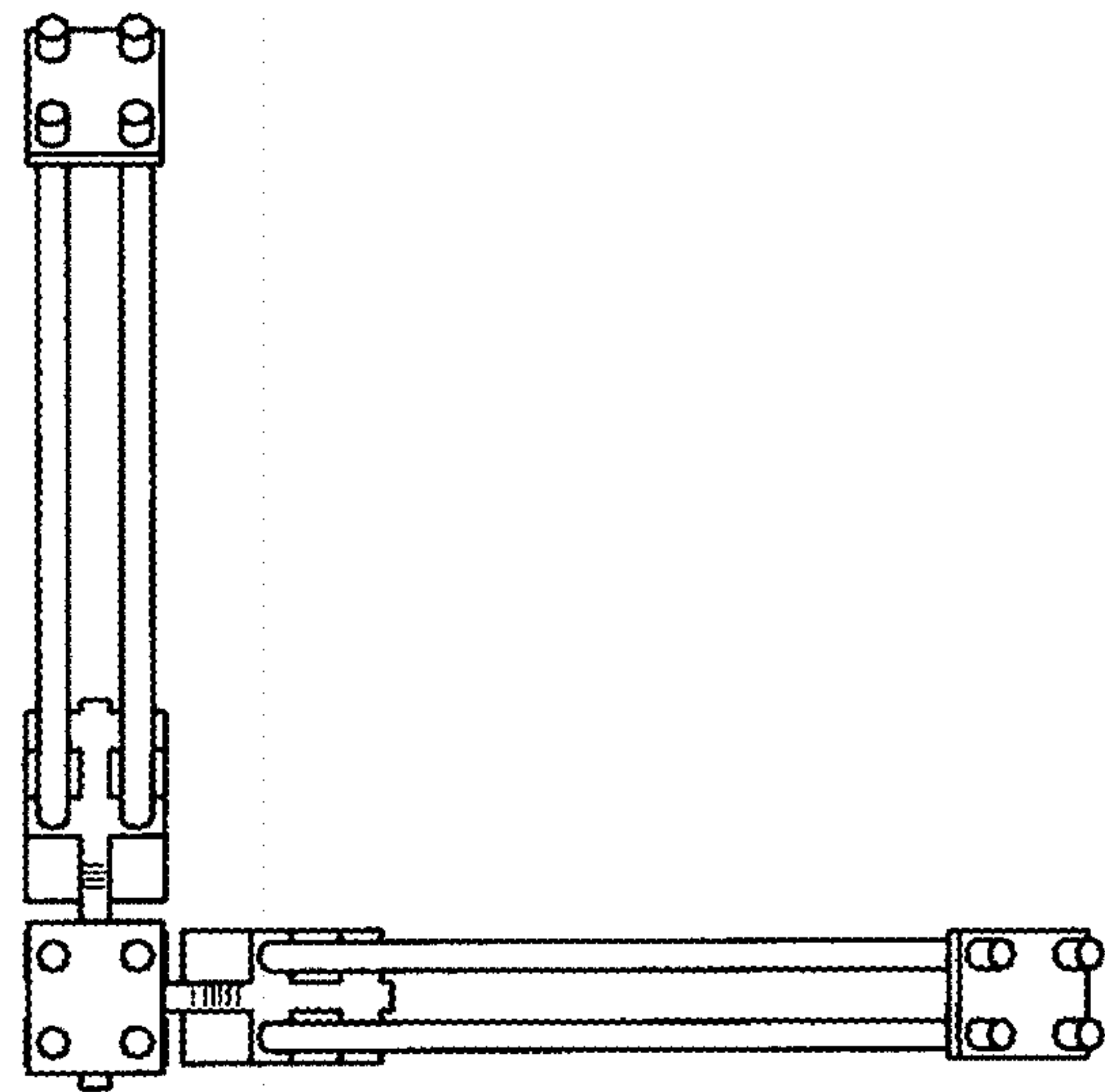


FIG. 6