



US00D923372S

(12) **United States Design Patent** (10) **Patent No.:** **US D923,372 S**
Gelman (45) **Date of Patent:** **** *Jun. 29, 2021**

(54) **CORNER BENCH UNIT**

(71) Applicant: **E&T HORIZONS LIMITED LIABILITY COMPANY**, Melbourne, FL (US)

(72) Inventor: **Eric Gelman**, Melbourne, FL (US)

(73) Assignee: **E&T HORIZONS LIMITED LIABILITY COMPANY**, Melbourne, FL (US)

(*) Notice: This patent is subject to a terminal disclaimer.

(**) Term: **15 Years**

(21) Appl. No.: **29/655,160**

(22) Filed: **Jun. 29, 2018**

(51) **LOC (13) Cl.** **06-06**

(52) **U.S. Cl.**
USPC **D6/676.1**

(58) **Field of Classification Search**
USPC D6/672, 673, 677, 676.1, 677.1, 702, D6/705, 512; D7/601, 602

(Continued)

(56) **References Cited**

U.S. PATENT DOCUMENTS

D82,082 S * 9/1930 Finch D6/676.1
D91,769 S * 3/1934 Duval D6/676.1

(Continued)

Primary Examiner — Kelley A Donnelly

(74) *Attorney, Agent, or Firm* — Mark Malek; Widerman Malek, PL

(57) **CLAIM**

The ornamental design for a corner bench unit, as shown and described.

DESCRIPTION

FIG. 1 is a front perspective view of a corner bench unit according to the present invention wherein a shelf of the corner bench unit has a rounded edge.

FIG. 2 is a front elevation view of the corner bench unit illustrated in FIG. 1.

FIG. 3 is a rear elevation view of the corner bench unit illustrated in FIG. 1.

FIG. 4 is a side elevation view of the corner bench unit illustrated in FIG. 1.

FIG. 5 is another side elevation view of the corner bench unit illustrated in FIG. 1.

FIG. 6 is a top plan view of the corner bench unit illustrated in FIG. 1.

FIG. 7 is a bottom plan view of the corner bench unit illustrated in FIG. 1.

The broken lines in FIGS. 1-7 depict slats on a bench portion and the shelf of the corner bench unit and do not form a part of the claimed invention.

FIG. 8 is a front perspective view of a corner bench unit according to the present invention wherein the shelf of the corner bench unit has a squared edge.

FIG. 9 is a front elevation view of the corner bench unit illustrated in FIG. 8.

FIG. 10 is a rear elevation view of the corner bench unit illustrated in FIG. 8.

FIG. 11 is a side elevation view of the corner bench unit illustrated in FIG. 8.

FIG. 12 is another side elevation view of the corner bench unit illustrated in FIG. 8.

FIG. 13 is a top plan view of the corner bench unit illustrated in FIG. 8.

FIG. 14 is a bottom plan view of the corner bench unit illustrated in FIG. 8.

The broken lines in FIGS. 8-14 depict slats on a bench portion and the shelf of the corner bench unit and do not form a part of the claimed invention.

FIG. 15 is a perspective view of a corner bench unit according to the present invention, wherein the shelf of the corner unit has a rounded edge, and wherein the slats of the bench portion and the shelf of the corner bench unit are configured in a manner different from the configuration illustrated in FIGS. 1-7.

FIG. 16 is a front elevation view of the corner bench unit illustrated in FIG. 15.

FIG. 17 is a rear elevation view of the corner bench unit illustrated in FIG. 15.

(Continued)

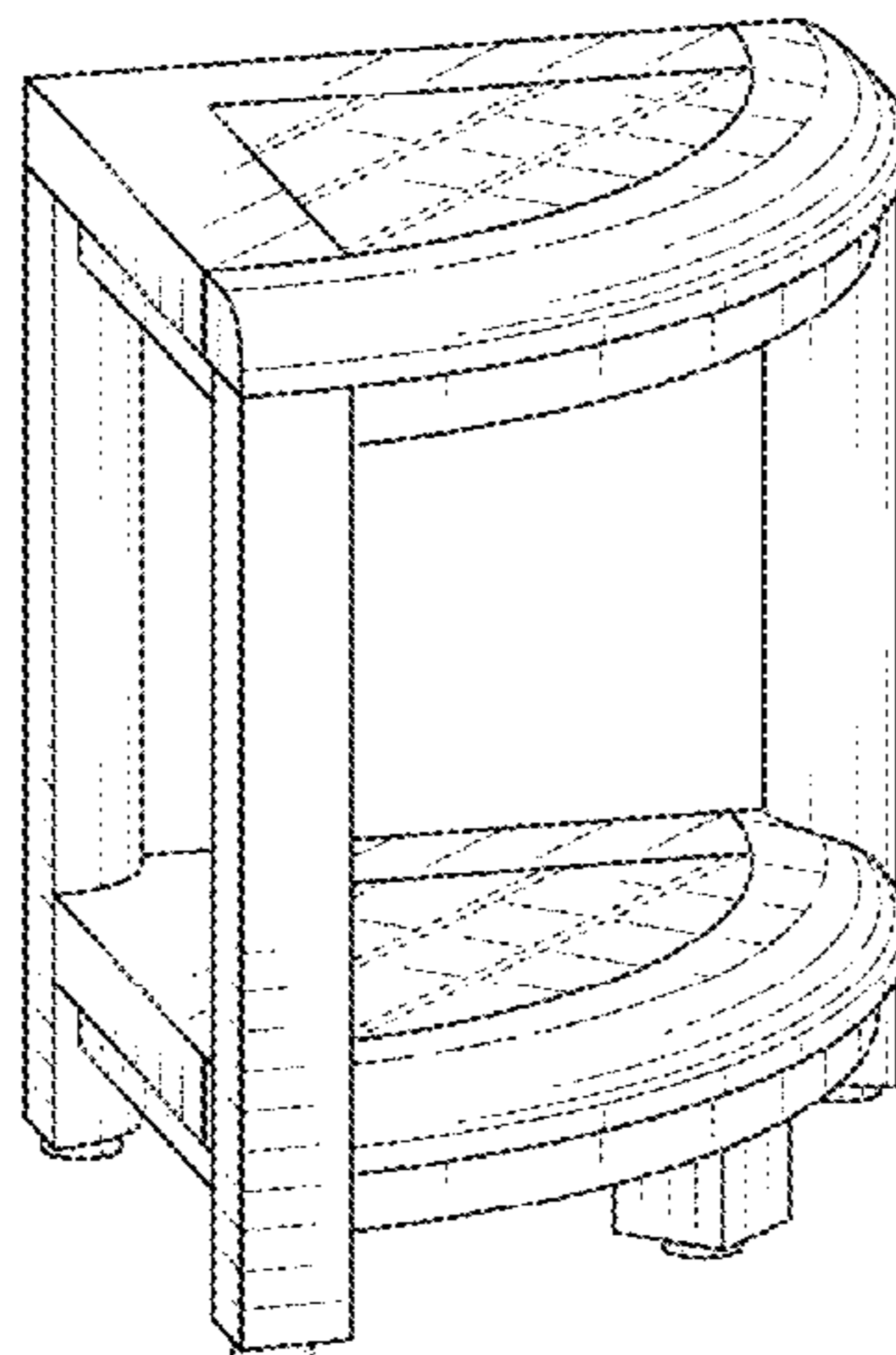


FIG. 18 is a side elevation view of the corner bench unit illustrated in FIG. 15.

FIG. 19 is another side elevation view of the corner bench unit illustrated in FIG. 15.

FIG. 20 is a top plan view of the corner bench unit illustrated in FIG. 15; and,

FIG. 21 is a bottom plan view of the bench illustrated in FIG. 15.

The broken lines in FIGS. 15-21 depict slats on the bench portion and the shelf of the corner bench unit and do not form a part of the claimed invention.

1 Claim, 12 Drawing Sheets

(58) **Field of Classification Search**

CPC A47J 47/16; A47G 19/02; A47G 23/06;
A47F 5/0018; A47F 5/0043; A47F 5/04;
B65D 1/00; B65D 99/008

See application file for complete search history.

(56)

References Cited

U.S. PATENT DOCUMENTS

D183,617	S	*	9/1958	Klein	D6/676.1
D304,398	S	*	11/1989	Goetz	D6/676.1
D307,083	S	*	4/1990	Knudsen	D6/676.1
D314,477	S	*	2/1991	Richter	D6/676.1
D321,296	S	*	11/1991	Miranda	D6/676.1
D325,137	S	*	4/1992	Porter	D6/676.1
D339,485	S	*	9/1993	James	D6/676.1
D382,733	S	*	8/1997	Goetz	D6/676.1
D454,266	S	*	3/2002	Kelley	D6/676.1
D516,846	S	*	3/2006	Stenhouse	D6/676.1
D701,714	S	*	4/2014	Gelman	D6/562
D713,181	S	*	9/2014	Cohen	D6/676.1
D716,083	S	*	10/2014	Hsu	D6/678.4
D727,043	S	*	4/2015	Cohen	D6/349
D761,600	S	*	7/2016	Hsu	D6/678.1
D818,746	S	*	5/2018	Carder	D6/677.1
D851,421	S	*	6/2019	Asselmann	D6/525
D861,397	S	*	10/2019	Cohen	D6/676.1
D878,117	S	*	3/2020	Gelman	D6/676.1
D885,093	S	*	5/2020	Gelman	D6/676.1

* cited by examiner

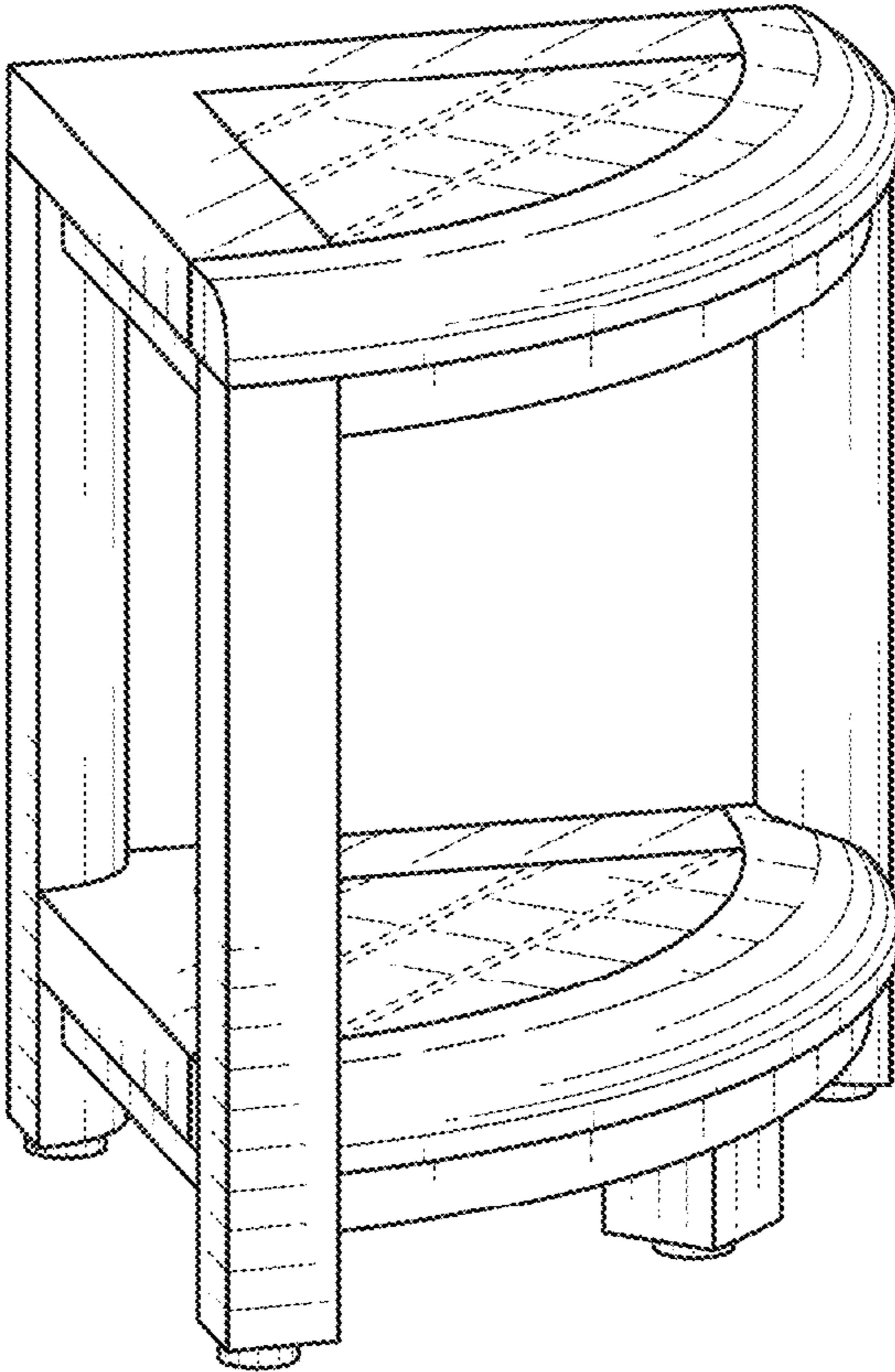


FIG. 1

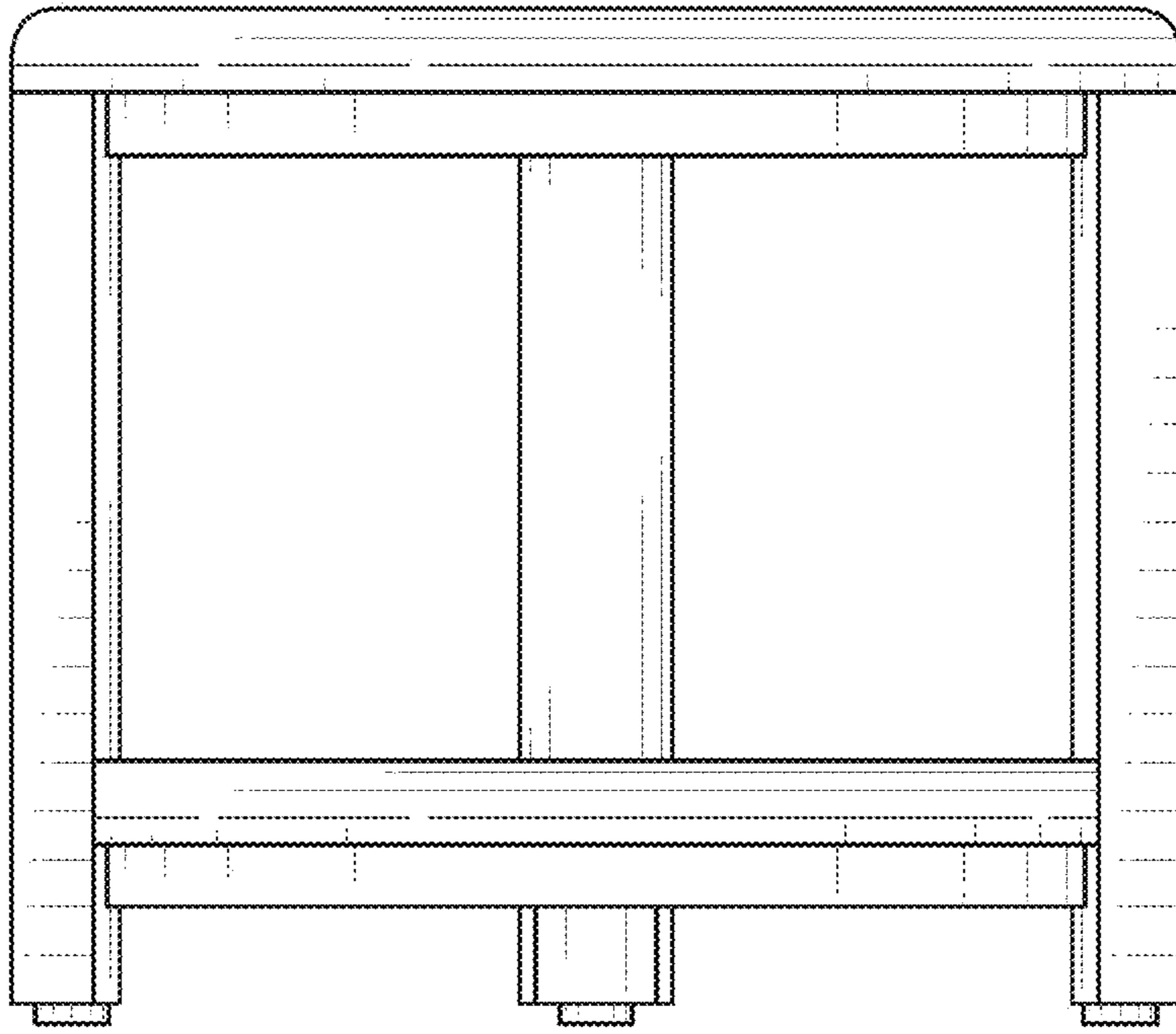


FIG. 2

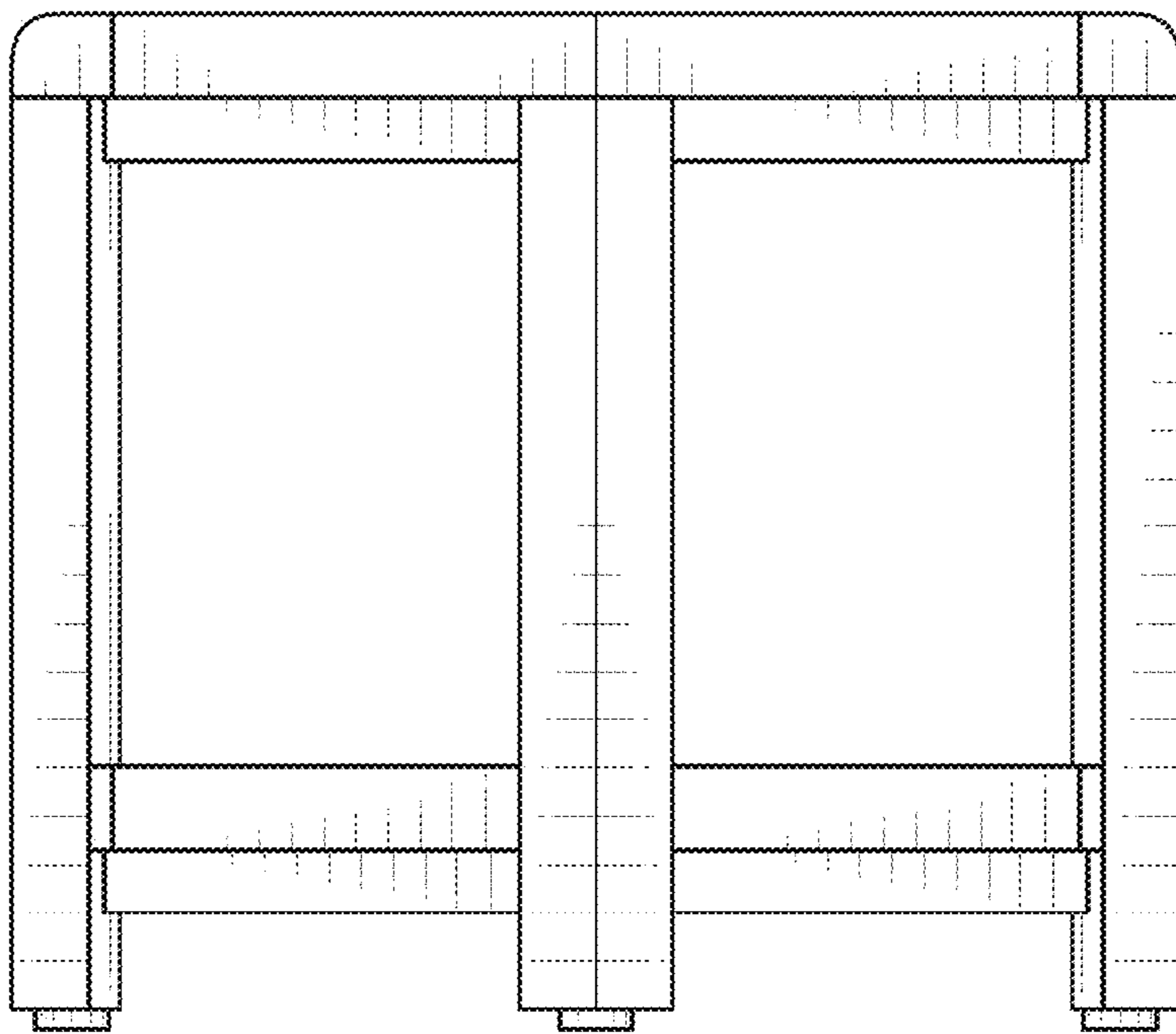


FIG. 3

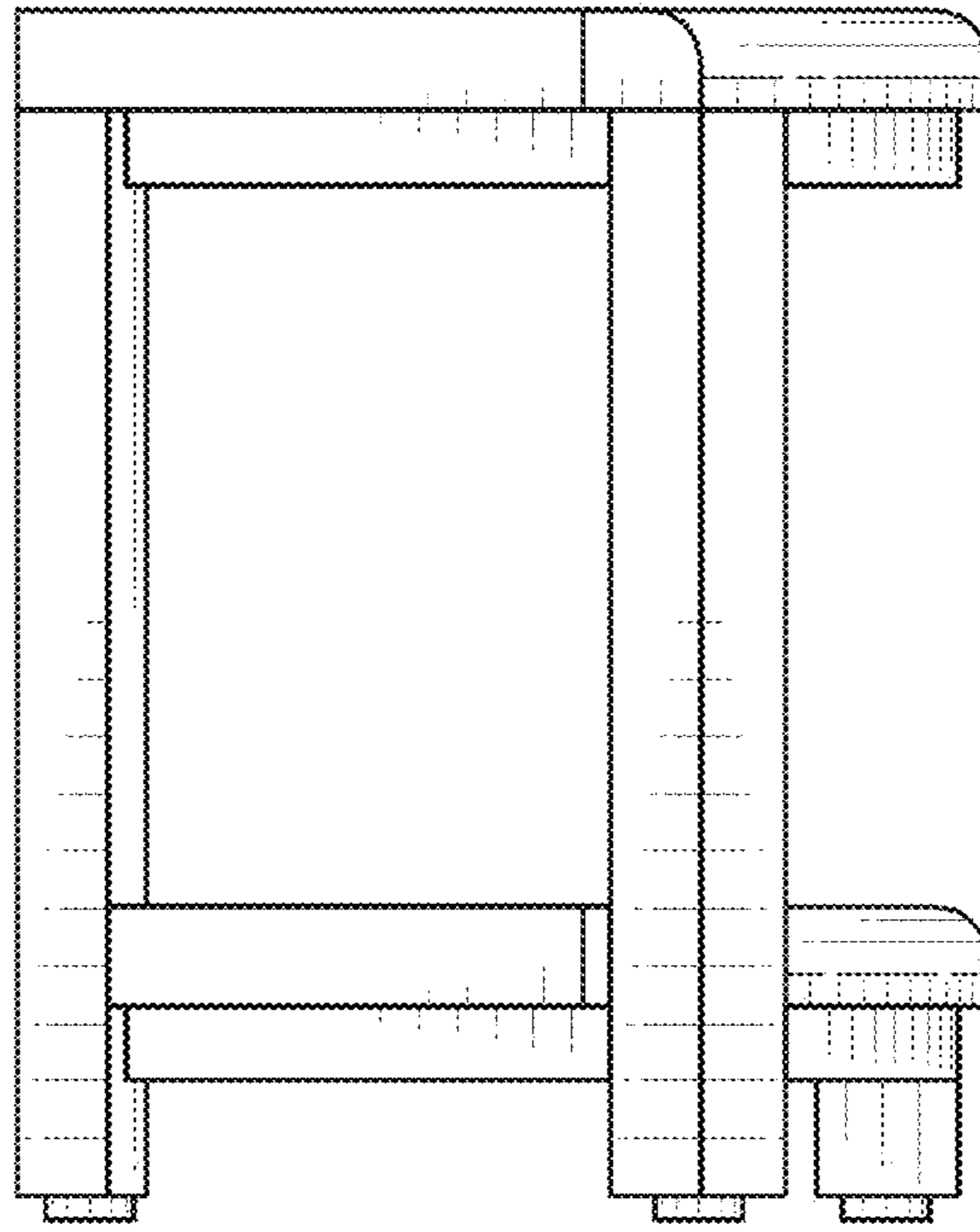


FIG. 4

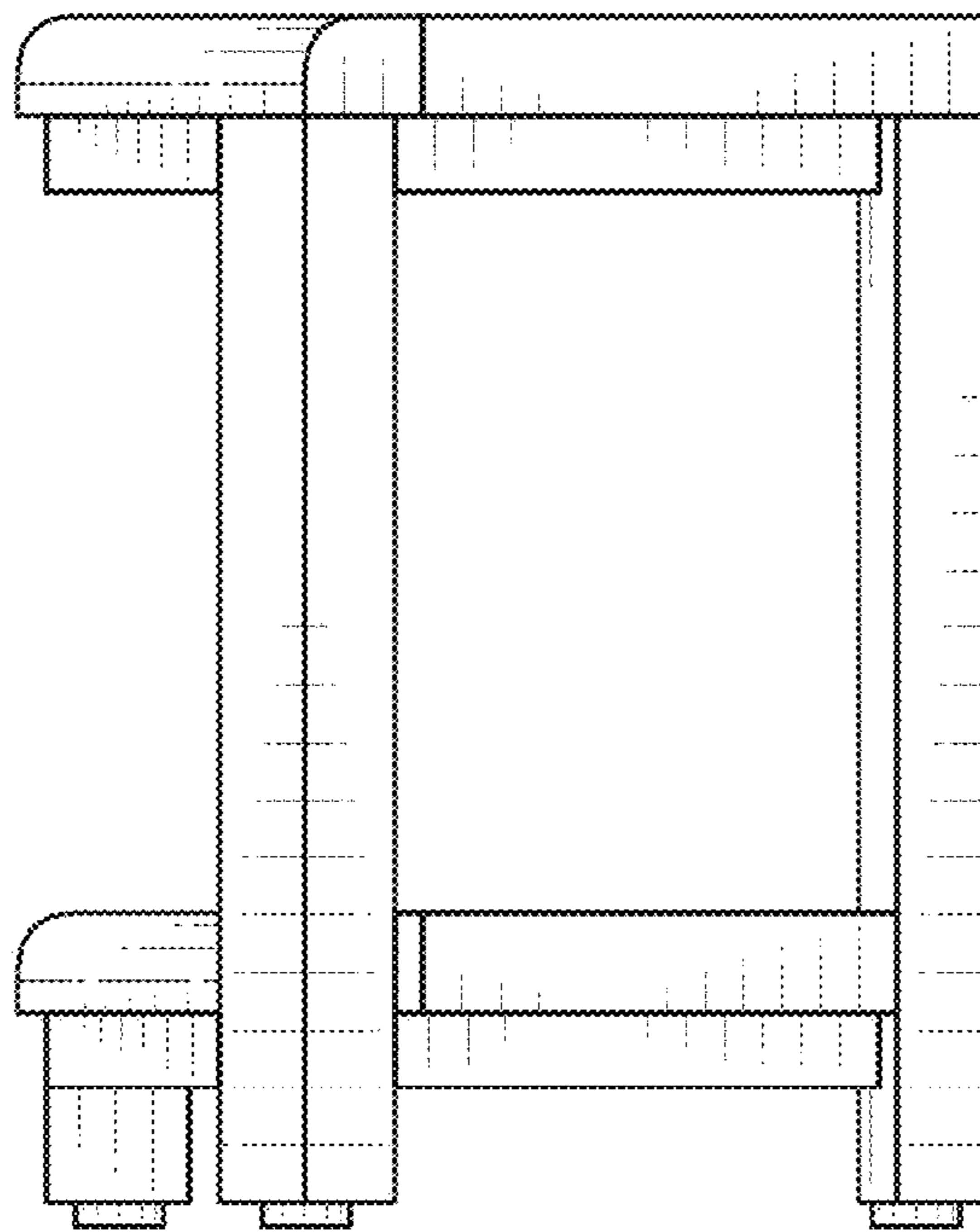


FIG. 5

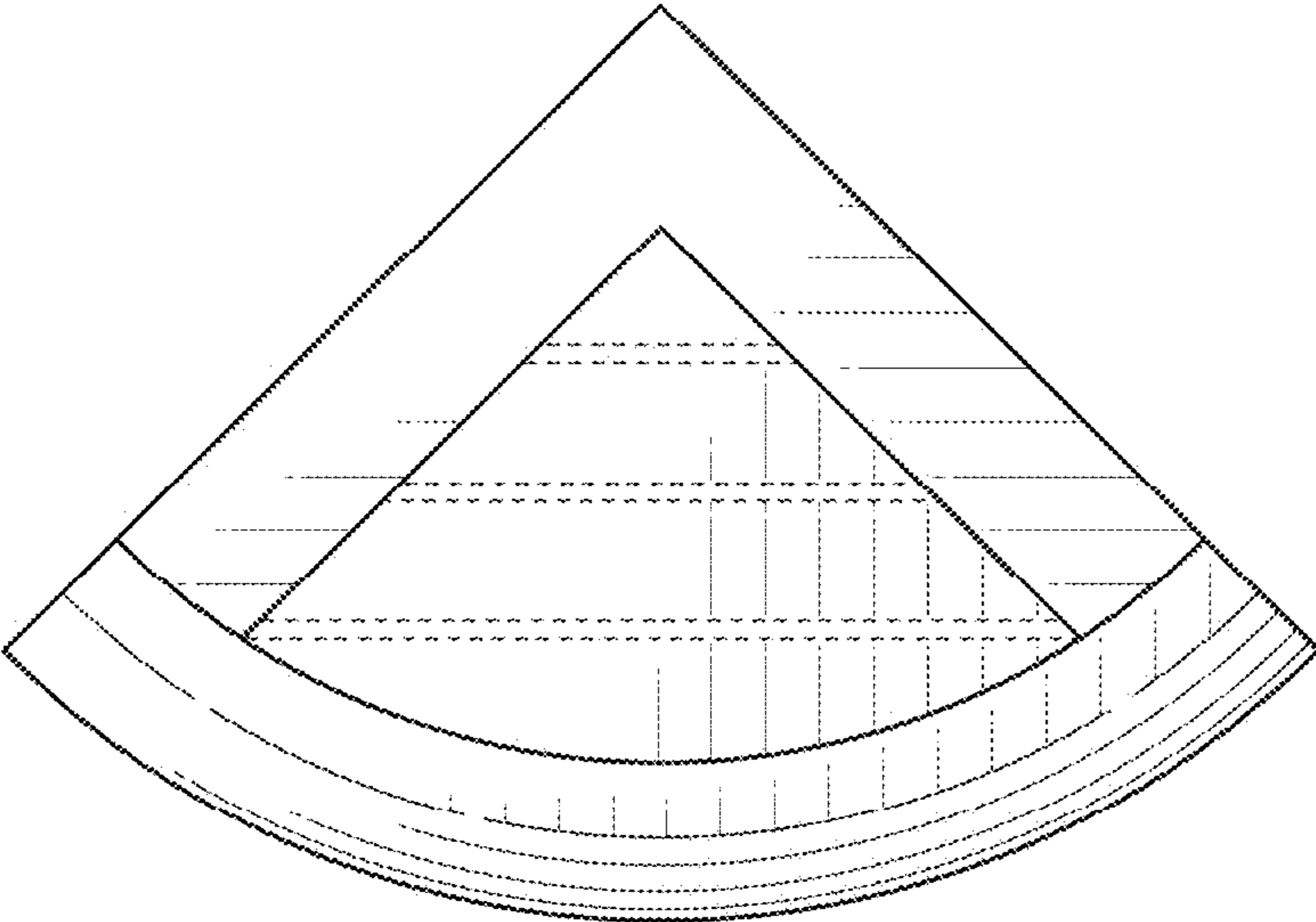


FIG. 6

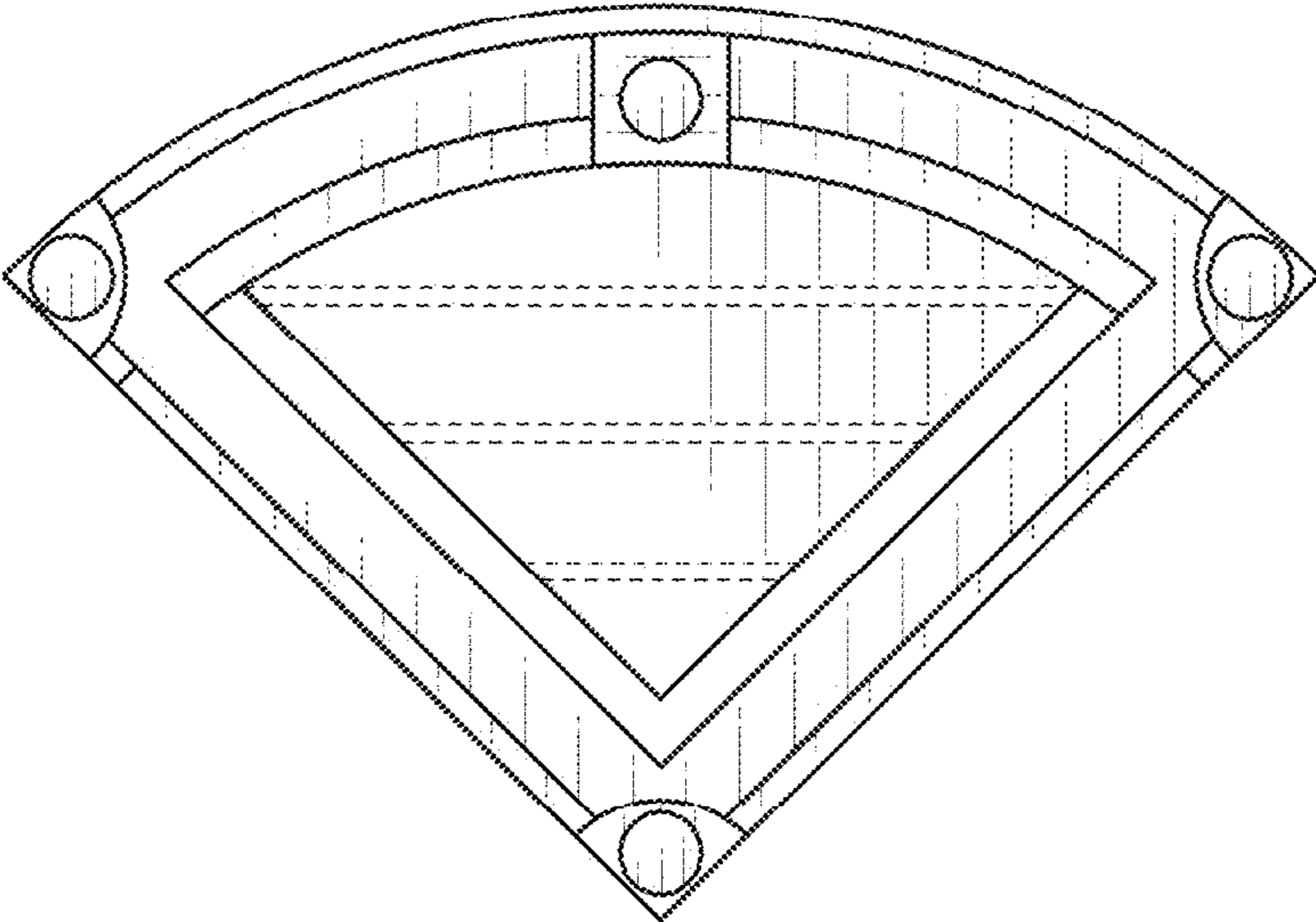


FIG. 7

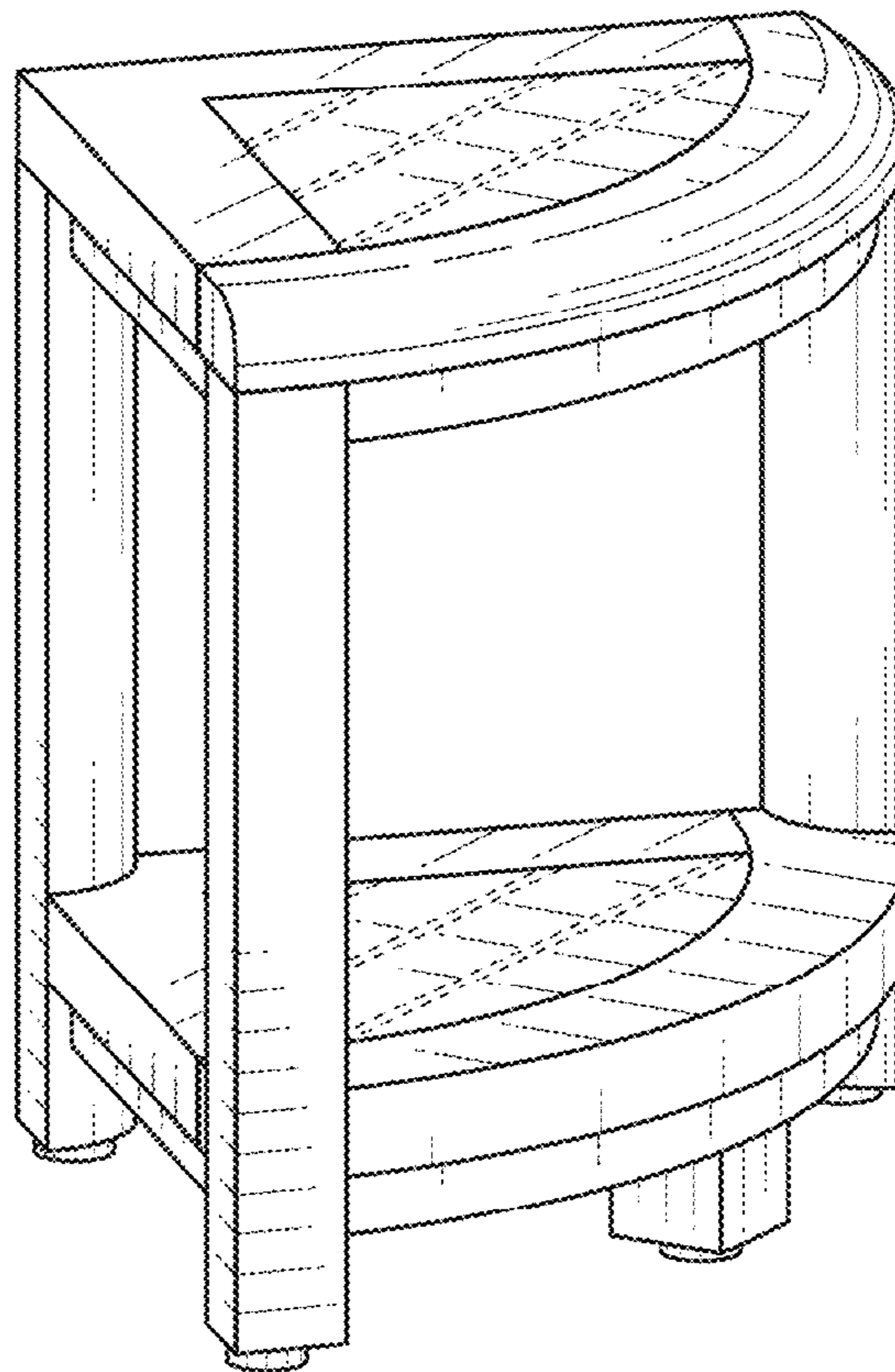


FIG. 8

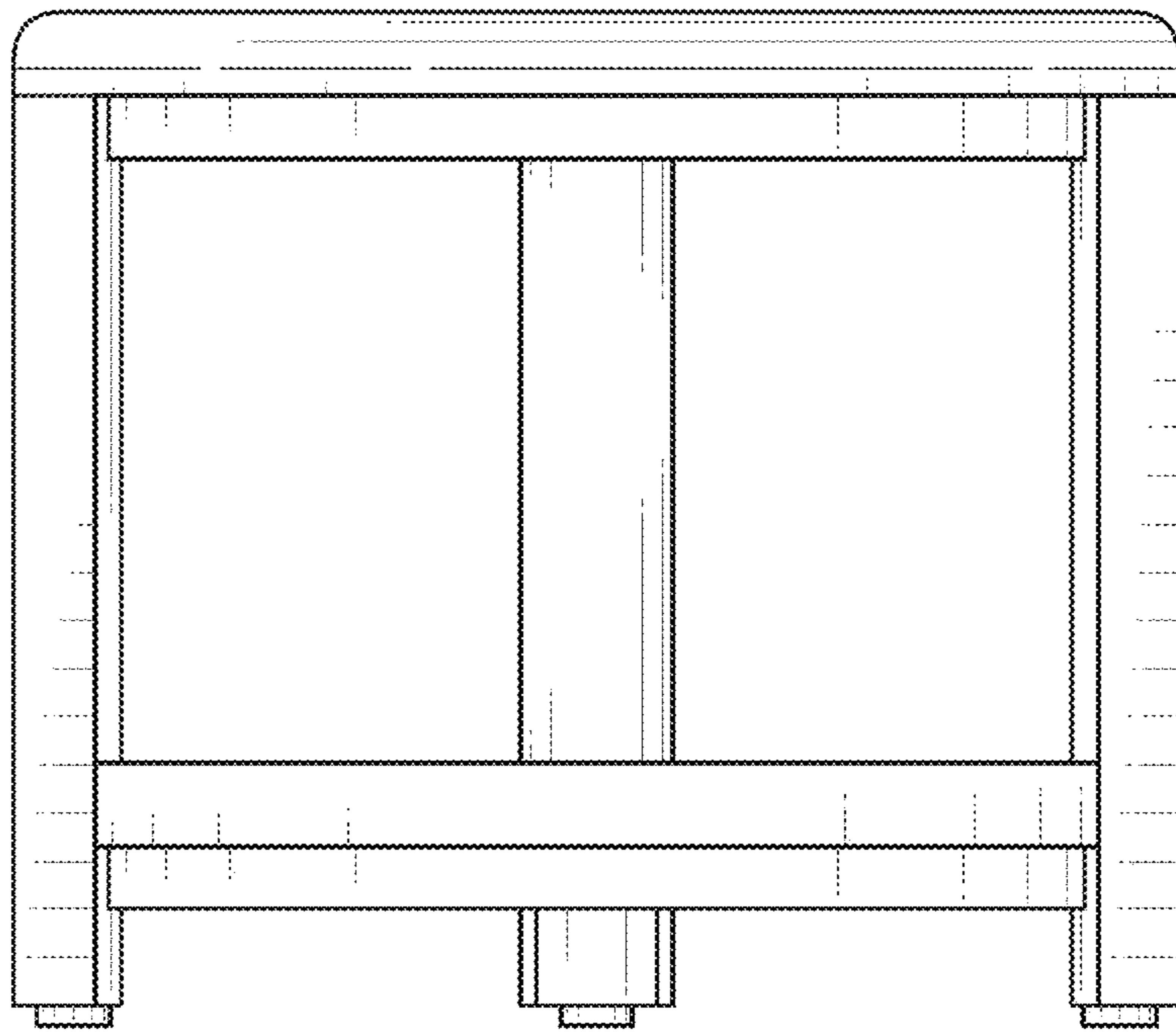


FIG. 9

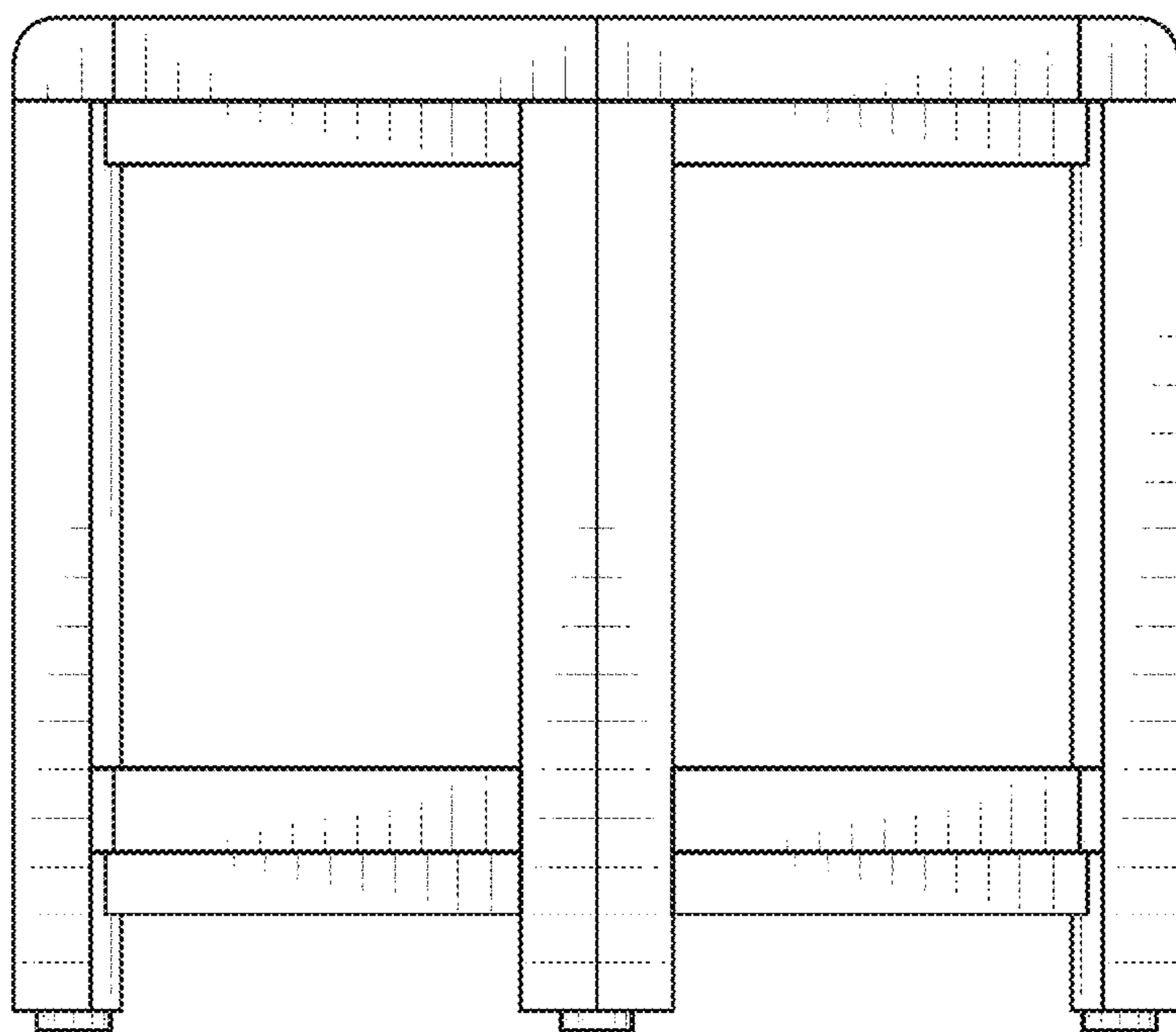


FIG. 10

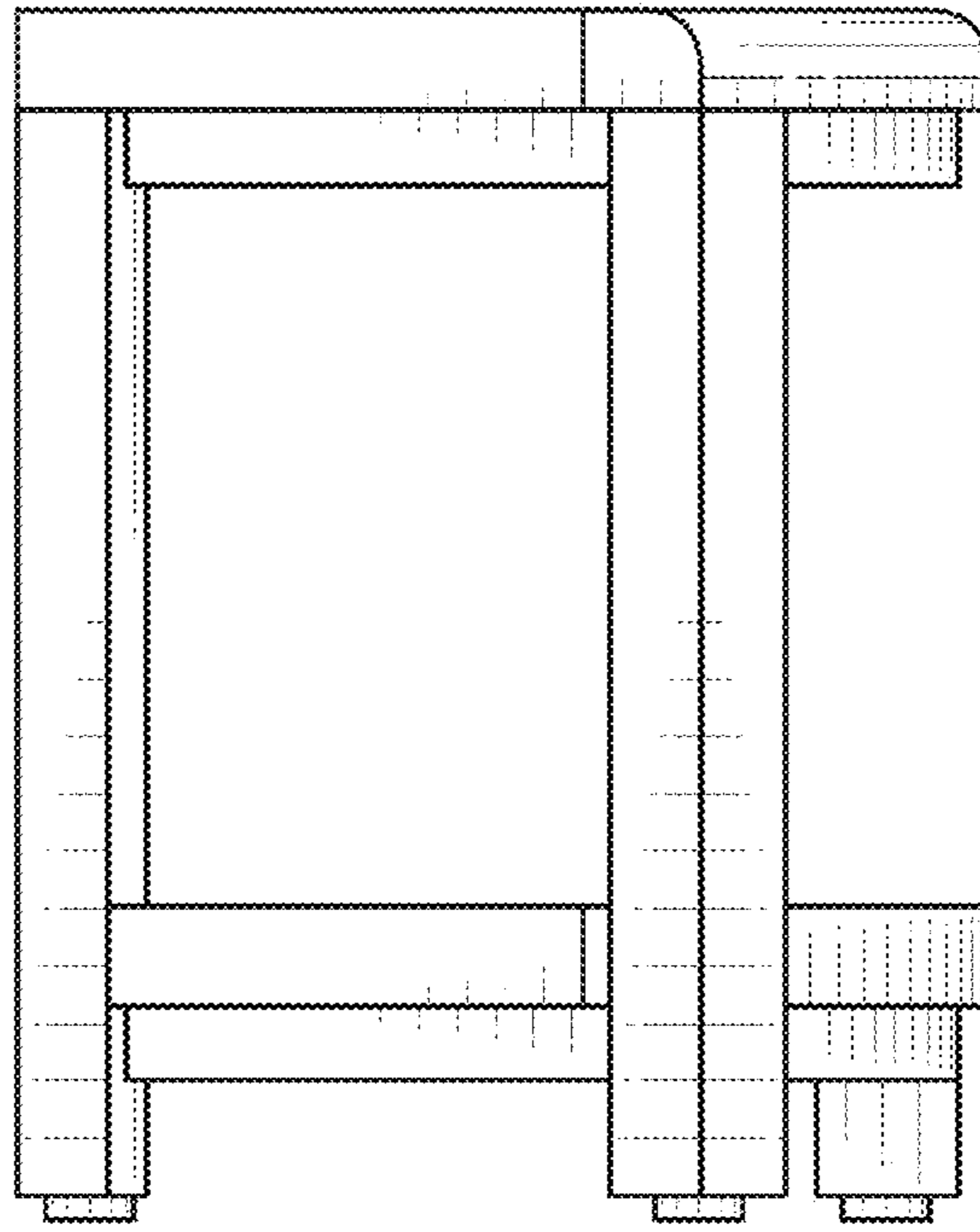


FIG. 11

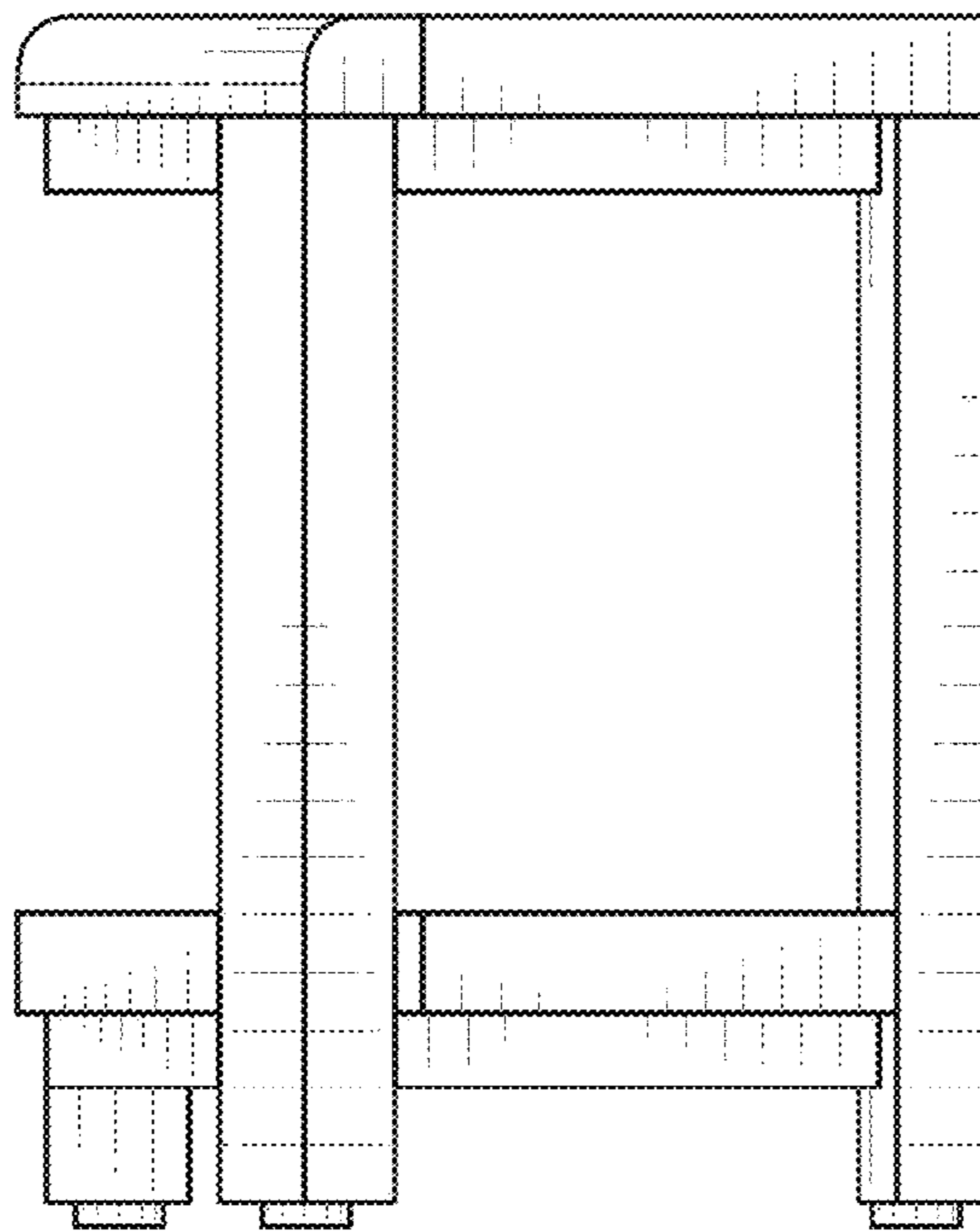


FIG. 12

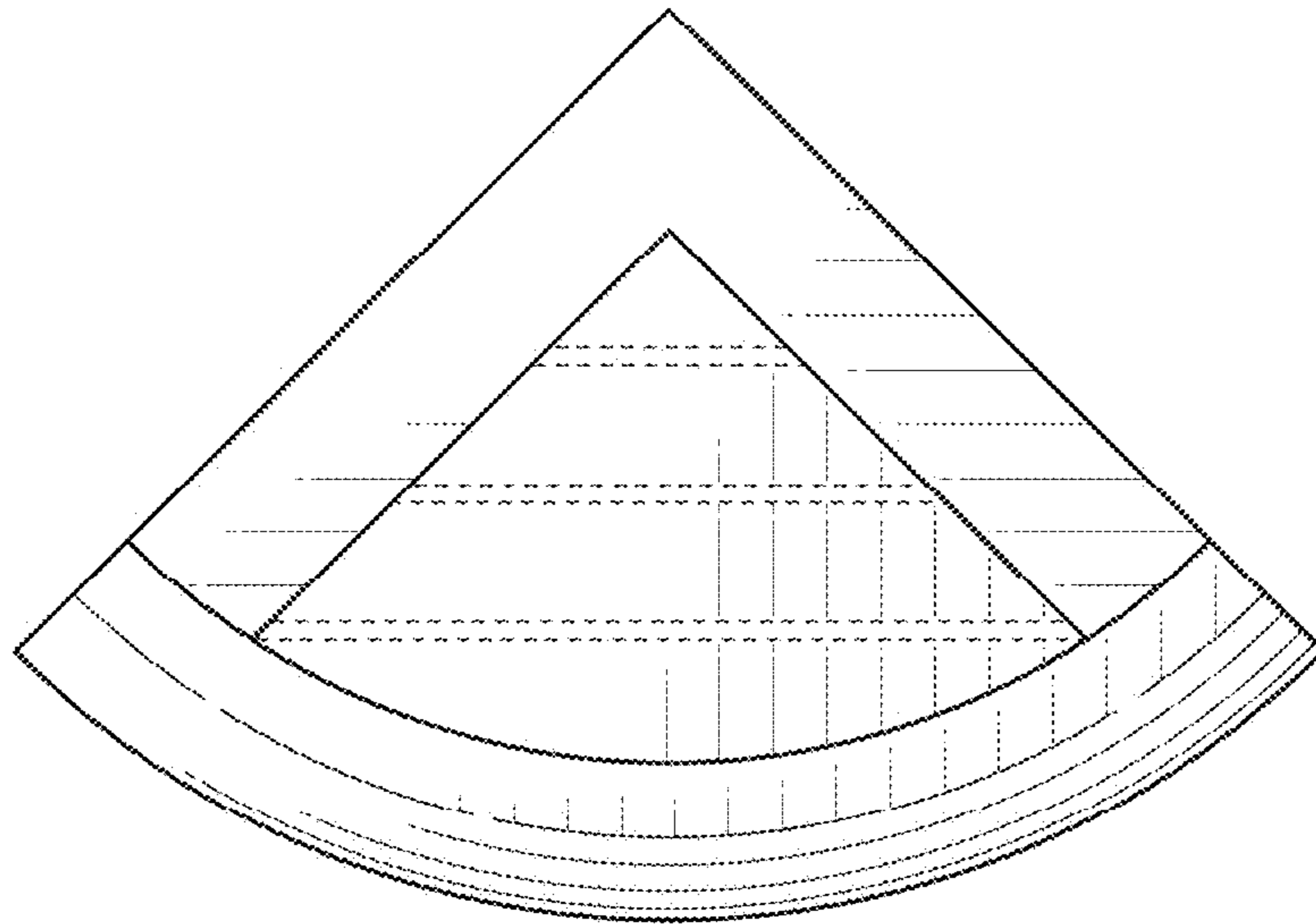


FIG. 13

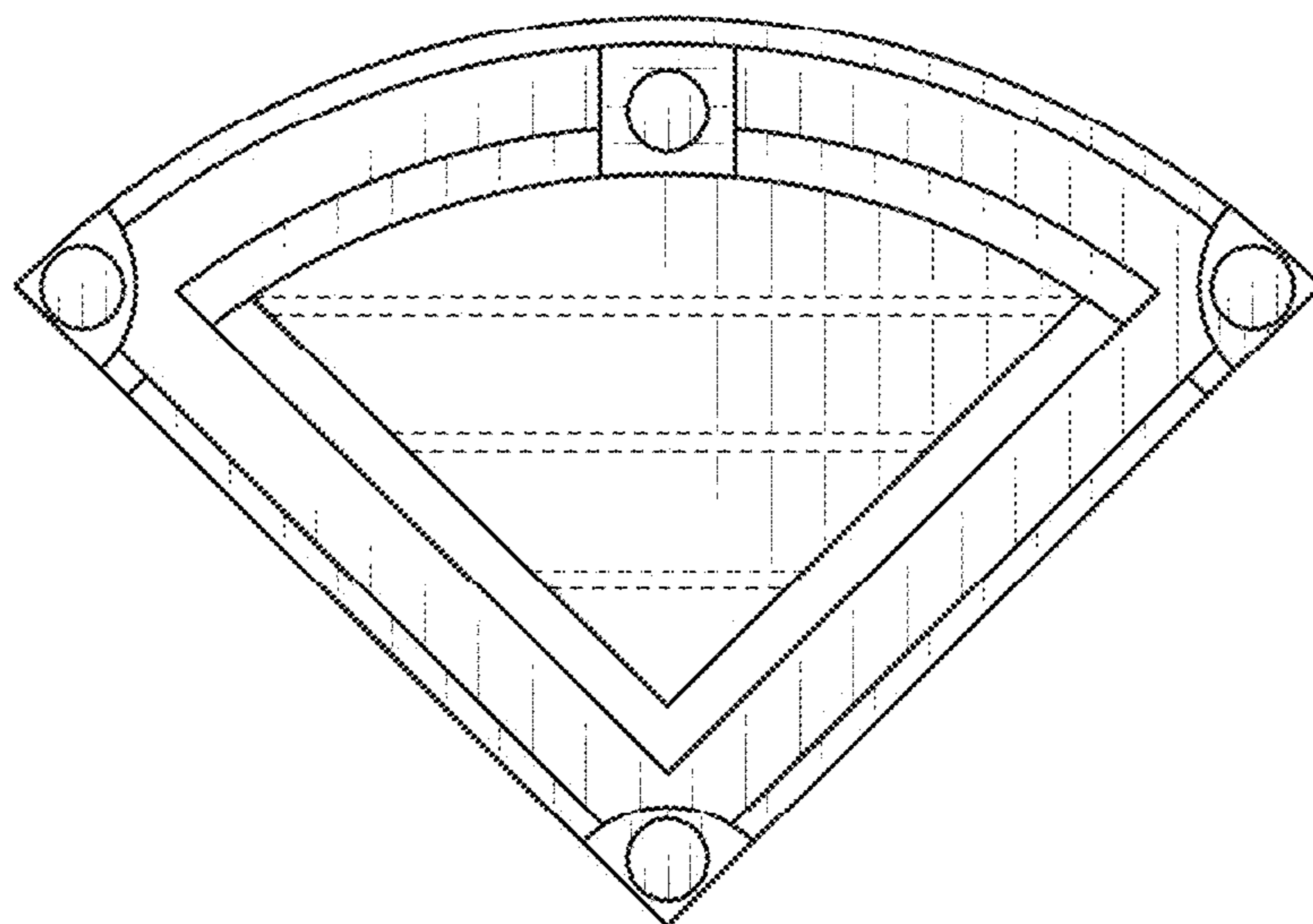


FIG. 14

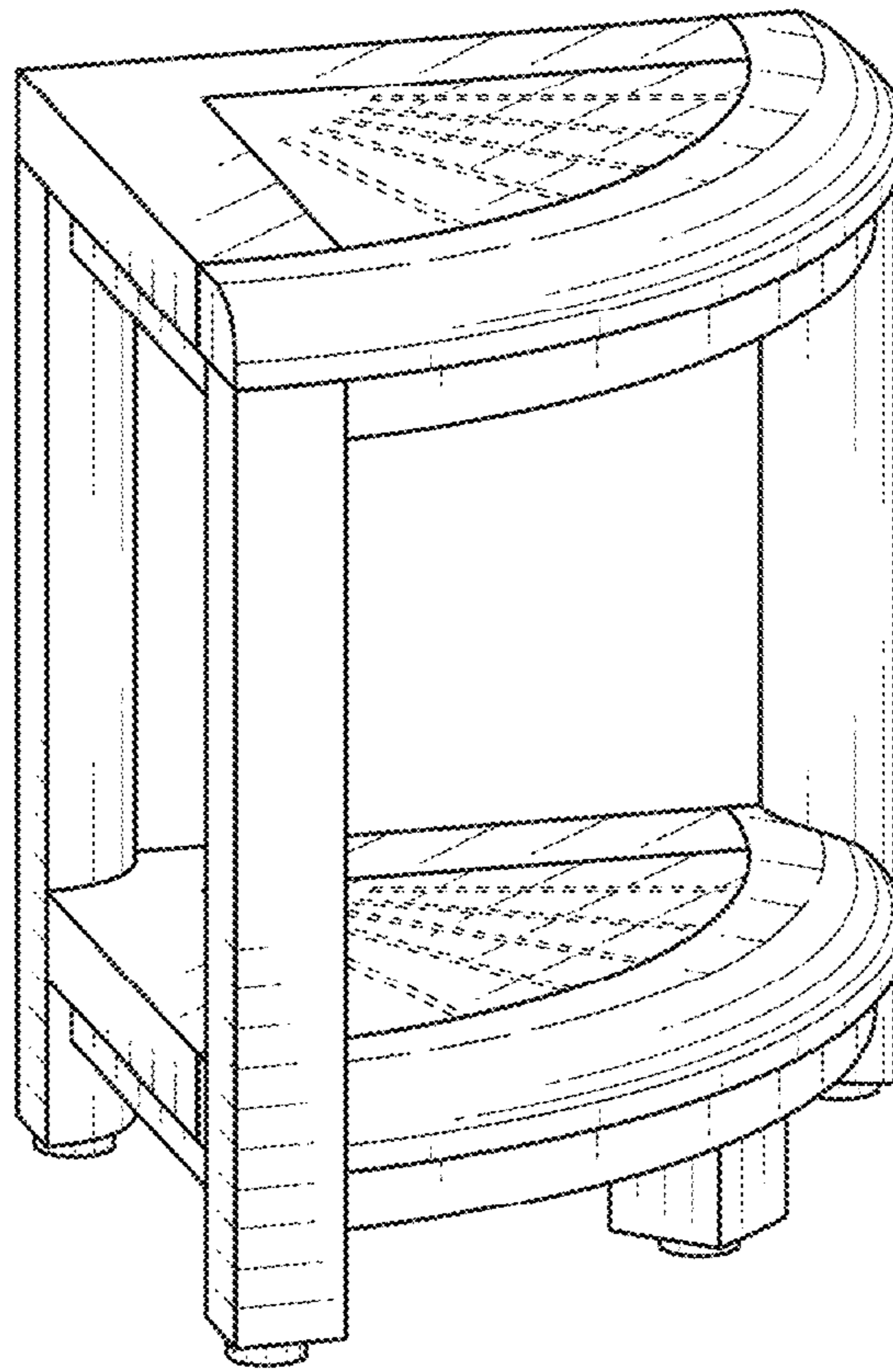


FIG. 15

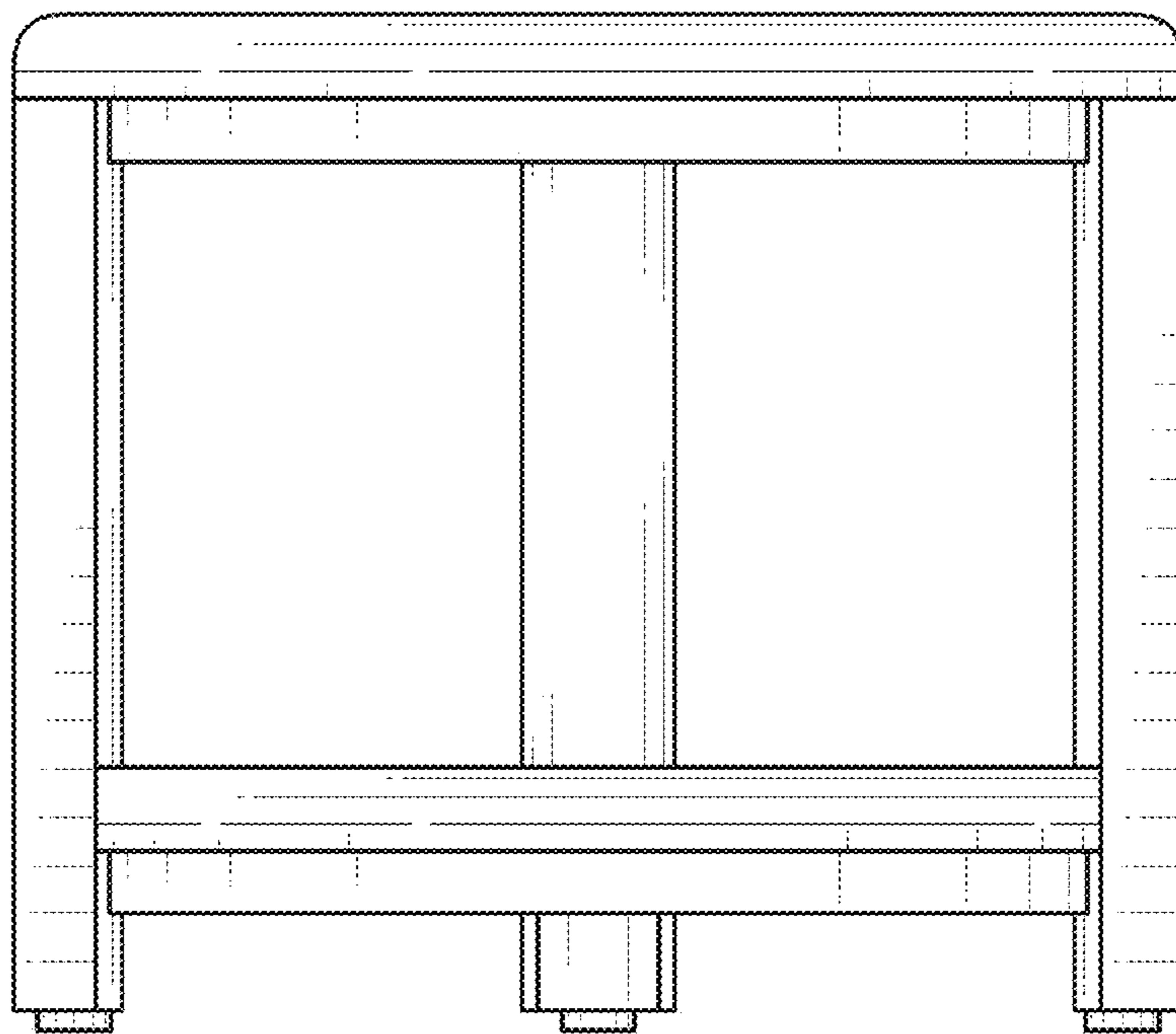


FIG. 16

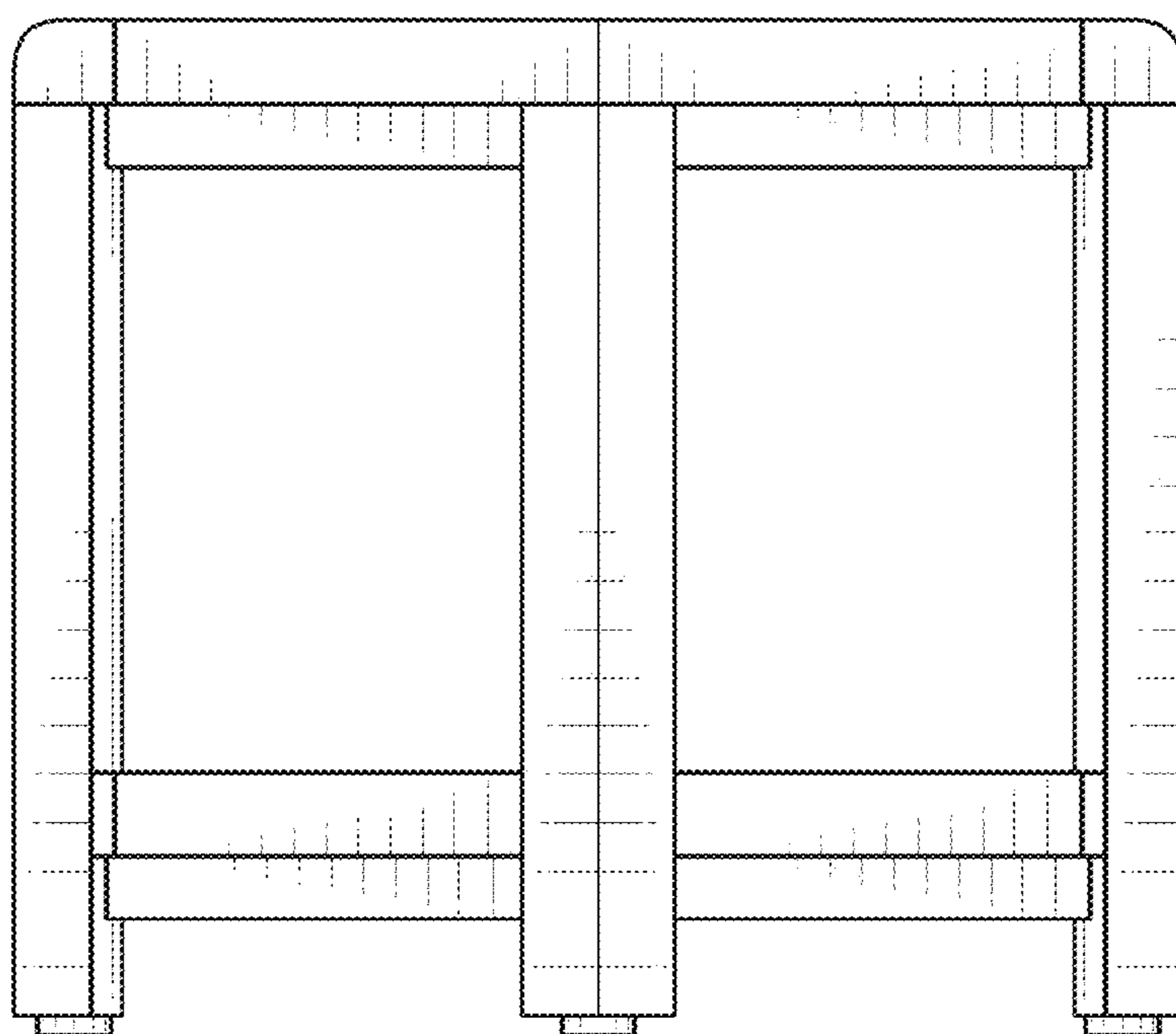


FIG. 17

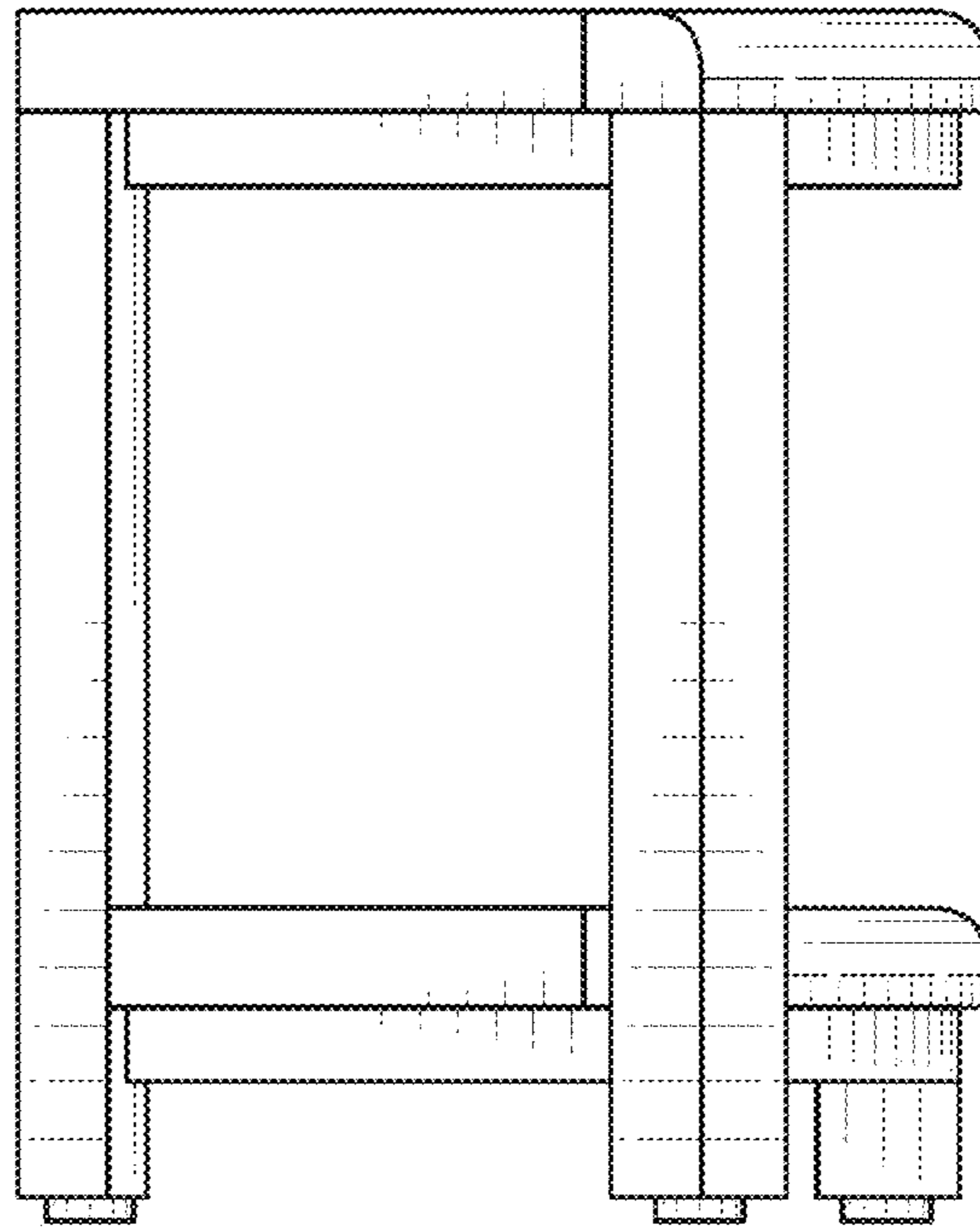


FIG. 18

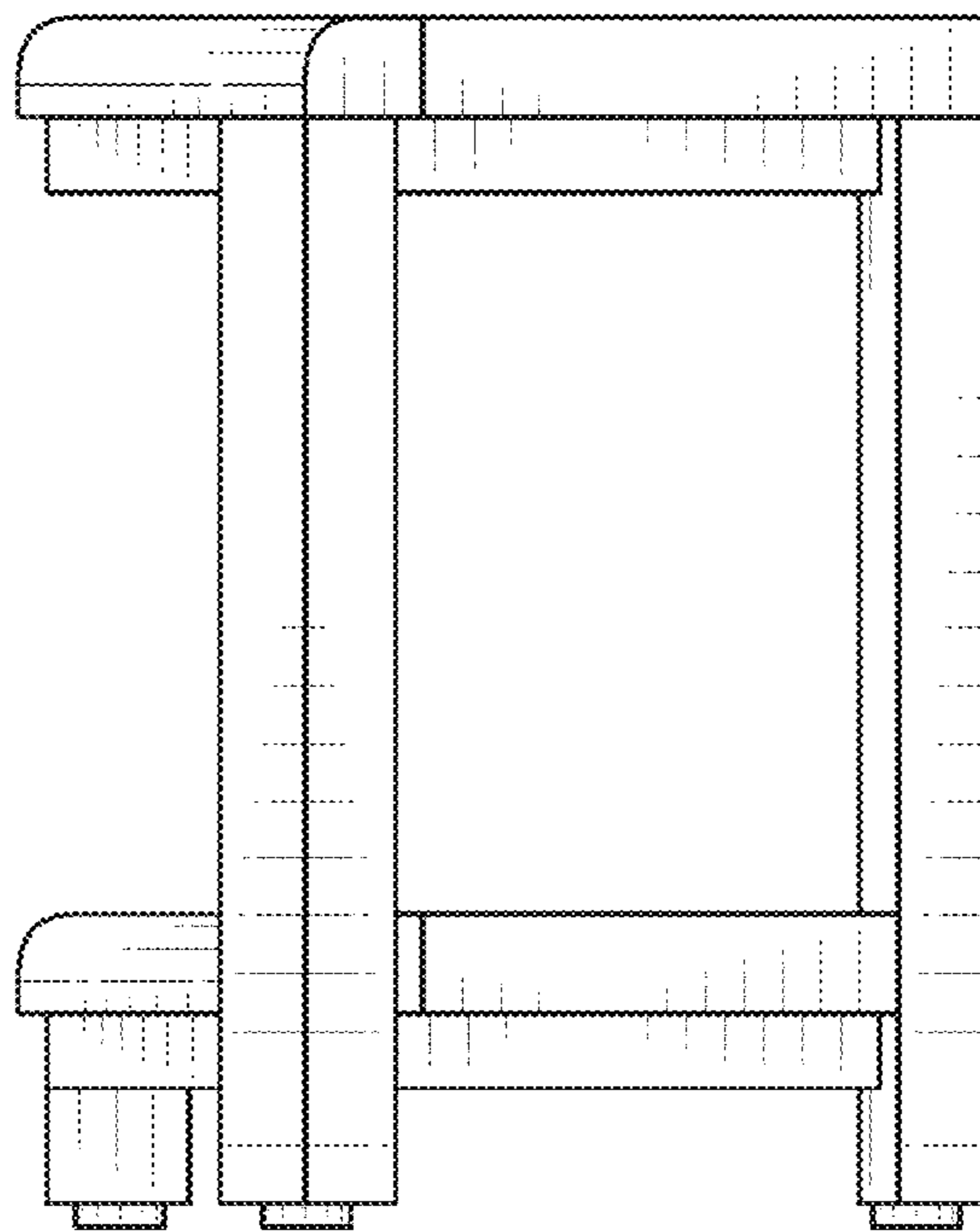


FIG. 19

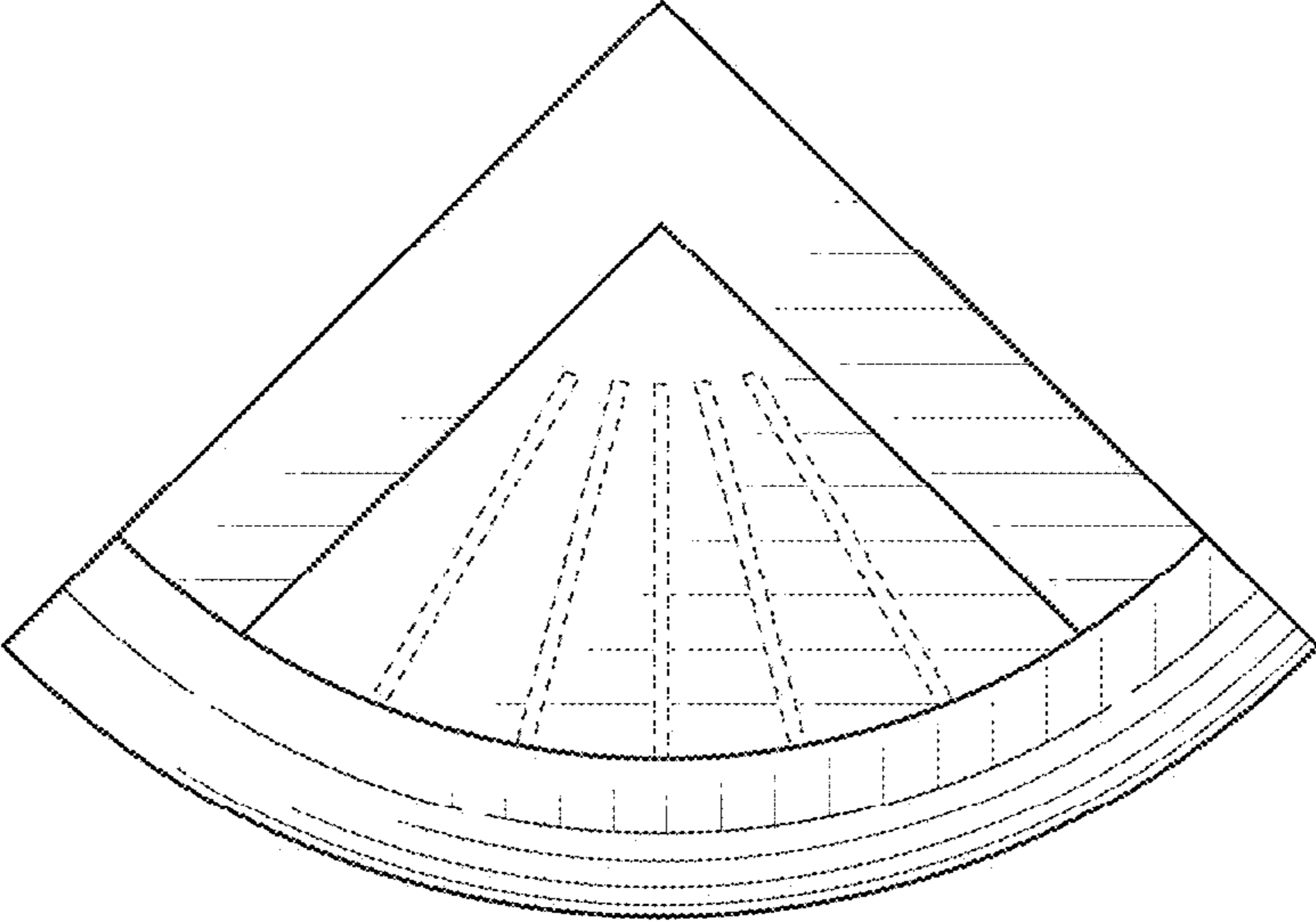


FIG. 20

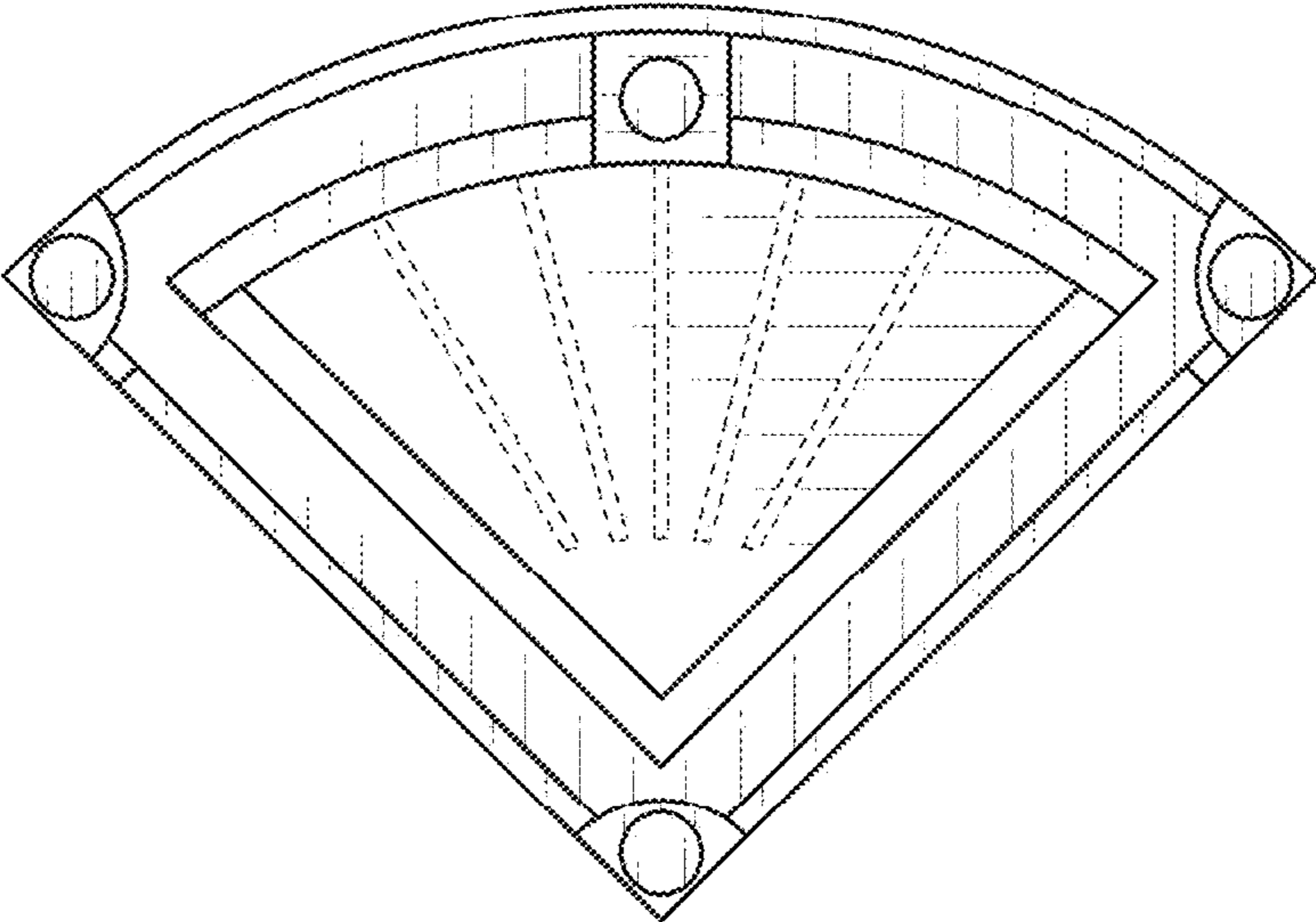


FIG. 21