



US00D923370S

(12) **United States Design Patent**
Davis et al.

(10) **Patent No.:** **US D923,370 S**
(45) **Date of Patent:** **** Jun. 29, 2021**

(54) **HALL TREE**

(71) Applicant: **WALKER EDISON FURNITURE COMPANY LLC**, Salt Lake City, UT (US)

(72) Inventors: **Matthew Davis**, Murray, UT (US);
Brad Bonham, Draper, UT (US);
Richard A. Packer, Kaysville, UT (US)

(73) Assignee: **Walker Edison Furniture Company LLC**, West Jordan, UT (US)

(**) Term: **15 Years**

(21) Appl. No.: **29/677,745**

(22) Filed: **Jan. 23, 2019**

(51) **LOC (13) Cl.** **20-02**

(52) **U.S. Cl.**
USPC **D6/675.3**

(58) **Field of Classification Search**
USPC D6/552, 672, 675, 675.1, 675.2, 675.3, 675.4, 675.5, 335, 343, 396, 397, 657, 661, 663, 664, 670, 673, 680.2, 680.3, 681, 681.1, 681.2, 682, 682.4, 699.1, D6/702
CPC A47B 47/00; A47B 47/02; A47B 47/04; A47B 47/021; A47B 57/00; A47B 57/406; A47B 96/00; A47B 96/02; A47B 61/04; A47F 1/00; A47F 7/24
See application file for complete search history.

(56) **References Cited**

U.S. PATENT DOCUMENTS

D49,624 S 9/1916 Rought et al.
1,687,613 A 10/1928 Hernacki
1,776,471 A 9/1930 Kelly
2,614,702 A 10/1952 Riblet
3,045,831 A 7/1962 Pendergrast
D205,666 S 9/1966 Magnuson

D213,809 S 4/1969 Redman
D216,380 S 12/1969 Redman
3,565,020 A 10/1971 Schier
D235,296 S 6/1975 Ginat
D237,231 S 10/1975 Wells et al.
(Continued)

OTHER PUBLICATIONS

U.S. Appl. No. 29/656,483, filed Jul. 12, 2018, Davis.
(Continued)

Primary Examiner — Christian P. Mclean
Assistant Examiner — Adam C Mager
(74) *Attorney, Agent, or Firm* — Workman Nydegger

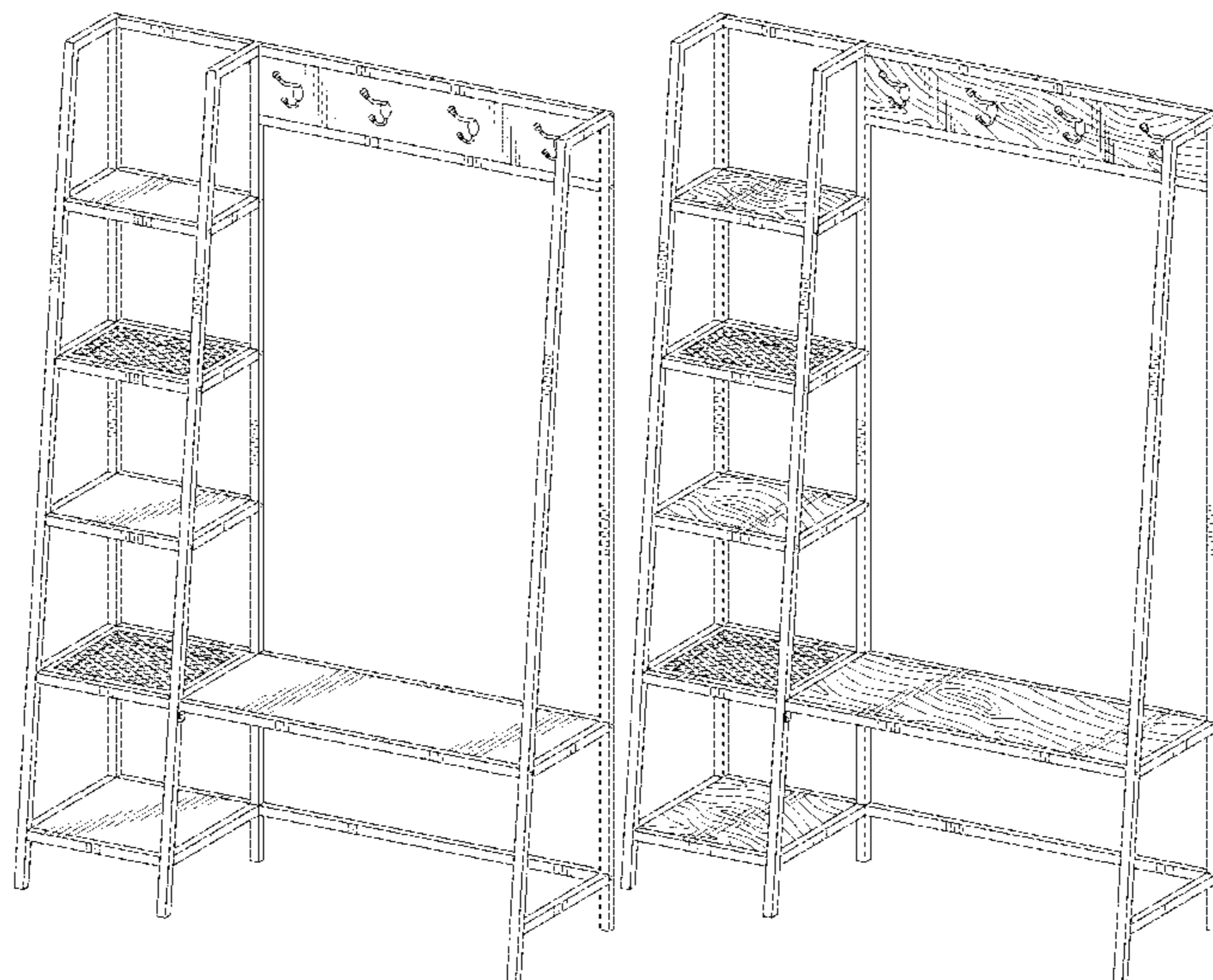
(57) **CLAIM**

The ornamental design for a hall tree, as shown and described.

DESCRIPTION

FIG. 1 is a front perspective view of a first embodiment of a hall tree showing the new design;
FIG. 2 is a front elevation view thereof;
FIG. 3 is a back elevation view thereof;
FIG. 4 is a top plan view thereof;
FIG. 5 is a bottom plan view thereof;
FIG. 6 is a right elevation view thereof;
FIG. 7 is a left elevation view thereof;
FIG. 8 is another front perspective view of a second embodiment of a hall tree showing the new design;
FIG. 9 is a front elevation view thereof;
FIG. 10 is a back elevation view thereof;
FIG. 11 is a top plan view thereof;
FIG. 12 is a bottom plan view thereof;
FIG. 13 is a right elevation view thereof; and,
FIG. 14 is a left elevation view thereof.
The broken lines in the drawings are for the purpose of illustrating portions of the hall tree that form no part of the claimed design.

1 Claim, 8 Drawing Sheets



(56)

References Cited

U.S. PATENT DOCUMENTS

D237,931 S 12/1975 Bradenfels
 D244,913 S 7/1977 Bradenfels
 D247,592 S 3/1978 Eisen
 D248,915 S 8/1978 Bradenfels
 D249,618 S 9/1978 Oxenhandler
 D255,189 S 6/1980 Zapf
 D259,007 S 4/1981 Schuckenbrock
 4,905,609 A 3/1990 Haskins
 D311,099 S 10/1990 Yau Kee
 D319,156 S 8/1991 Cugley
 5,240,127 A 8/1993 Levin
 D345,454 S 3/1994 Hauglin
 D363,623 S 10/1995 Rushing
 D363,834 S 11/1995 Thompson
 D369,035 S 4/1996 Potter
 D372,105 S 7/1996 Plotner
 D382,513 S 8/1997 Bozzone
 D391,421 S 3/1998 Steelman
 D400,375 S 11/1998 Peng-Hui
 D415,365 S 10/1999 Nicklas
 D436,263 S 1/2001 Alcalá
 D491,749 S 6/2004 Malizia
 D492,861 S 7/2004 Lenger
 D498,962 S 11/2004 Moon
 D505,274 S 5/2005 Lai
 D512,585 S 12/2005 Rozenboom
 D527,208 S 8/2006 Malizia
 D541,557 S 5/2007 Weatherly
 D560,933 S 2/2008 Sexton
 D582,188 S 12/2008 Martin
 D591,086 S * 4/2009 Karsson D6/675.3
 D591,533 S * 5/2009 Karsson D6/675.3
 7,641,294 B1 1/2010 Goldberg
 D609,501 S 2/2010 Sexton
 D613,967 S 4/2010 Sexton
 D614,421 S 4/2010 Sexton
 D614,888 S 5/2010 Sexton
 D620,729 S 8/2010 Snider
 D624,200 S 9/2010 Kieffer
 D632,900 S 2/2011 Goldberg
 D643,232 S 8/2011 Wagner
 D653,475 S 2/2012 Thompson
 D660,614 S 5/2012 Palmeiri
 D664,731 S 7/2012 Martin
 D679,115 S 4/2013 Chavez
 D685,851 S 7/2013 Offenkrantz
 D716,080 S 10/2014 Bell
 D735,412 S 7/2015 Coleman
 D747,124 S 1/2016 O'Donnell
 9,332,838 B1 5/2016 Kilday
 D760,516 S 7/2016 Yu
 D779,240 S 2/2017 Tio
 D784,738 S 4/2017 Wang
 D785,981 S 5/2017 Kimmich
 D805,329 S 12/2017 Rockwell
 D808,200 S 1/2018 Davis
 D808,203 S * 1/2018 Davis D6/675.3
 D817,039 S 5/2018 Adolph
 D819,374 S 6/2018 Kuehn
 D829,473 S 10/2018 Mical

D852,555 S 7/2019 Fenneman
 D853,762 S 7/2019 Tucker
 D860,689 S * 9/2019 Davis D6/672
 D864,625 S 10/2019 Rockwell
 D864,627 S 10/2019 Rockwell
 D871,116 S * 12/2019 Li D6/675.1
 D874,191 S 2/2020 Qi
 D878,115 S 3/2020 Rau
 D883,719 S 5/2020 Li
 D885,806 S 6/2020 Rockwell
 10,689,793 B2 6/2020 Glass

OTHER PUBLICATIONS

U.S. Appl. No. 29/656,495, filed Jul. 12, 2018, Davis.
 U.S. Appl. No. 29/677,750, filed Jan. 23, 2019, Davis.
 Jossandmain.com; Hall trees, site visited Apr. 23, 2019 <https://www.jossandmain.com/furniture/pdp/savarese-hall-tree-qpvr8639.html?refid=SBP.rBAZI1bbsDRuWni7P5NMAh1HWtn0UPzia1pwElxr11>.
 Wayfair.com; Faulk Desk with Hutch, site visited Apr. 24, 2019, <https://www.wayfair.com/furniture/pdp/wrough-studio-faulk-desk-with-hutch-vark6889.html?piid=&experientype=1>.
 Wayfair.com; Cecil Solid Wood Leaning/Ladder Desk, site visited Apr. 24, 2019; <https://www.wayfair.com/furniture/pdp/17-stories-cecil-leaningladder-desk-stss1472.html?piid=&experientype=1>.
 Wayfair.com; Ladder Desk, site visited Apr. 24, 2019; <https://www.wayfair.com/furniture/pdp/monarch-specialties-inc-ladder-desk-mnq2850.html?&experientype=1>.
 U.S. Appl. No. 29/694,776, filed Jun. 13, 2019, Davis.
 U.S. Appl. No. 29/656,495, Jun. 26, 2019, Notice of Allowance. Wilmette Cherry Desk with Shelves, by Flash Furniture—The Classy Home <https://www.theclassyhonne.com/Product/FLF-NAN-JN-21711-GG/Flash+Furniture+Wilmette+Cherry+Desk+with-FShelves>; retrieved from the internet on May 17, 2020.
 Mid Century Modular Elias Desk With Shelf—Cost Plus World Market <https://www.worldnmarket.com/product/nnid+century+nmodular+elias+desk+with+shelf.do?sortby=ourPicks&fronn=fn> retrieved from the internet on May 17, 2020.
 Designa Computer Desk with Bookshelf—Amazon.com https://www.amazon.com/dp/B081DXDXW1/ref=sspa_dk_detail_3?psc=1&pd_rd_i=B081DXDX; retrieved from the internet on May 17, 2020.
 U.S. Appl. No. 29/677,750, May 21, 2020, Office Action. Potterybarn.com; Declan Entry Hall Tree, Burnished Pine; potterybarn.com/products/declan-entry-hall-tree/?isx=0.2 ; site visited Jun. 12, 2019.
 U.S. Appl. No. 29/694,776, Sep. 25, 2020, Office Action.
 U.S. Appl. No. 29/699,086, Dec. 23, 2020, Notice of Allowance. Walker Edison Solid Wood Angled Hall Tree, <https://www.totallyfurniture.com/68-solid-wood-angled-hall-tree-brown-walker-edison-ht68frabr> (Year: 2020).
 Office Action for U.S. Appl. No. 29/699,086, dated Sep. 9, 2020.
 Notice of Allowance for U.S. Appl. No. 29/656,483, dated Sep. 11, 2020.
 Corrected Notice of Allowance for U.S. Appl. No. 29/656,483, dated Sep. 23, 2020.
 Notice of Allowance for U.S. Appl. No. 29/677,750, dated Sep. 14, 2020.
 Corrected Notice of Allowance for U.S. Appl. No. 29/677,750, dated Sep. 24, 2020.

* cited by examiner

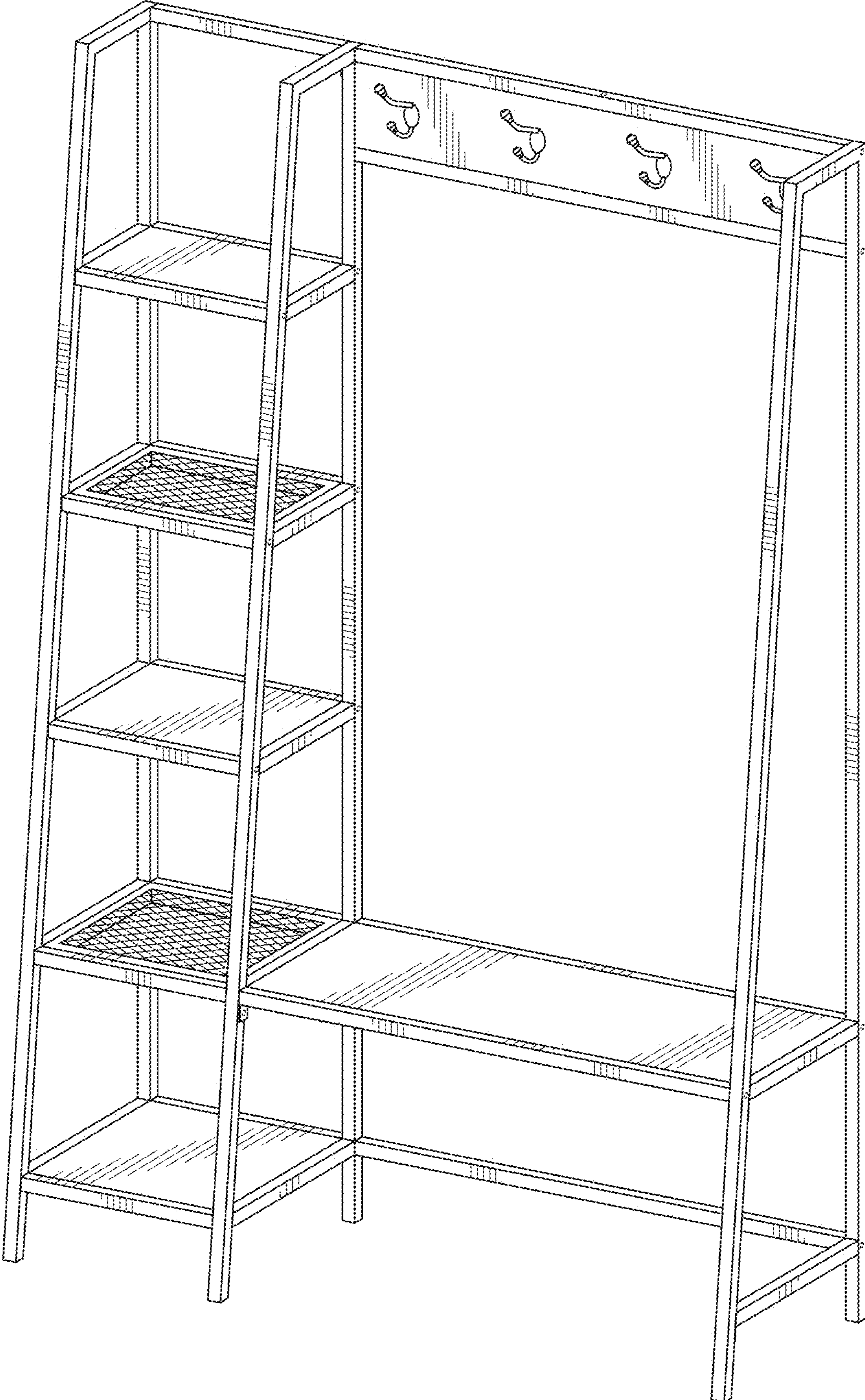


FIG. 1

FIG. 2

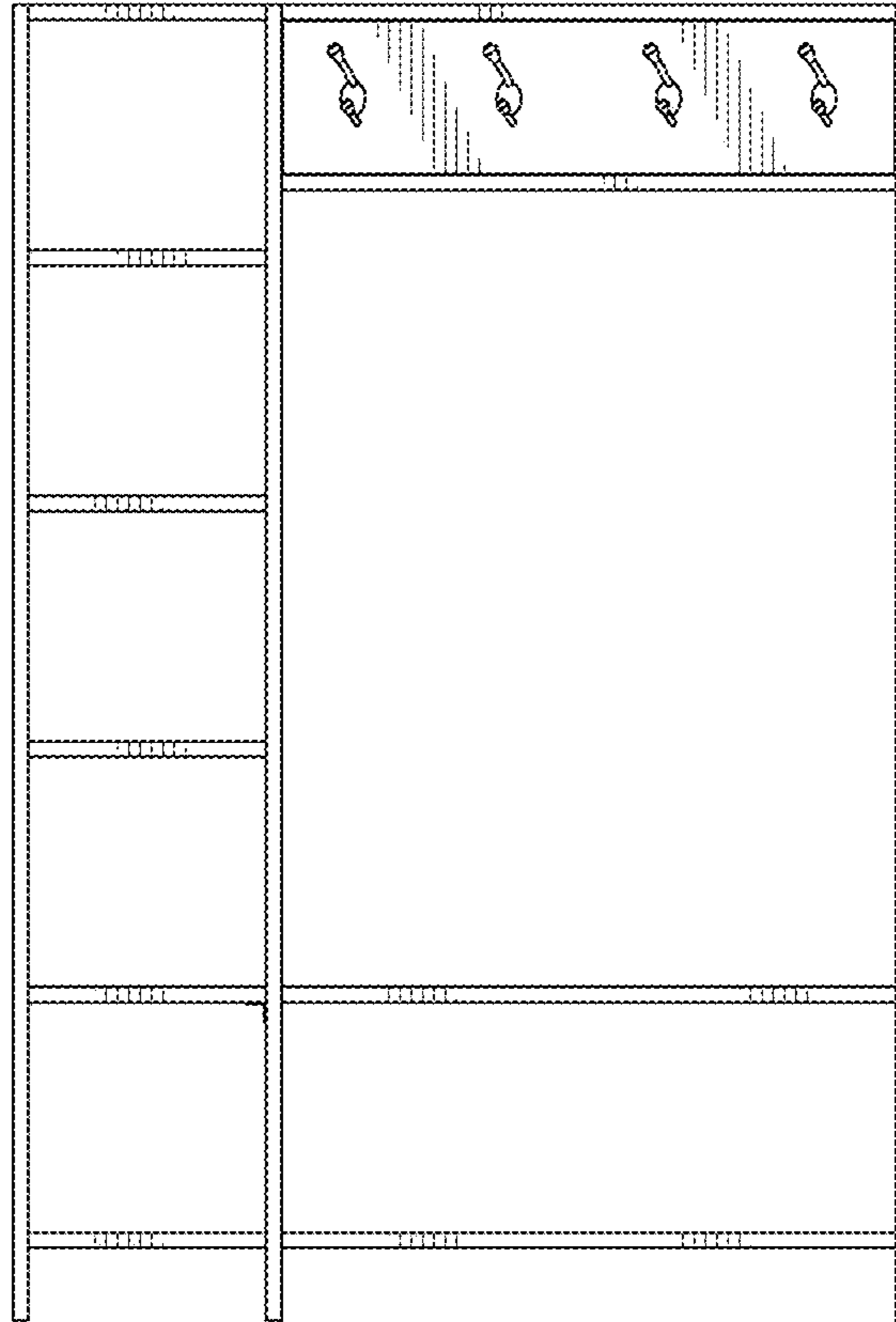
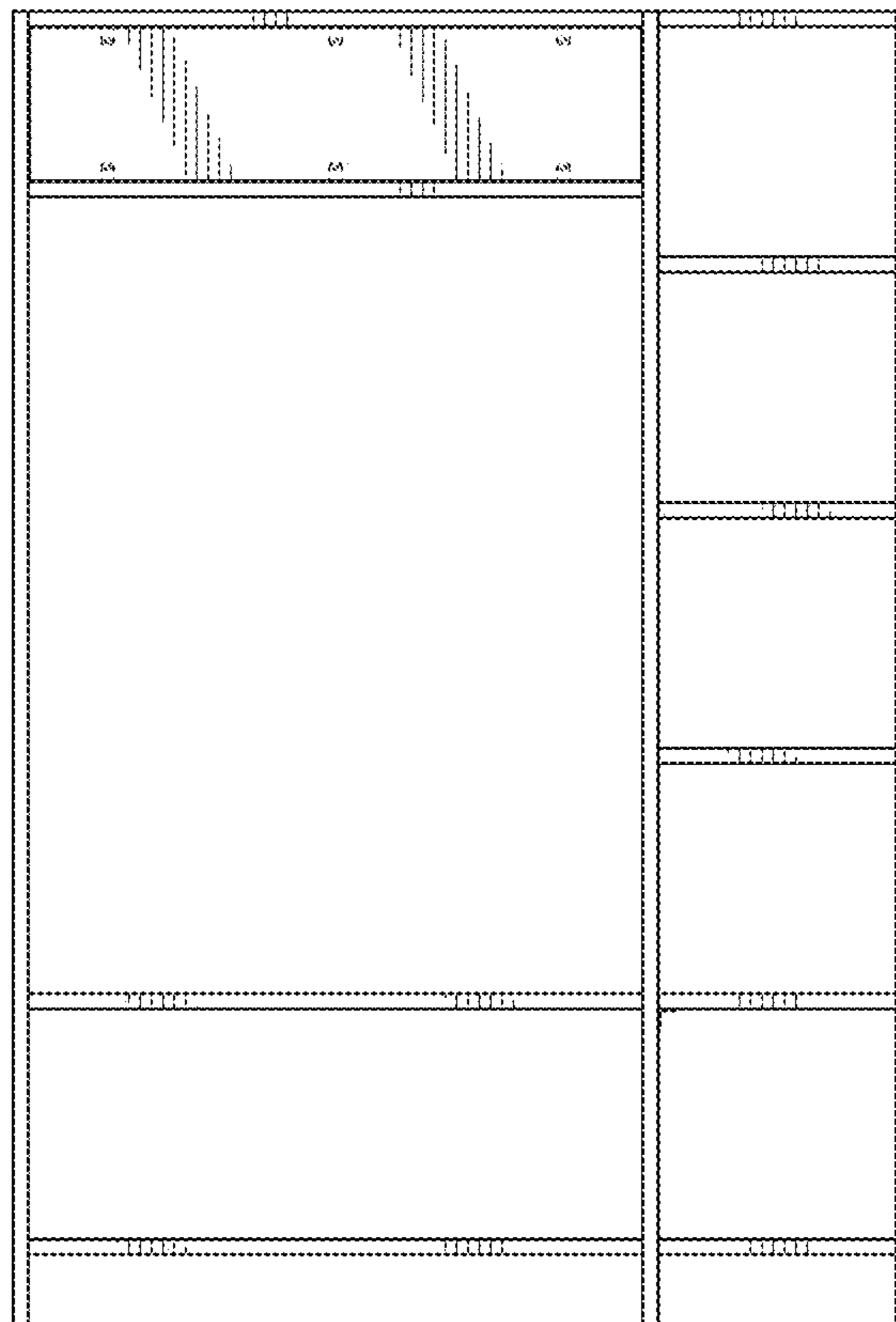


FIG. 3



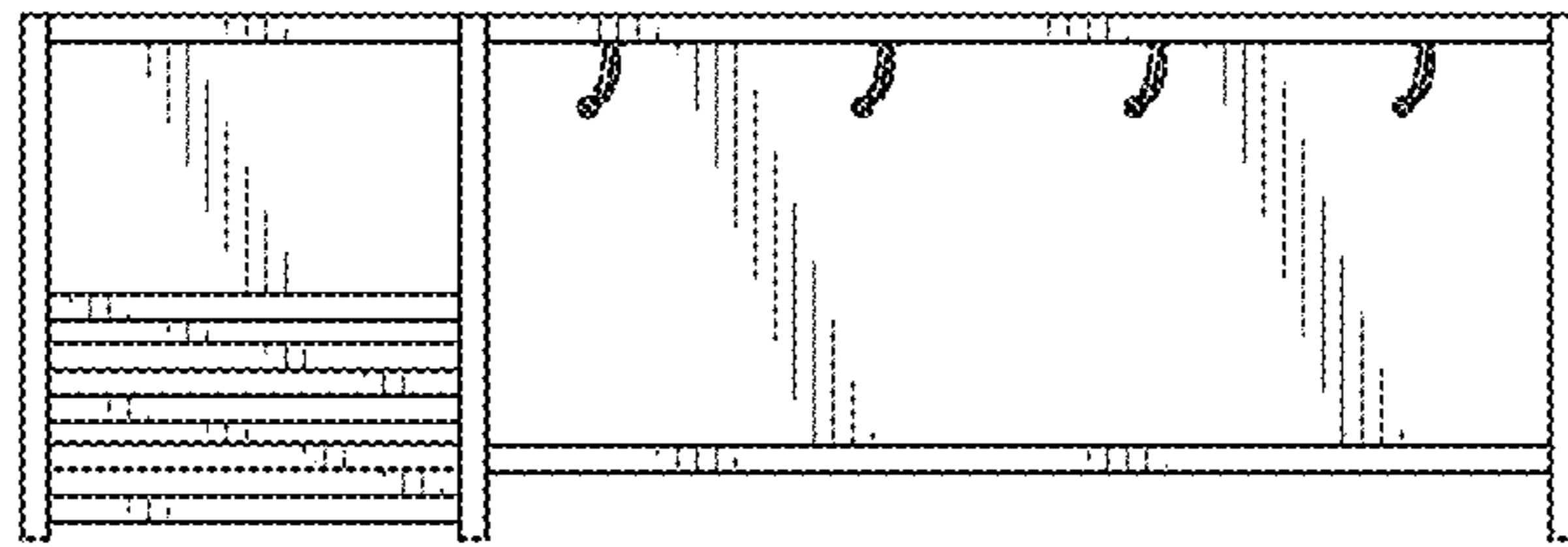


FIG. 4

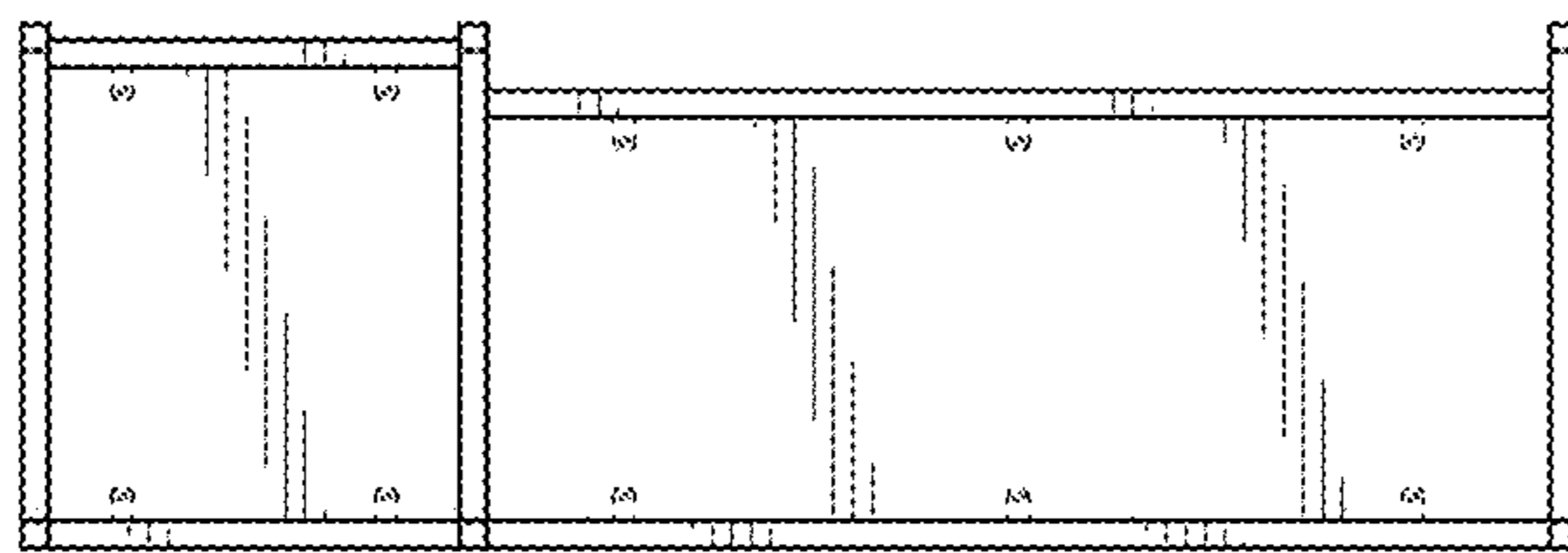


FIG. 5

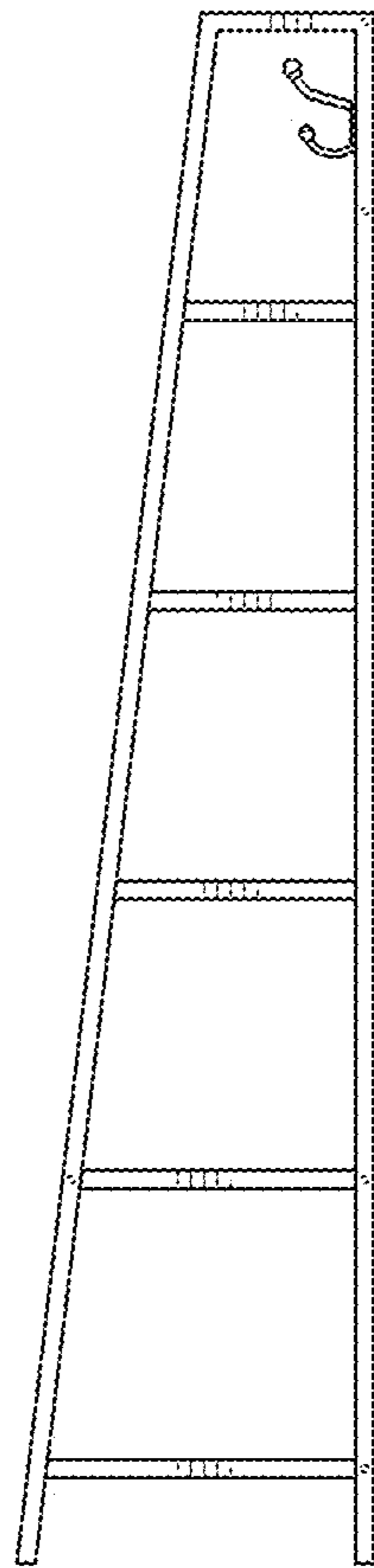


FIG. 6

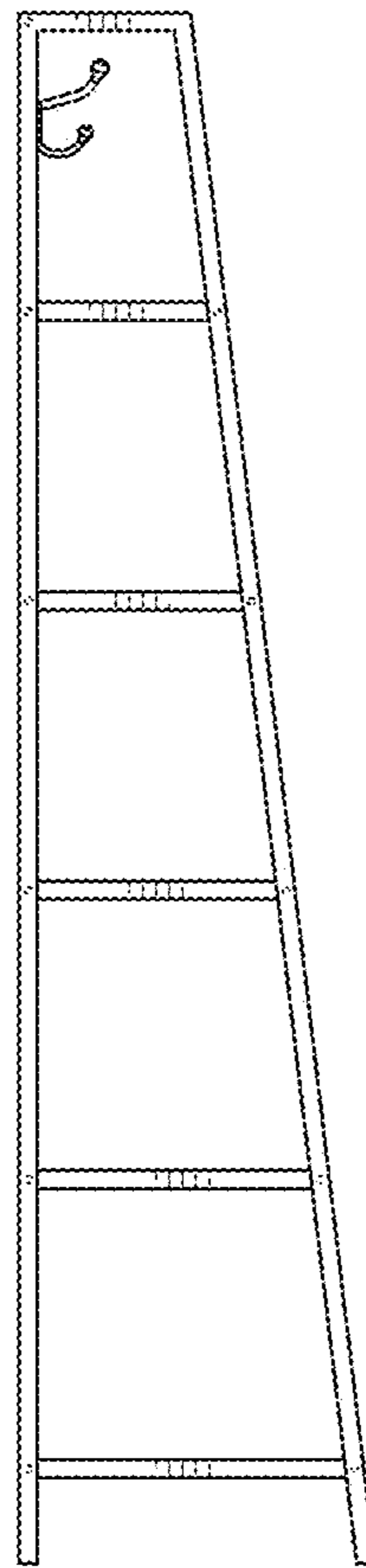


FIG. 7



FIG. 8

FIG. 9

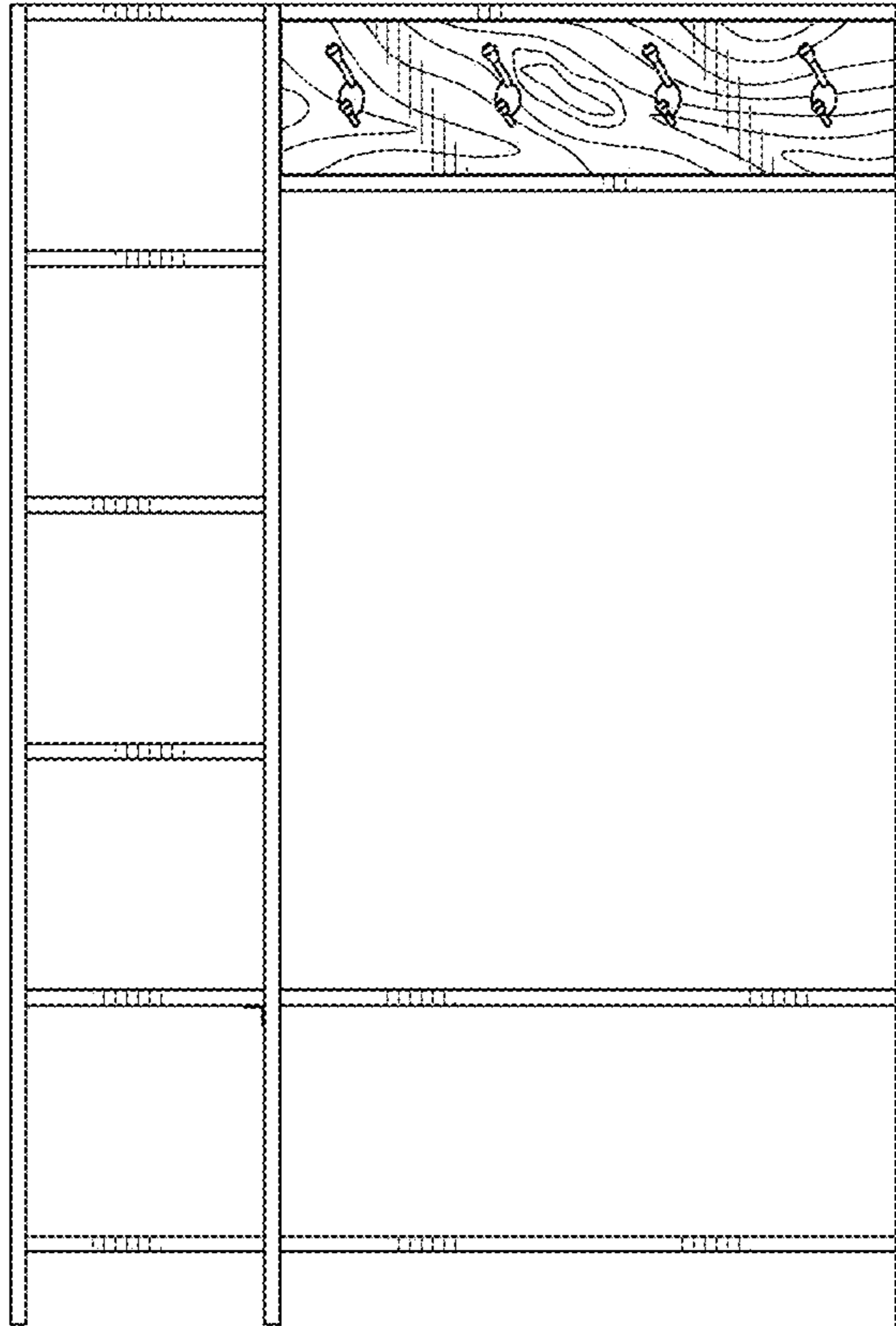
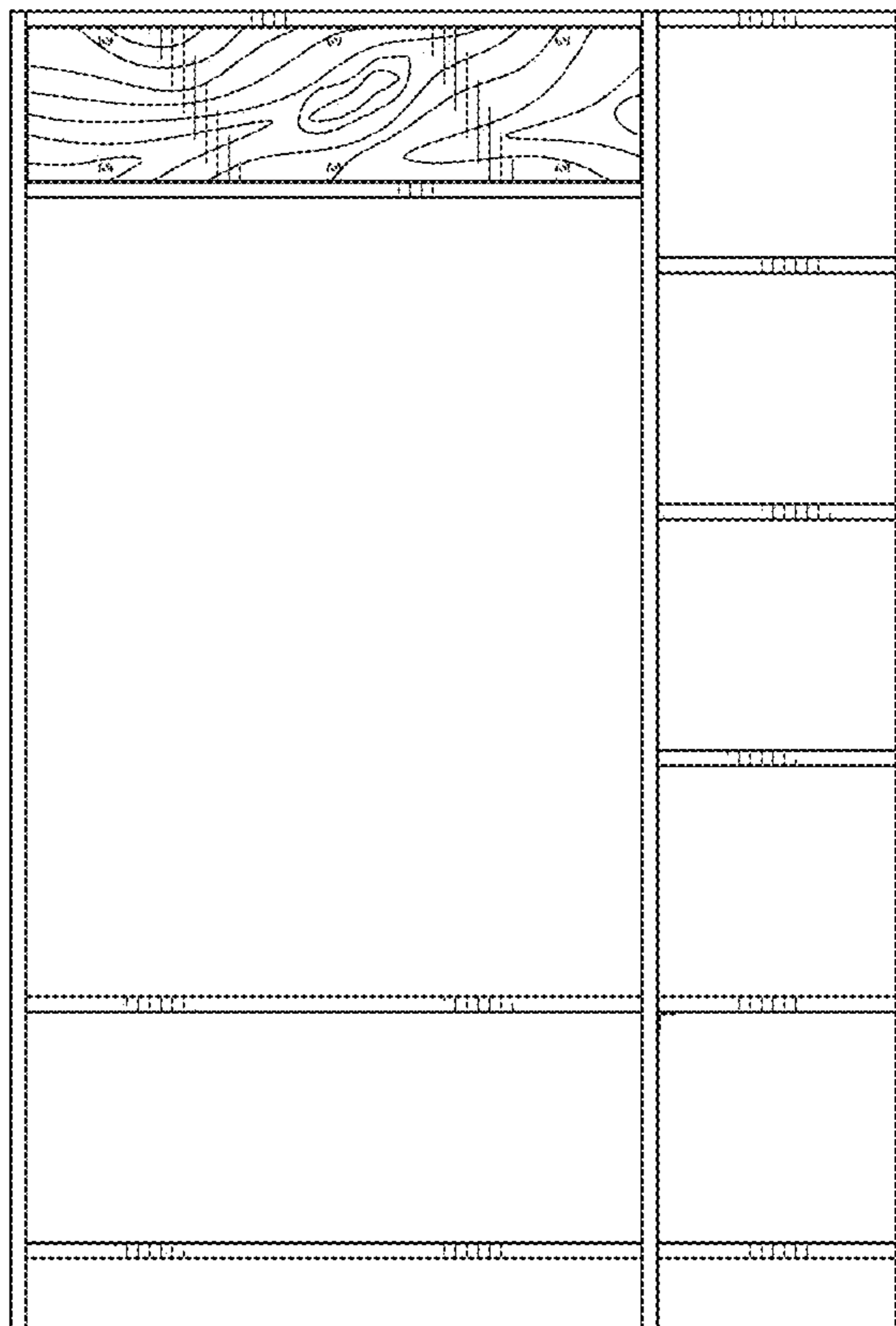


FIG. 10



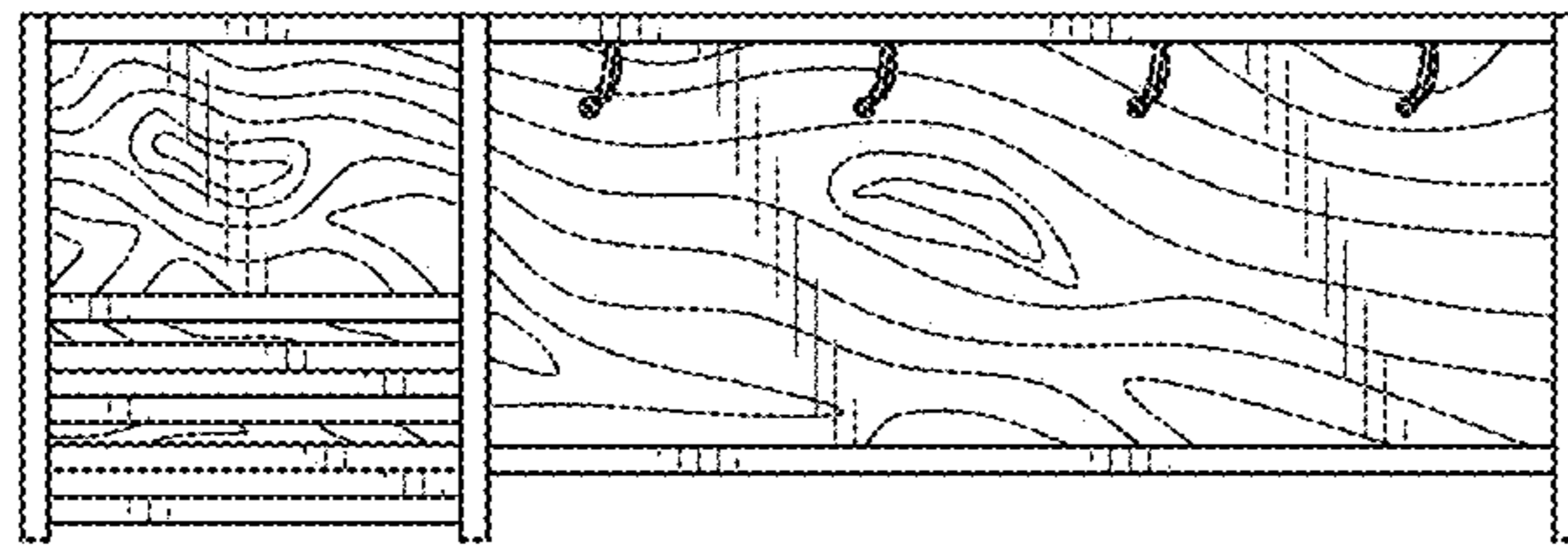


FIG. 11

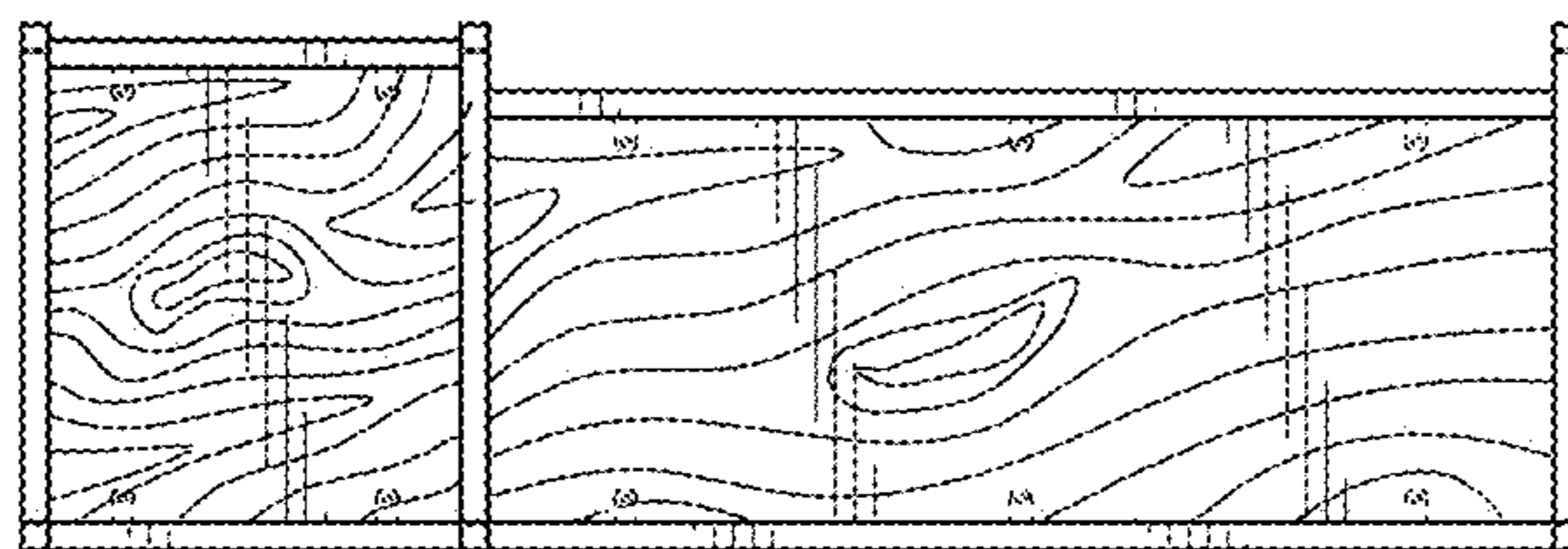


FIG. 12

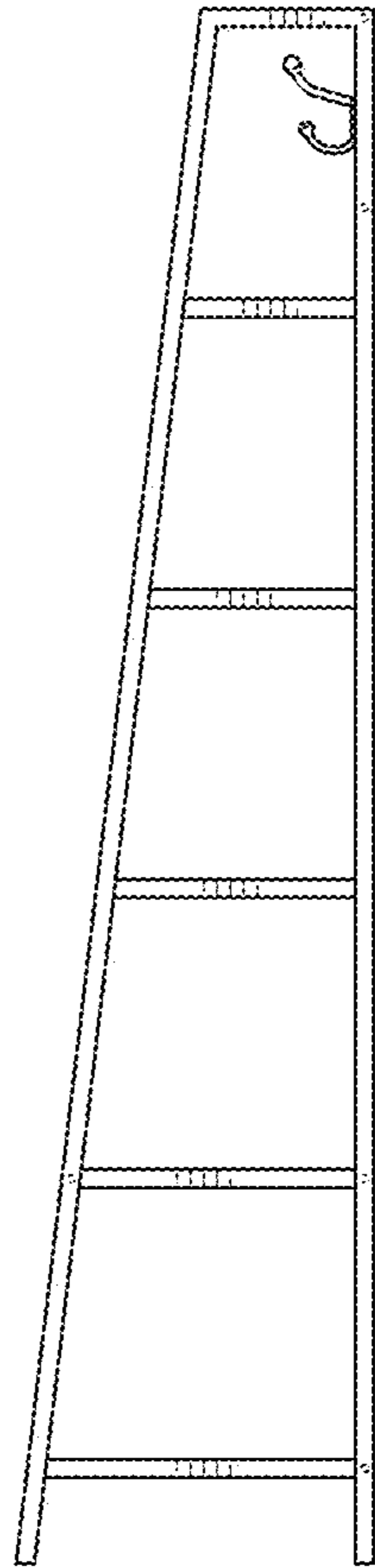


FIG. 13

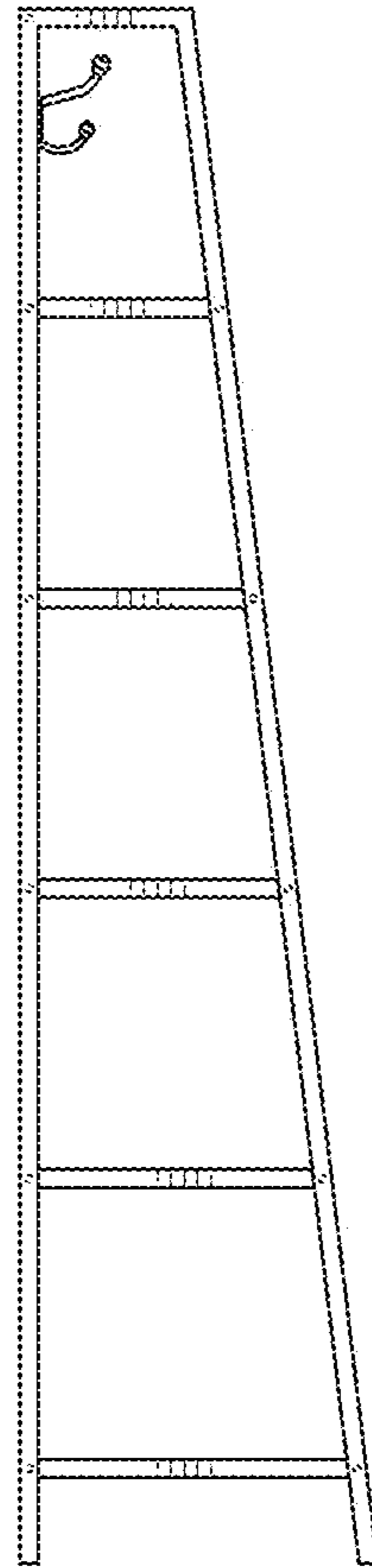


FIG. 14