



US00D923369S

(12) **United States Design Patent** (10) **Patent No.:** **US D923,369 S**
Su (45) **Date of Patent:** **** Jun. 29, 2021**

(54) **STORAGE RACK**

(71) Applicant: **DONGGUAN RUIWEI HOUSEHOLD PRODUCTS TECHNOLOGY CO., LTD.**, Dongguan (CN)

(72) Inventor: **Xiayun Su**, Loudi (CN)

(73) Assignee: **DONGGUAN RUIWEI HOUSEHOLD PRODUCTS TECHNOLOGY CO., LTD.**, Dongguan (CN)

(**) Term: **15 Years**

(21) Appl. No.: **29/771,249**

(22) Filed: **Feb. 22, 2021**

(30) **Foreign Application Priority Data**

Aug. 25, 2020 (CN) 202030491832.4

(51) **LOC (13) Cl.** **06-06**

(52) **U.S. Cl.**
USPC **D6/675.2**

(58) **Field of Classification Search**
USPC D3/304-315; D6/672, 675, 675.1, 675.2, D6/675.3, 683.1; D19/92, 100; D7/600.1, 600.4
CPC .. A47F 5/00; A47F 5/0056; A47F 5/13; A47F 7/00; A47F 5/01; B65D 1/38; B65D 1/22; A47J 47/16; A47B 81/00
See application file for complete search history.

(56) **References Cited**

U.S. PATENT DOCUMENTS

D265,325 S * 7/1982 Rich D19/92
D436,239 S * 1/2001 Walsh D34/17
D567,553 S * 4/2008 Post D6/675.1

D568,635 S * 5/2008 Klein D6/675.2
D683,567 S * 6/2013 Hsu D6/675.2
D734,914 S * 7/2015 Tsai D34/21
D757,177 S * 5/2016 Tsai D19/92
D761,043 S * 7/2016 Snider D6/675.2
D785,979 S * 5/2017 Snider D6/675.1
D801,731 S 11/2017 Cao
D839,644 S * 2/2019 Tuang D6/683.1
D852,449 S * 6/2019 Hu D34/21
D875,476 S * 2/2020 Tuang D7/600.4
D901,123 S * 11/2020 Liu D34/21
D901,816 S * 11/2020 Liu D34/21
D901,817 S * 11/2020 Li D34/21
D902,521 S * 11/2020 Tsai D34/21
D914,408 S * 3/2021 Li D6/675.1
D914,409 S * 3/2021 Xu D6/675.2
2020/0216104 A1 * 7/2020 Leblanc B62B 3/022

* cited by examiner

Primary Examiner — Kelley A Donnelly

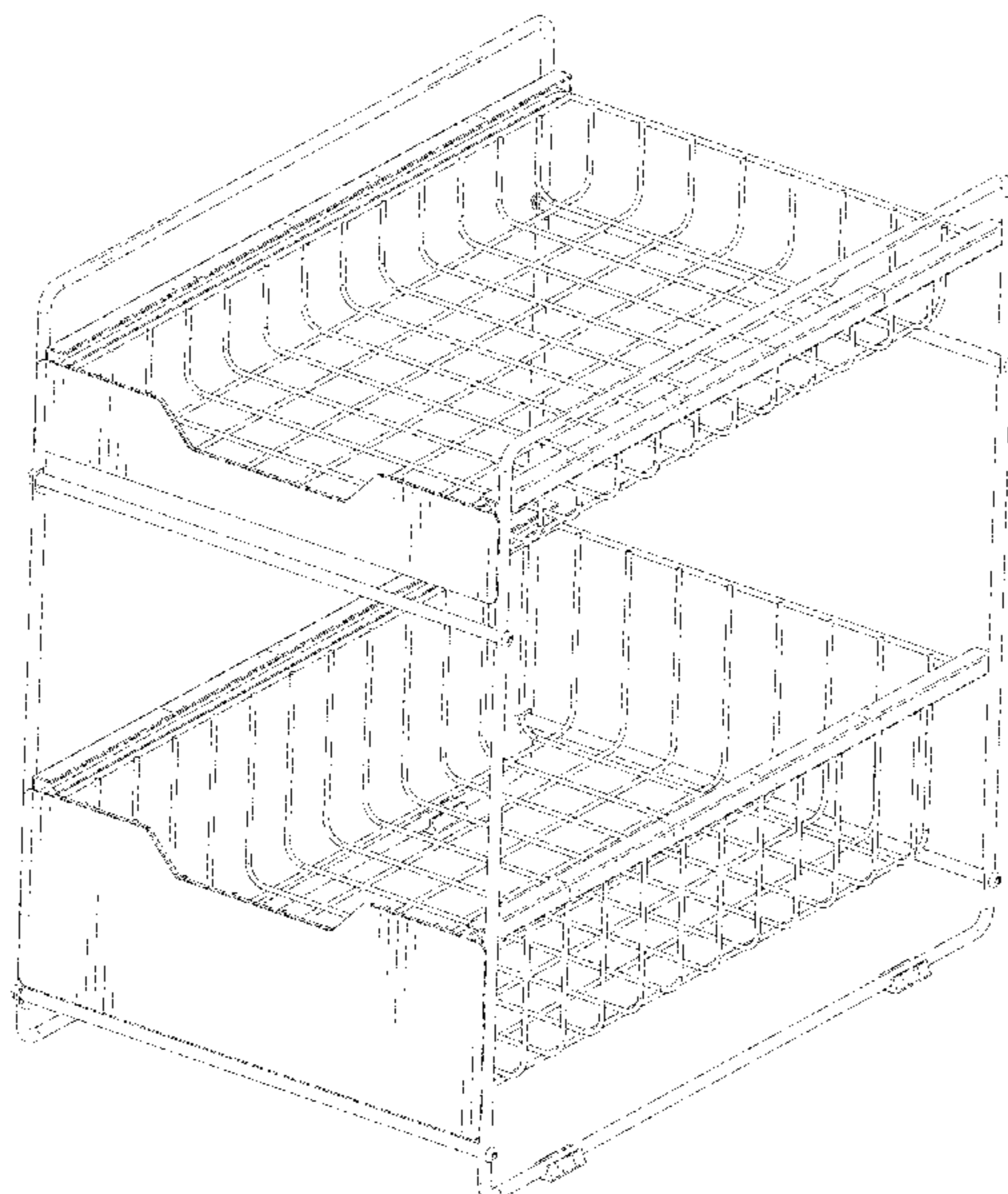
(57) **CLAIM**

The ornamental design for a storage rack, as shown and described.

DESCRIPTION

FIG. 1 is a perspective view of a storage rack showing my new design;
FIG. 2 is another perspective view thereof;
FIG. 3 is a front elevational view thereof;
FIG. 4 is a rear elevational view thereof;
FIG. 5 is a right side elevational view thereof;
FIG. 6 is a left side elevational view thereof;
FIG. 7 is a top plan view thereof;
FIG. 8 is a bottom plan view thereof;
FIG. 9 is a perspective view of the storage rack where the storage rack is in a configuration of use;
FIG. 10 is an enlarged view of portion 10 shown in FIG. 2; and,
FIG. 11 is an enlarged view of portion 11 shown in FIG. 8.

1 Claim, 11 Drawing Sheets



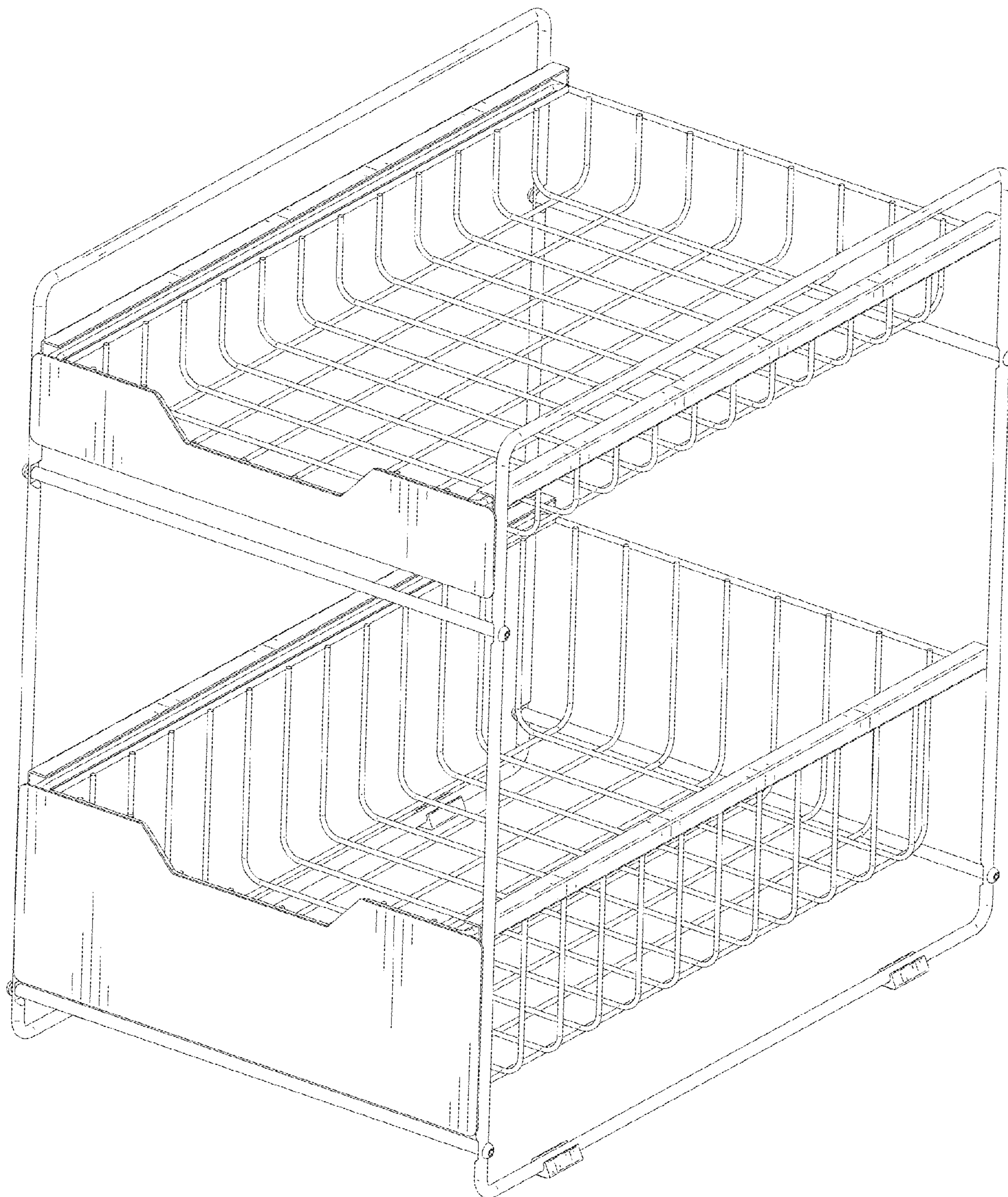


FIG. 1

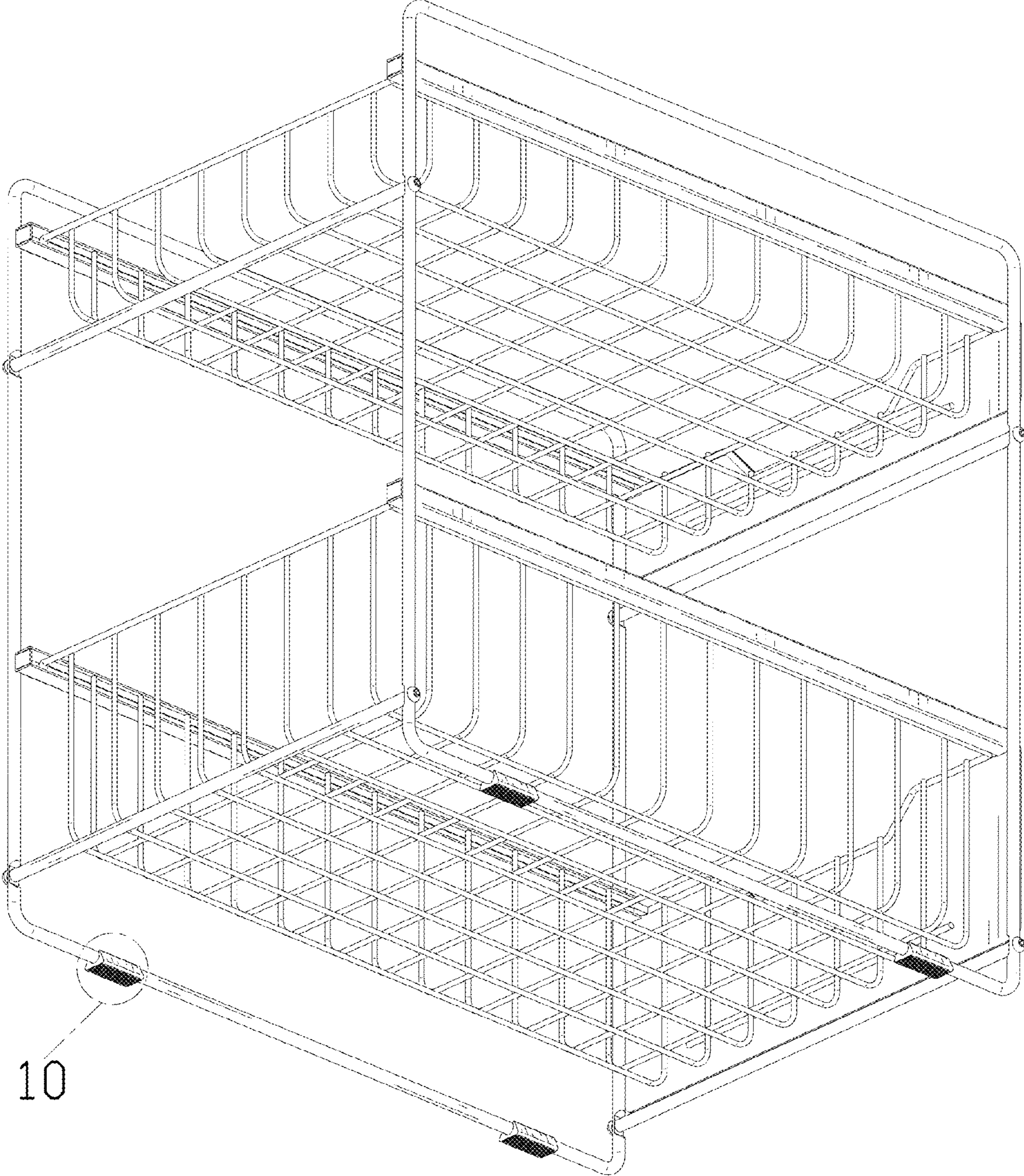


FIG. 2

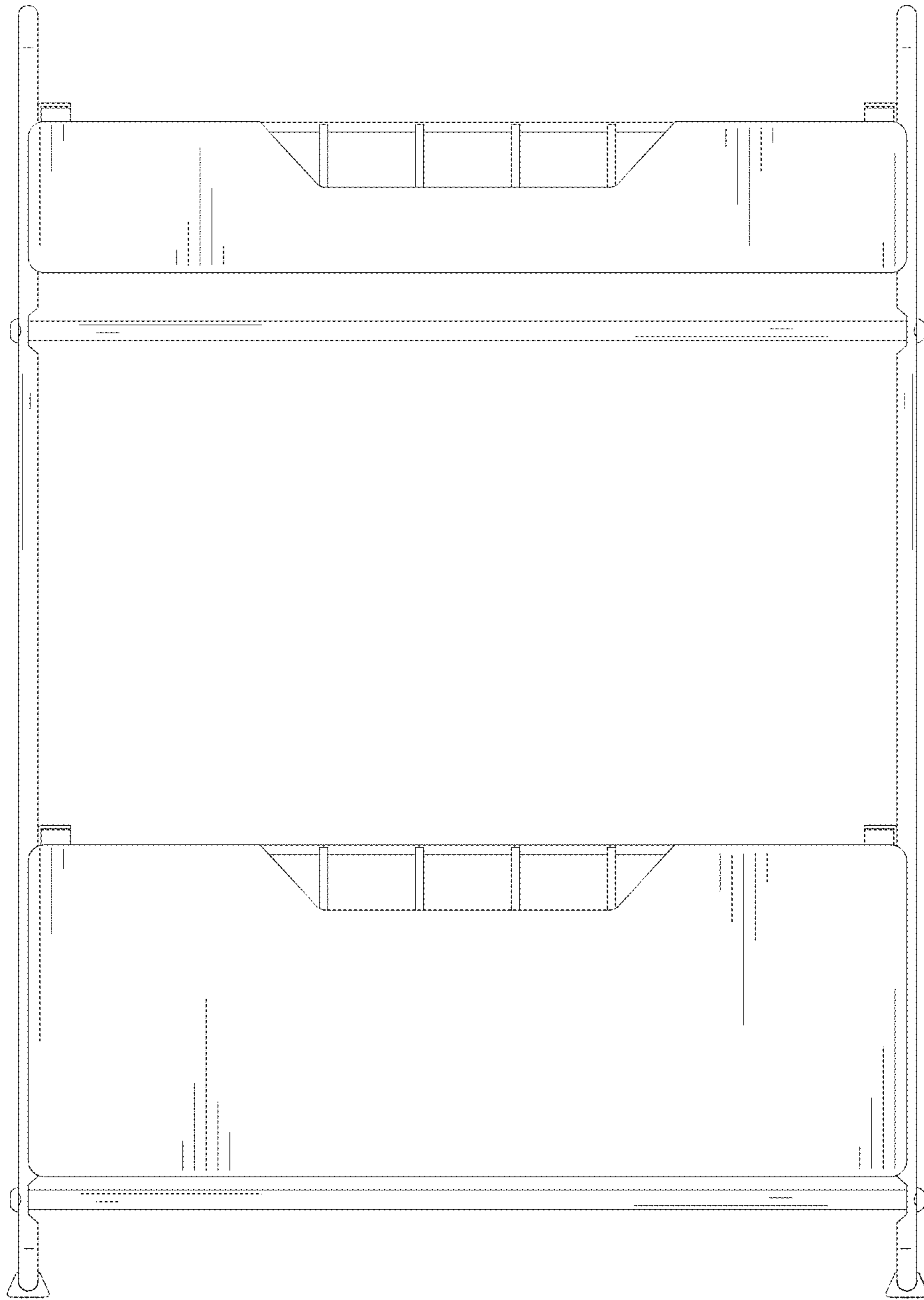


FIG. 3

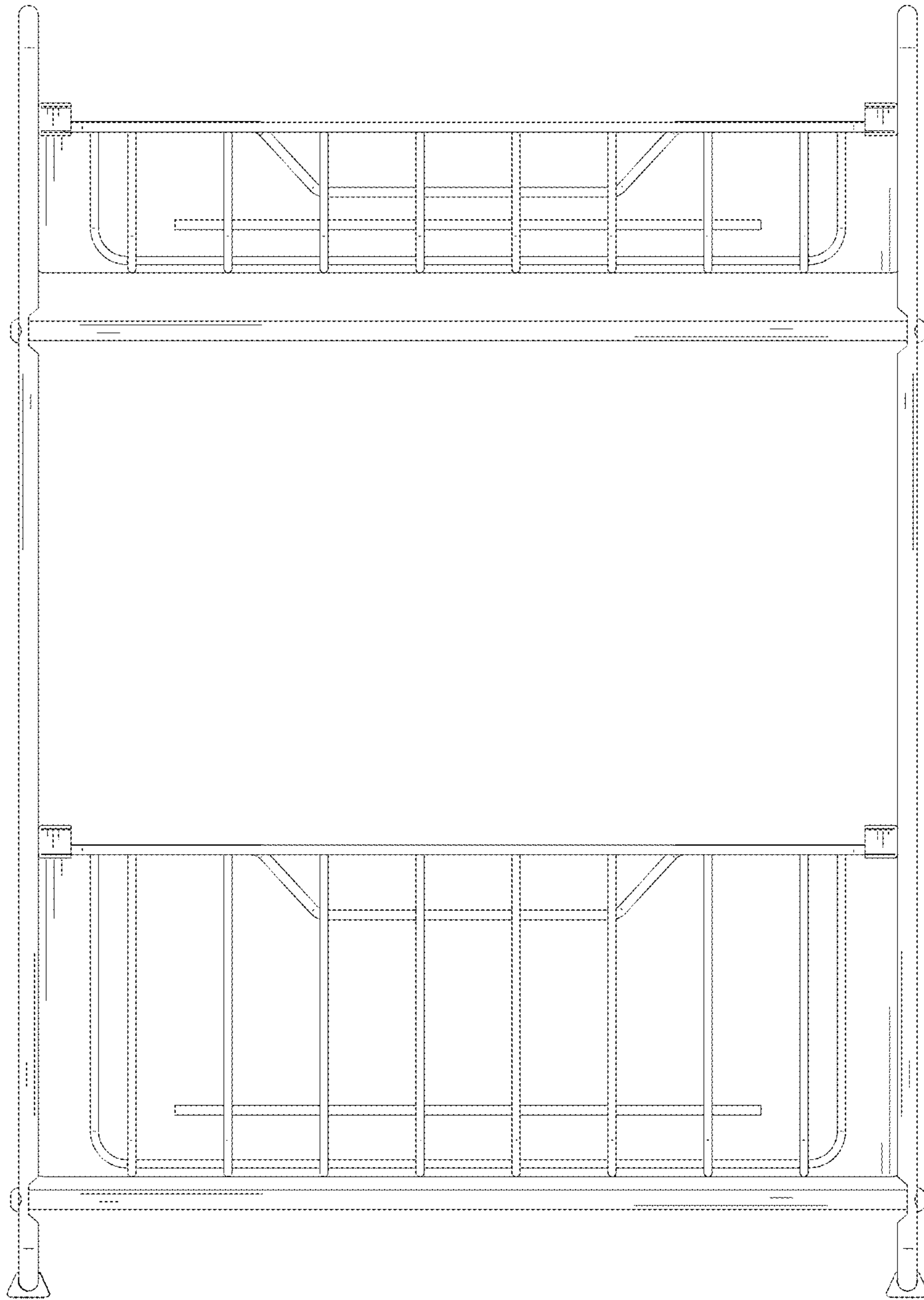


FIG. 4

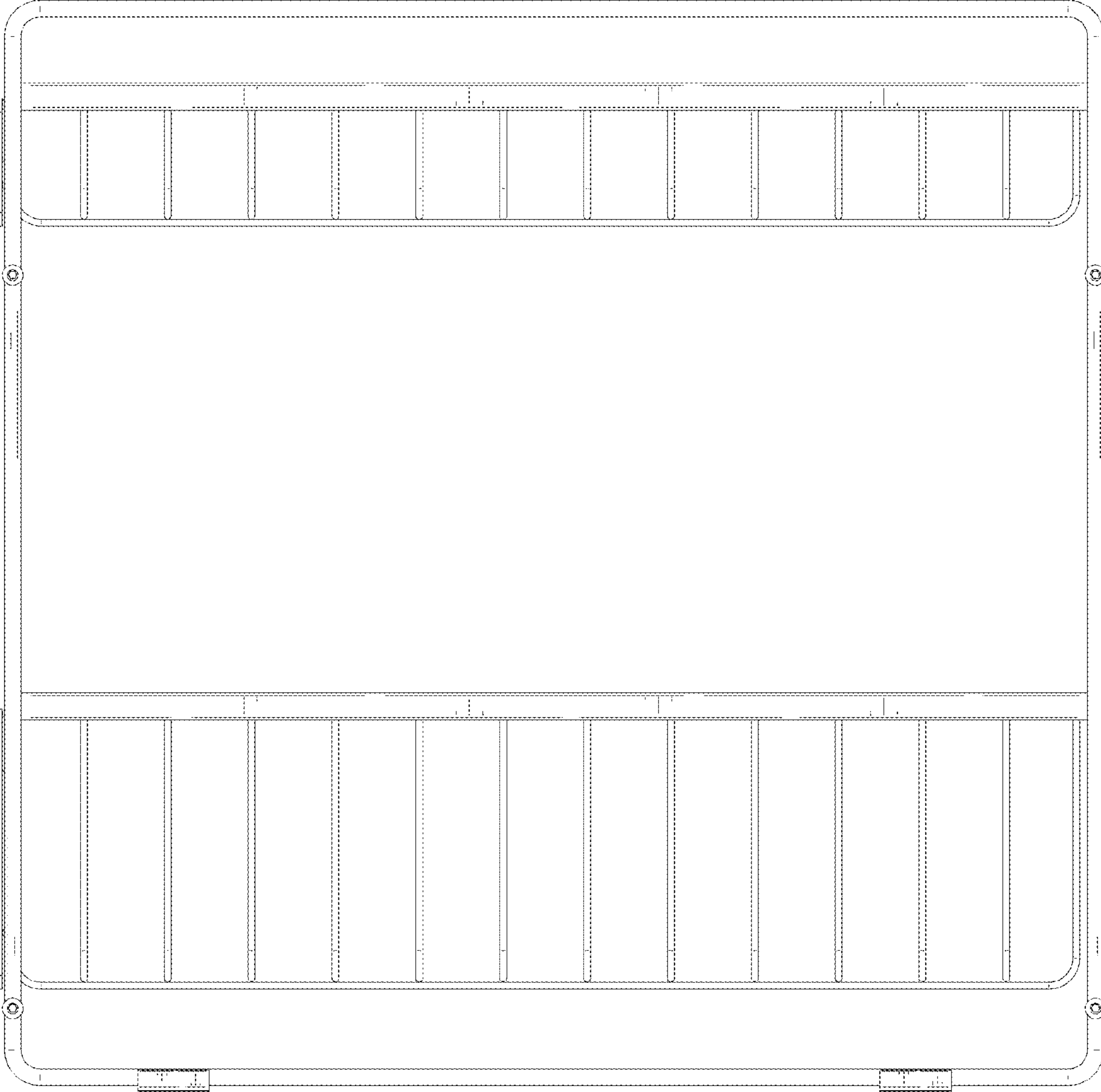


FIG. 5

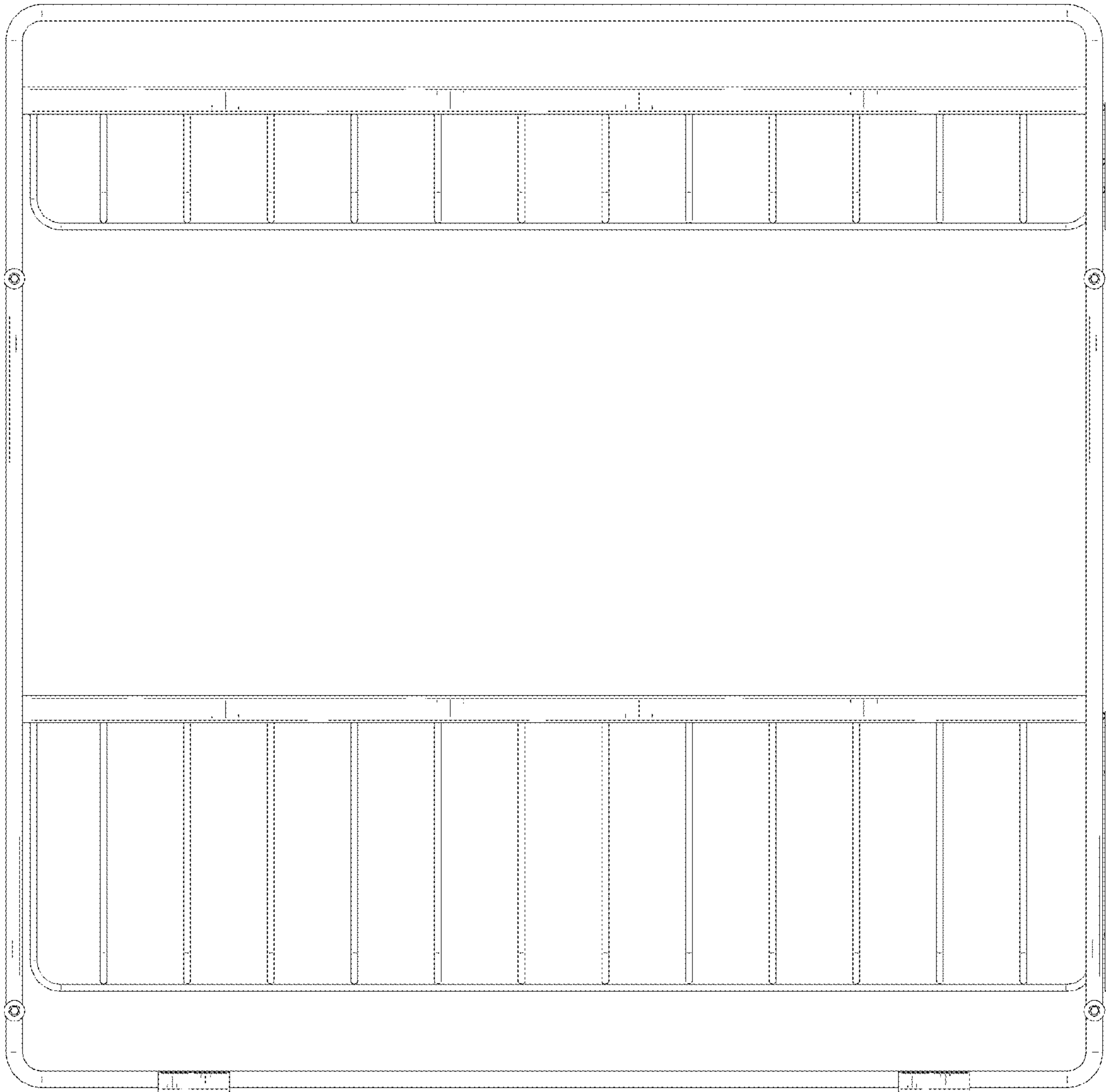


FIG. 6

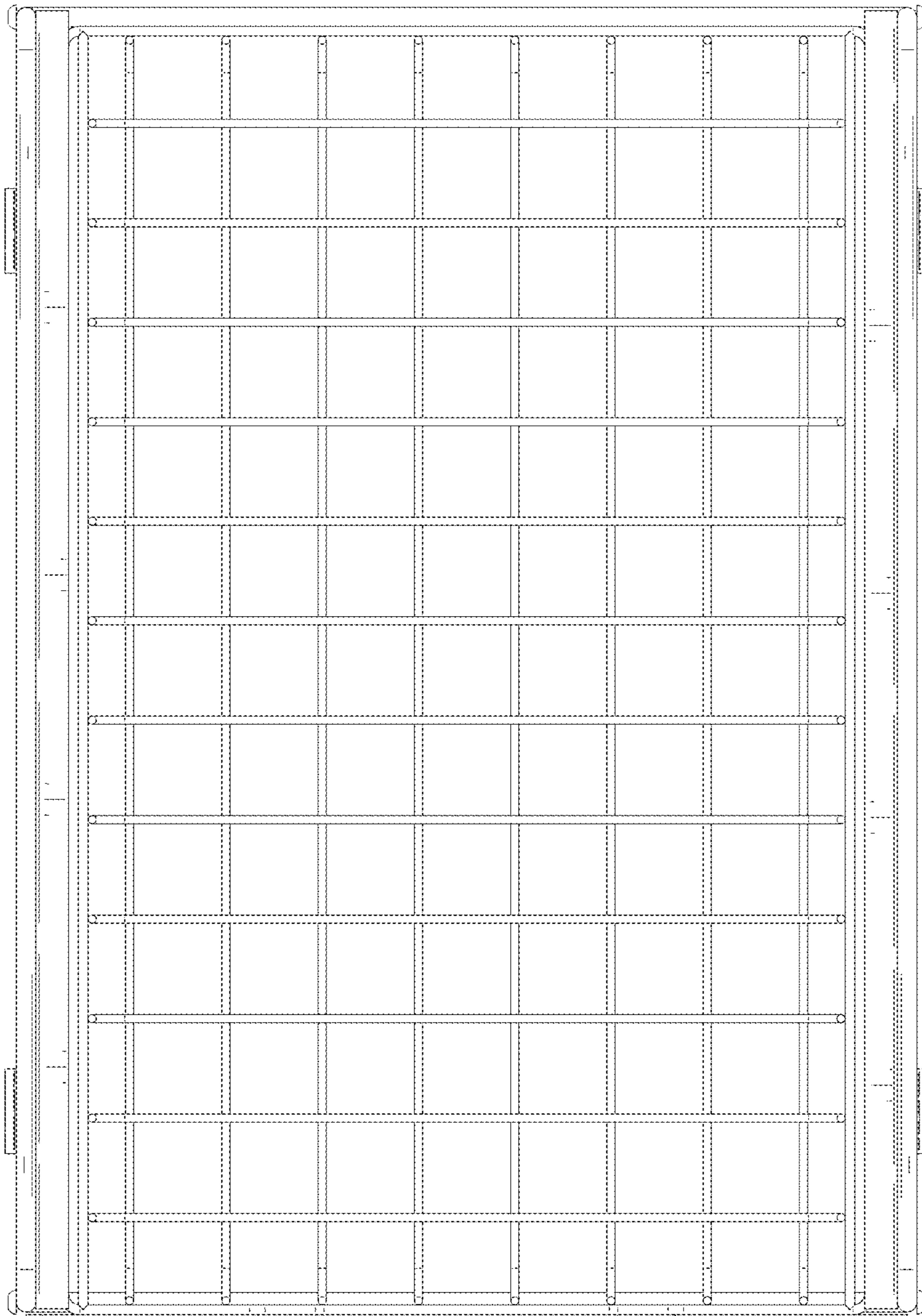


FIG. 7

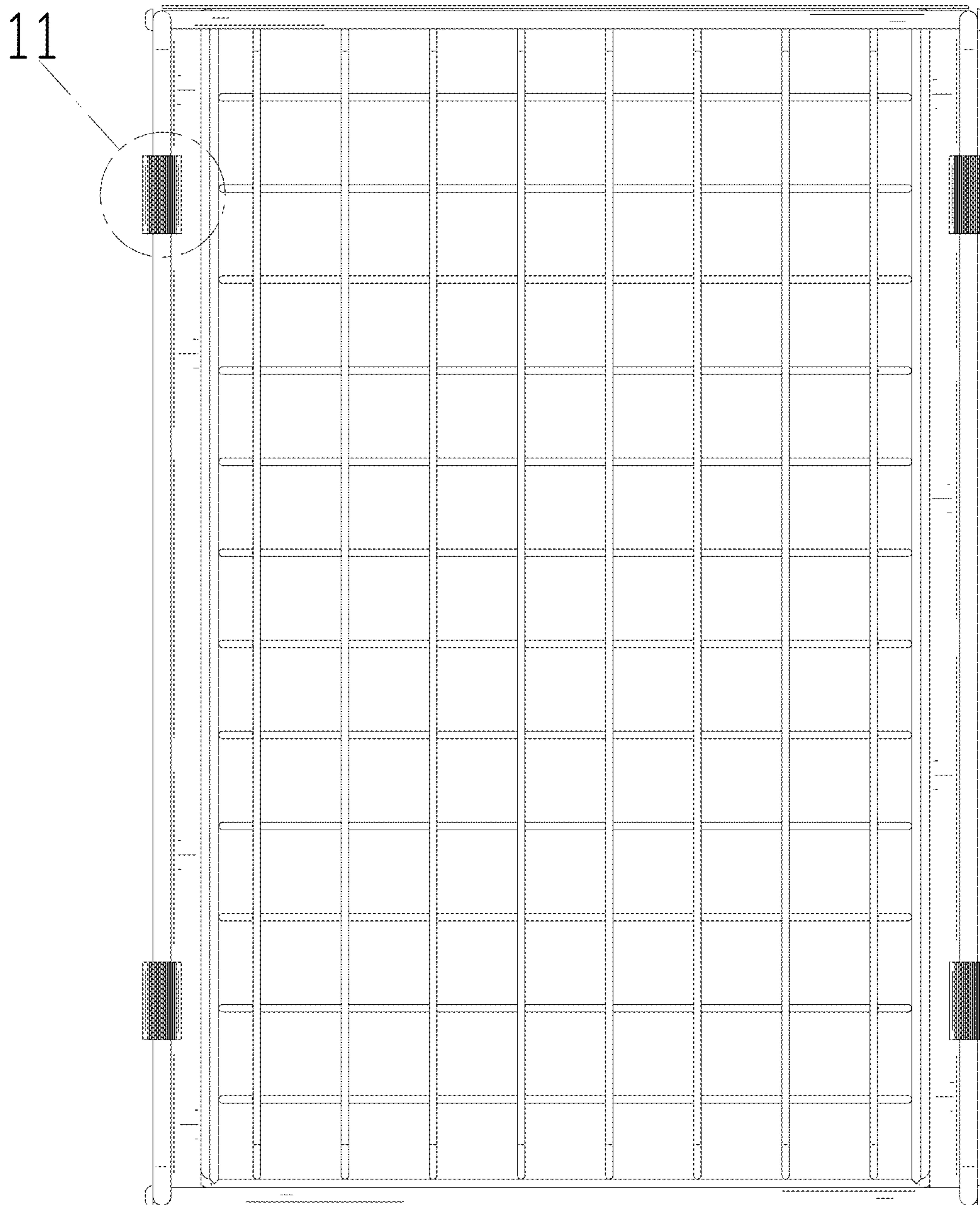


FIG. 8

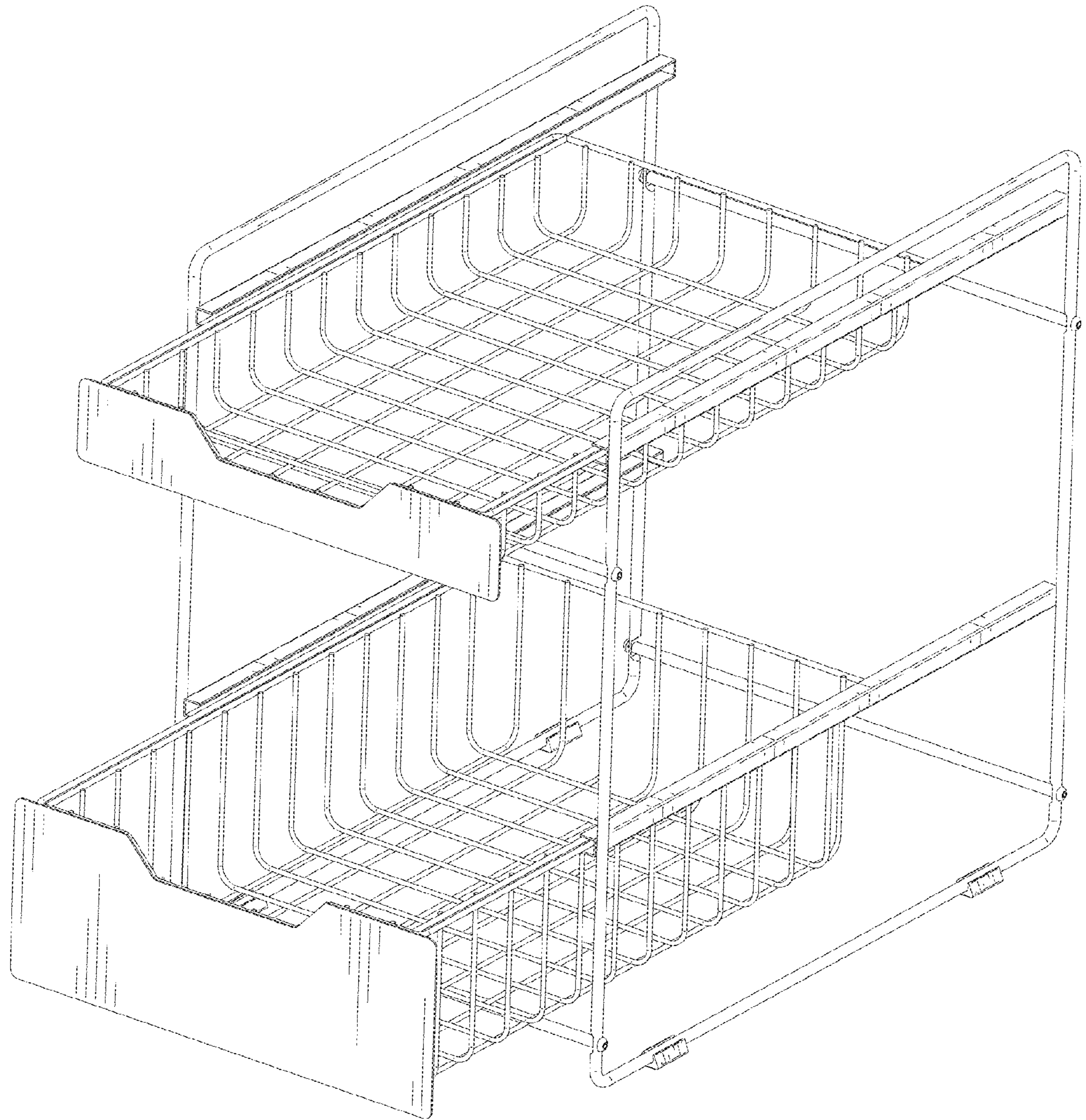


FIG. 9

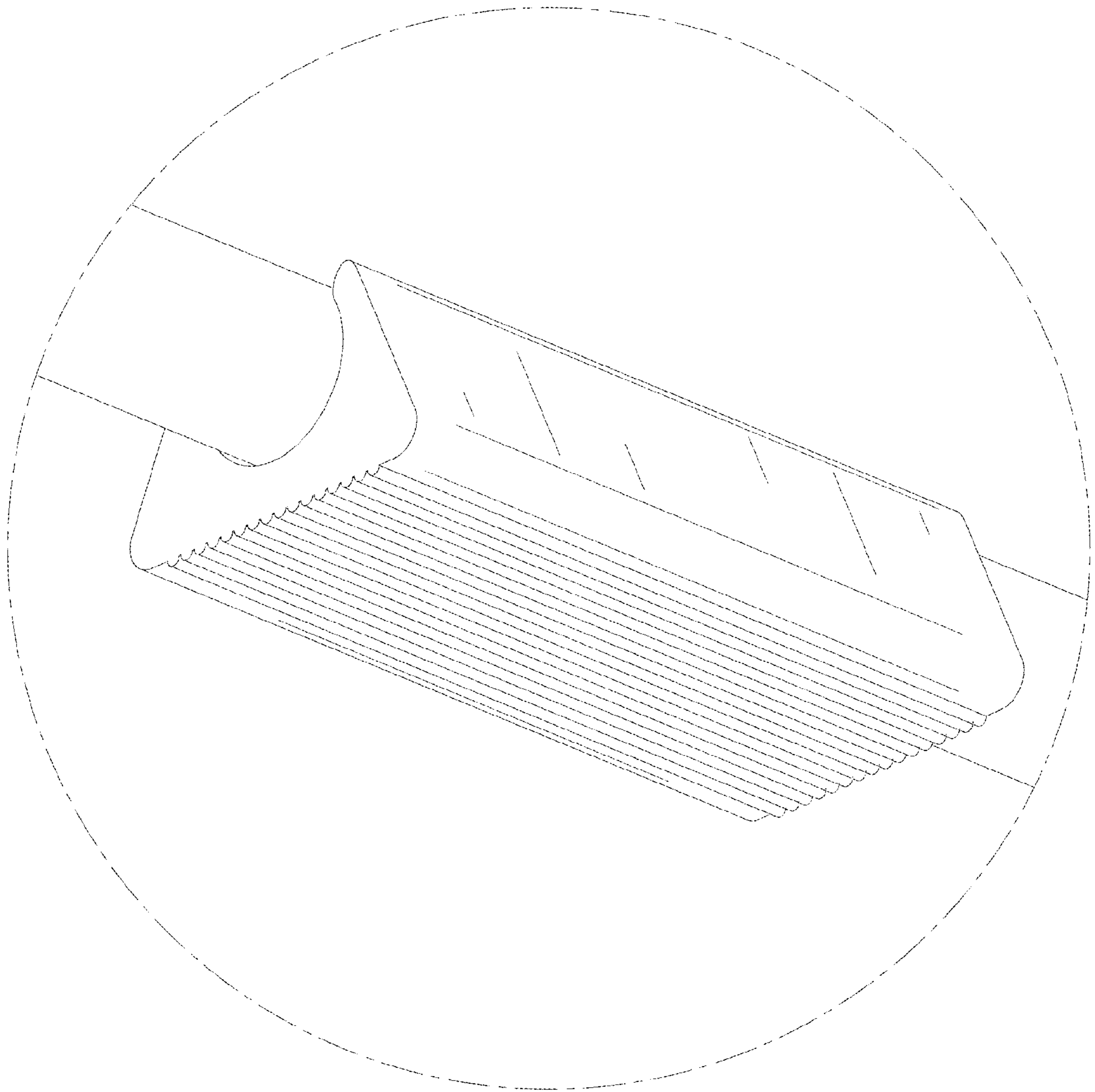


FIG. 10

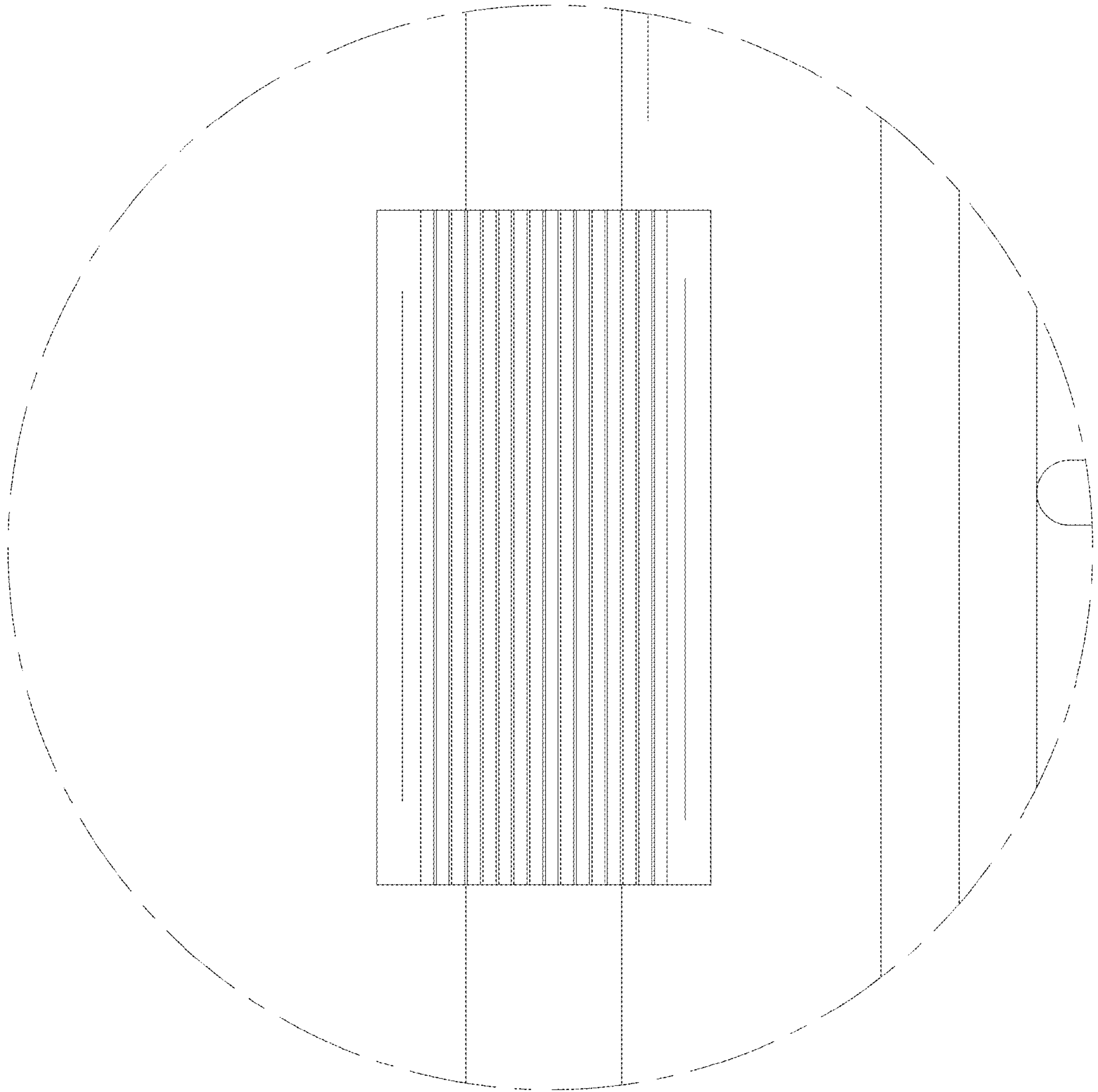


FIG. 11