



US00D923366S

(12) **United States Design Patent** (10) **Patent No.:** **US D923,366 S**
Huang (45) **Date of Patent:** **** Jun. 29, 2021**

(54) **DRESSING TABLE**
(71) Applicant: **Zheng Huang**, Xinye (CN)
(72) Inventor: **Zheng Huang**, Xinye (CN)
(**) Term: **15 Years**

D655,943 S 3/2012 Schmitt
D663,548 S 7/2012 Domack
D664,375 S 7/2012 Pamudji
D664,789 S 8/2012 Mehran
D668,887 S 10/2012 Schmitt
D724,868 S 3/2015 Liu
D779,217 S * 2/2017 Zhang D6/308
D809,322 S * 2/2018 Choi D6/664.1
D868,506 S * 12/2019 Song D6/664.1

(21) Appl. No.: **29/774,650**
(22) Filed: **Mar. 18, 2021**
(51) **LOC (13) Cl.** **06-04**
(52) **U.S. Cl.**
USPC **D6/664.1**
(58) **Field of Classification Search**
USPC D6/300, 308, 657, 663, 664.1, 668,
D6/668.1, 668.2, 671, 671.1, 671.2,
D6/671.3, 671.4, 686
CPC A47B 17/04; A47B 67/00; A47B 67/005;
A47B 67/04; A47B 88/00; A47B 88/40;
A47B 43/00; A47B 46/00; A47B 47/00;
A47B 47/022; A47B 47/04; A47B 55/00;
F21V 33/00; A45D 42/10
See application file for complete search history.

OTHER PUBLICATIONS

Dressing Table Mirror With LED Lights, from jocivancontabil.com.br, Retrieved Date, May 5, 2021, p. 1, from https://www.oko-7.xyz/ProductDetail.aspx?iid=64094471&pr=32.99 (Year: 2021).*

* cited by examiner

Primary Examiner — Mimosa De
(74) *Attorney, Agent, or Firm* — Rumit Ranjit Kanakia

(57) **CLAIM**

The ornamental design for a dressing table, as shown and described.

DESCRIPTION

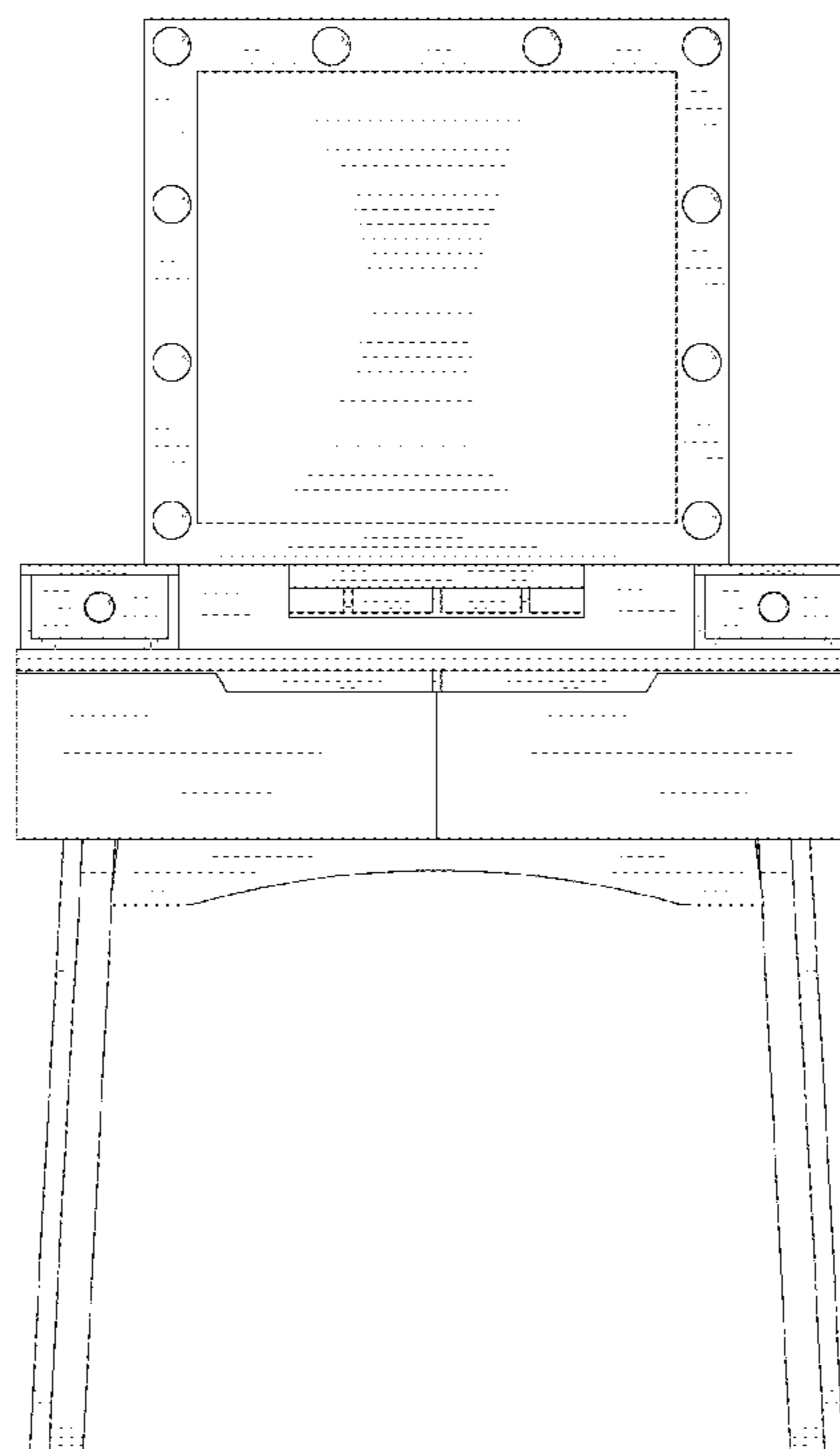
FIG. 1 is a front elevational view of a dressing table showing my new design;
FIG. 2 is a rear elevational view thereof;
FIG. 3 is a left elevational view thereof;
FIG. 4 is a right side view thereof;
FIG. 5 is a top side view thereof;
FIG. 6 is a bottom plan view thereof;
FIG. 7 is a perspective view of a dressing table showing my new design; and,
FIG. 8 is another perspective view thereof.

1 Claim, 8 Drawing Sheets

(56) **References Cited**

U.S. PATENT DOCUMENTS

D91,112 S * 11/1933 Guild D6/686
D308,308 S * 6/1990 Keller D6/664.1
D416,711 S * 11/1999 Chou D6/664.1
D416,712 S * 11/1999 Chou D6/664.1
D517,835 S 3/2006 O'Hare
D577,225 S * 9/2008 Greiner D6/664.1
D586,581 S 2/2009 Schmitt
D603,622 S 11/2009 Schmitt
D604,960 S 12/2009 Garbin



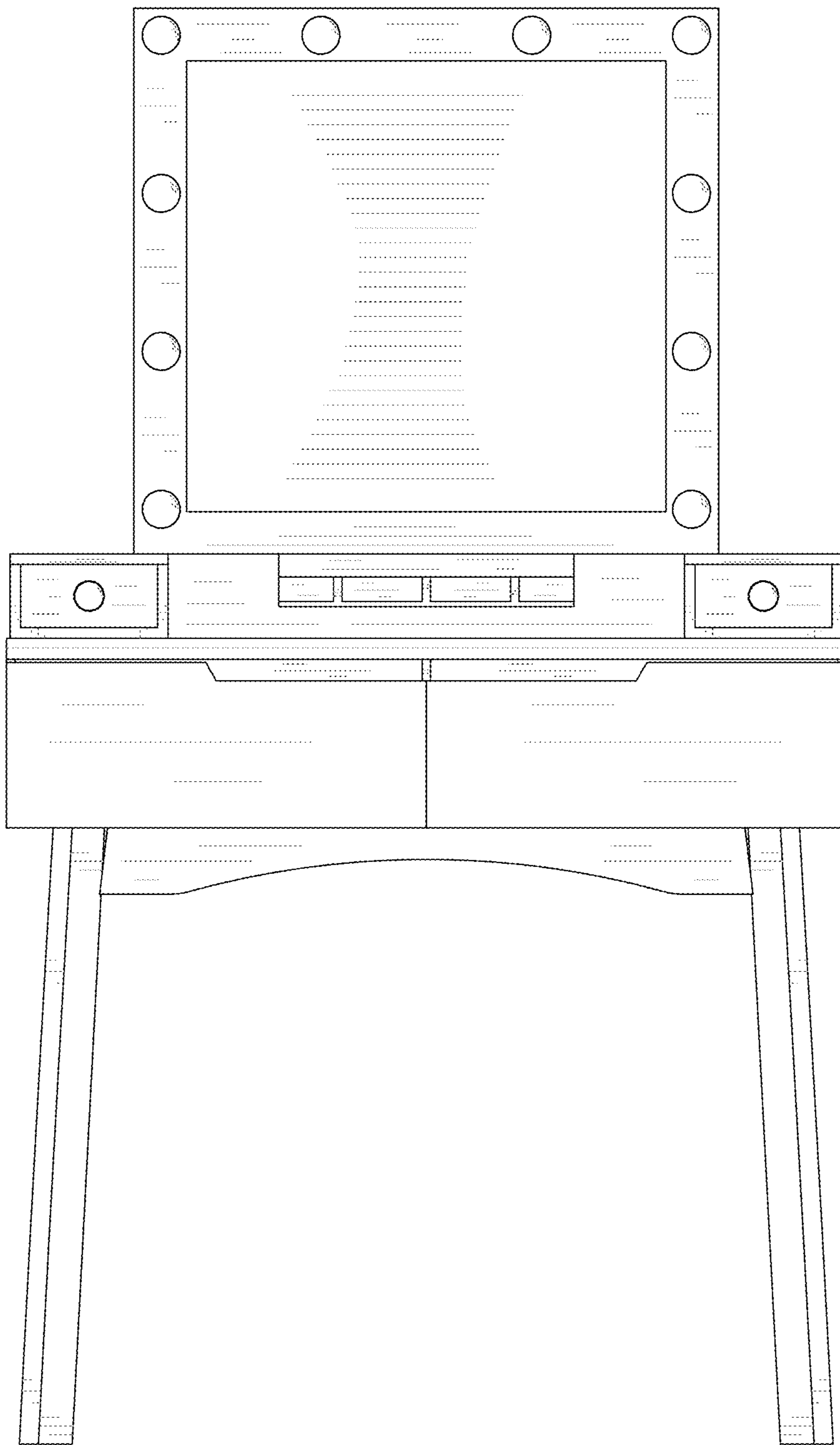


FIG. 1

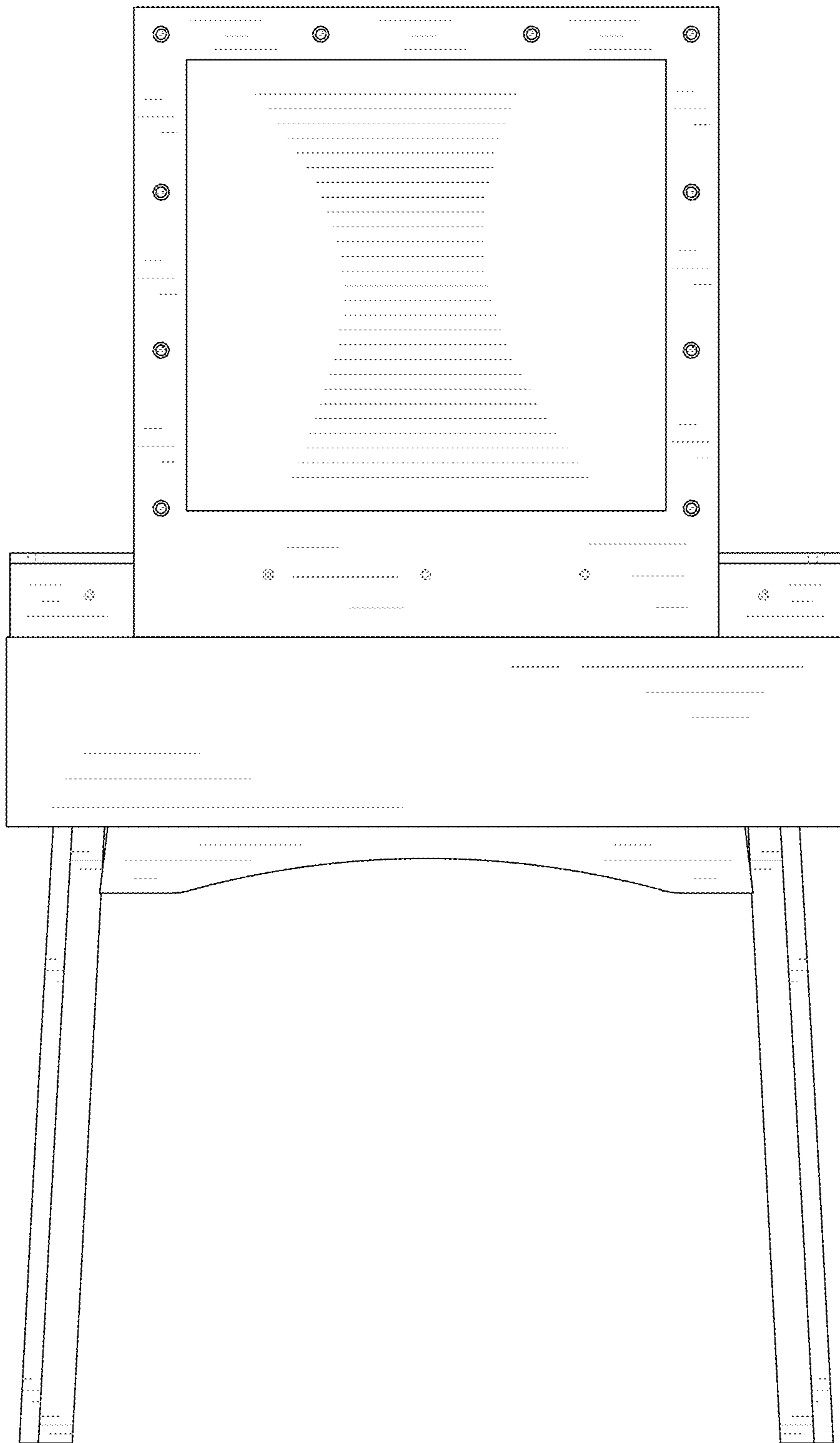


FIG. 2

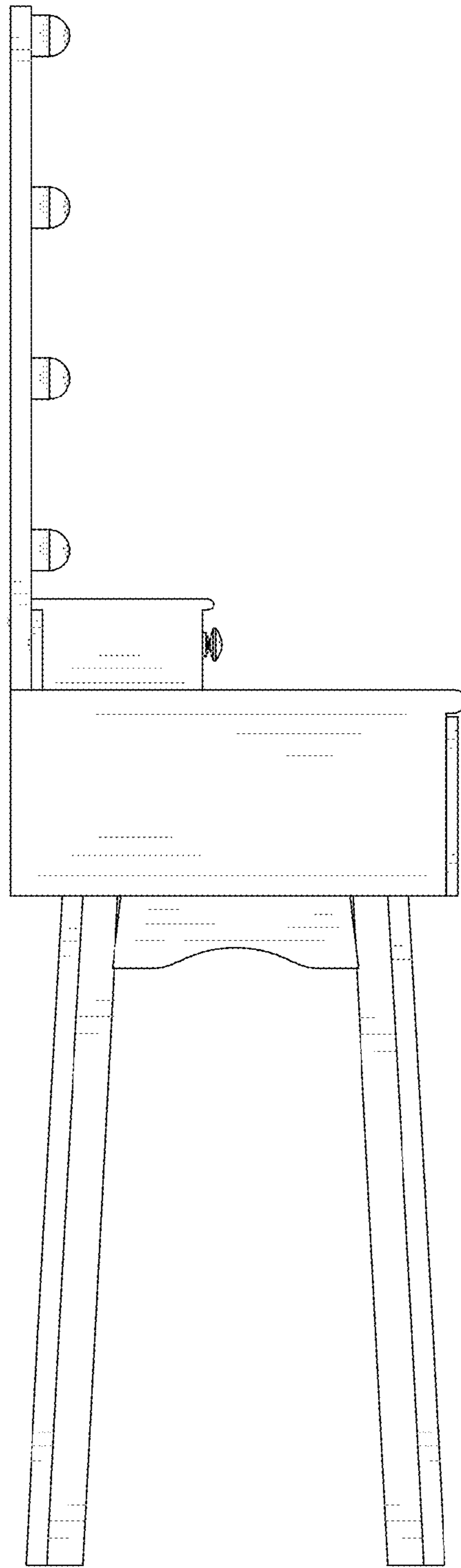


FIG. 3

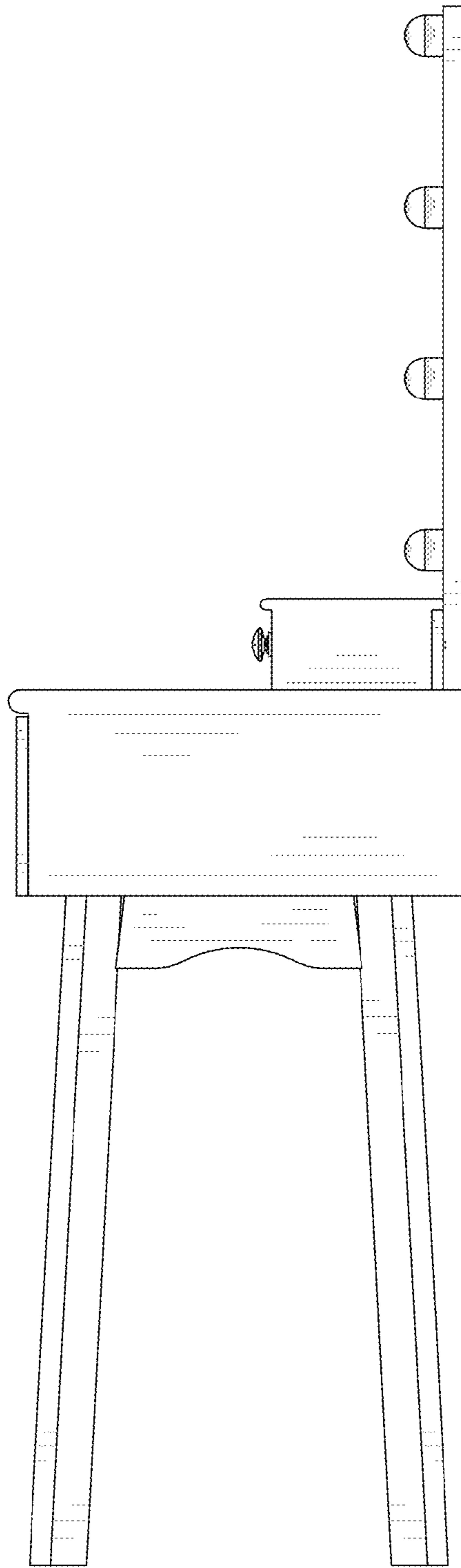


FIG. 4

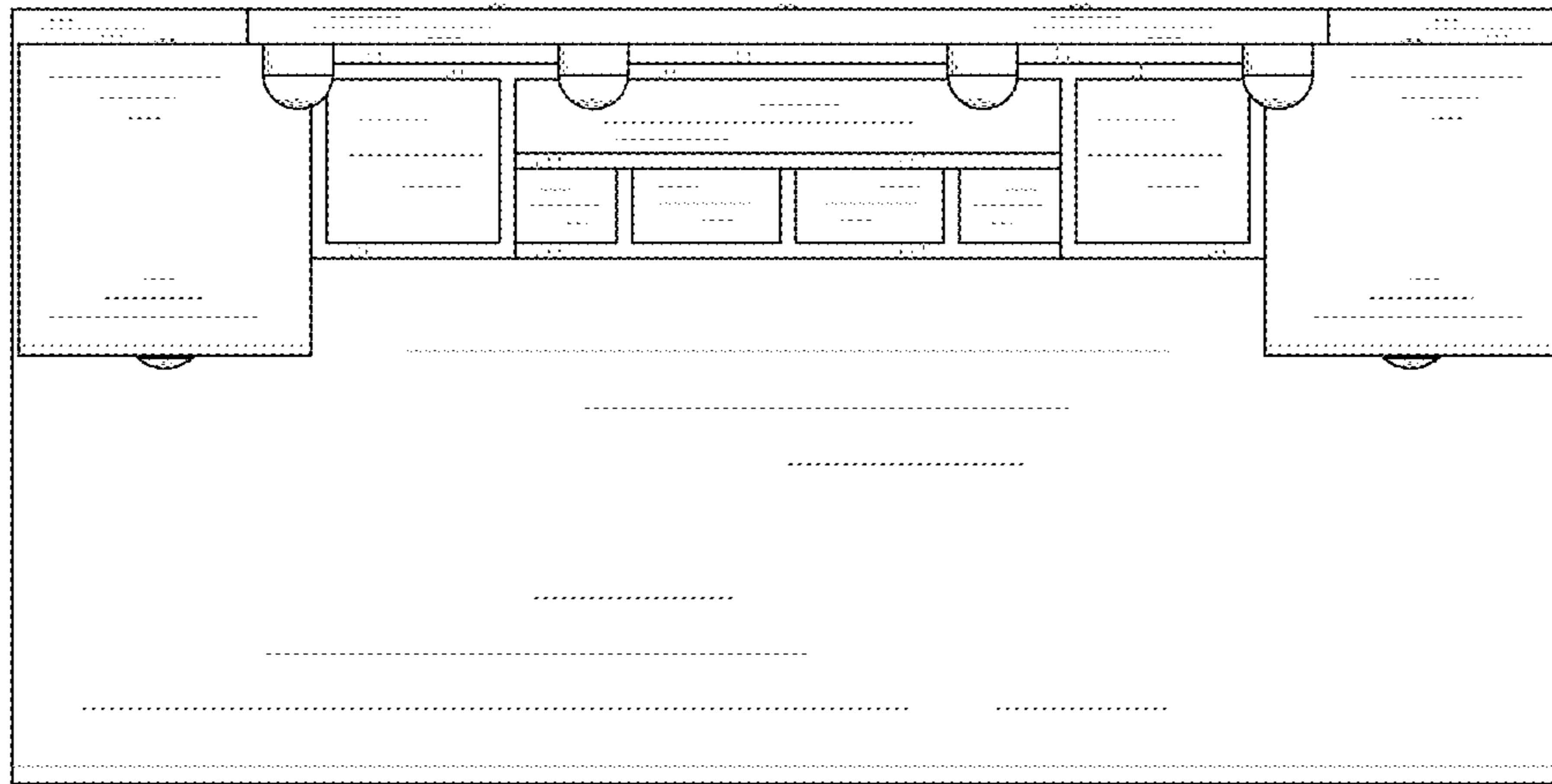


FIG.5

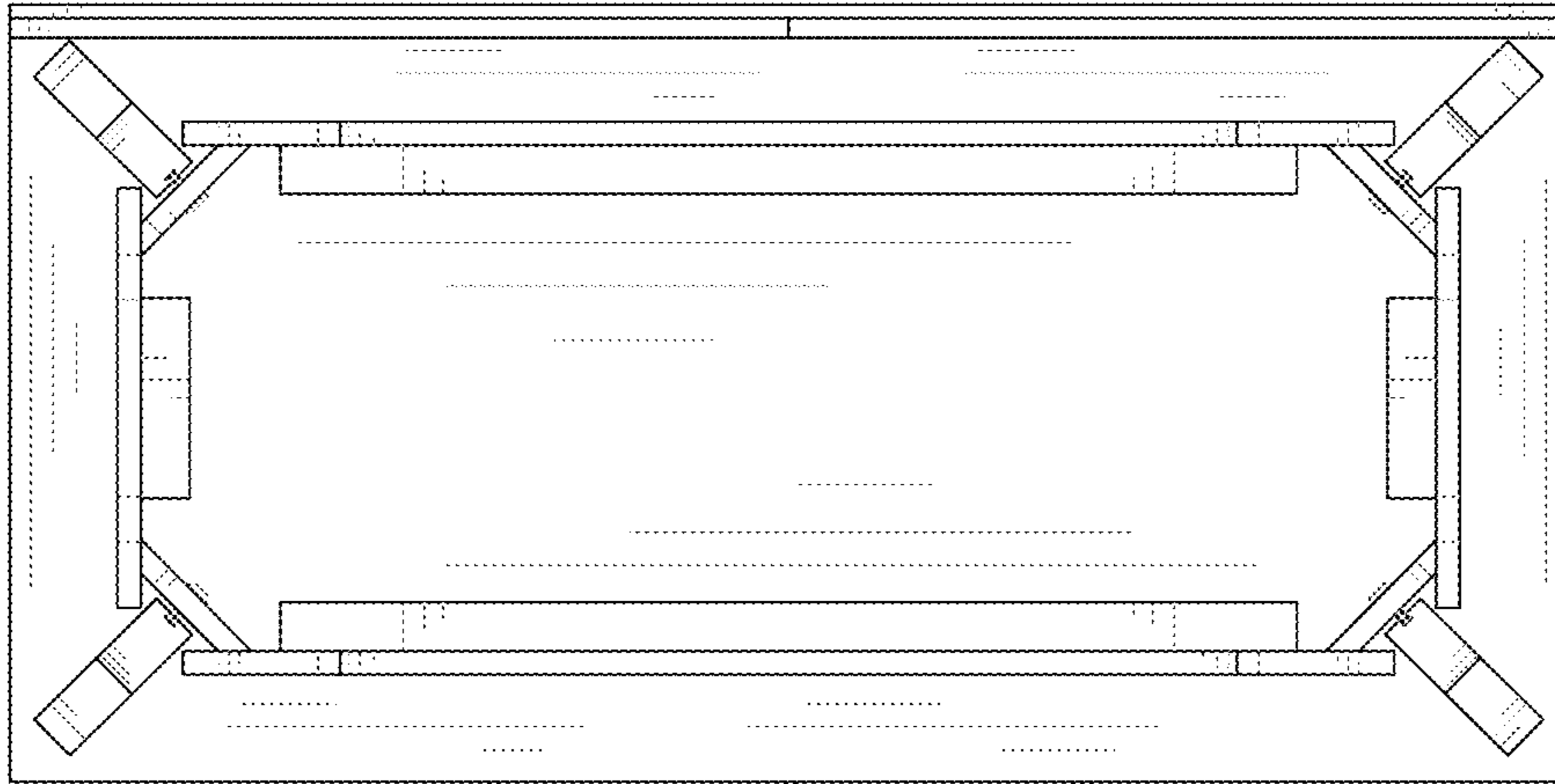


FIG. 6

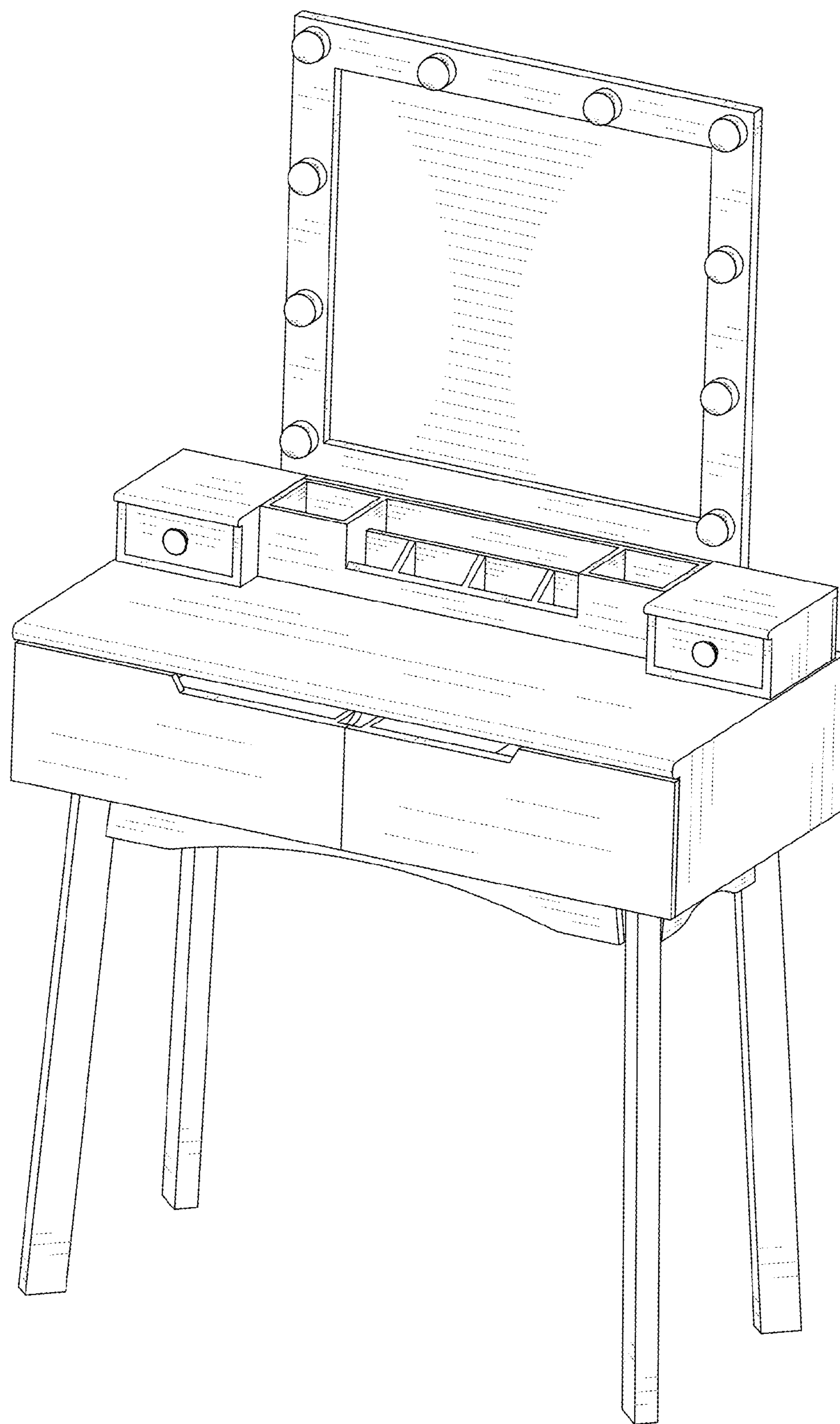


FIG. 7

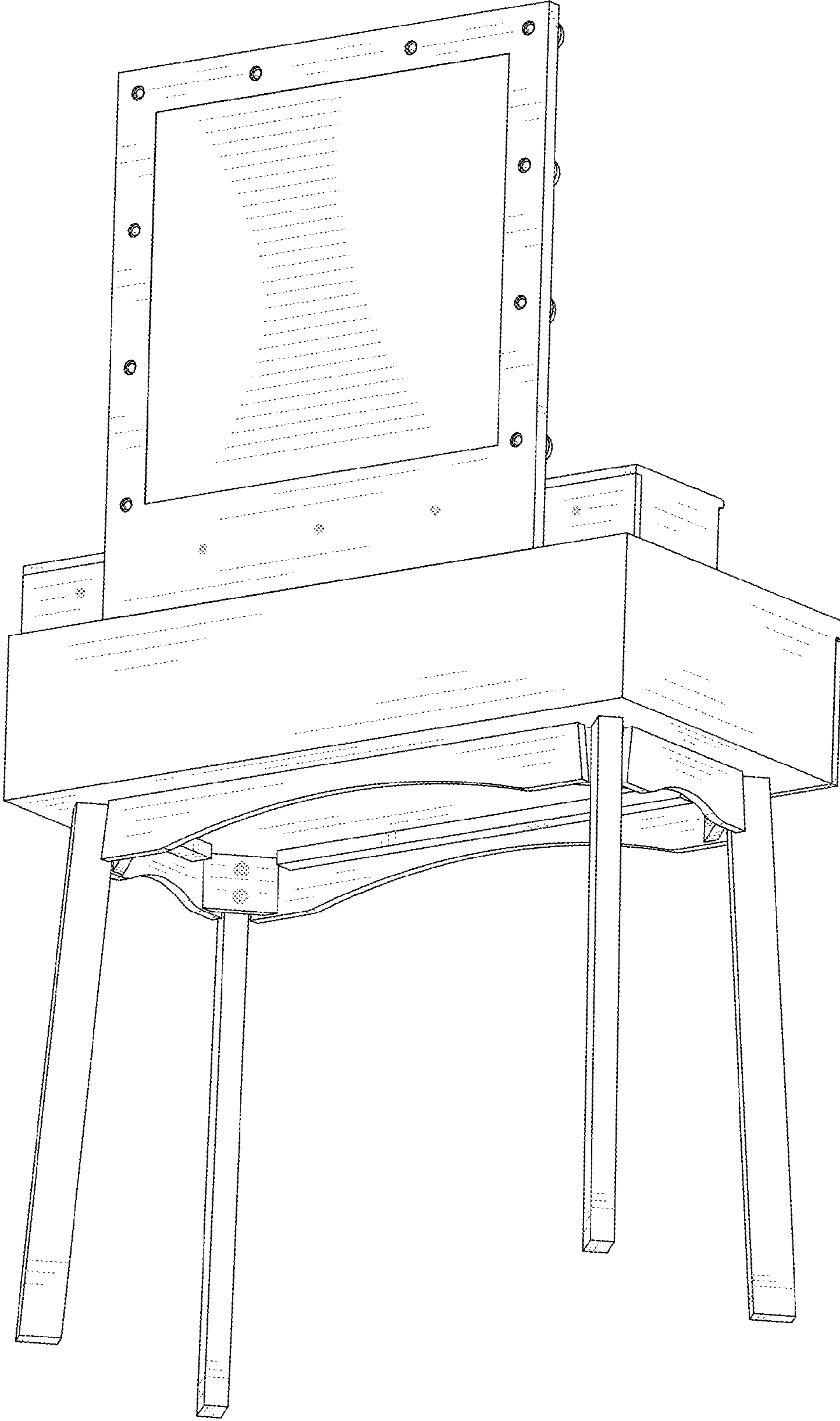


FIG. 8