



US00D923365S

(12) **United States Design Patent**
Wang

(10) **Patent No.:** **US D923,365 S**

(45) **Date of Patent:** **** Jun. 29, 2021**

(54) **DUST COVER**

(71) Applicant: **XIAMEN XINGHENGXING
IMPORT & EXPORT CO., LTD.,**
Xiamen (CN)

(72) Inventor: **Jiben Wang**, Xiamen (CN)

(73) Assignee: **XIAMEN XINGHENGXING
IMPORT & EXPORT CO., LTD.,**
Xiamen (CN)

D642,848 S *	8/2011	Van Note	D6/610
D702,973 S *	4/2014	Norland	D6/610
D819,368 S *	6/2018	Zemel	D6/610
D867,789 S *	11/2019	Fu	D6/610
D884,390 S *	5/2020	Wang	D6/610
D884,391 S *	5/2020	Wang	D6/610
D890,818 S *	7/2020	Wang	D15/78
D899,822 S *	10/2020	Wang	D6/610
D901,214 S *	11/2020	Hu	D6/610
D915,769 S *	4/2021	Wang	D3/283
2001/0038023 A1 *	11/2001	Trevino	A45C 13/002 224/153

* cited by examiner

(**) Term: **15 Years**

Primary Examiner — Katrina A Betton

(21) Appl. No.: **29/721,737**

(57) **CLAIM**

(22) Filed: **Jan. 23, 2020**

The ornamental design for a dust cover, as shown and described.

(51) **LOC (13) Cl.** **06-13**

(52) **U.S. Cl.**
USPC **D6/610**

DESCRIPTION

(58) **Field of Classification Search**
USPC D12/195, 222, 401-405, 416; D6/610,
D6/611, 596, 601, 602, 603, 615, 617,
D6/621; D7/332, 334-337
CPC B60R 7/043; B60N 2/60
See application file for complete search history.

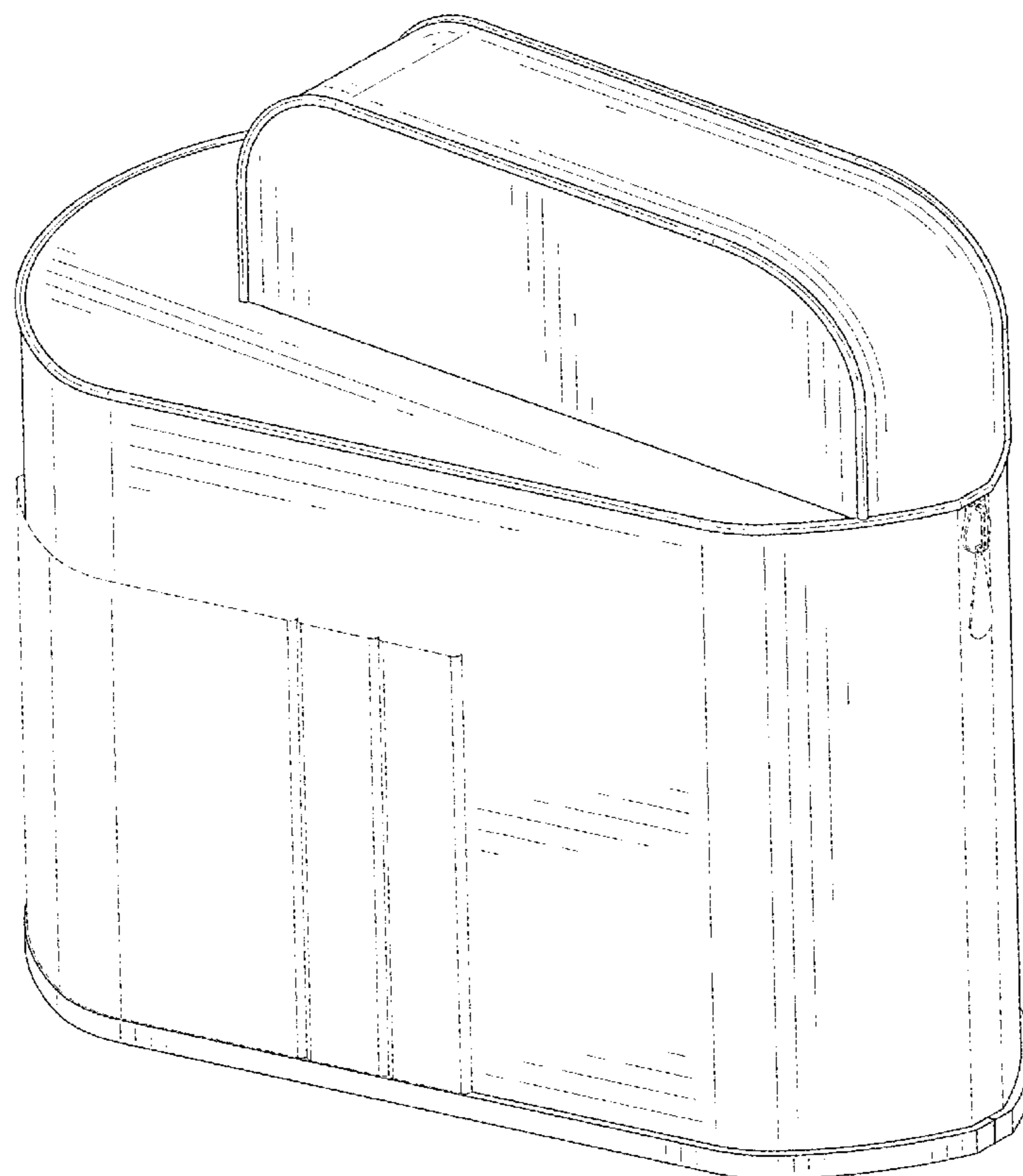
FIG. 1 is a perspective view of a dust cover showing my new design;
FIG. 2 is another perspective view thereof;
FIG. 3 is a front elevational view thereof;
FIG. 4 is a rear elevational view thereof;
FIG. 5 is a left side elevational view thereof;
FIG. 6 is a right side elevational view thereof;
FIG. 7 is a top plan view thereof; and,
FIG. 8 is a bottom plan view thereof.
The broken lines in the drawings depict portions of the dust cover that form no part of the claimed design.

(56) **References Cited**

U.S. PATENT DOCUMENTS

D290,678 S *	7/1987	Johnson	D7/387
D455,151 S *	4/2002	Lapresca	D14/440

1 Claim, 8 Drawing Sheets



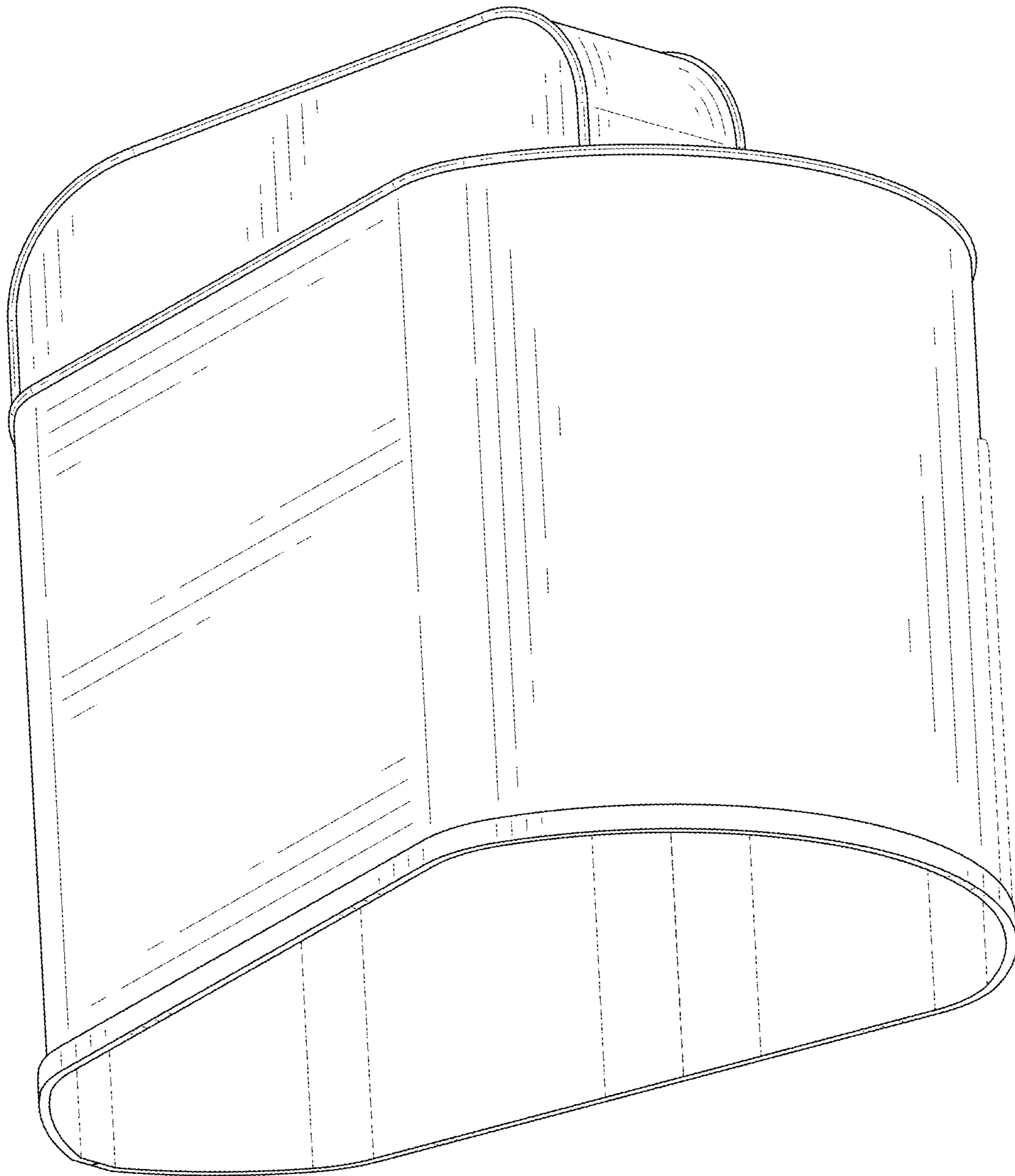


FIG. 1

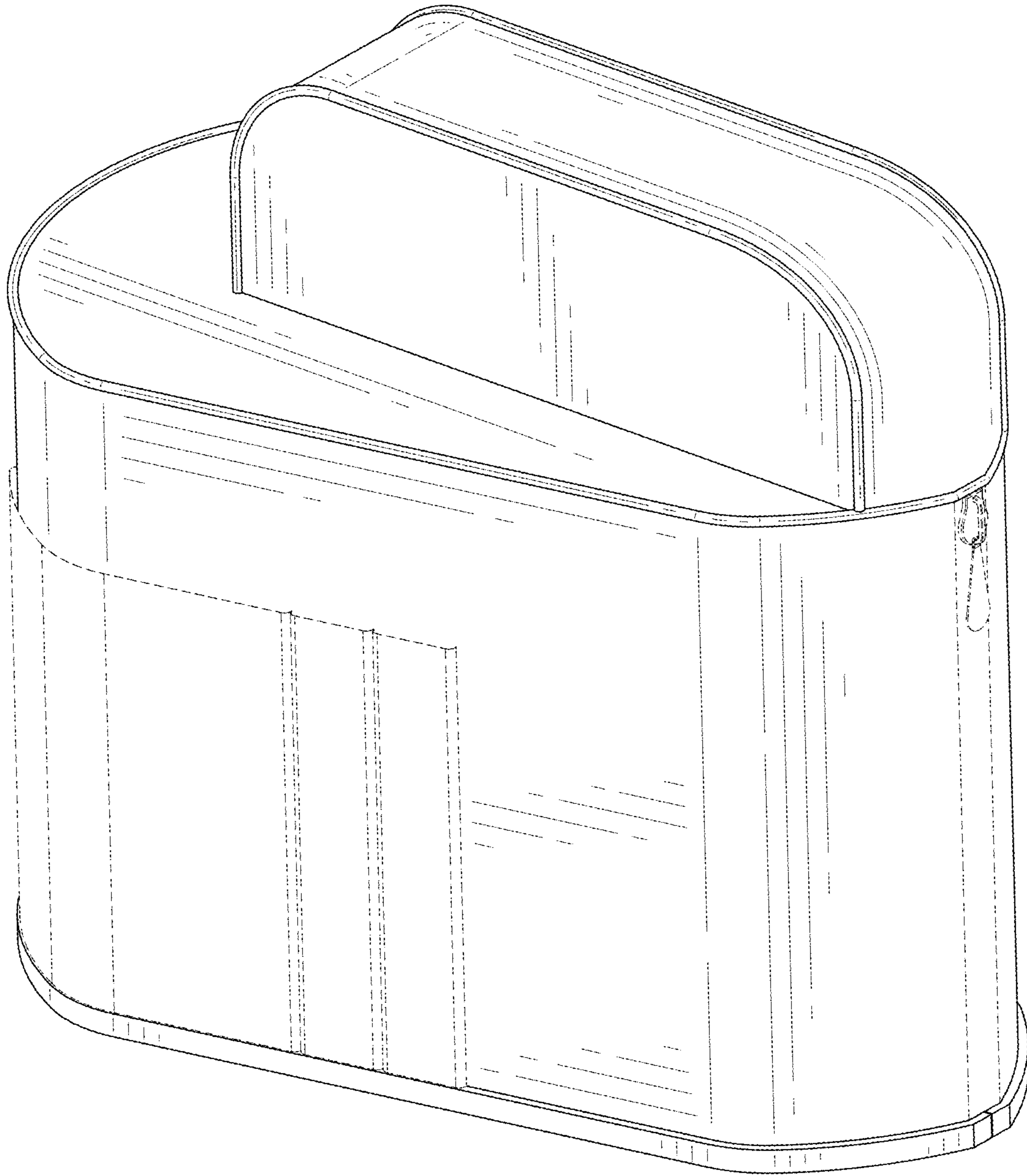


FIG. 2

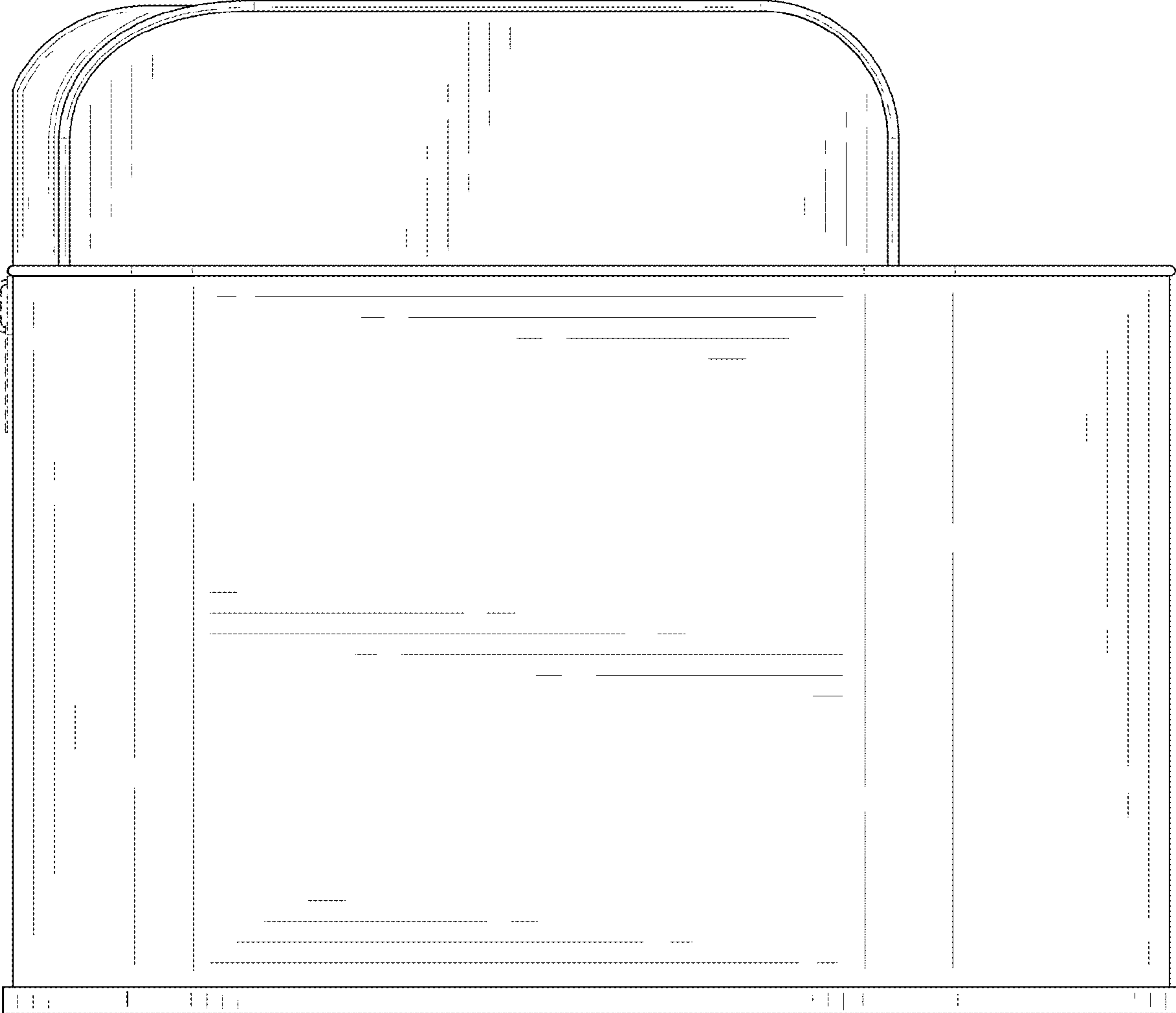


FIG. 3

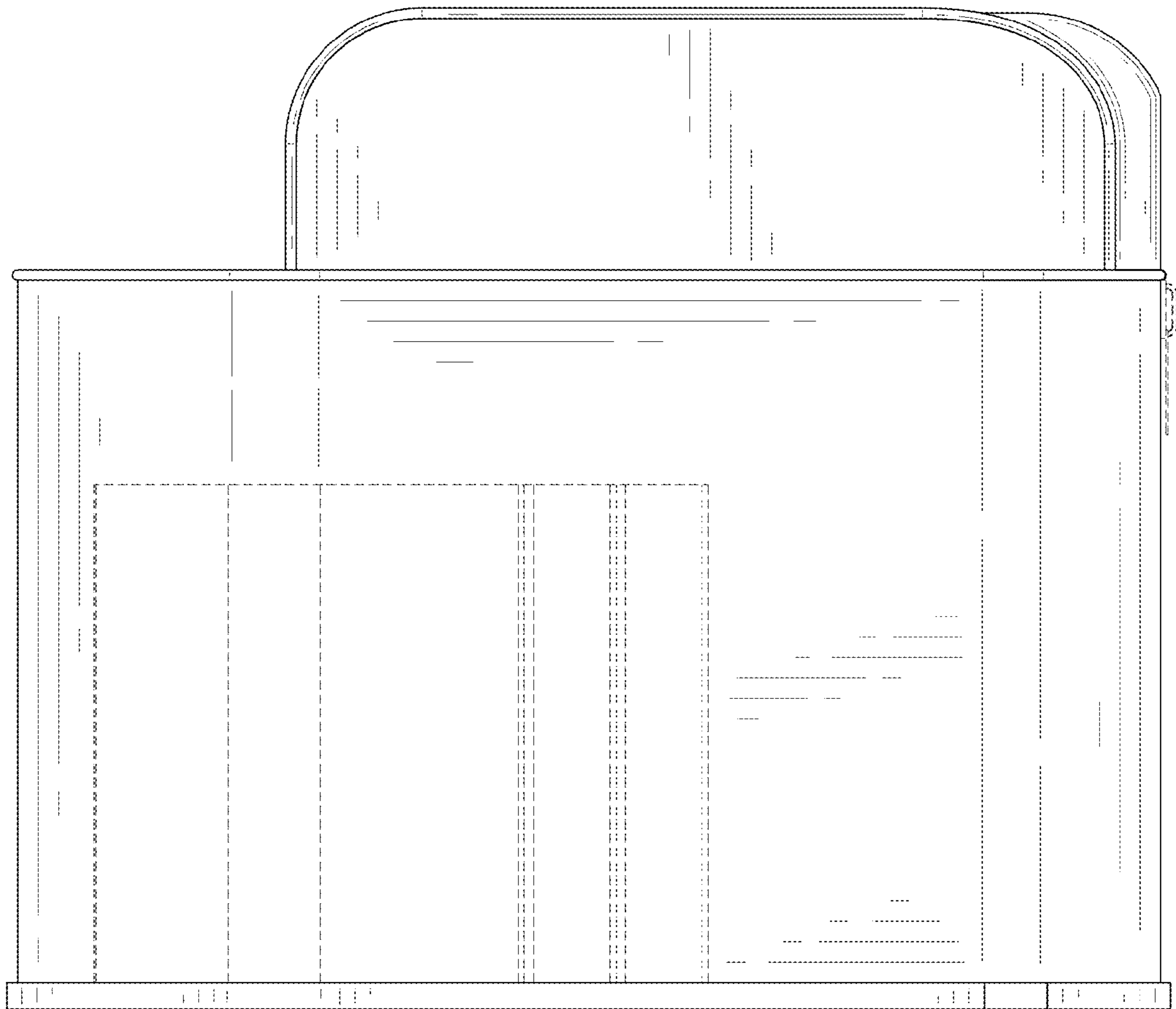


FIG. 4

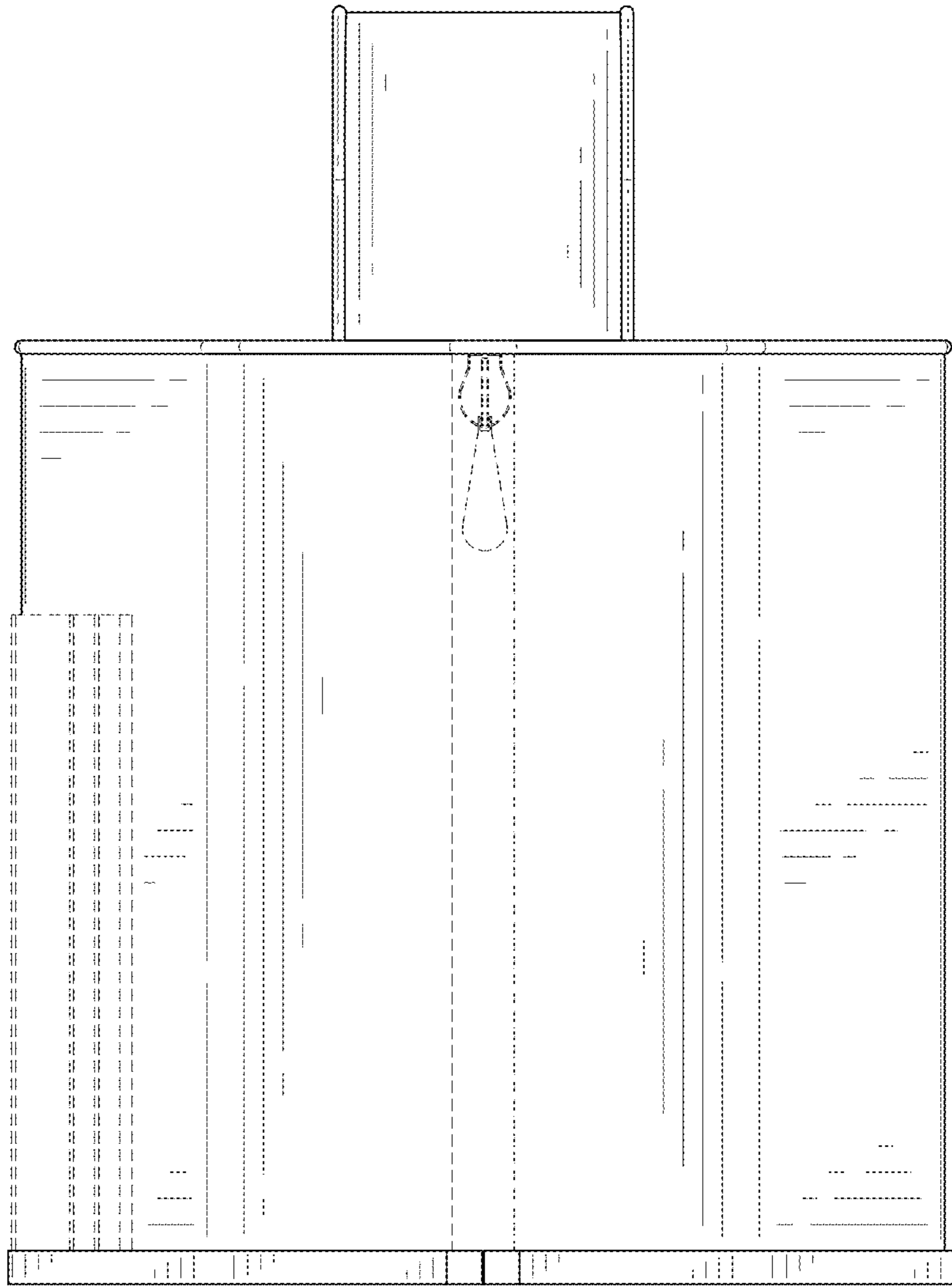


FIG. 5

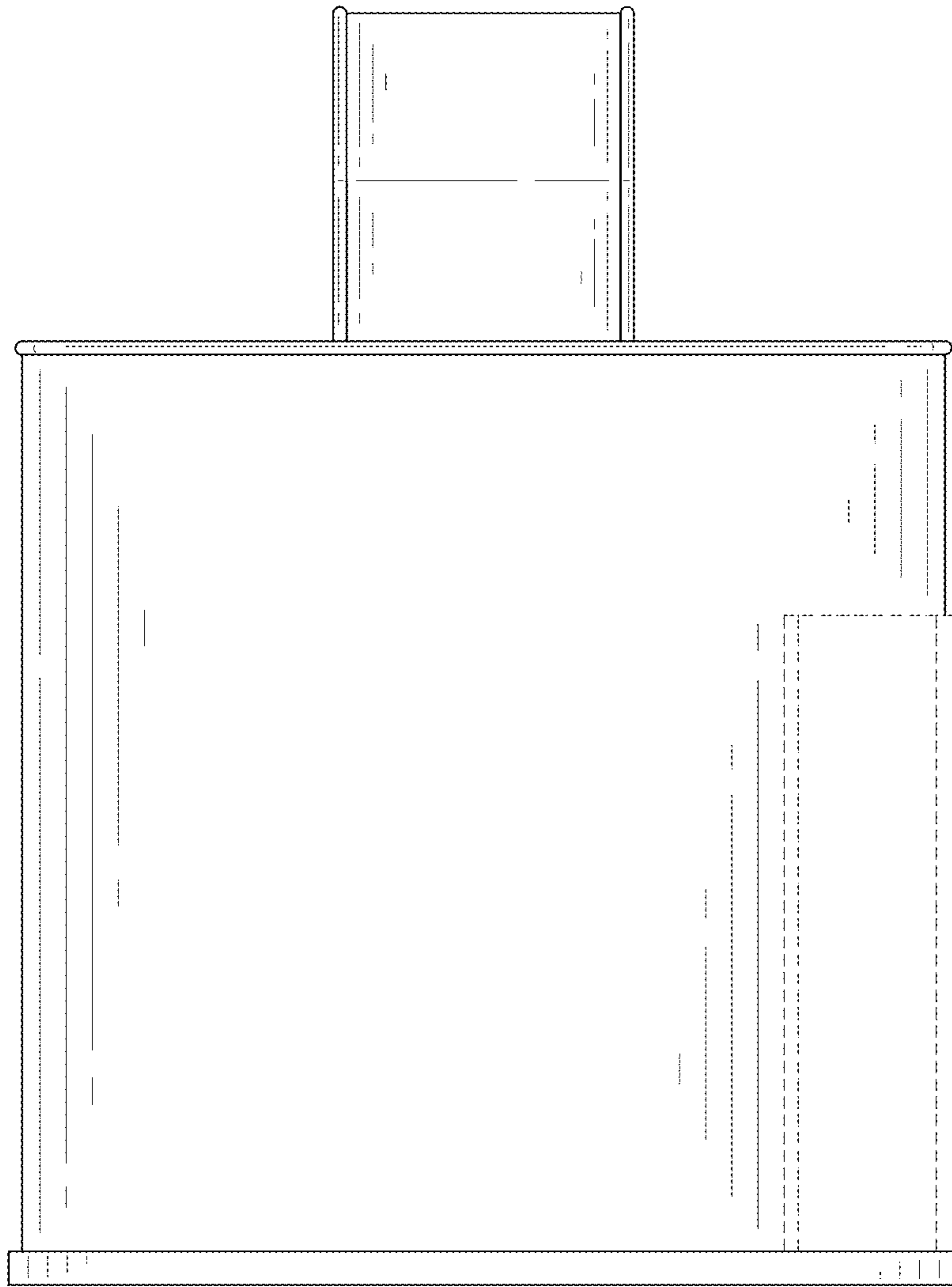


FIG. 6

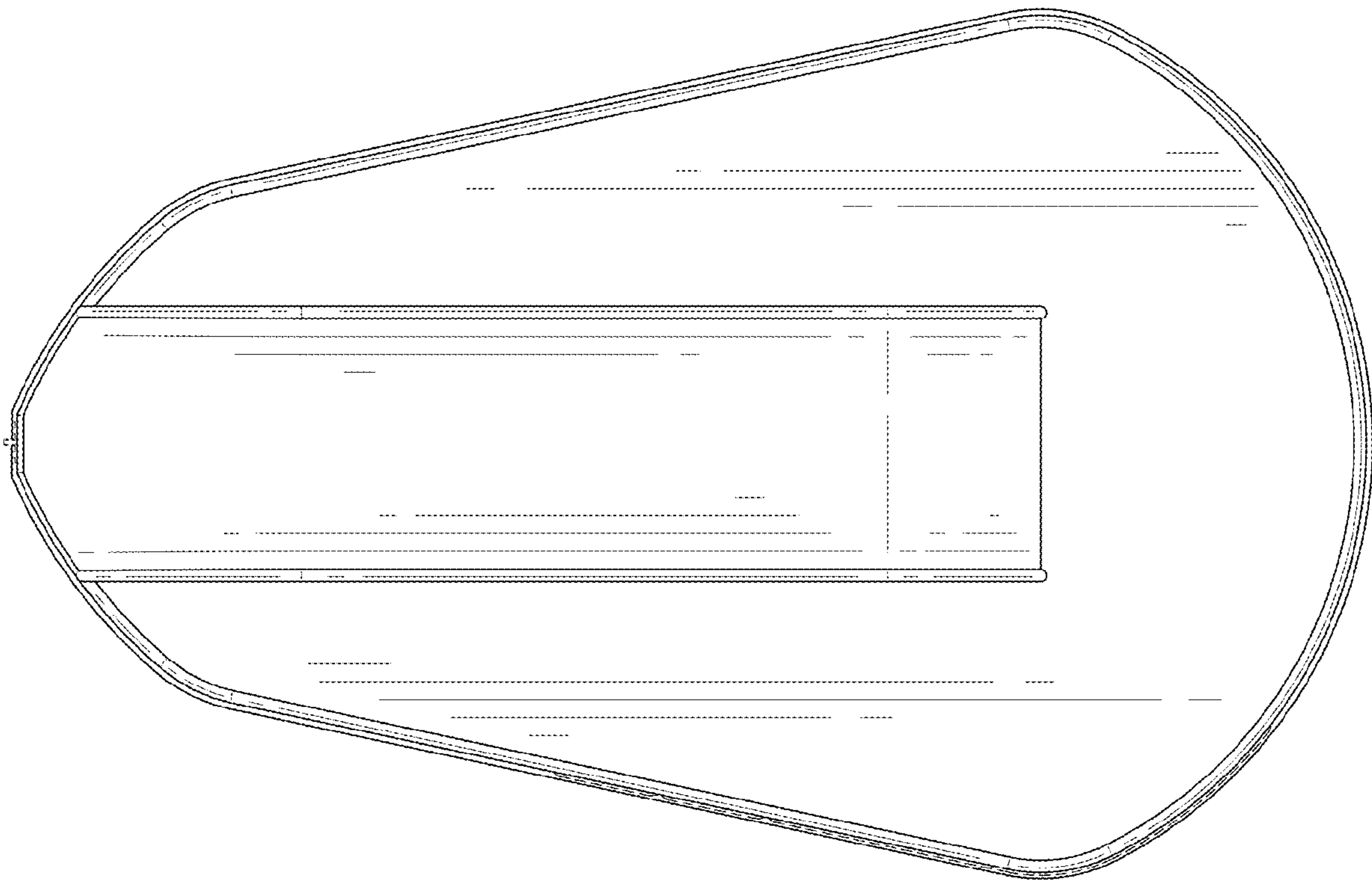


FIG. 7

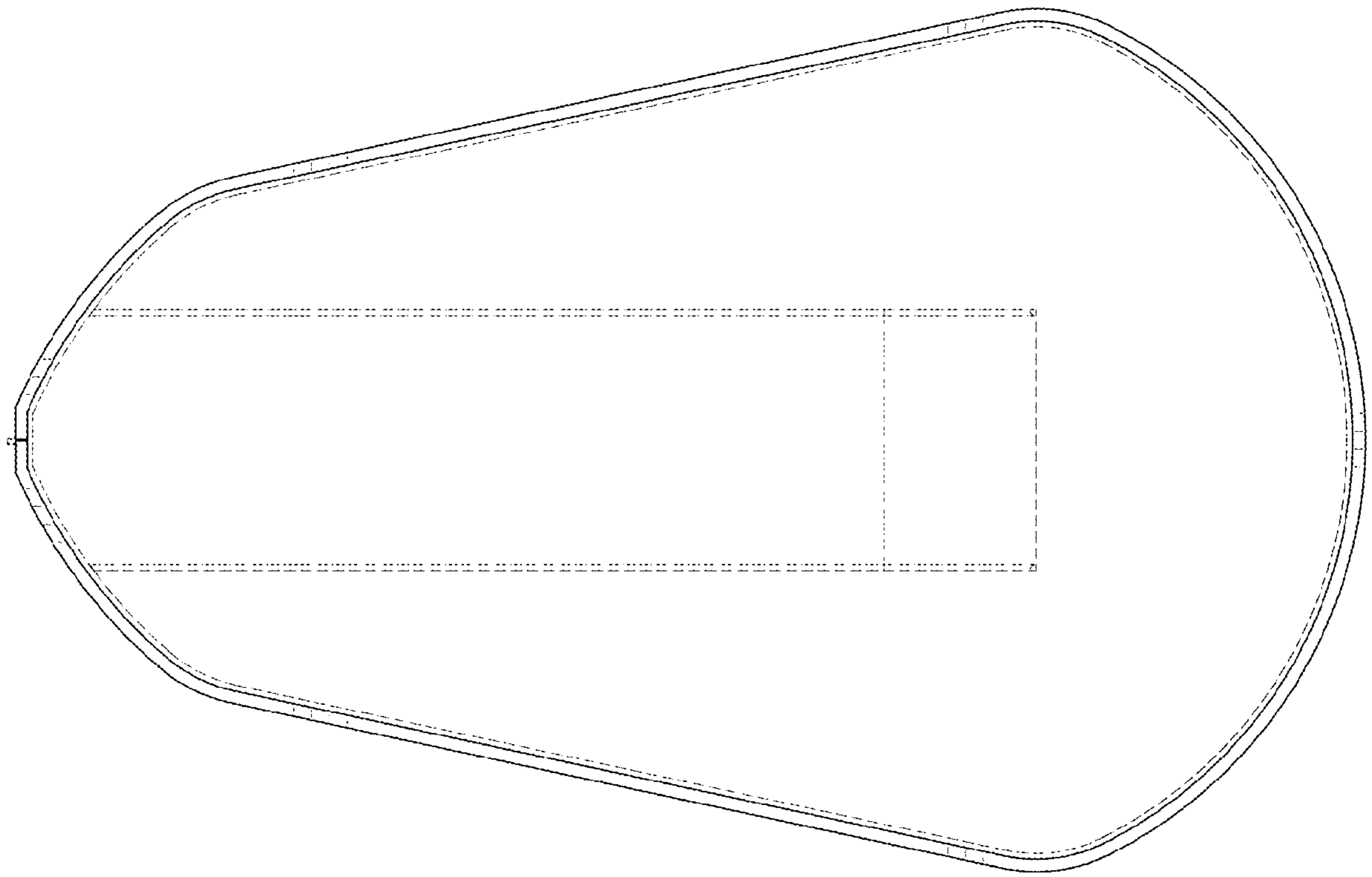


FIG. 8