



US00D923359S

(12) **United States Design Patent**
Zhou

(10) **Patent No.:** **US D923,359 S**
(45) **Date of Patent:** **** Jun. 29, 2021**

(54) **CAR PILLOW**
(71) Applicant: **SHEN ZHEN STAND BY ME TECHNOLOGY LIMITED**, Shenzhen (CN)

(72) Inventor: **Zhiping Zhou**, Huizhou (CN)

(73) Assignee: **SHEN ZHEN STAND BY ME TECHNOLOGY LIMITED**, Shenzhen (CN)

(**) Term: **15 Years**

(21) Appl. No.: **29/698,888**

(22) Filed: **Jul. 21, 2019**

(30) **Foreign Application Priority Data**

Feb. 1, 2019 (CN) 201930059262.9

(51) **LOC (13) Cl.** **06-09**

(52) **U.S. Cl.**
USPC **D6/601**

(58) **Field of Classification Search**

USPC D6/601, 655, 716.1, 716.2, 716.3, 716.4, D6/716.5, 716.6, 716.7; D24/189, 184, D24/188, 190; D12/415, 416, 417, 418, D12/419

CPC B60N 2/885; B60N 2/844; B60N 2/882; B60N 2/874; A47C 7/383; H04R 5/023; A42B 3/166

See application file for complete search history.

(56) **References Cited**

U.S. PATENT DOCUMENTS

4,679,262 A * 7/1987 Davis A47C 7/383 297/391

D325,144 S * 4/1992 Mason D6/356

D358,957 S * 6/1995 Propp D6/601

6,669,300 B1 * 12/2003 Lee B60N 2/882 297/397

D542,071 S * 5/2007 Chan D6/601

D683,691 S * 6/2013 Rowsey D12/416

(Continued)

Primary Examiner — Susan E Krakower

Assistant Examiner — Jerry Shiuuan-Hua Hsu

(74) *Attorney, Agent, or Firm* — ScienBiziP, P.C.

(57) **CLAIM**

The ornamental design for a car pillow, as shown and described.

DESCRIPTION

FIG. 1 is a perspective view of a car pillow, showing my new design according to a first embodiment;

FIG. 2 is a front view thereof;

FIG. 3 is a rear view thereof;

FIG. 4 is a left side view thereof;

FIG. 5 is a right side view thereof;

FIG. 6 is a top plan view thereof; and

FIG. 7 is a bottom plan view thereof.

FIG. 8 is a perspective view of a car pillow, showing my new design according to a second embodiment;

FIG. 9 is a front view thereof;

FIG. 10 is a rear view thereof;

FIG. 11 is a left side view thereof;

FIG. 12 is a right side view thereof;

FIG. 13 is a top plan view thereof; and

FIG. 14 is a bottom plan view thereof.

FIG. 15 is a perspective view of a car pillow, showing my new design according to a third embodiment;

FIG. 16 is a front view thereof;

FIG. 17 is a rear view thereof;

FIG. 18 is a left side view thereof;

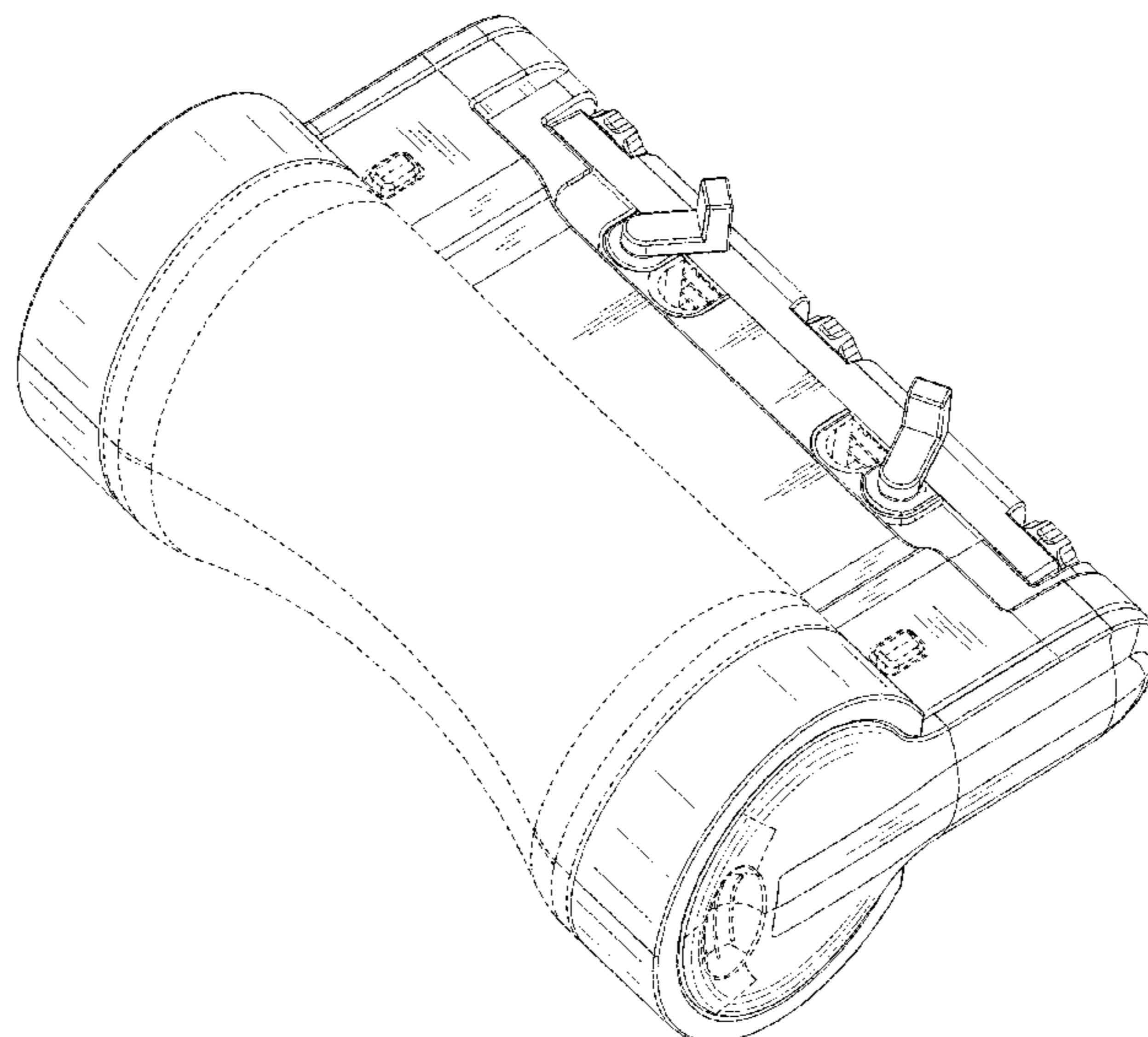
FIG. 19 is a right side view thereof;

FIG. 20 is a top plan view thereof; and,

FIG. 21 is a bottom plan view thereof.

The broken line shown are included for the purpose of illustrating portions of the car pillow which form no part of the claimed design.

1 Claim, 21 Drawing Sheets



(56)

References Cited

U.S. PATENT DOCUMENTS

D732,313 S * 6/2015 Fux D6/601
D787,232 S * 5/2017 Kassab Arabo D6/601
D816,855 S * 5/2018 Neseem D24/190
D826,596 S * 8/2018 Yang D6/601
D831,385 S * 10/2018 Wyborn D6/601
D852,564 S * 7/2019 Li D6/716.5
2018/0281638 A1* 10/2018 Chu B60N 2/882

* cited by examiner

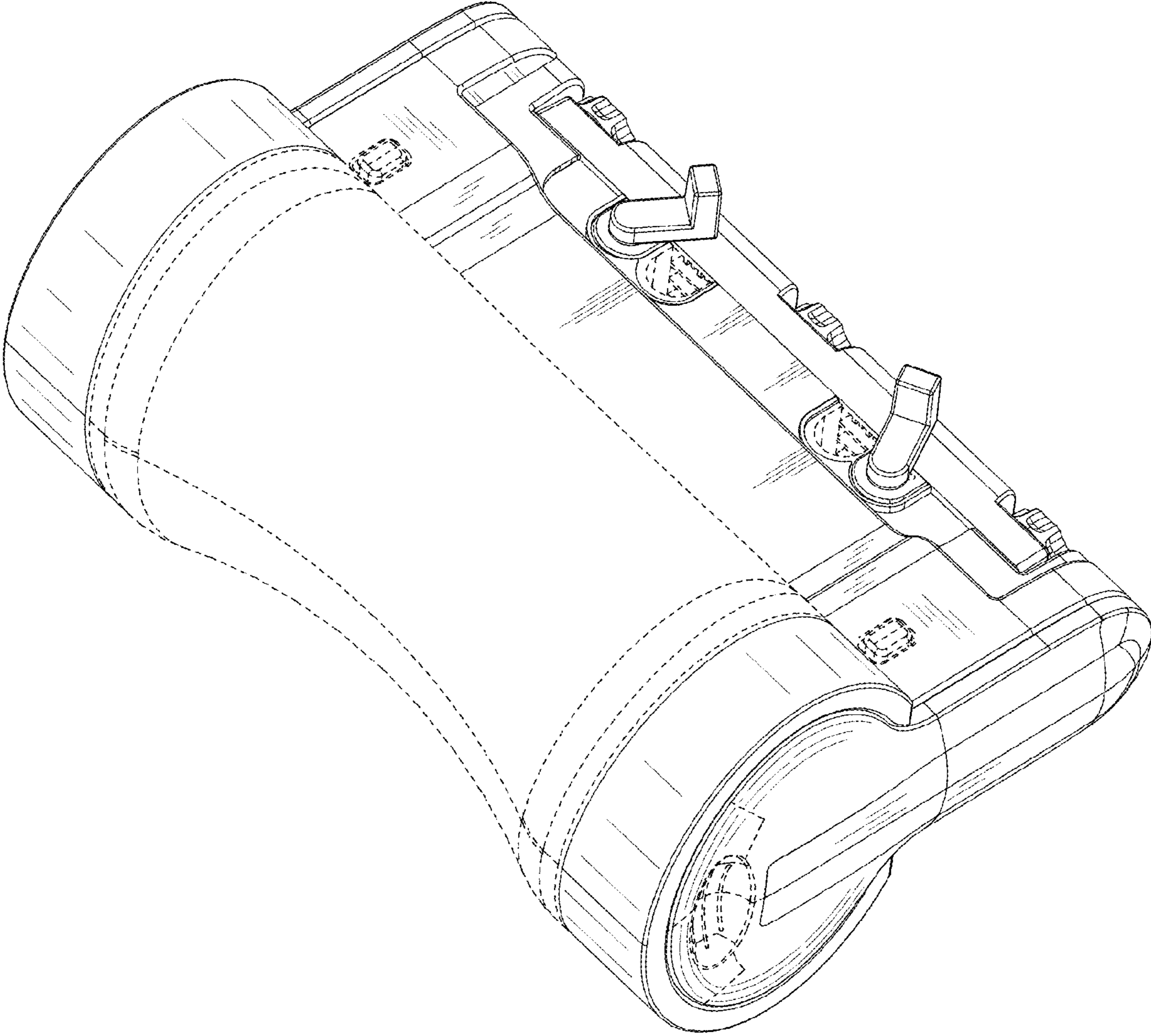


FIG. 1

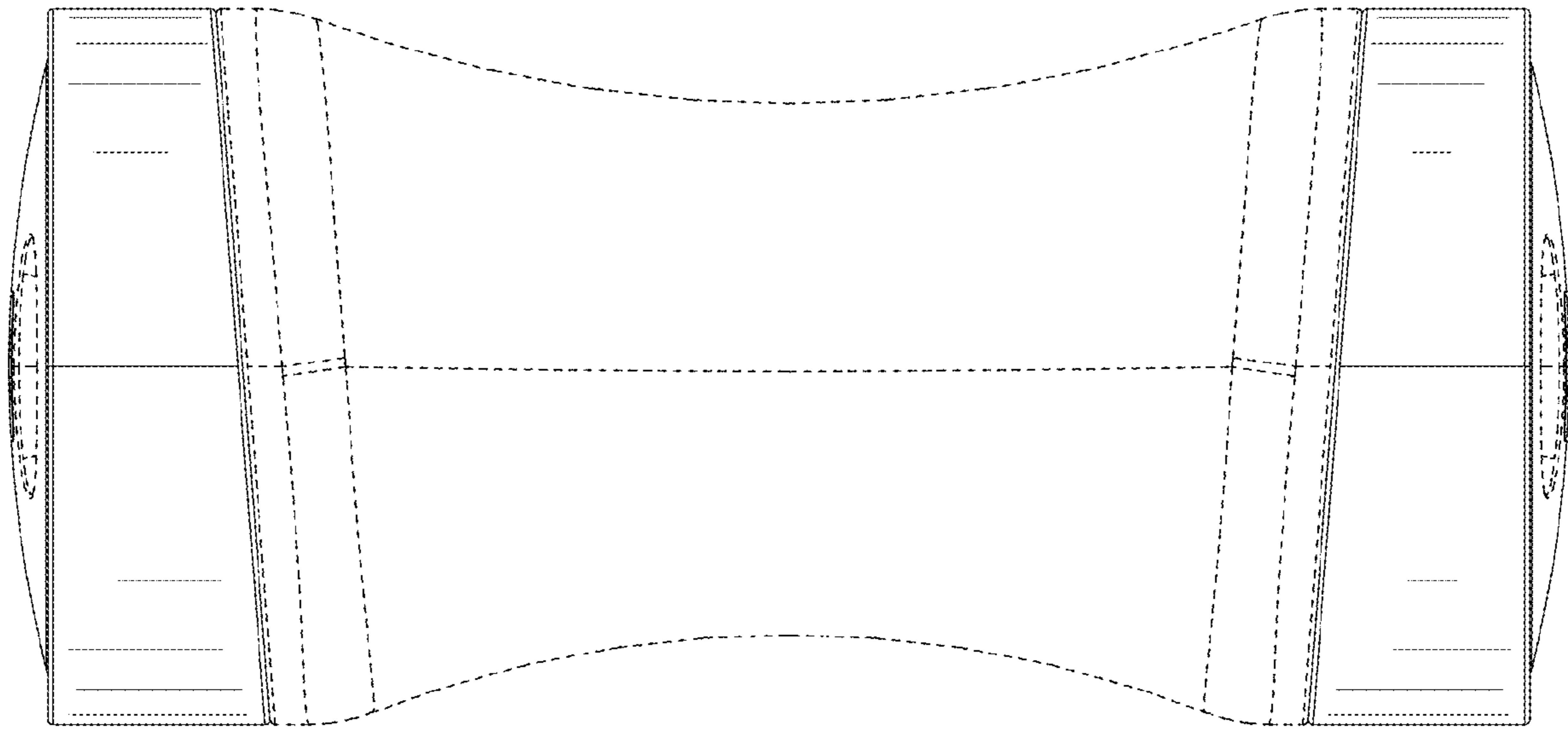


FIG. 2

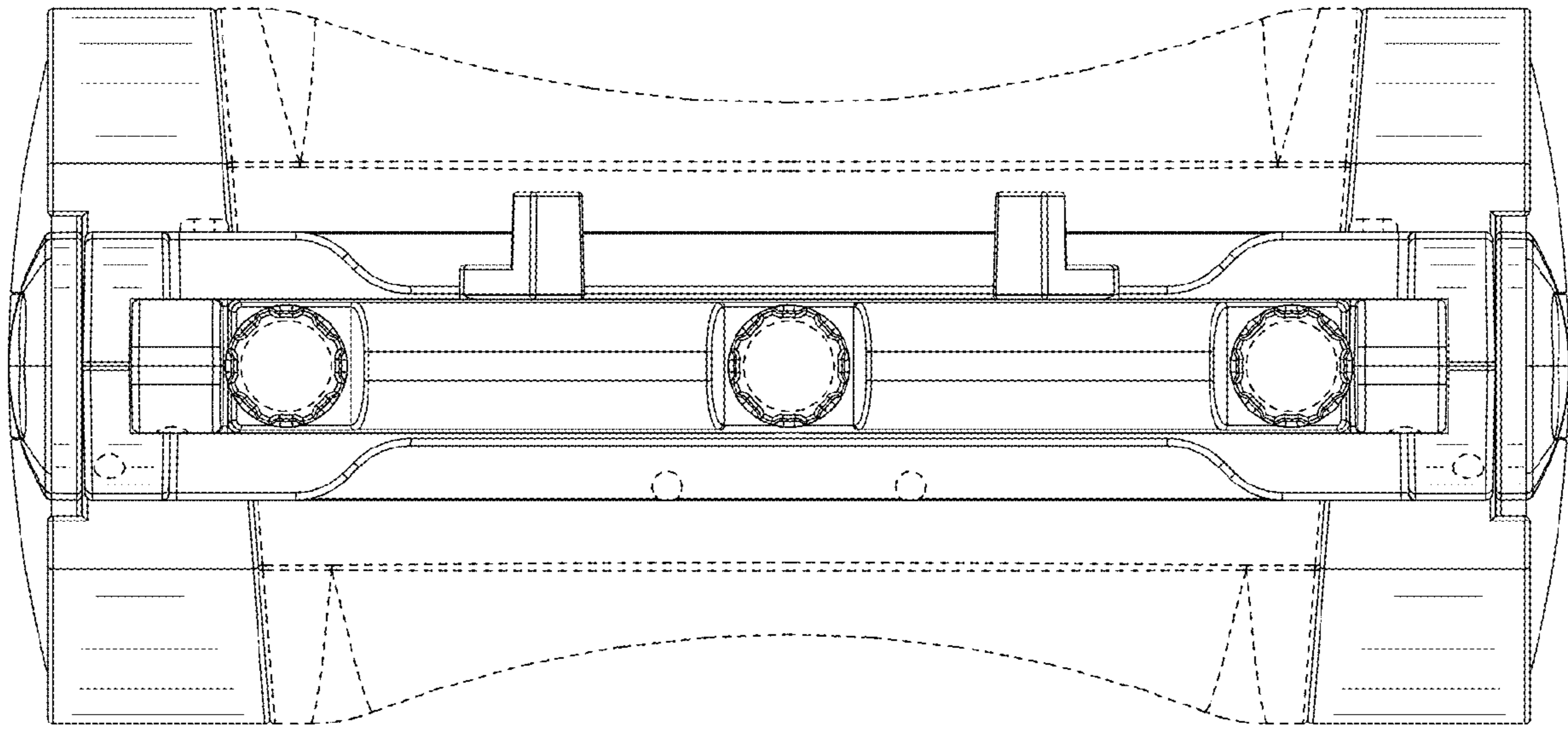


FIG. 3

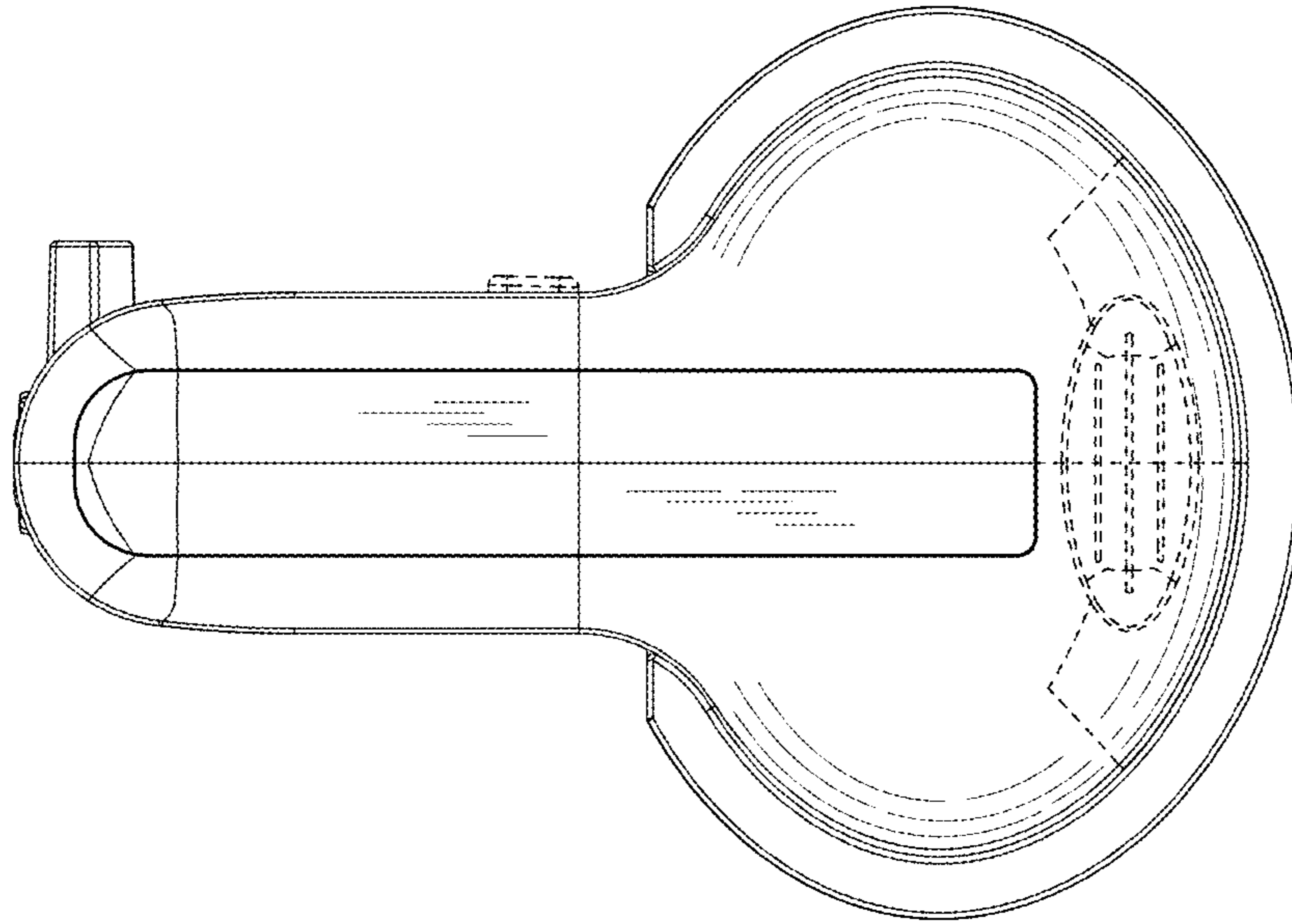


FIG. 4

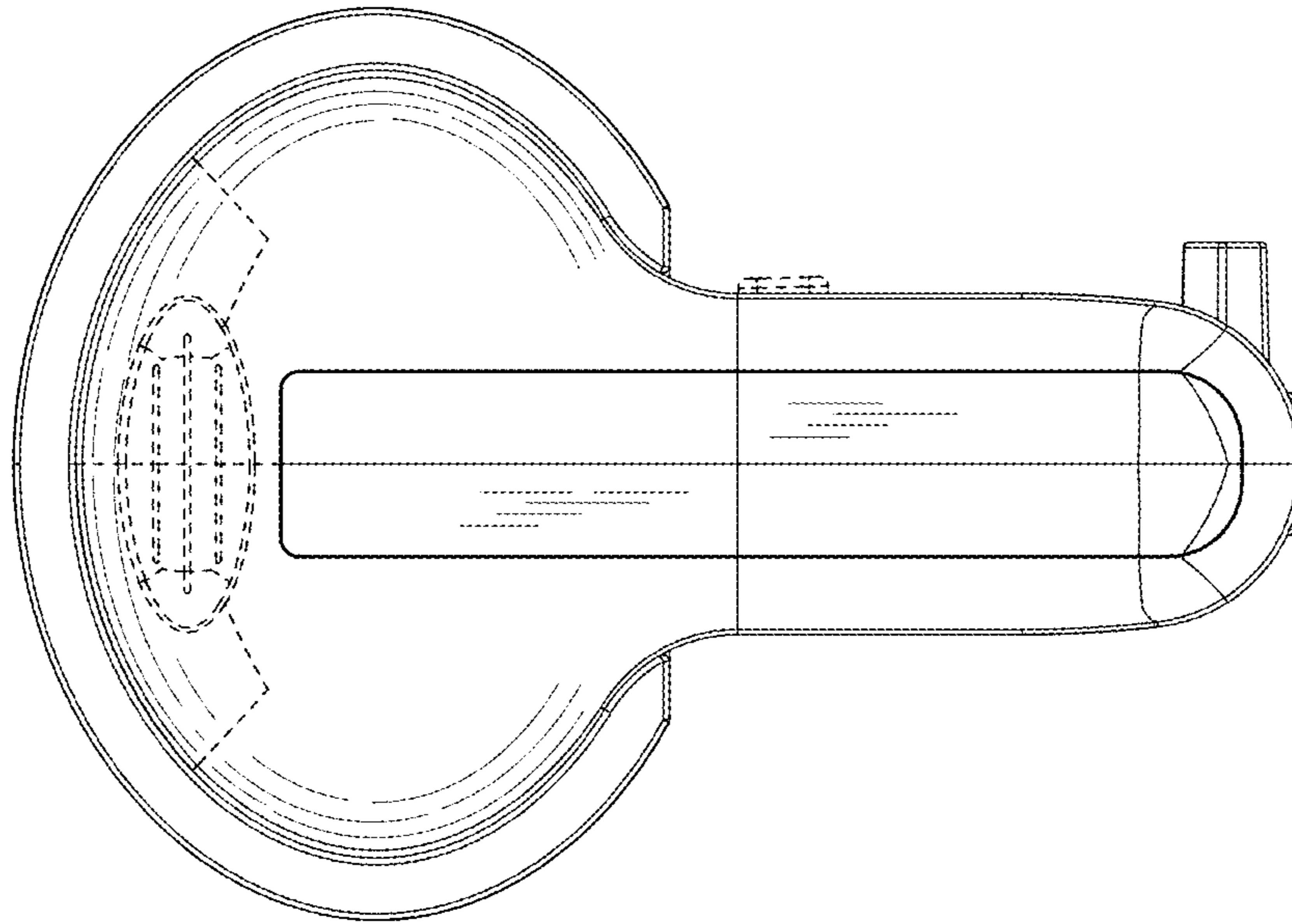


FIG. 5

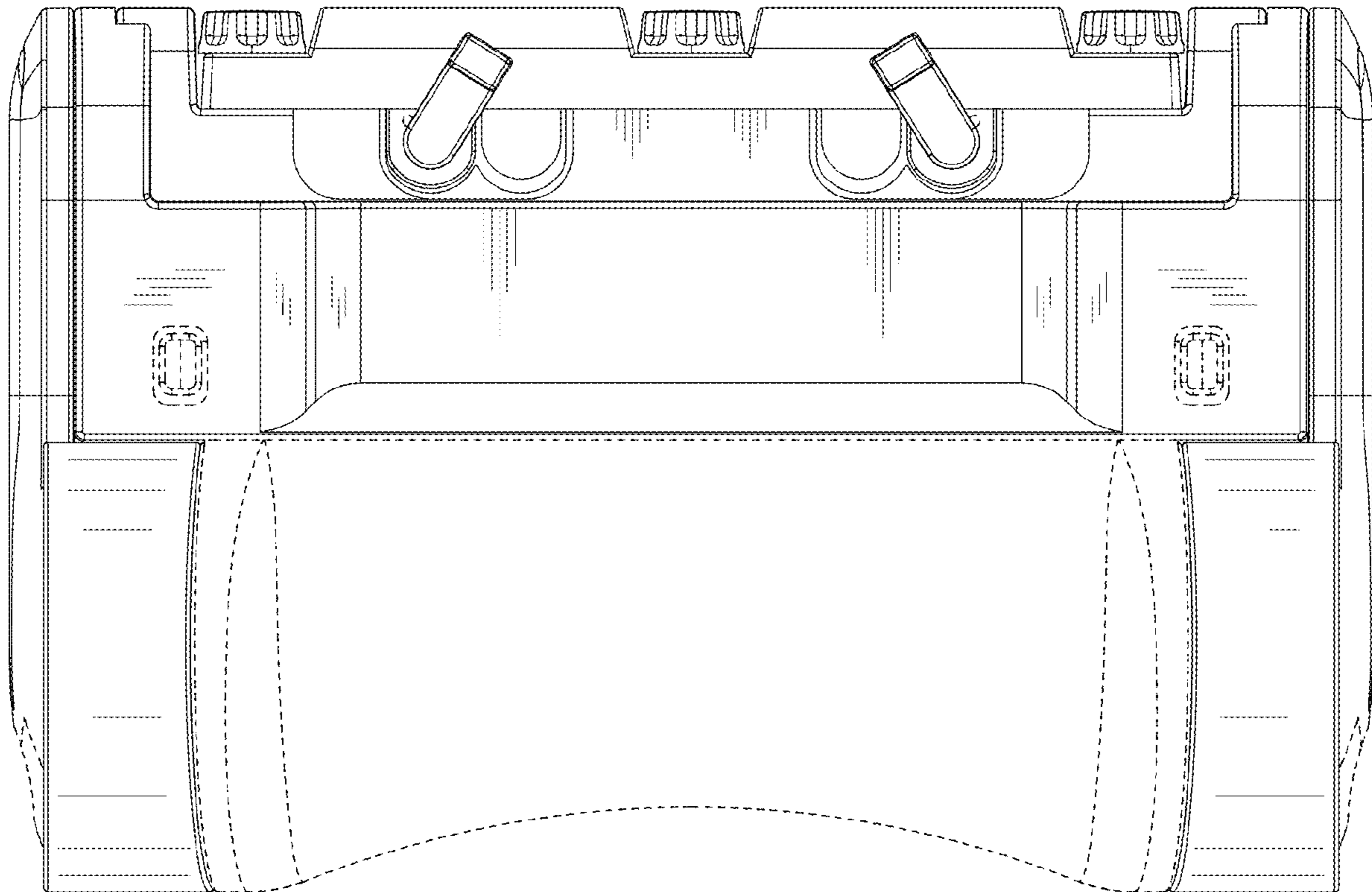


FIG. 6

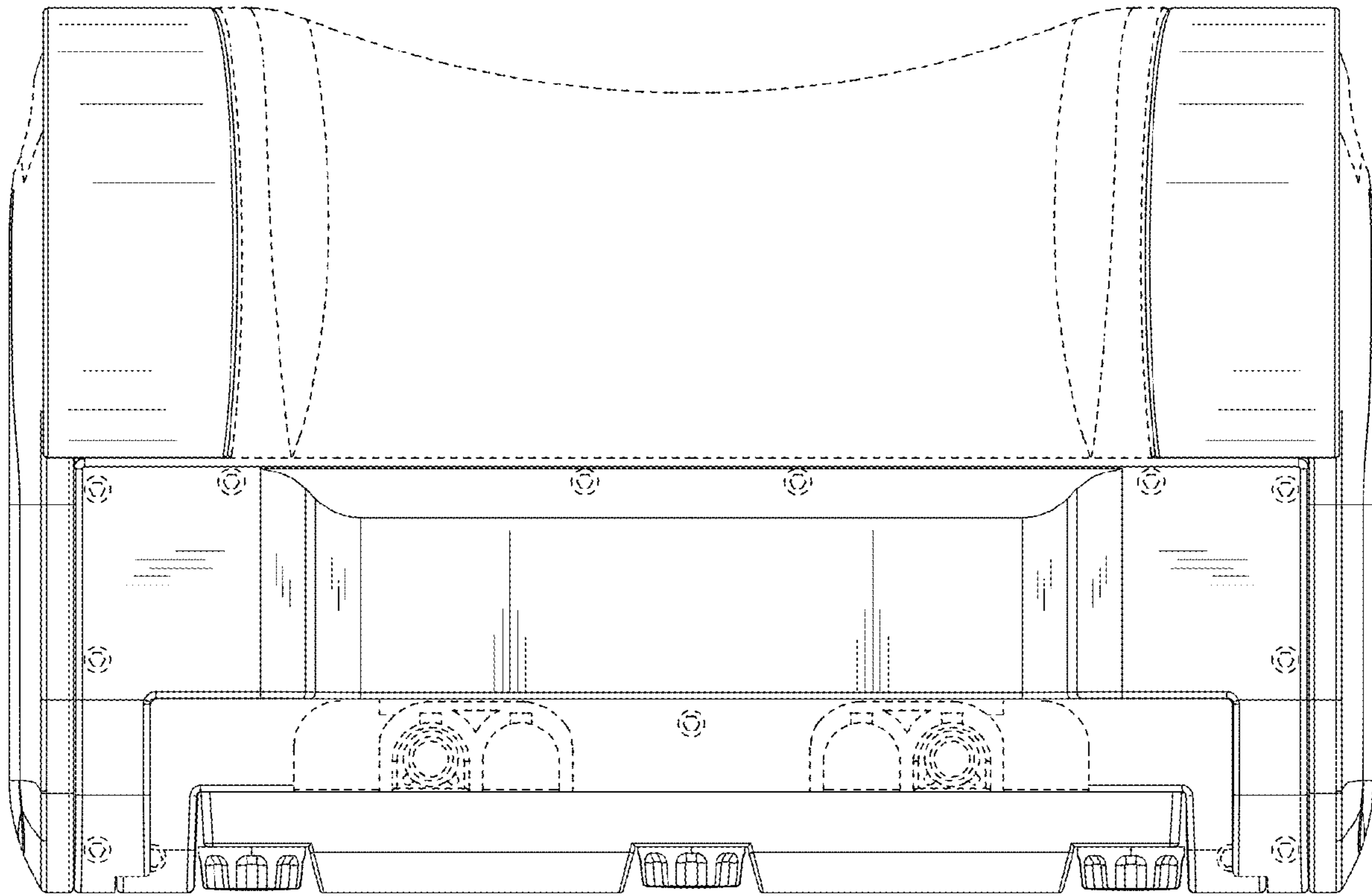


FIG. 7

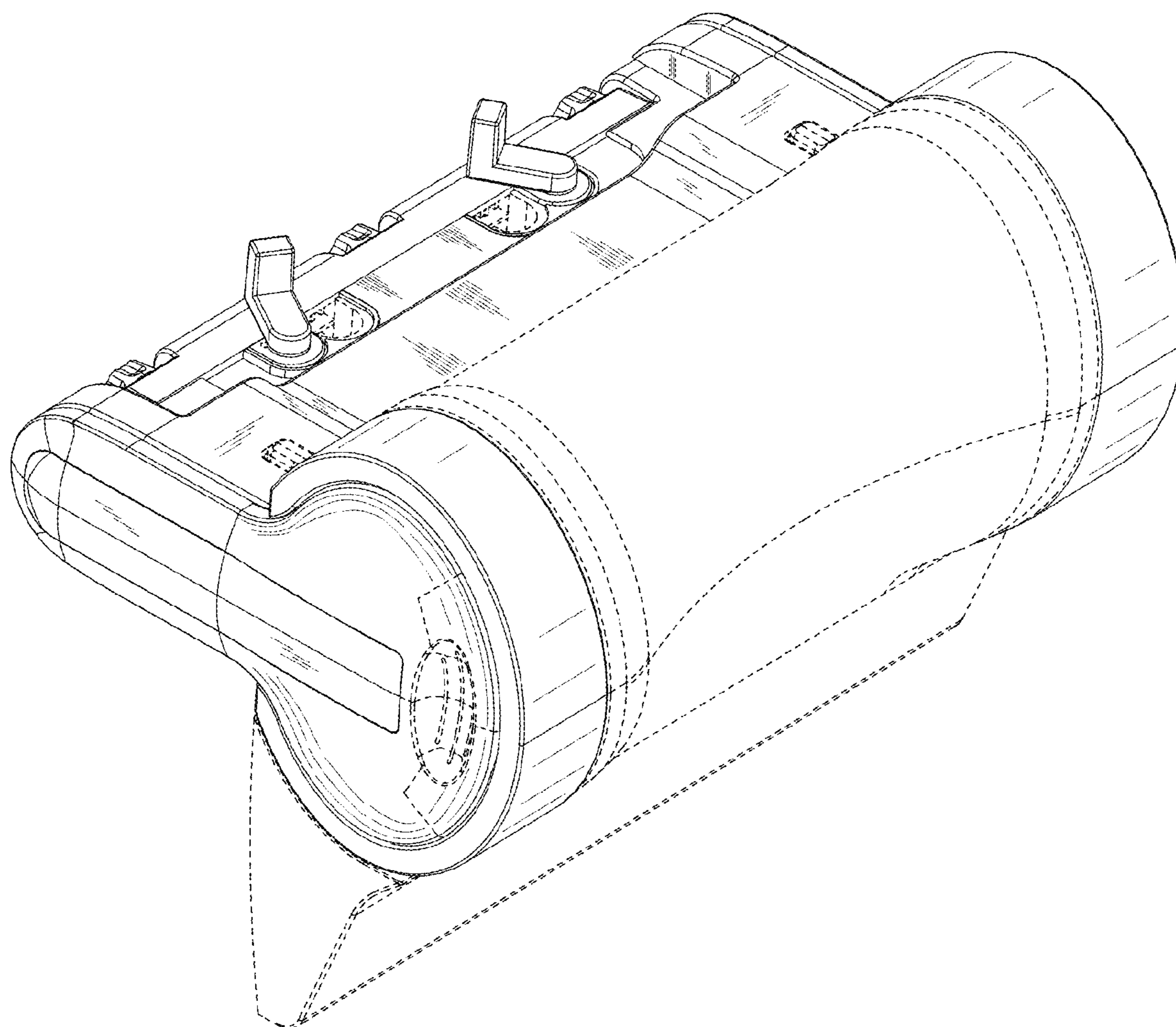


FIG. 8

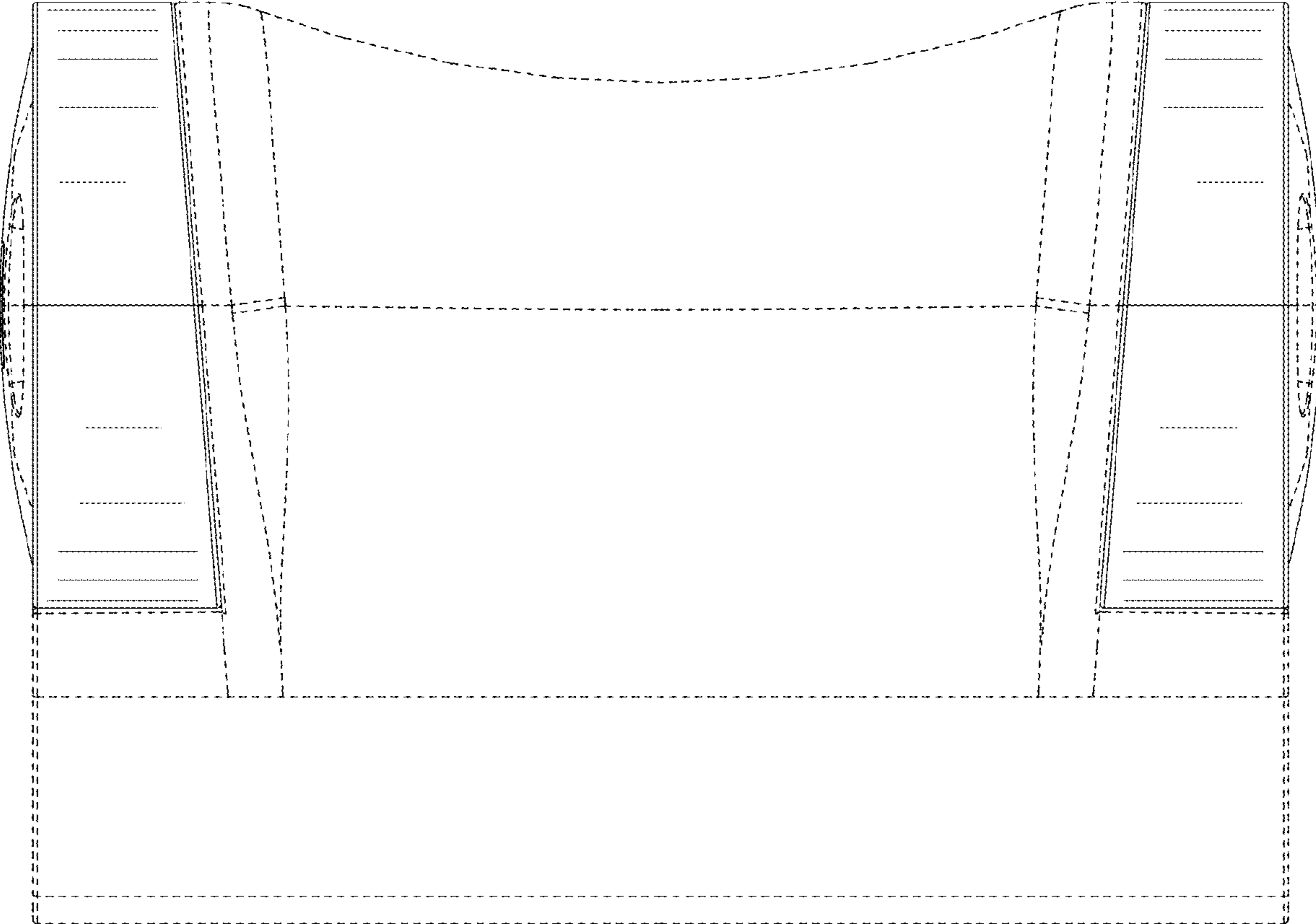


FIG. 9

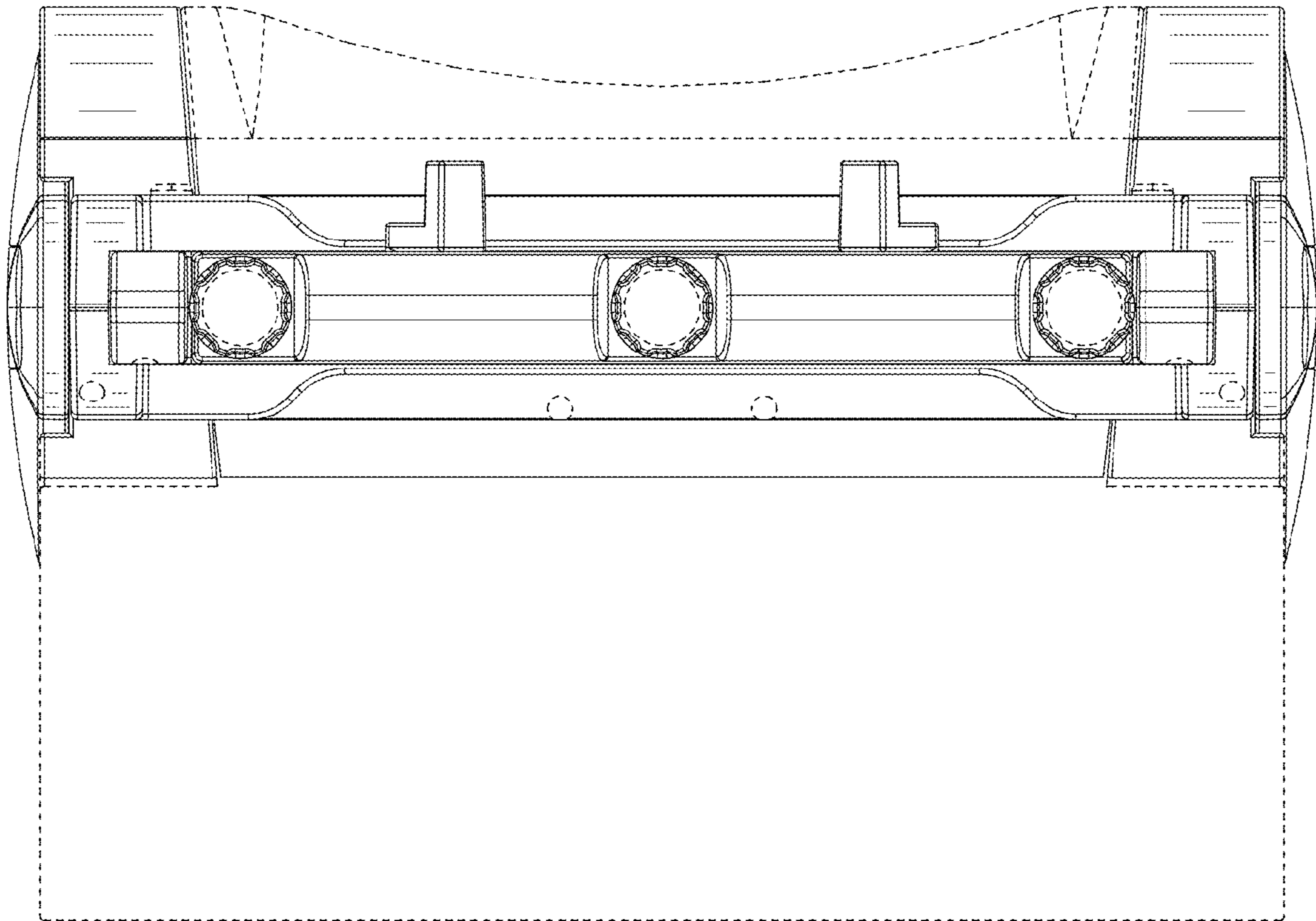


FIG. 10

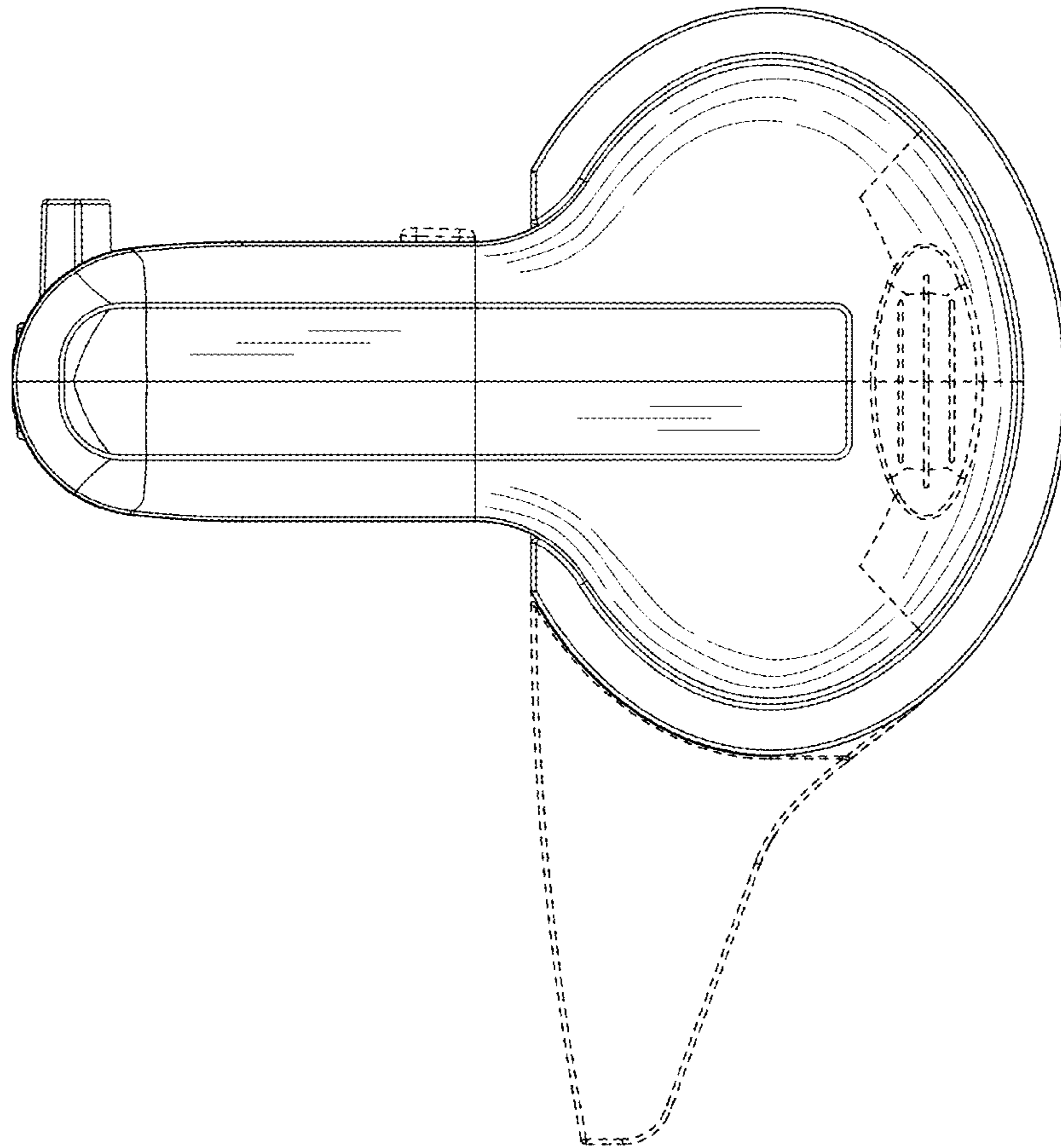


FIG. 11

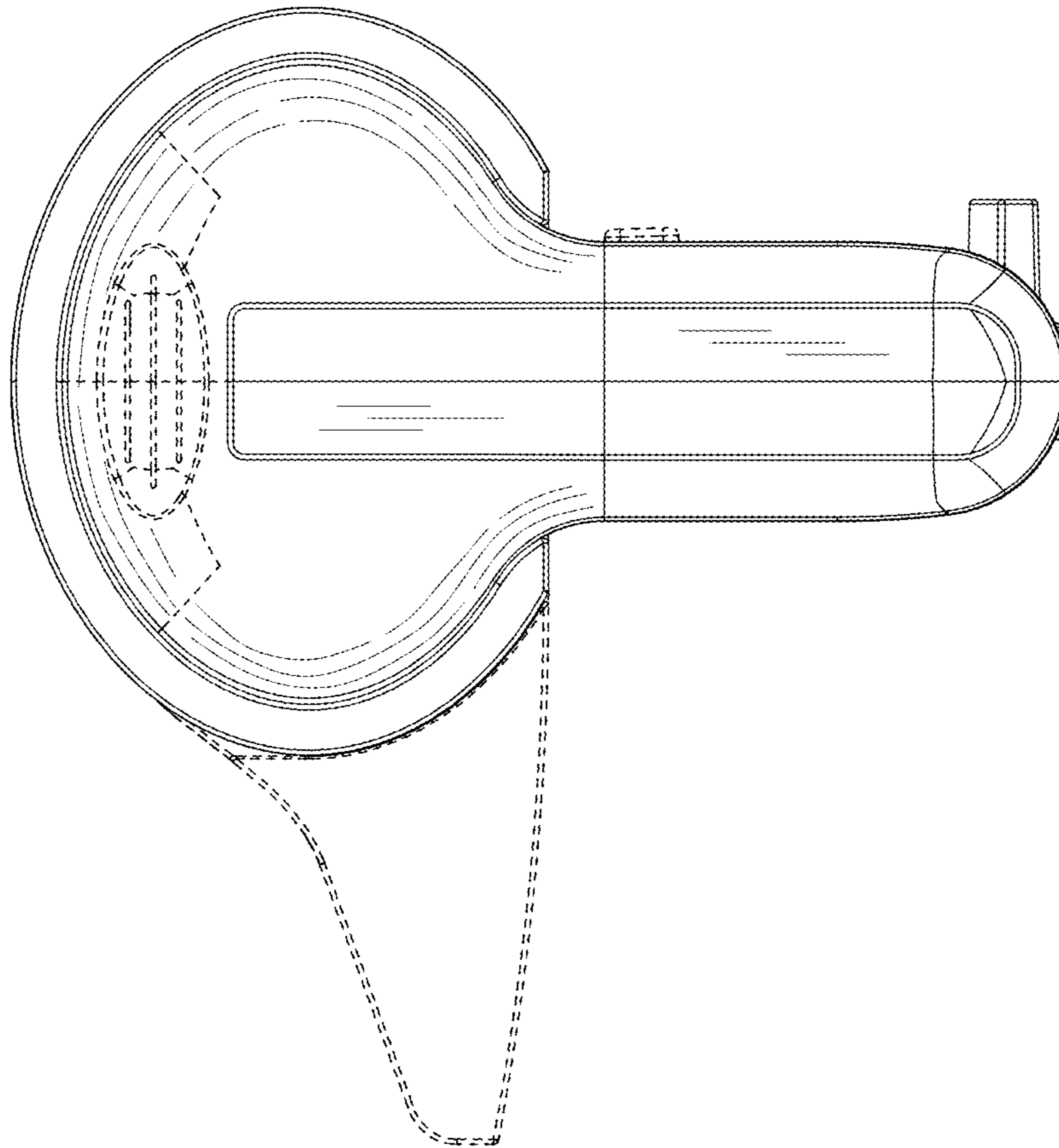


FIG. 12

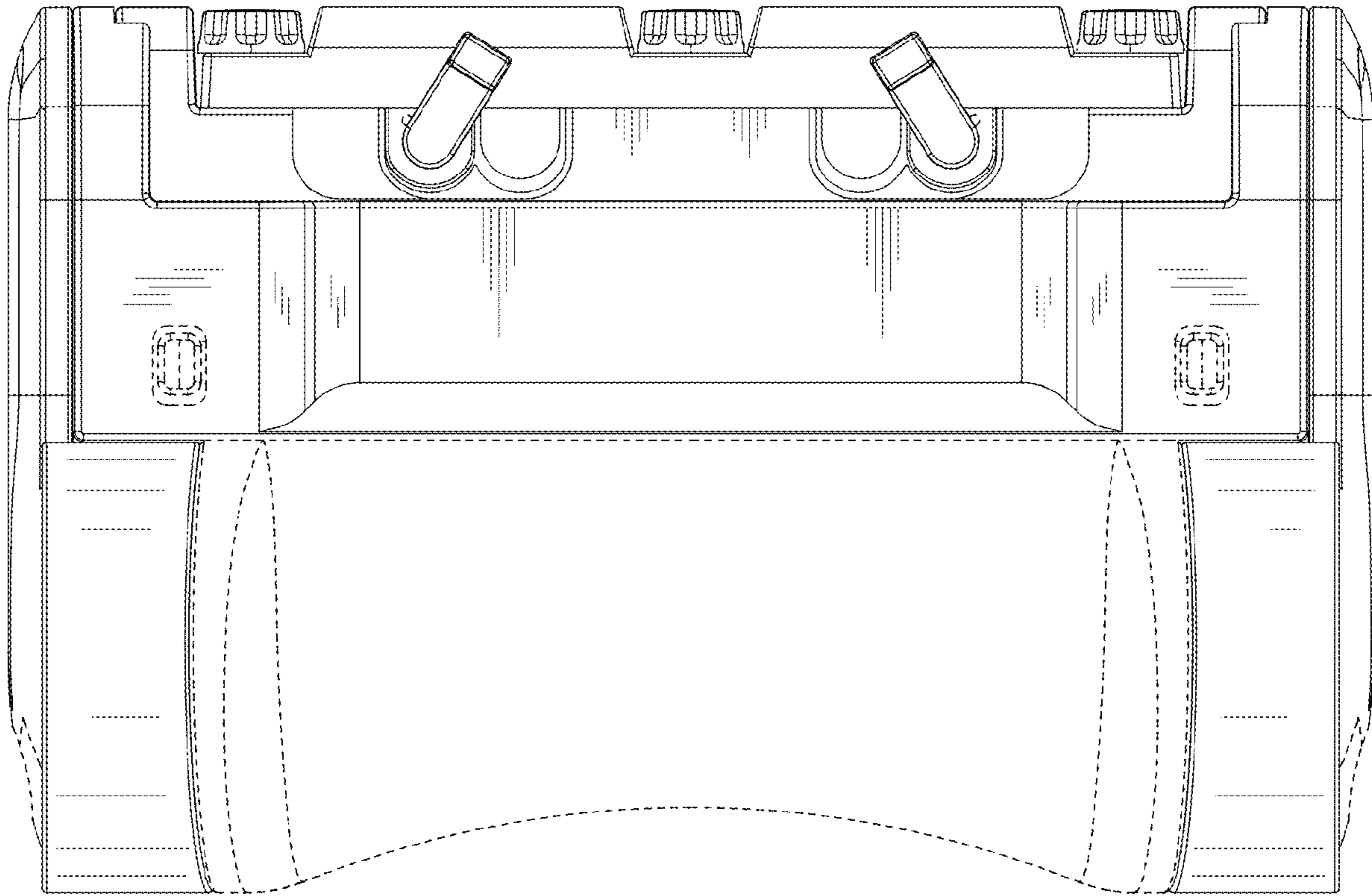


FIG. 13

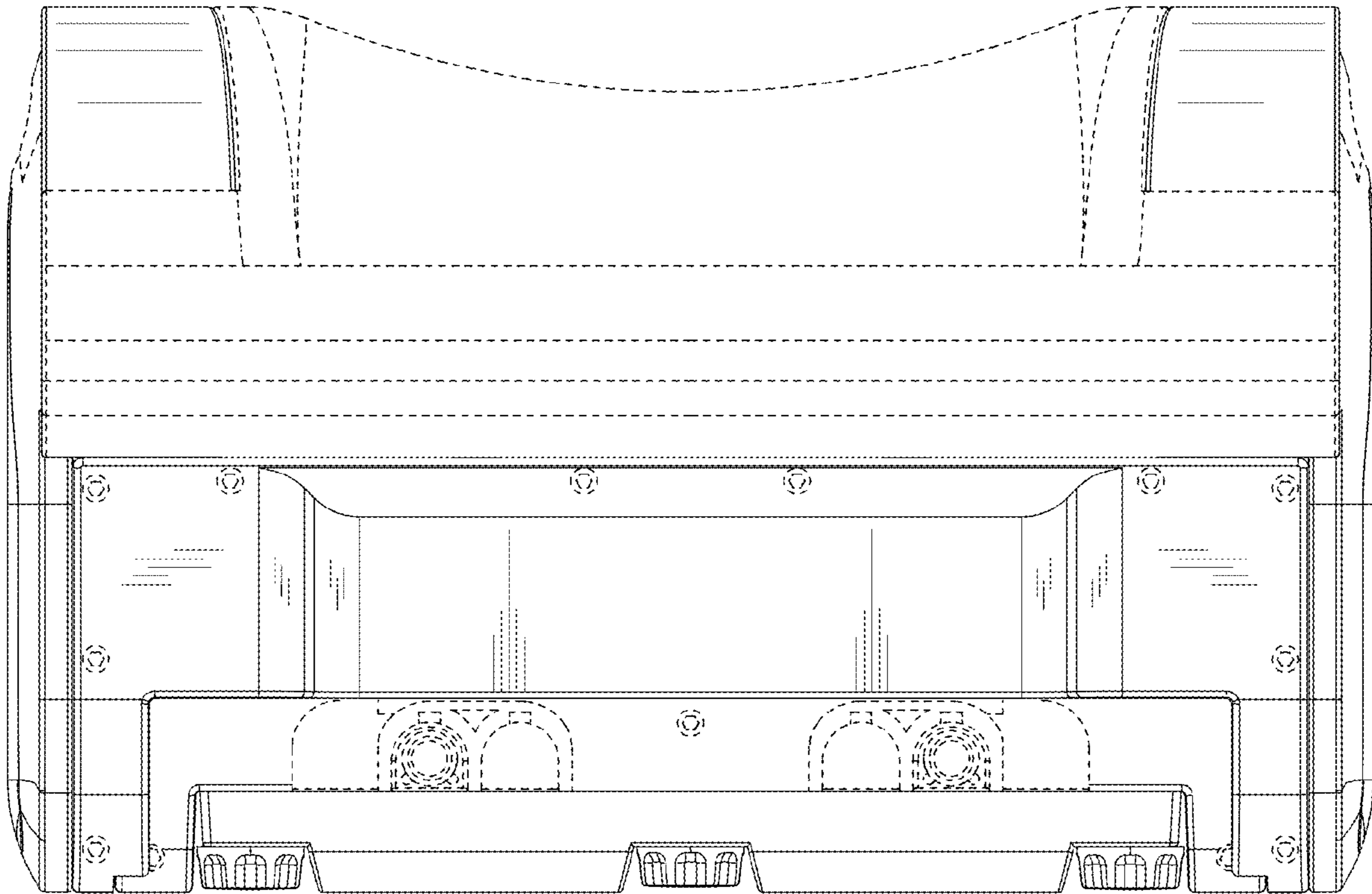


FIG. 14

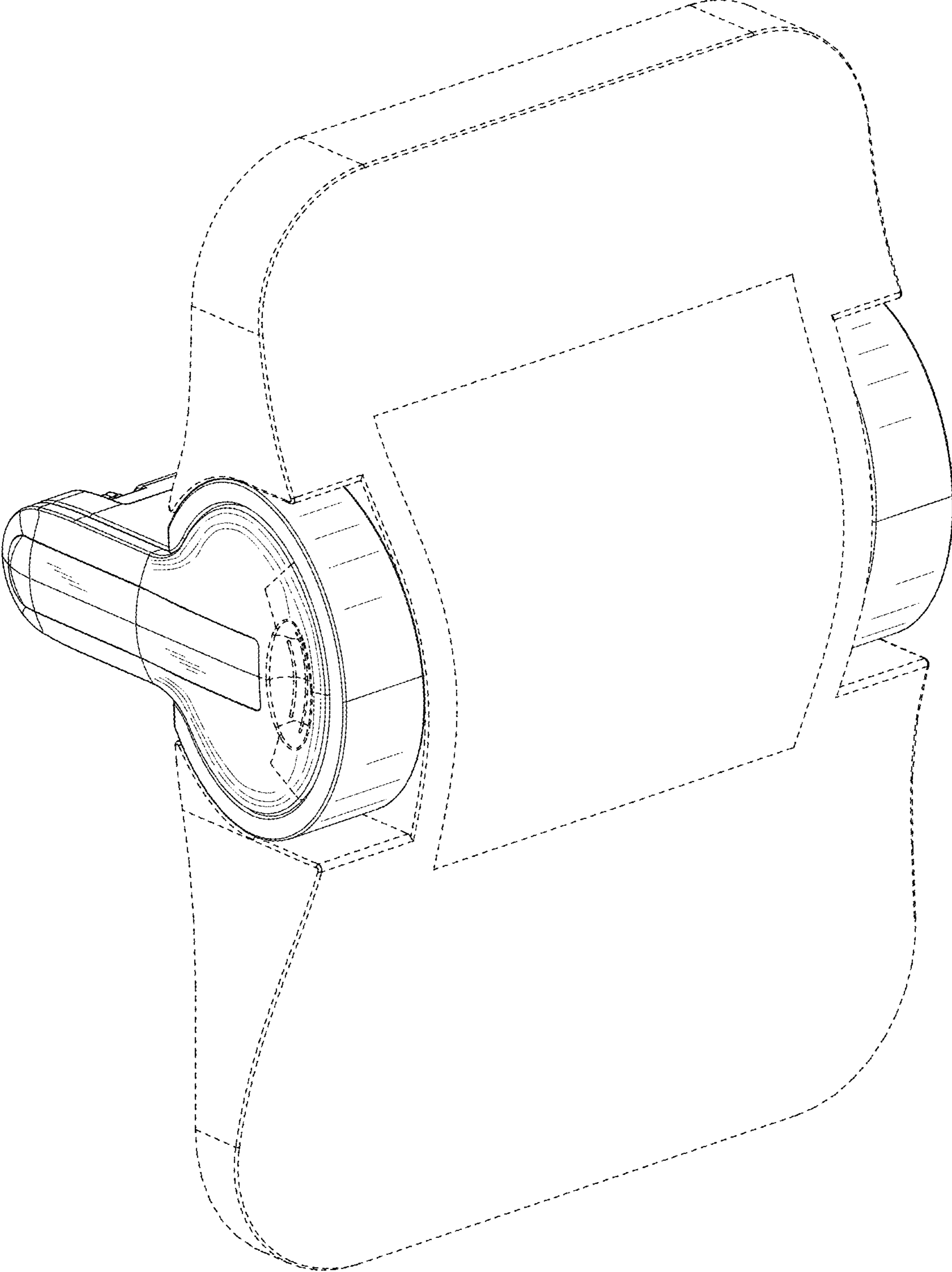


FIG. 15

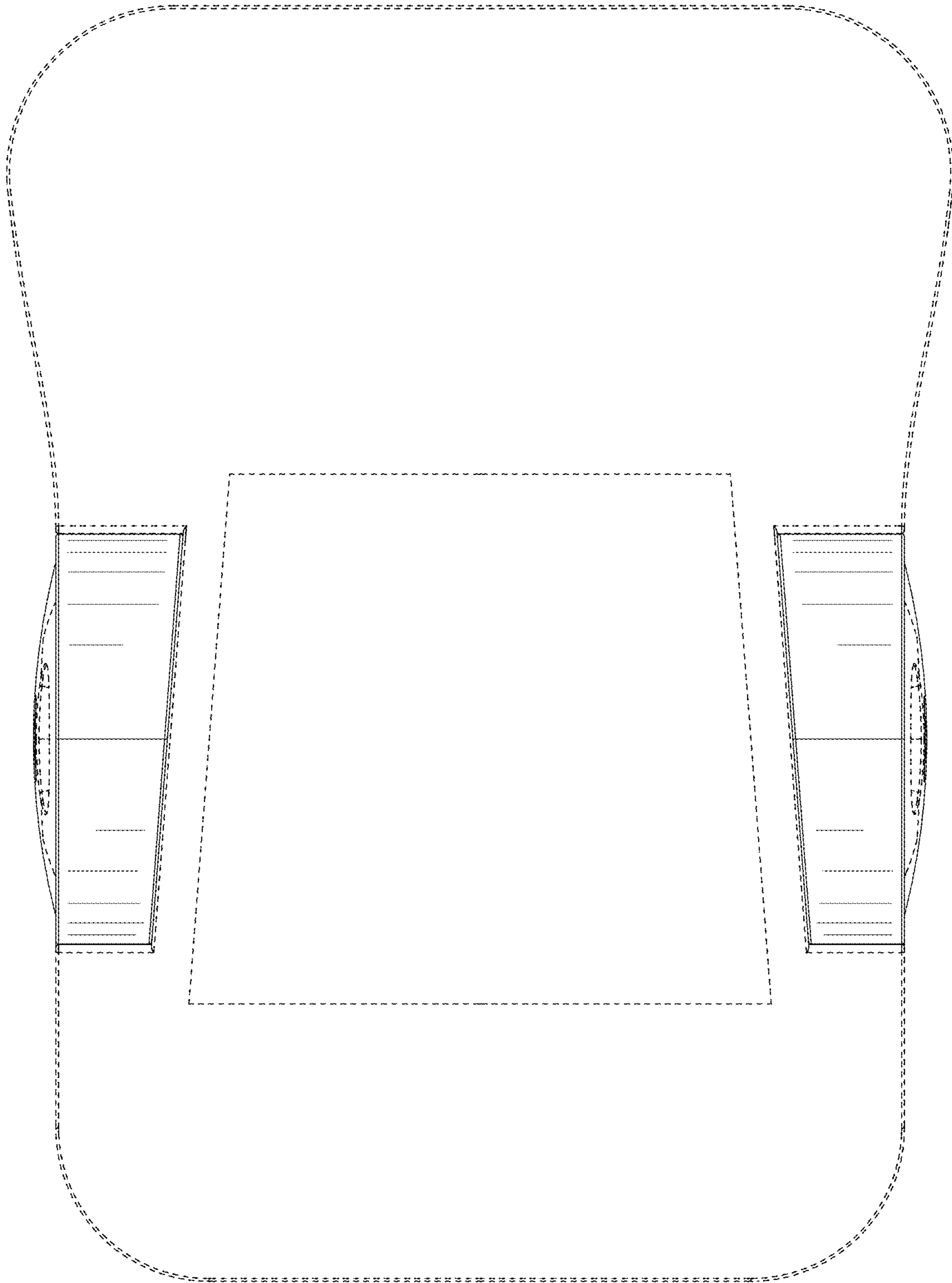


FIG. 16

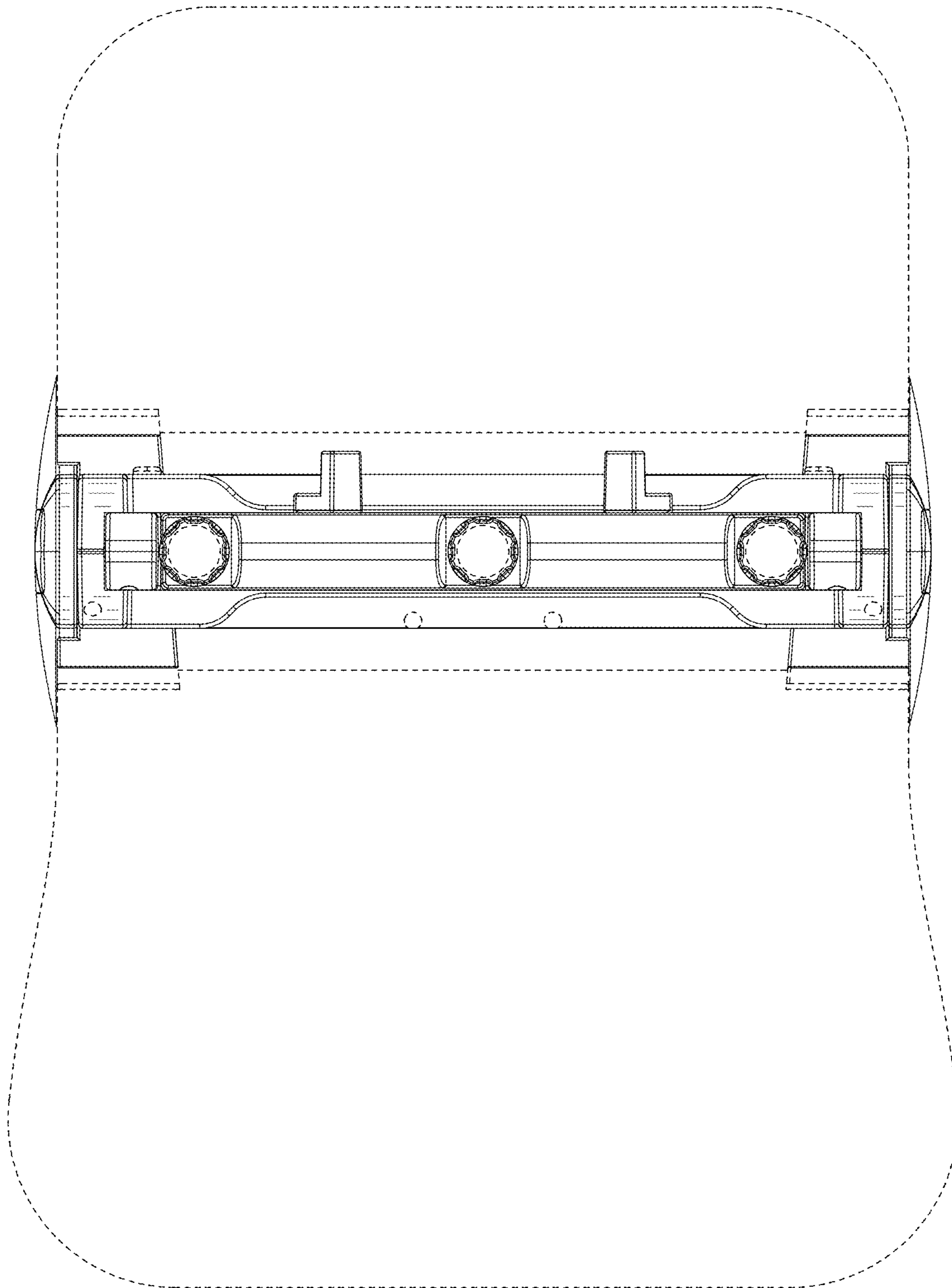


FIG. 17

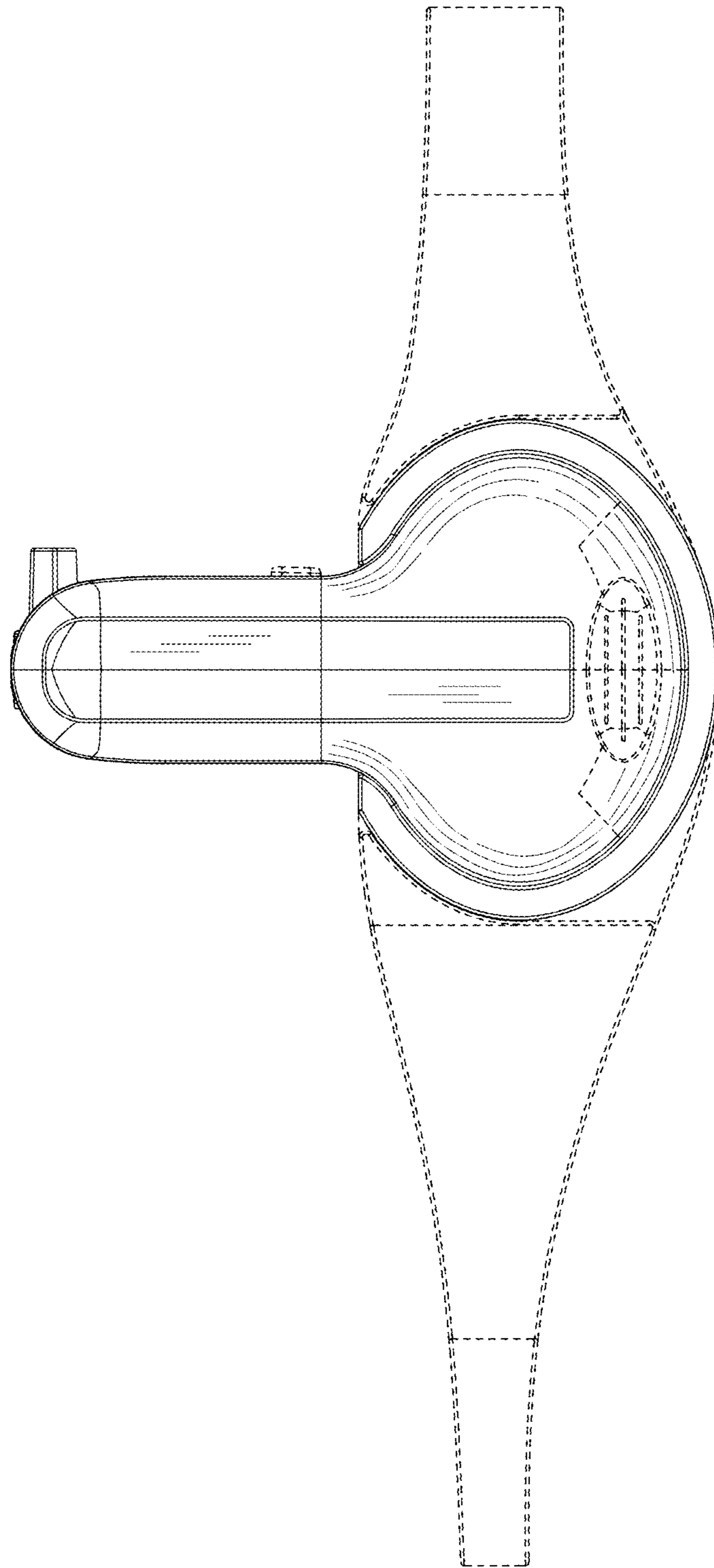


FIG. 18

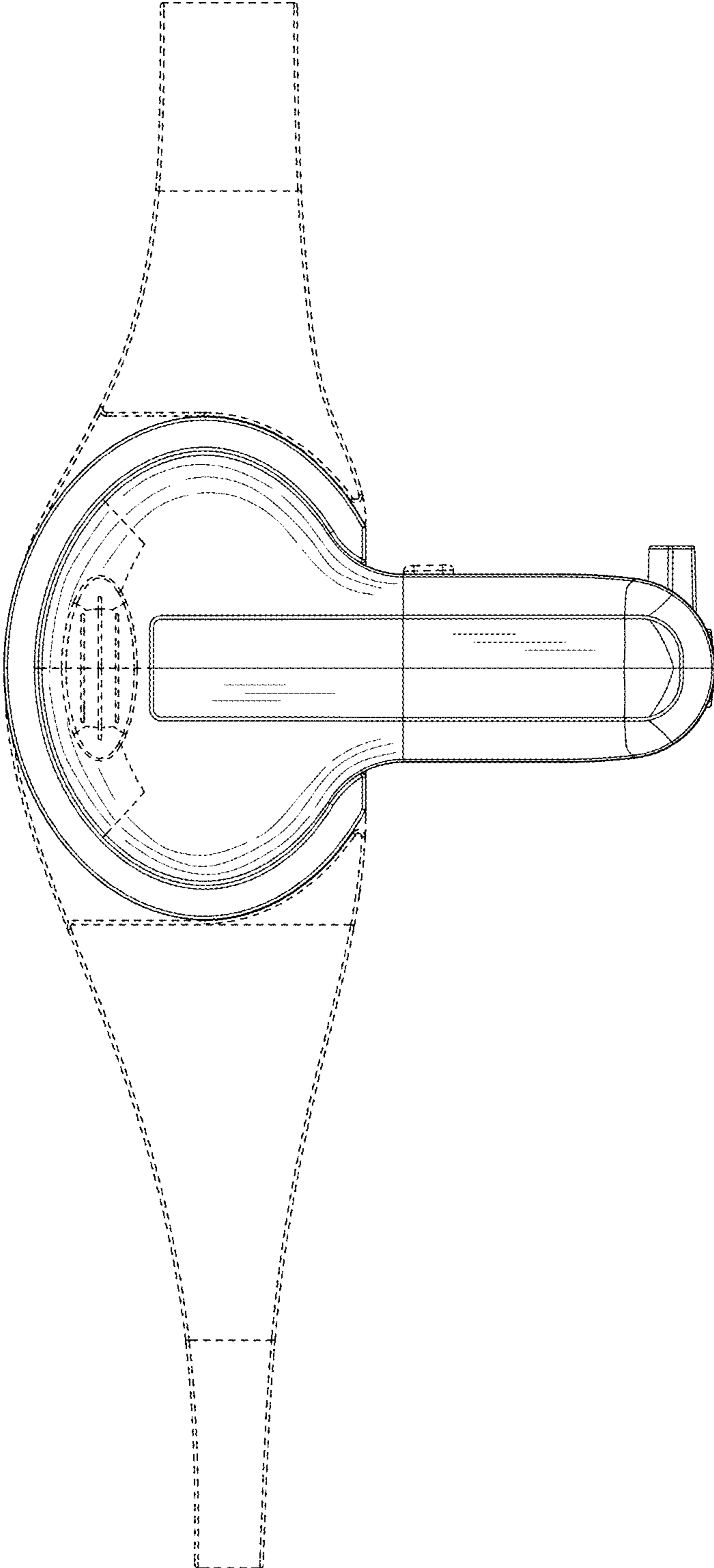


FIG. 19

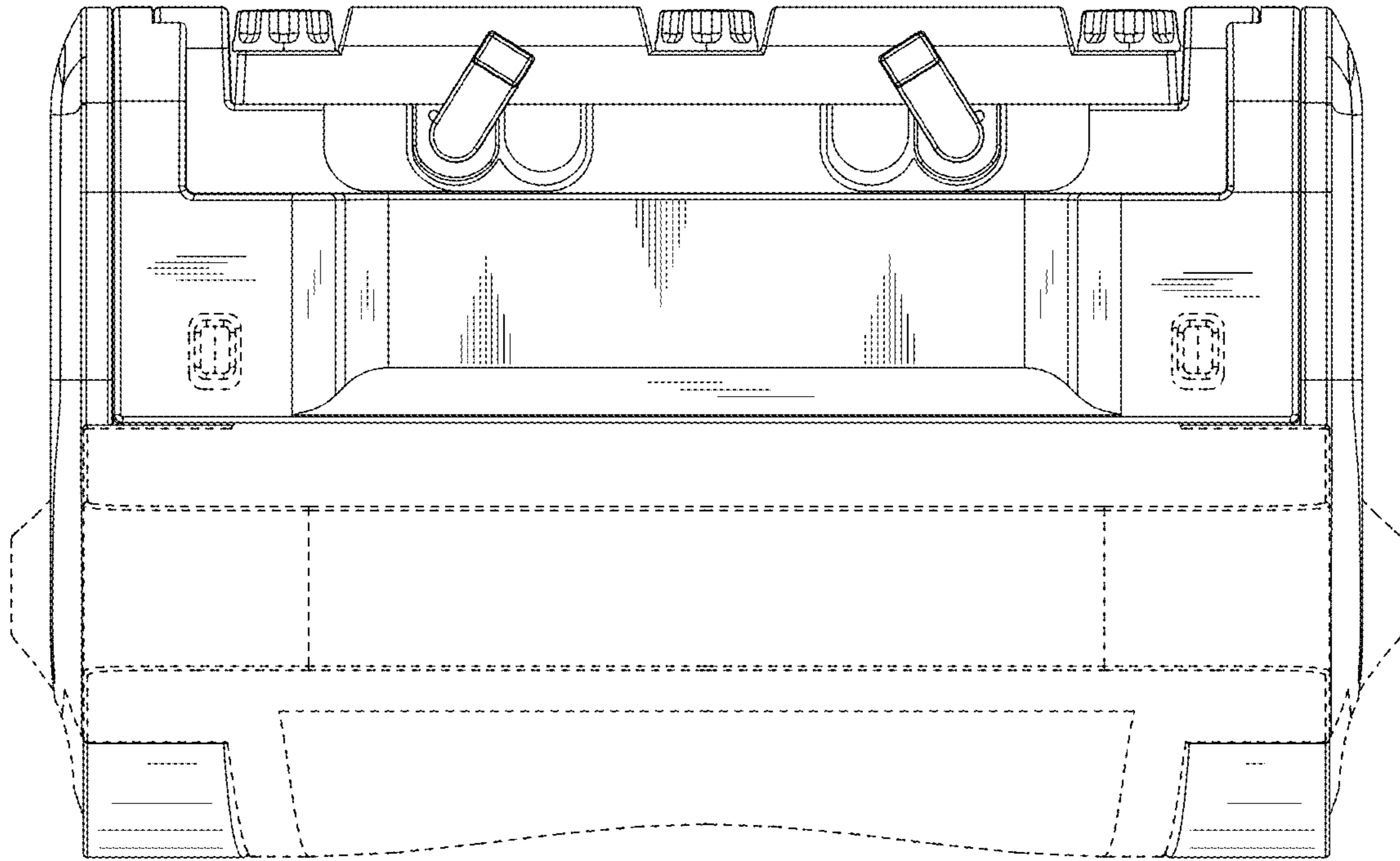


FIG. 20

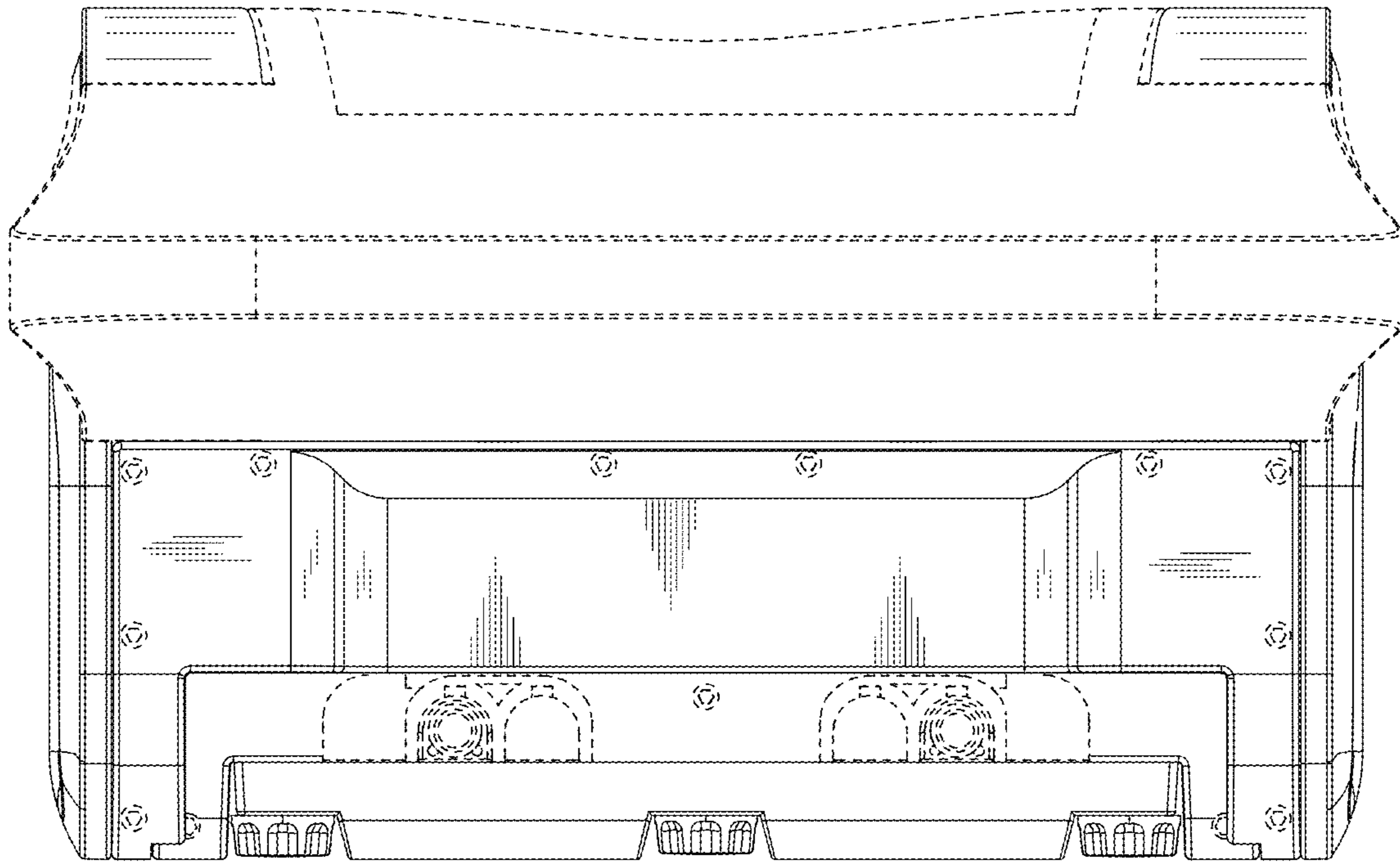


FIG. 21