



US00D923358S

(12) **United States Design Patent**
Leverett

(10) **Patent No.:** **US D923,358 S**
(45) **Date of Patent:** **** Jun. 29, 2021**

- (54) **PAD OF CUSHION**
- (71) Applicant: **MERITS HEALTH PRODUCTS CO., LTD.**, Taichung (TW)
- (72) Inventor: **David Leverett**, Ringgold, GA (US)
- (73) Assignee: **Merits Health Products Co., Ltd.**, Taichung (TW)
- (**) Term: **15 Years**
- (21) Appl. No.: **29/684,824**
- (22) Filed: **Mar. 25, 2019**
- (51) **LOC (13) Cl.** **06-09**
- (52) **U.S. Cl.**
USPC **D6/601**
- (58) **Field of Classification Search**
USPC D6/582-583, 587-592, 595-609,
D6/617-622; D21/803-809; D24/183
CPC A47G 9/00; A47G 2009/001; A47G
2009/002; A47G 2009/003; A47G 9/10;
A47G 9/1009; A47G 2009/1018; A47G
9/1045; A47G 9/1081; A47G 9/109
See application file for complete search history.

D750,926 S *	3/2016	Line	D6/716.1
D756,687 S *	5/2016	Durkin	D6/601
D775,862 S *	1/2017	Chen	D6/601
D782,849 S *	4/2017	Goddard	D6/601
D787,860 S *	5/2017	Goddard	D6/601
D843,134 S *	3/2019	Goddard	D6/601
D851,424 S *	6/2019	Santjer	D6/601
D878,108 S *	3/2020	Wang	D6/601
D885,793 S *	6/2020	Wang	D6/601
2007/0294831 A1 *	12/2007	Siekman	A61G 5/1043 5/653
2012/0068507 A1 *	3/2012	Debevec	A47C 7/021 297/250.1
2012/0119560 A1 *	5/2012	Wu	A47C 7/029 297/452.21
2016/0144756 A1 *	5/2016	Ito	B60N 2/646 297/452.49

* cited by examiner

Primary Examiner — Jennifer L Rempfer
(74) *Attorney, Agent, or Firm* — Muncy, Geissler, Olds & Lowe, P.C.

(57) **CLAIM**

The ornamental design for a pad of a cushion, as shown and described.

DESCRIPTION

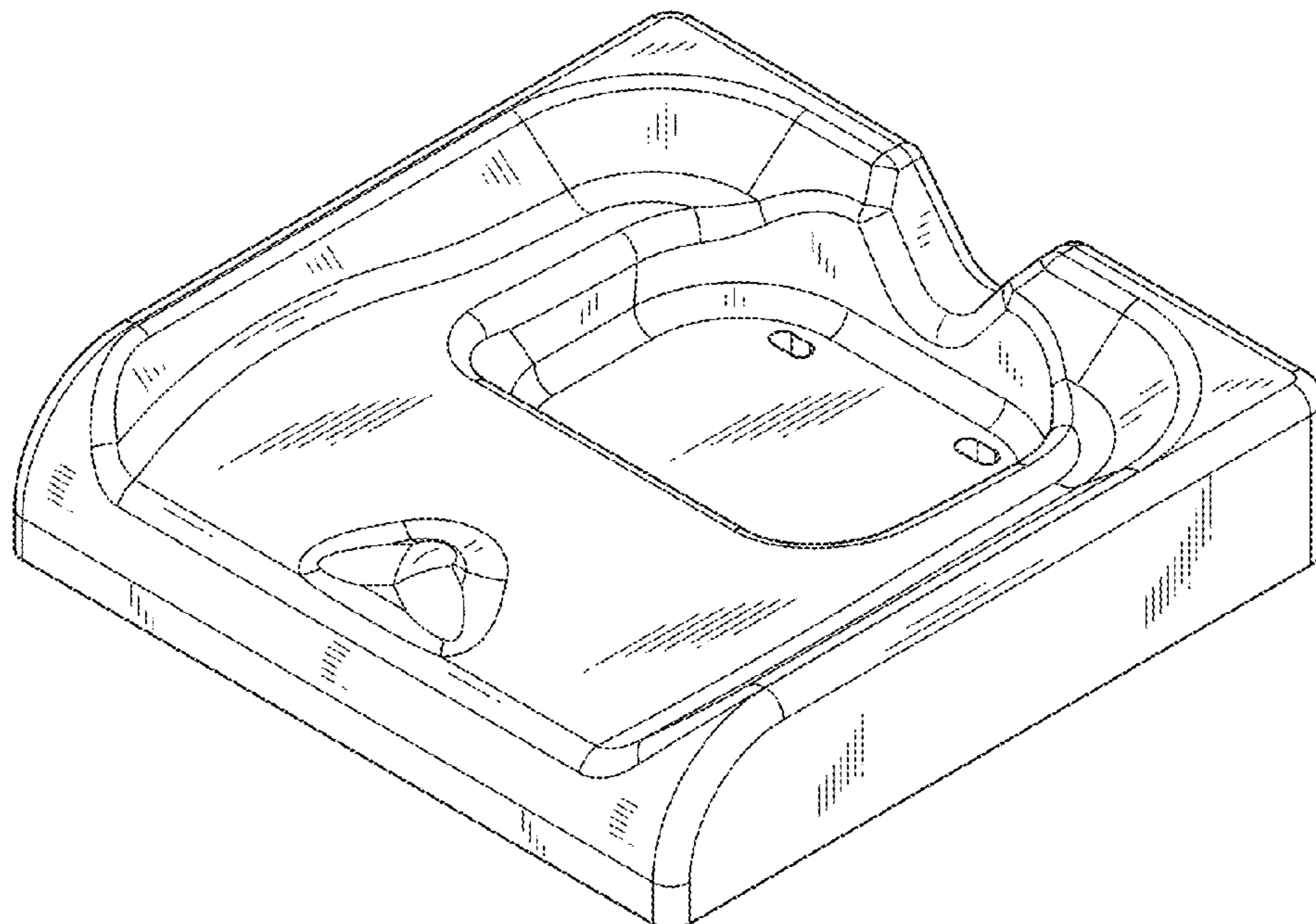
FIG. 1 is a perspective view of a pad of a cushion showing the new design;
FIG. 2 is a front elevational view thereof;
FIG. 3 is a rear elevational view thereof;
FIG. 4 is a left side elevational view thereof;
FIG. 5 is a right side elevational view thereof;
FIG. 6 is a top plan view thereof;
FIG. 7 is a bottom plan view thereof; and,
FIG. 8 is a sectional view taken alone line A-A of FIG. 2.

1 Claim, 5 Drawing Sheets

(56) **References Cited**

U.S. PATENT DOCUMENTS

4,132,228 A *	1/1979	Green	A47C 7/021 601/57
D308,613 S *	6/1990	Clark	D6/601
5,395,162 A *	3/1995	Jay	A61G 5/1043 297/452.25
7,216,388 B2 *	5/2007	Bieganek	A61G 5/1043 5/653
D700,786 S *	3/2014	Yeung	D6/333
D713,656 S *	9/2014	Ezelle	D6/601



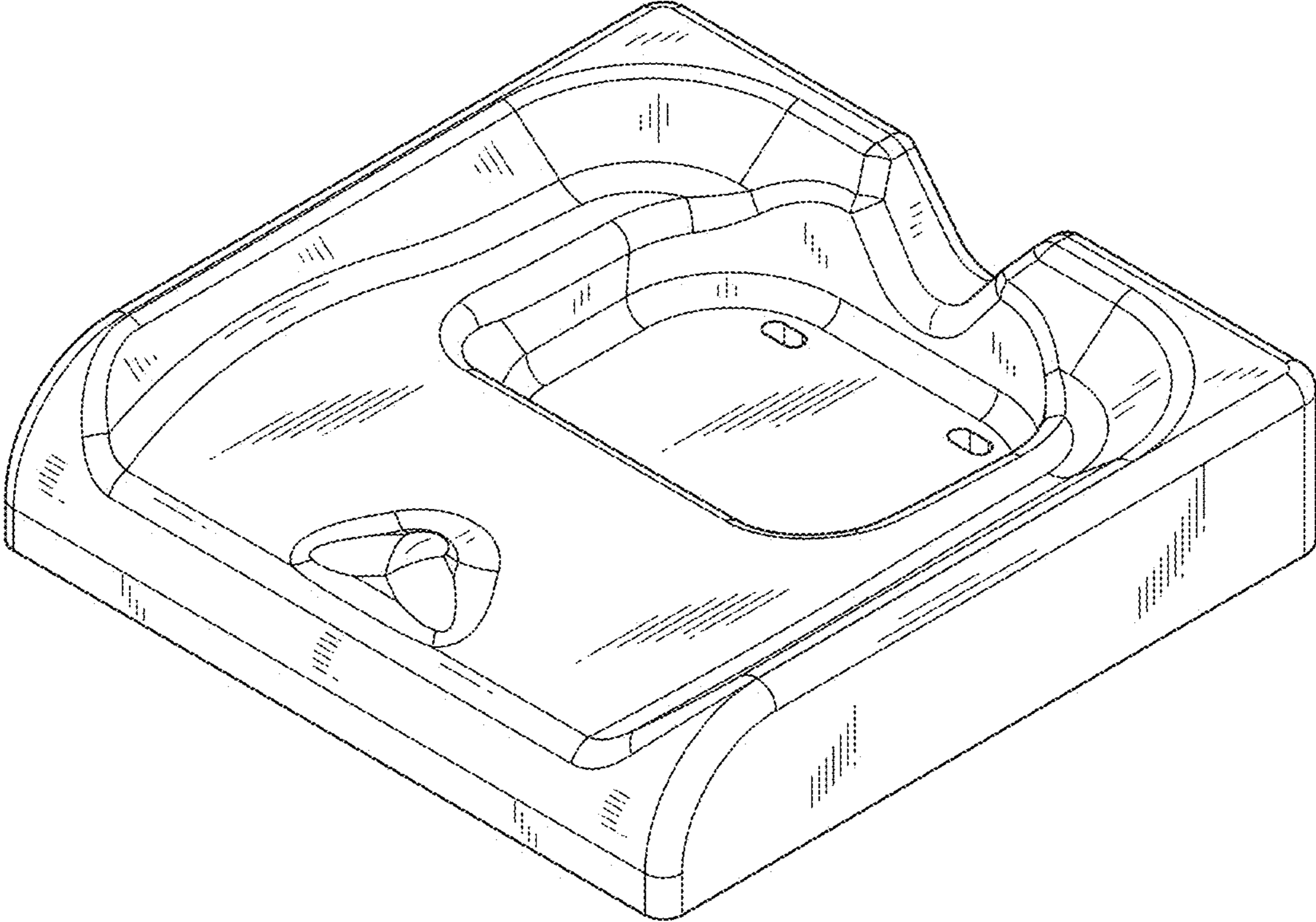


FIG. 1

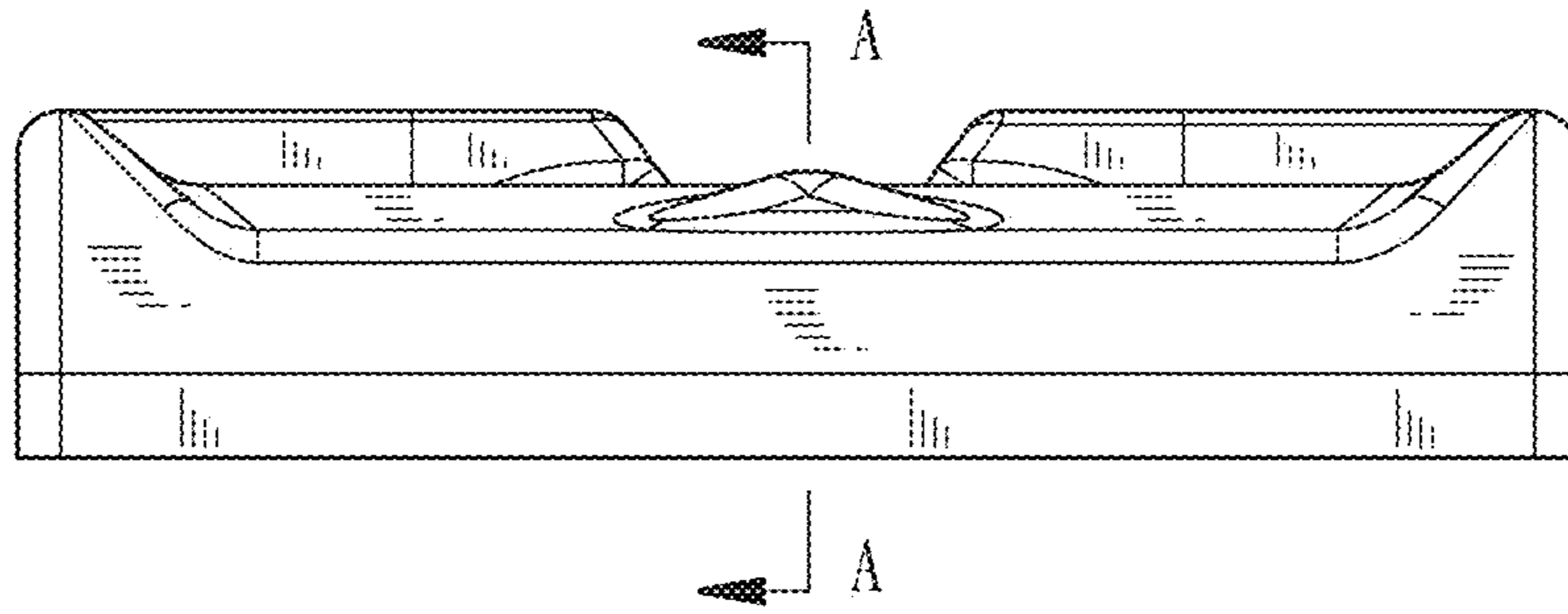


FIG. 2

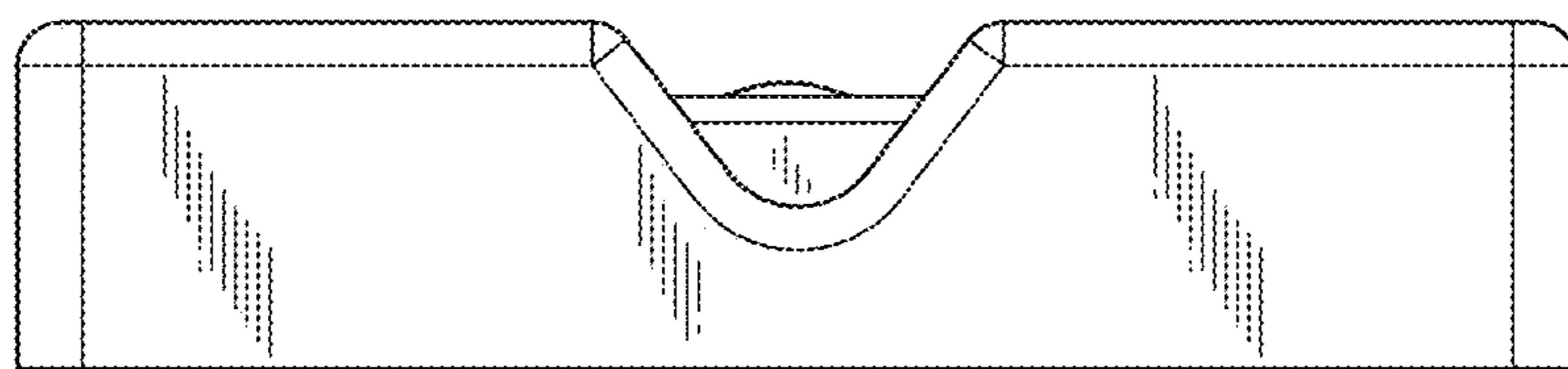


FIG. 3

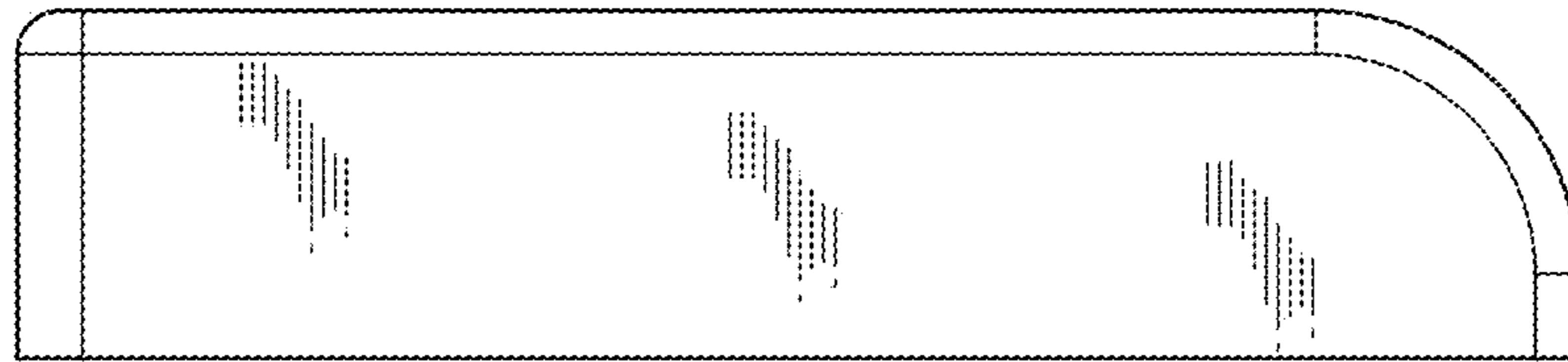


FIG. 4

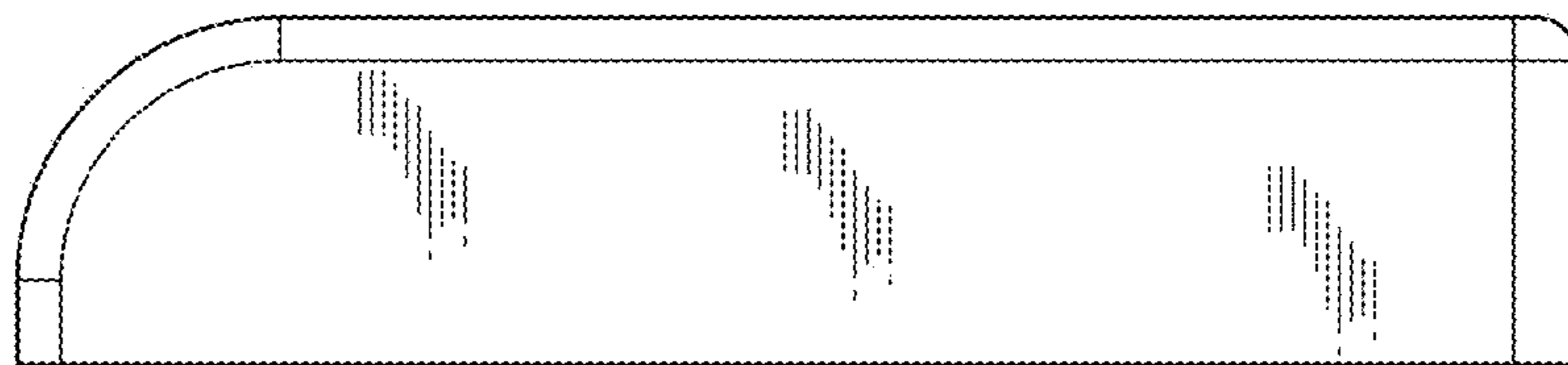


FIG. 5

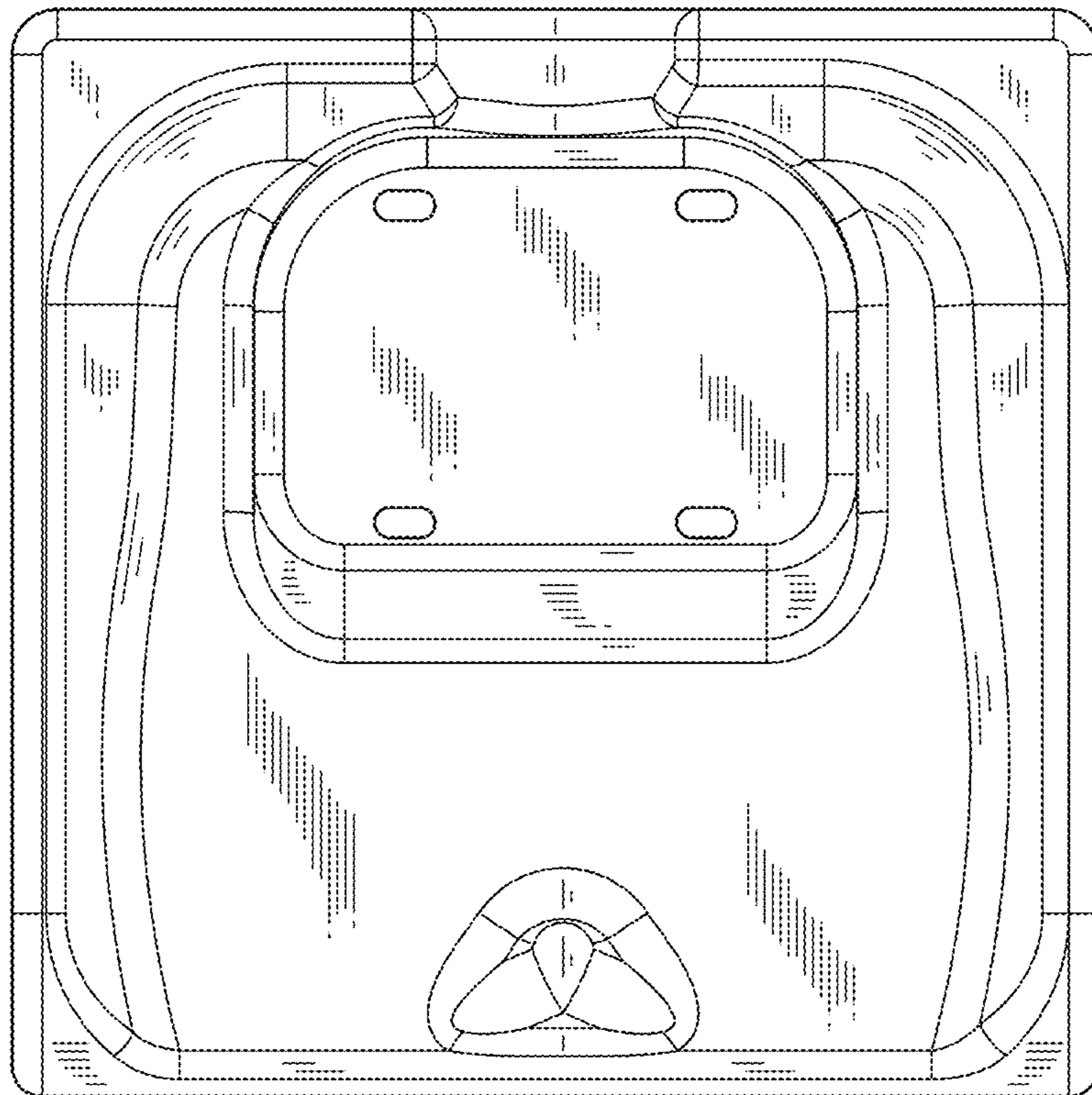


FIG. 6

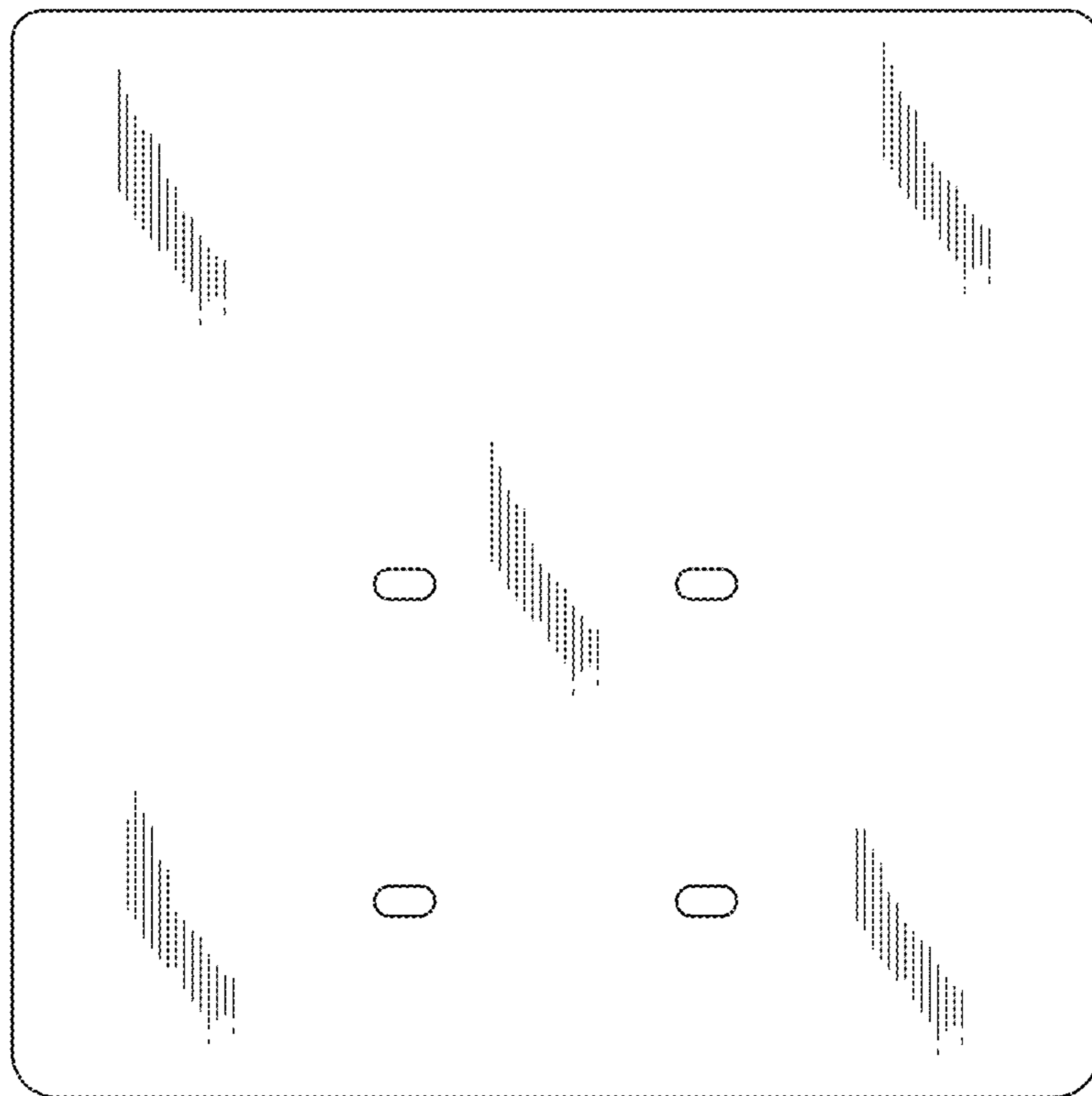


FIG. 7

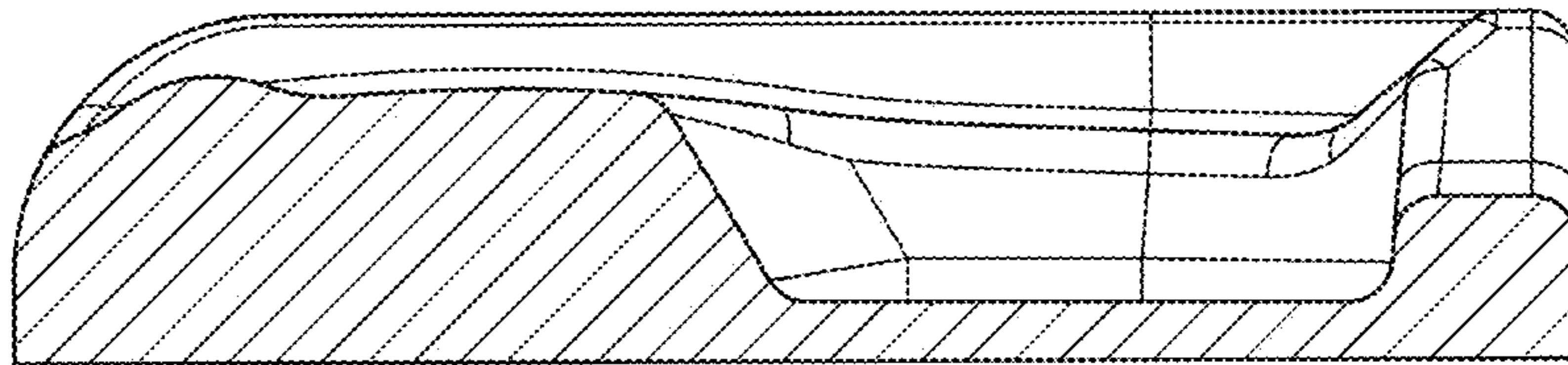


FIG. 8