



US00D923357S

(12) **United States Design Patent**
Currey

(10) **Patent No.:** **US D923,357 S**

(45) **Date of Patent:** **** Jun. 29, 2021**

(54) **PEGBOARD BIN**

(71) Applicant: **Larry Currey**, Fort Worth, TX (US)

(72) Inventor: **Larry Currey**, Fort Worth, TX (US)

(**) Term: **15 Years**

(21) Appl. No.: **29/667,699**

(22) Filed: **Oct. 24, 2018**

(51) **LOC (13) Cl.** **06-04**

(52) **U.S. Cl.**
USPC **D6/553**

(58) **Field of Classification Search**
USPC D6/553, 672, 683; D3/304, 305, 306,
D3/307-309, 315-316; D7/601-602;
211/10, 11, 13.1, 44-50, 119.005, 87.01,
211/88.01, 126.13, 126.16; 229/405, 928
CPC . B65D 1/34; B65D 1/36; B65D 21/00; B65D
1/00; B65D 1/22
See application file for complete search history.

(56) **References Cited**

U.S. PATENT DOCUMENTS

D587,947 S *	3/2009	Valiulis	D6/553
D589,728 S *	4/2009	Shaha	D3/304
D797,451 S *	9/2017	Levy	D3/304
D845,027 S *	4/2019	Corona	D6/553
D845,028 S *	4/2019	Corona	D6/553
D862,176 S *	10/2019	Yu	D7/602

OTHER PUBLICATIONS

Slatbox, Hobibox Long Jun. 21, 2014, slatbox.com, URL:http://www.slatbox.com/hobibox, 1 page, retrieved on Oct. 28, 2019 (Year: 2014).*
Power King, Model PK013 Bin; publication pre-Oct. 2018; publication date, pages, volume-issue numbers, publisher, city and/or country where published unknown. (Admitted Prior Art).

(Continued)

Primary Examiner — Wan Laymon

Assistant Examiner — Mark Booker

(74) *Attorney, Agent, or Firm* — Brian K. Yost; Decker Jones, PC

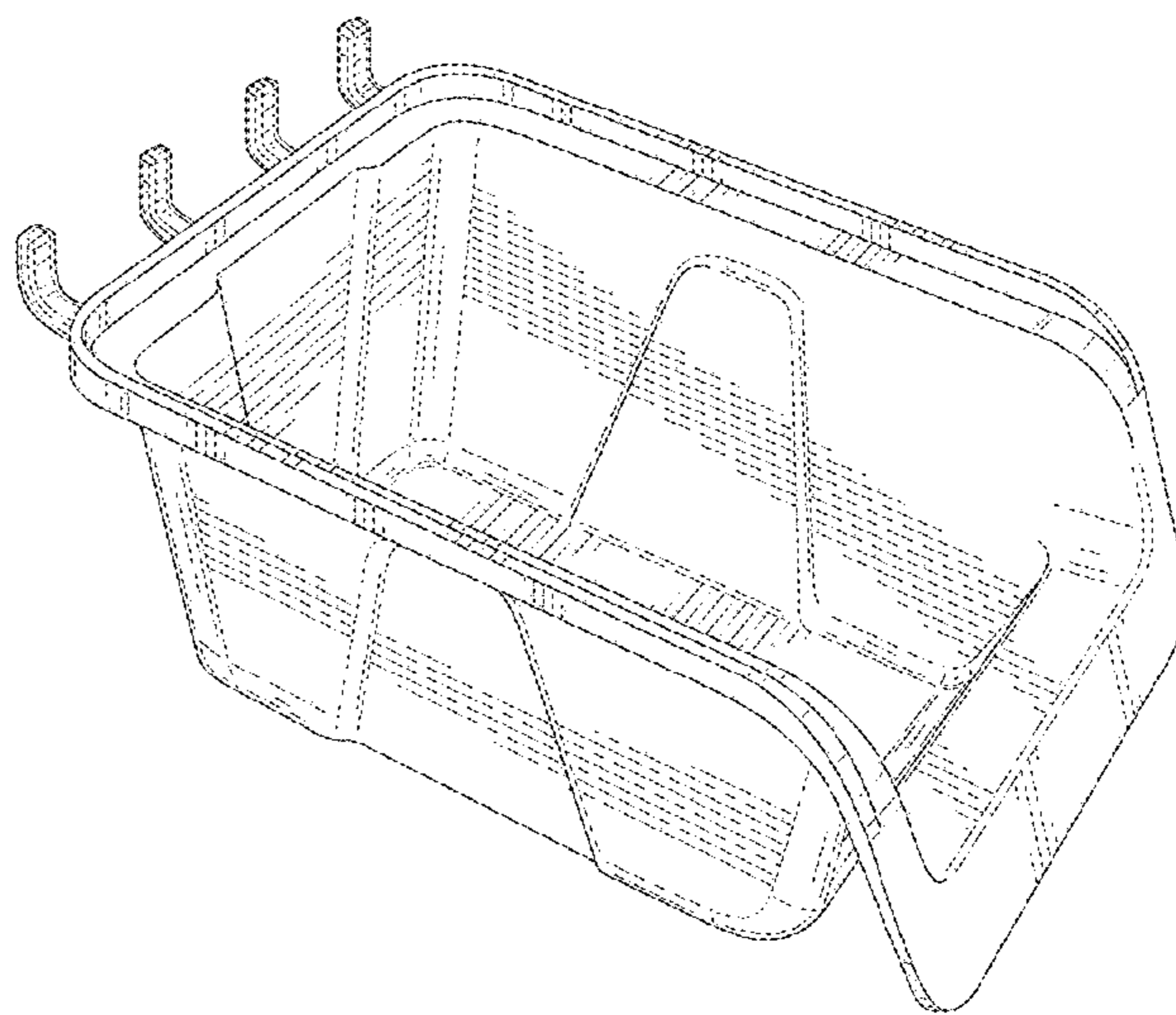
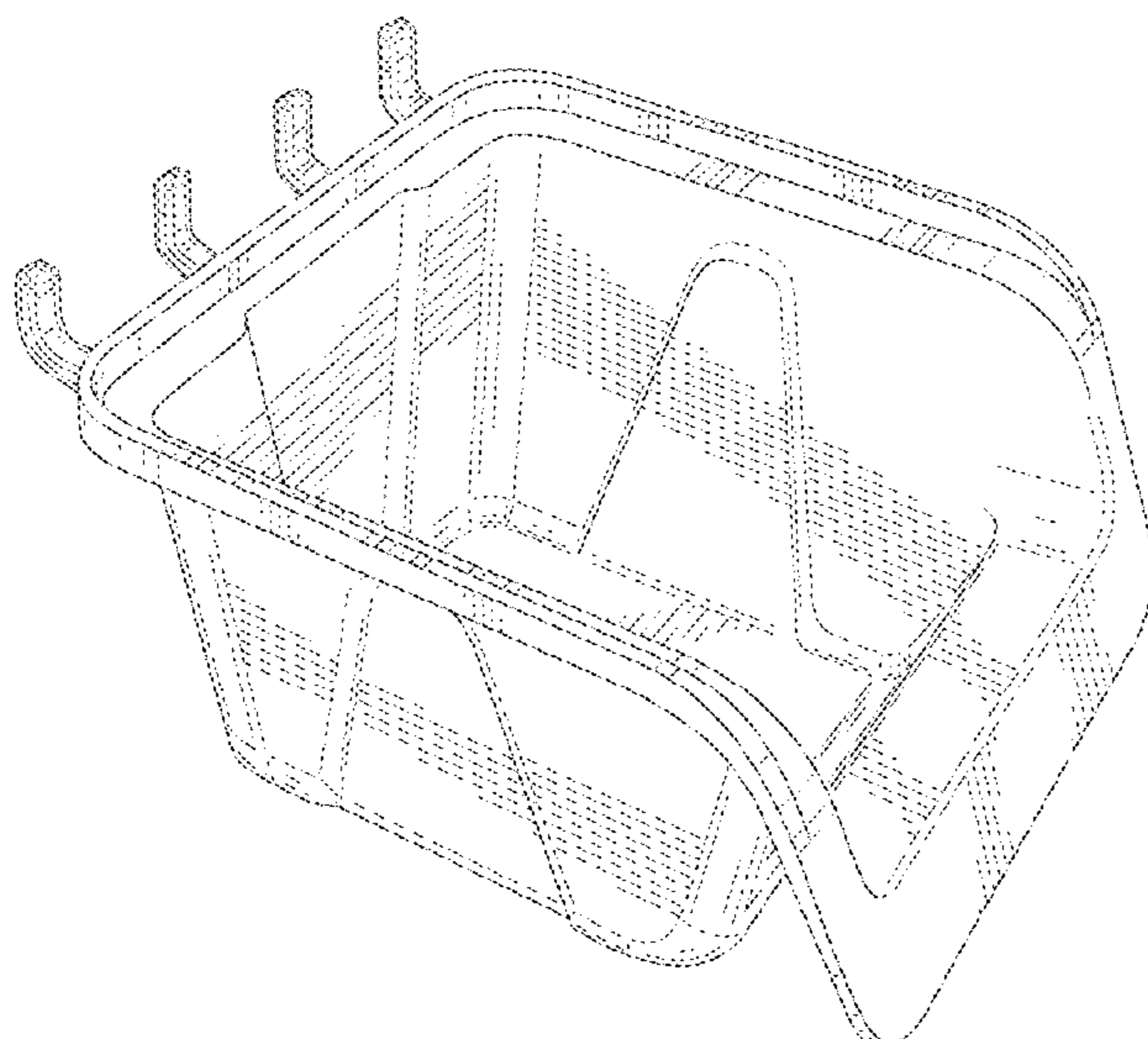
(57) **CLAIM**

The ornamental design for a pegboard bin, as shown and described.

DESCRIPTION

FIG. 1 is a perspective left, front, and upper view of a pegboard bin according to my new design;
FIG. 2 is a front elevation view of the pegboard bin of FIG. 1;
FIG. 3 is a rear elevation view of the pegboard bin shown in FIG. 1;
FIG. 4 is a right elevation view of the pegboard bin shown in FIG. 1;
FIG. 5 is a left elevation view of the pegboard bin shown in FIG. 1;
FIG. 6 is an upper elevation view of the pegboard bin shown in FIG. 1;
FIG. 7 is a lower elevation view of the pegboard bin shown in FIG. 1;
FIG. 8 is a perspective left, front, and upper view of a pegboard bin in accordance with another embodiment;
FIG. 9 is a front elevation view of the pegboard bin of FIG. 8;
FIG. 10 is a rear elevation view of the pegboard bin shown in FIG. 8;
FIG. 11 is a right elevation view of the pegboard bin shown in FIG. 8;
FIG. 12 is a left elevation view of the pegboard bin shown in FIG. 8;
FIG. 13 is an upper elevation view of the pegboard bin shown in FIG. 8; and,
FIG. 14 is a lower elevation view of the pegboard bin shown in FIG. 8.

1 Claim, 14 Drawing Sheets



(56)

References Cited

OTHER PUBLICATIONS

Anonomous, Square Conventional Storage Bin; pre-Oct. 2018 publication; publication date, pages, volume-issue numbers, publisher, city and /or country where published unknown. (Admitted Prior Art).

Anonomous, Elongated Conventional Storage Bin with lateral tabs; pre-Oct. 2018 publication; publication date, pages, volume-issue numbers, publisher, city and /or country where published unknown. (Admitted Prior Art).

Anonomous, Square Conventional Storage Bin with lateral slits pre-Oct. 2018 publication; publication date, pages, volume-issue numbers, publisher, city and /or country where published unknown. (Admitted Prior Art).

Anonomous, Square Conventional Storage Bin with lateral vertical extensions and peg member; pre-Oct. 2018 Publication; publication date, pages, volume-issue numbers, publisher, city and /or country where published unknown. Admitted Prior Art).

Anonomous, Square Conventional Storage Bin with smooth sides and peg member; pre-Oct. 2018 publication; publication date, pages, volume-issue numbers, publisher, city and /or country where published unknown. (Admitted Prior Art).

Anonomous, Square Conventional Storage Bin with clip-on peg members; pre-Oct. 2018 publication; publication late, pages, volume-issue numbers, publisher, city and /or country where published unknown. (Admitted Prior Art).

Stanley, Model 57208 Storage Bin; pre-Oct. 2018 publication; publication date, pages, volume-issue numbers, publisher, city and /or country where published unknown. (Admitted Prior Art).

* cited by examiner

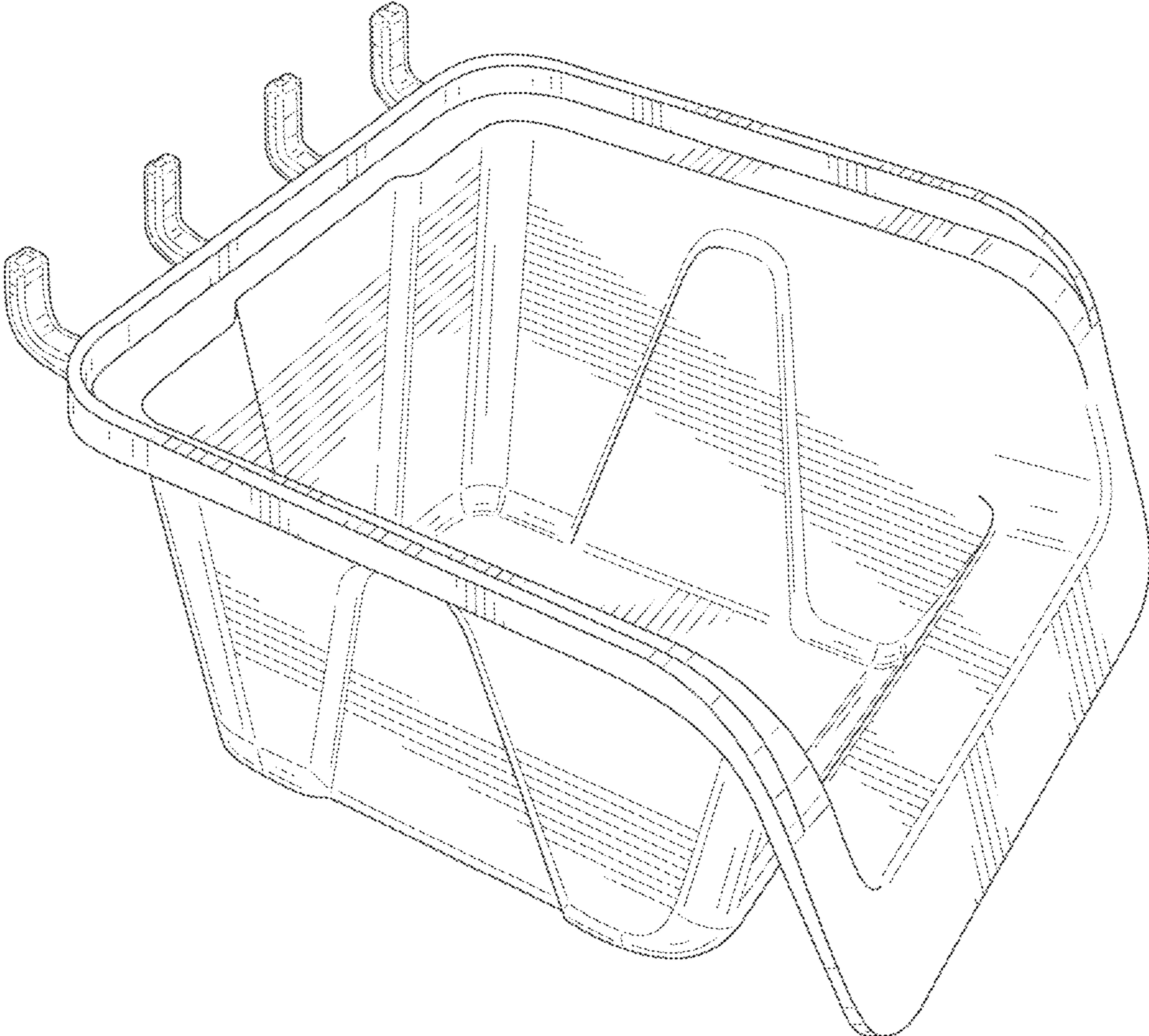


FIG. 1

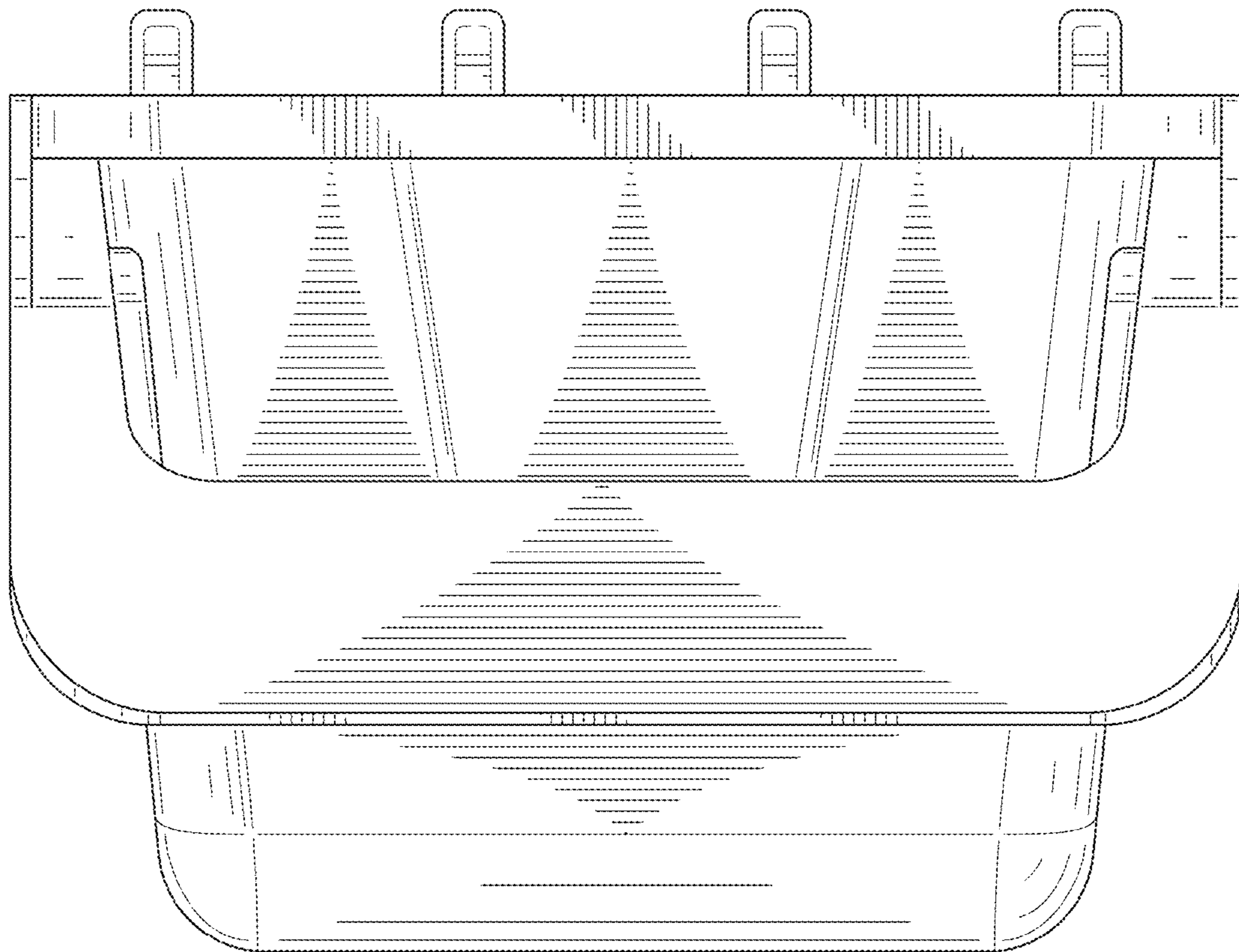


FIG. 2

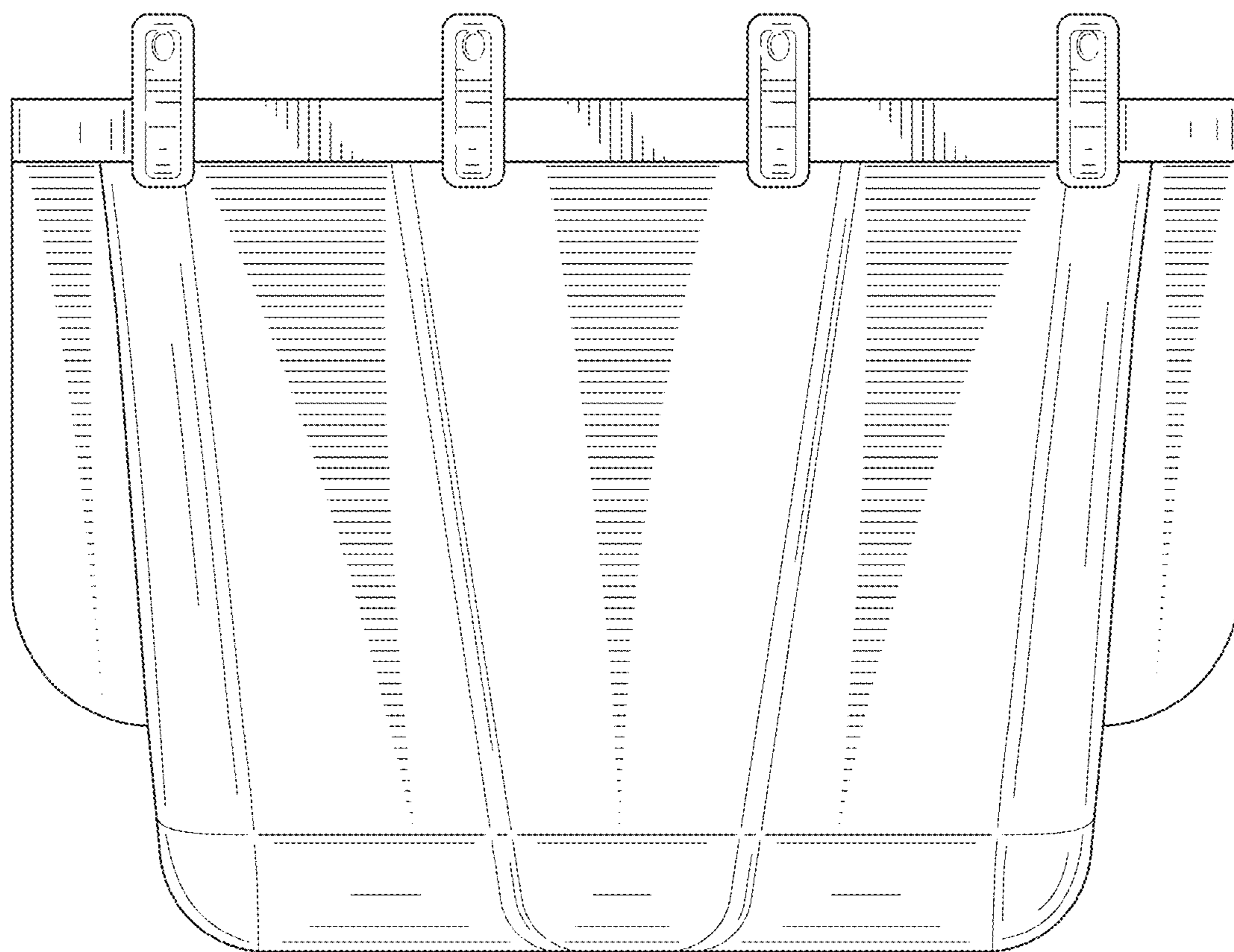


FIG. 3

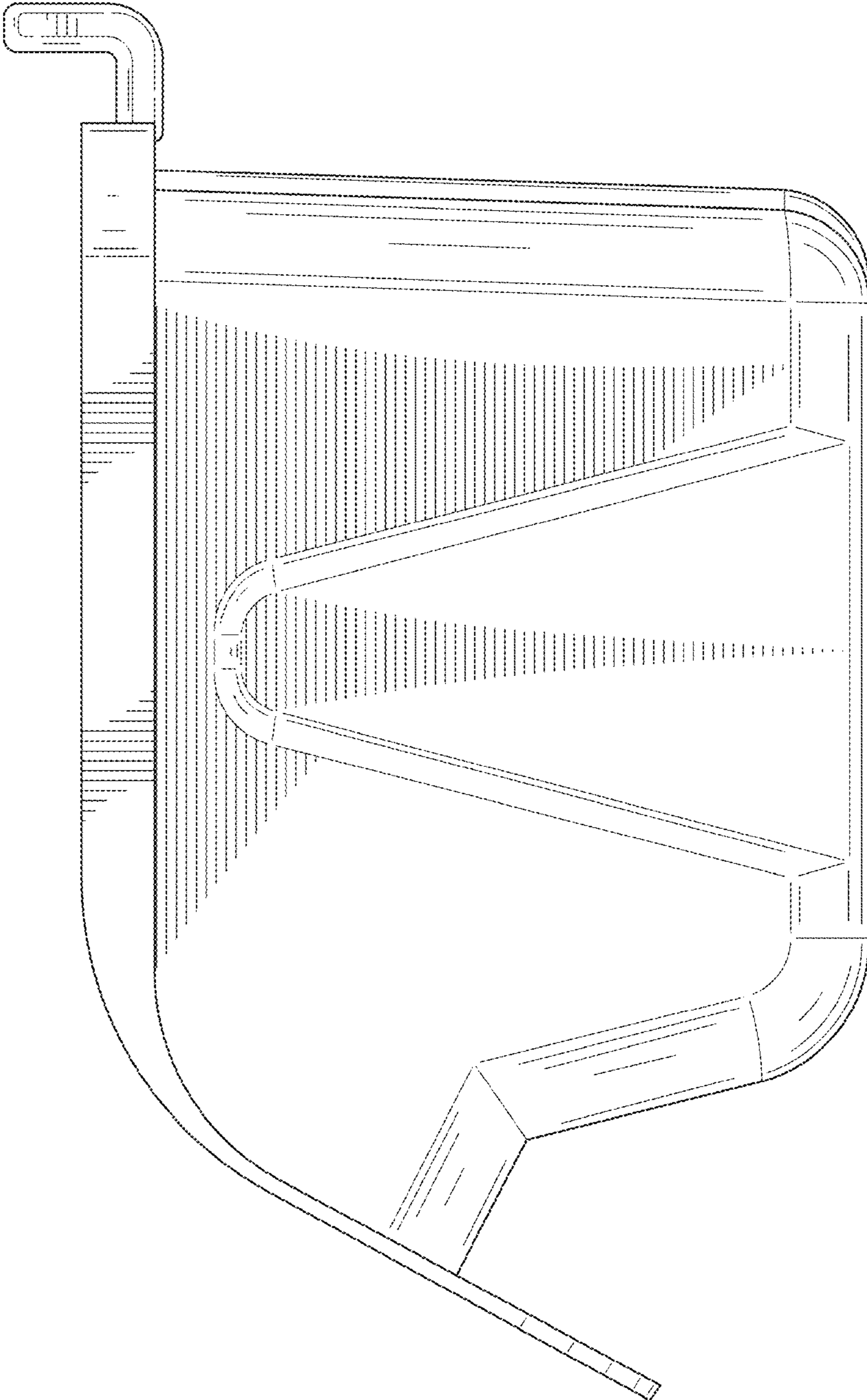


FIG. 4

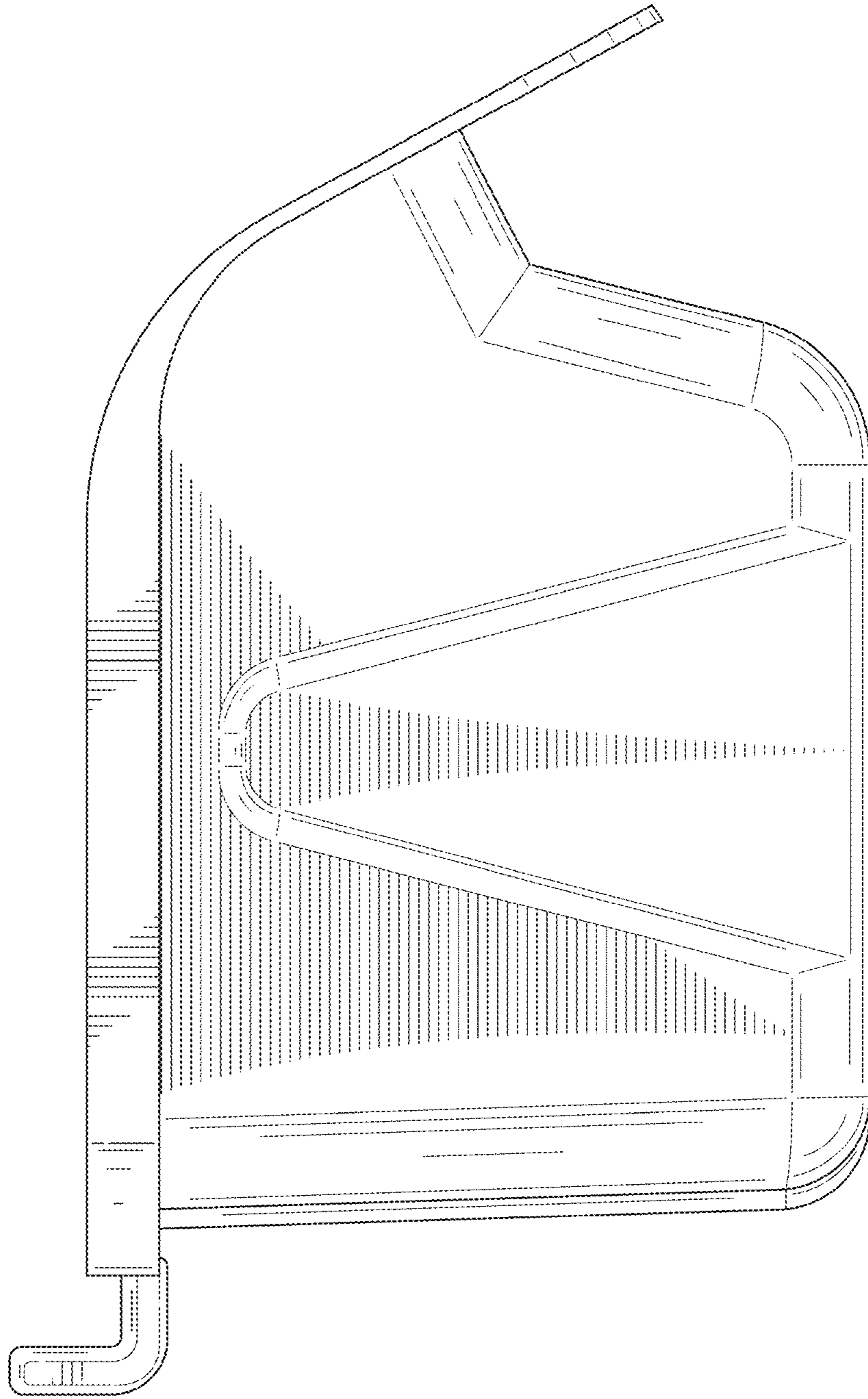


FIG. 5

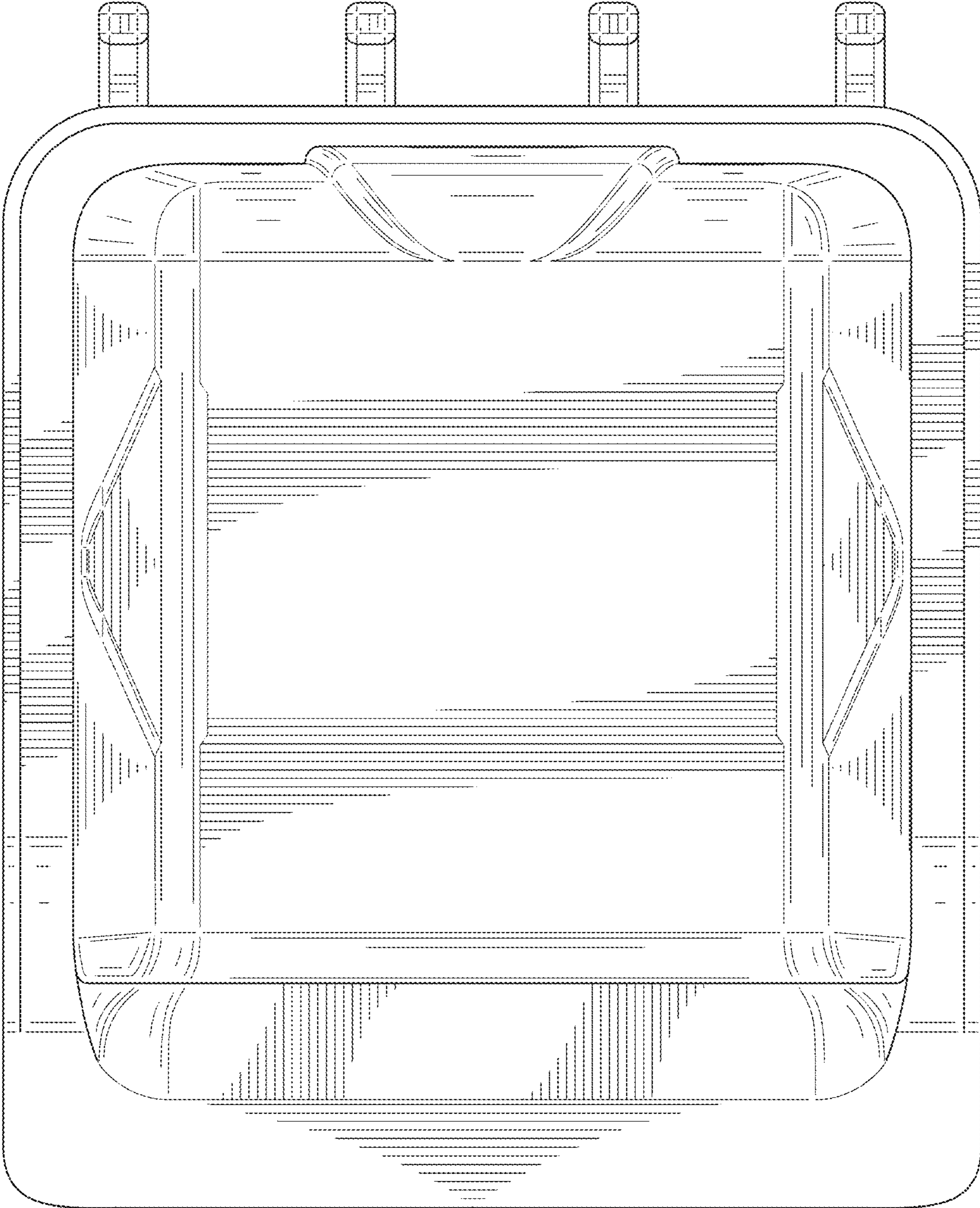


FIG. 6

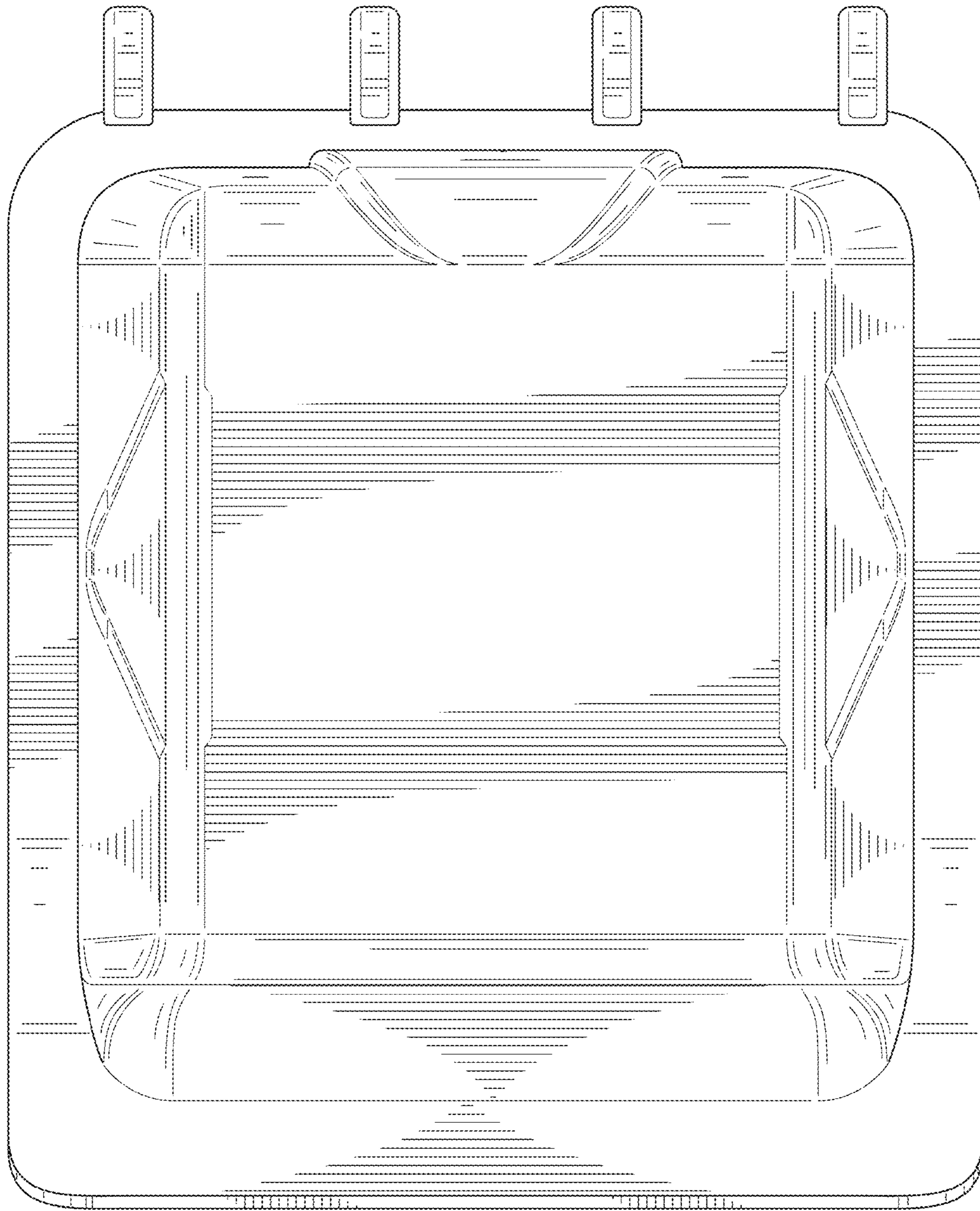


FIG. 7

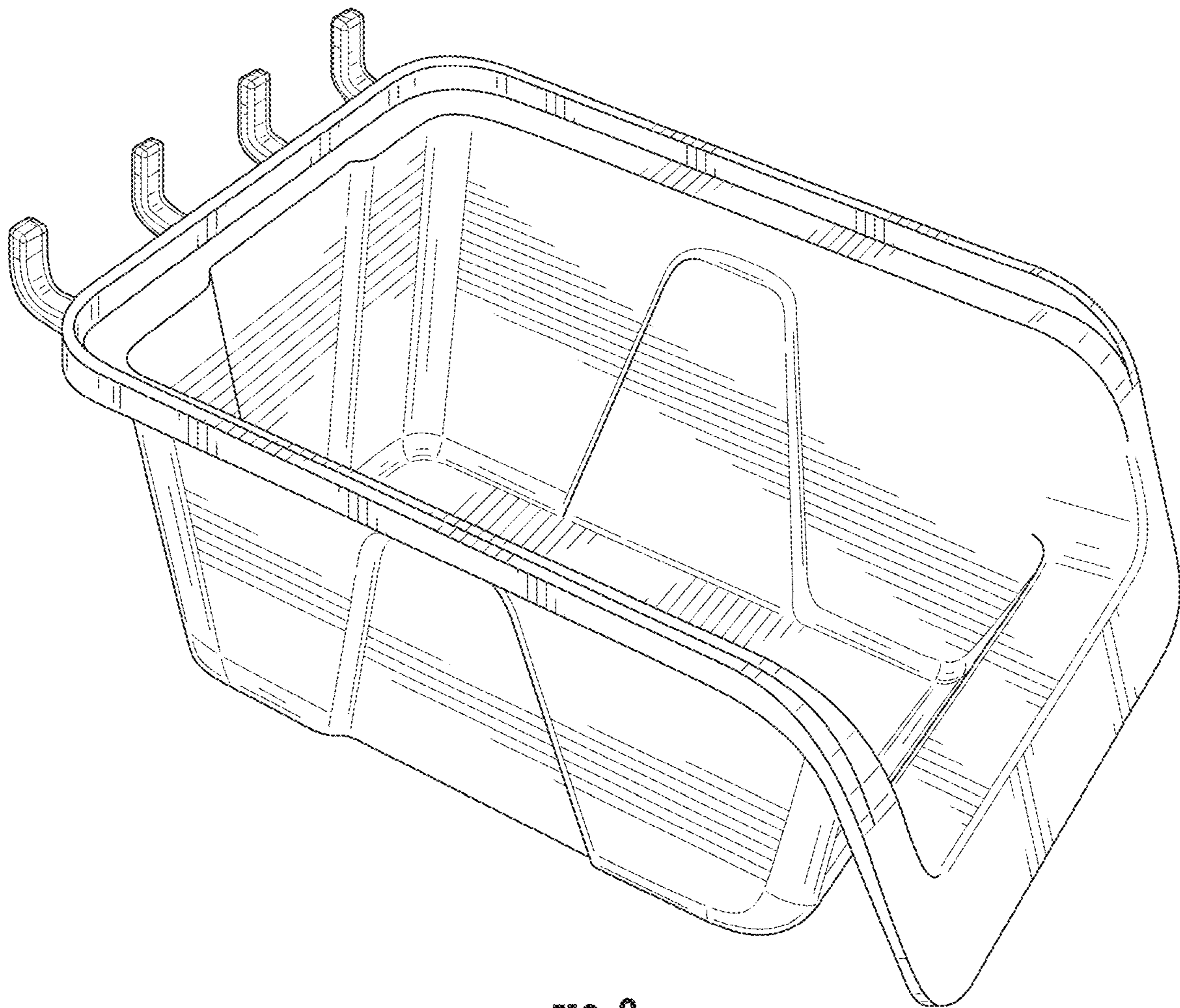


FIG. 8

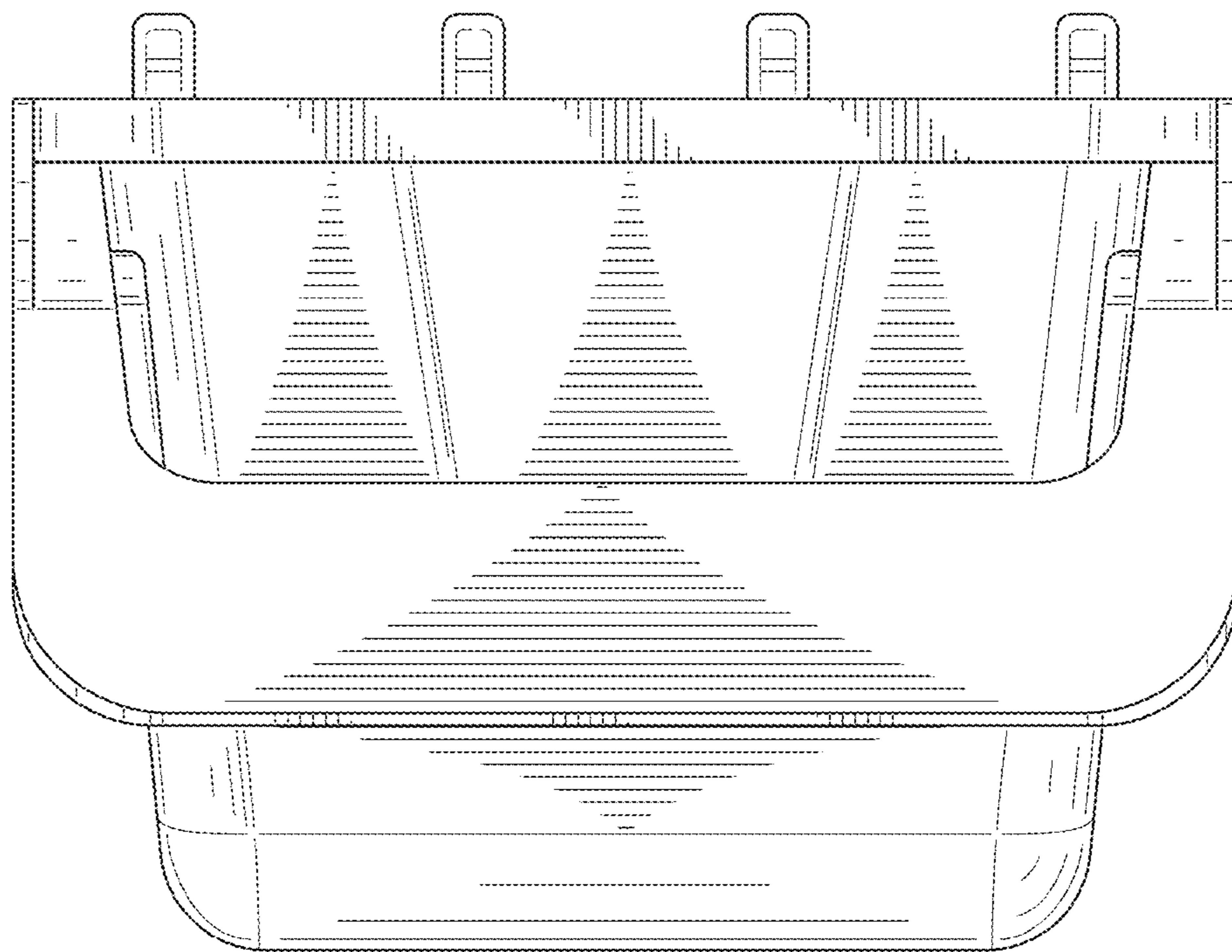


FIG. 9

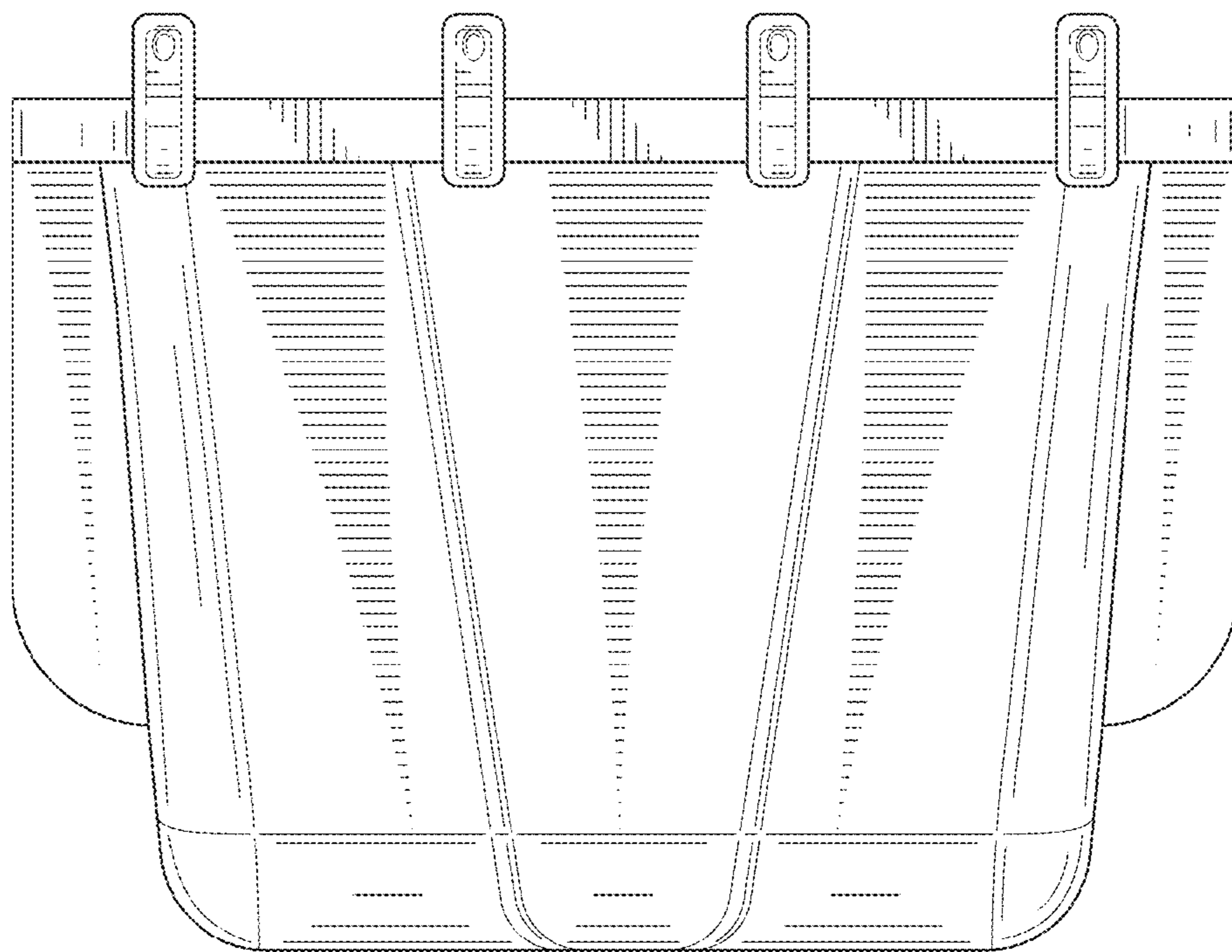


FIG. 10

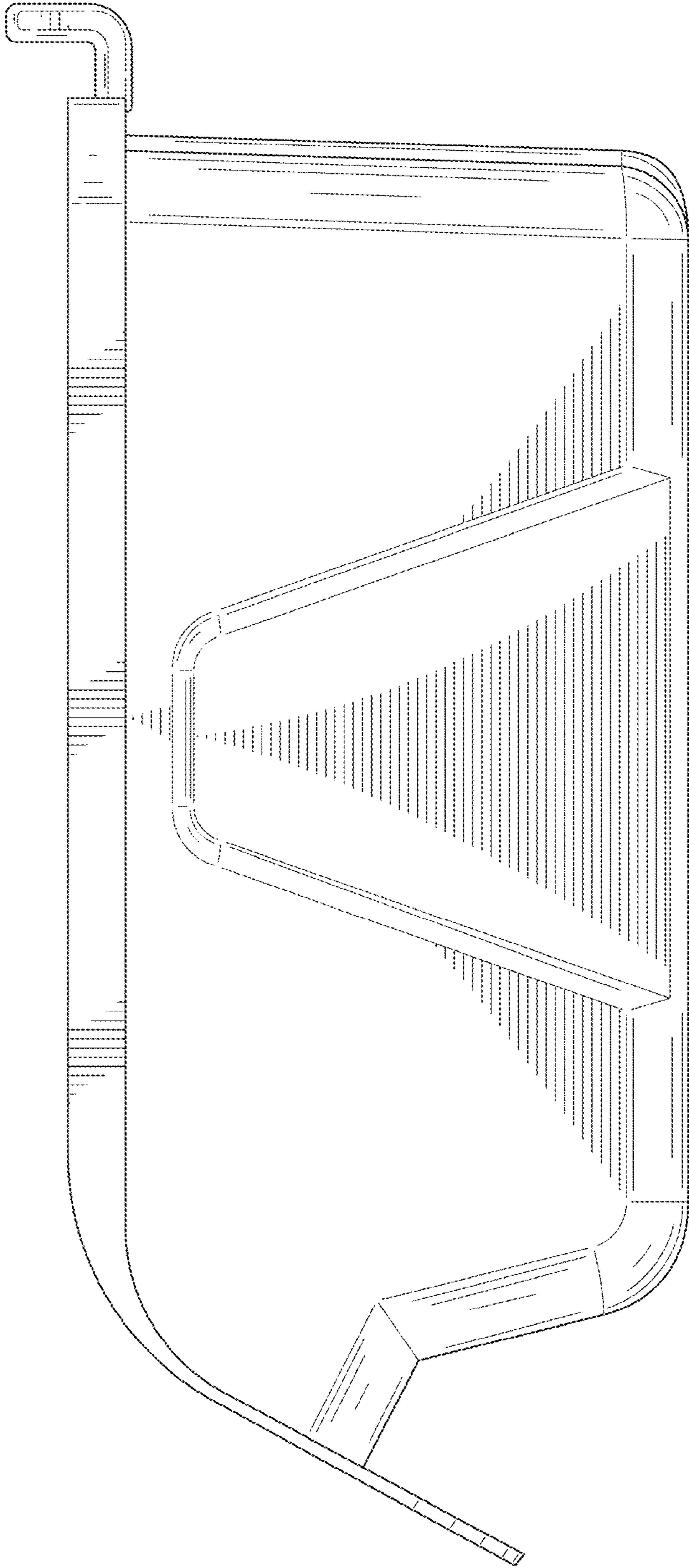


FIG. 11

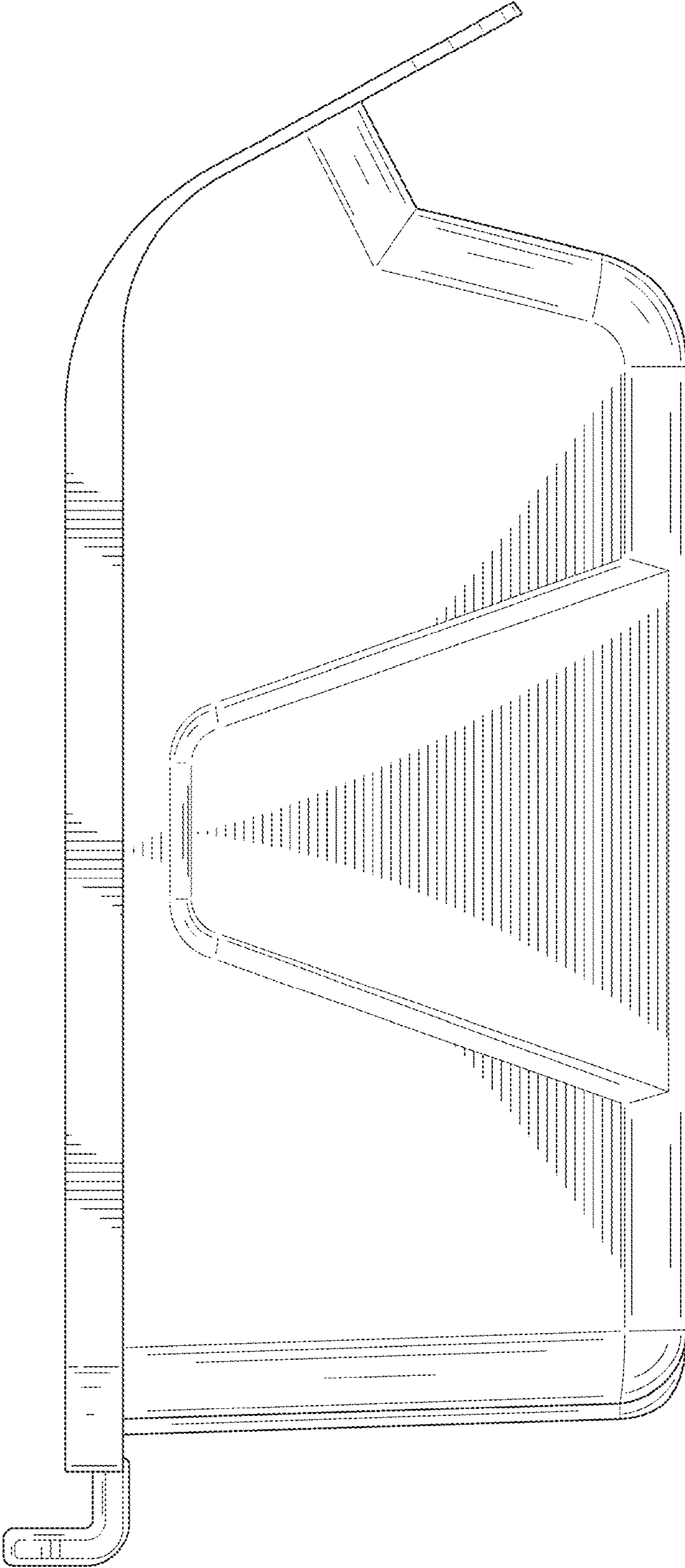


FIG. 12

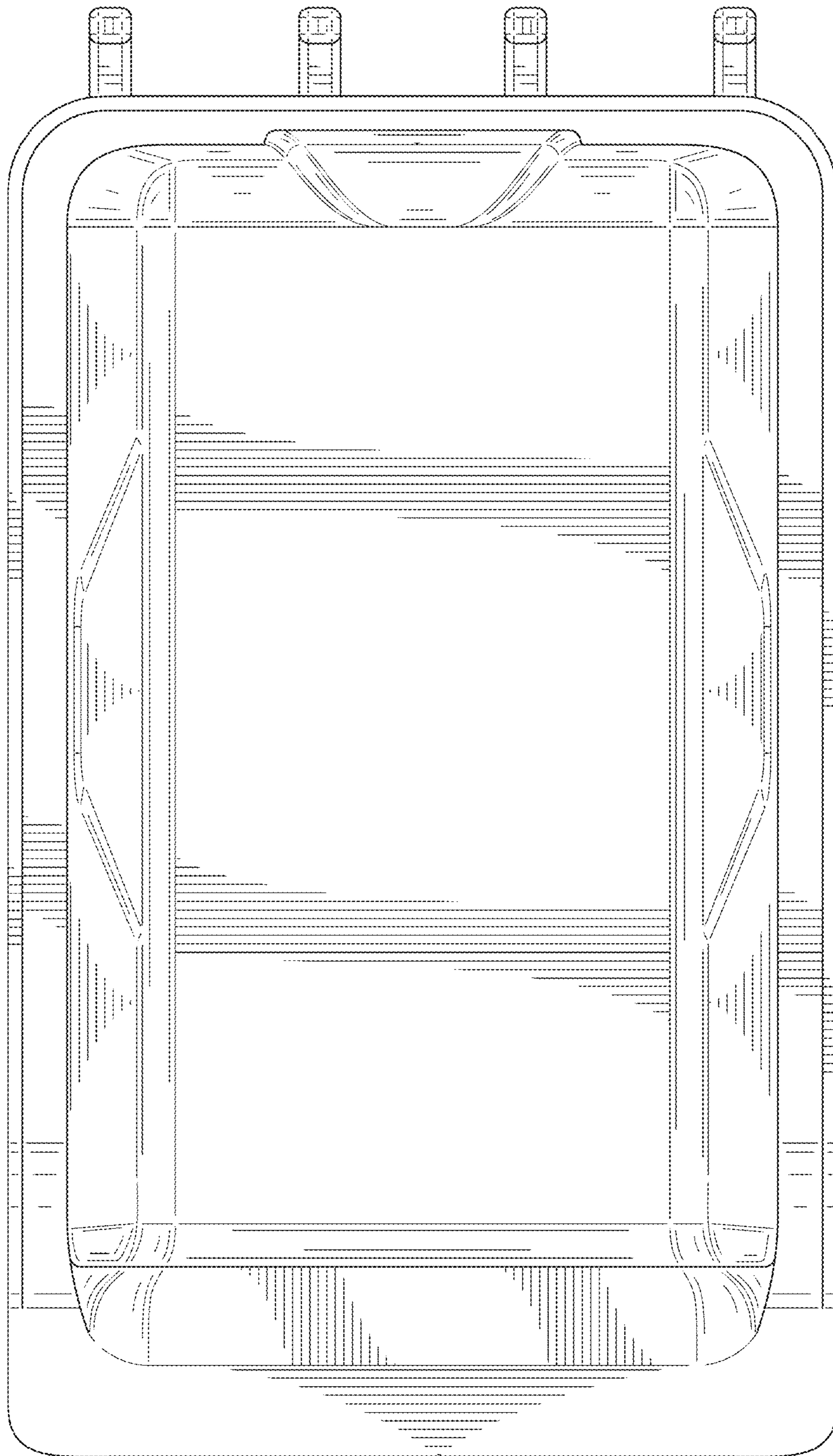


FIG. 13

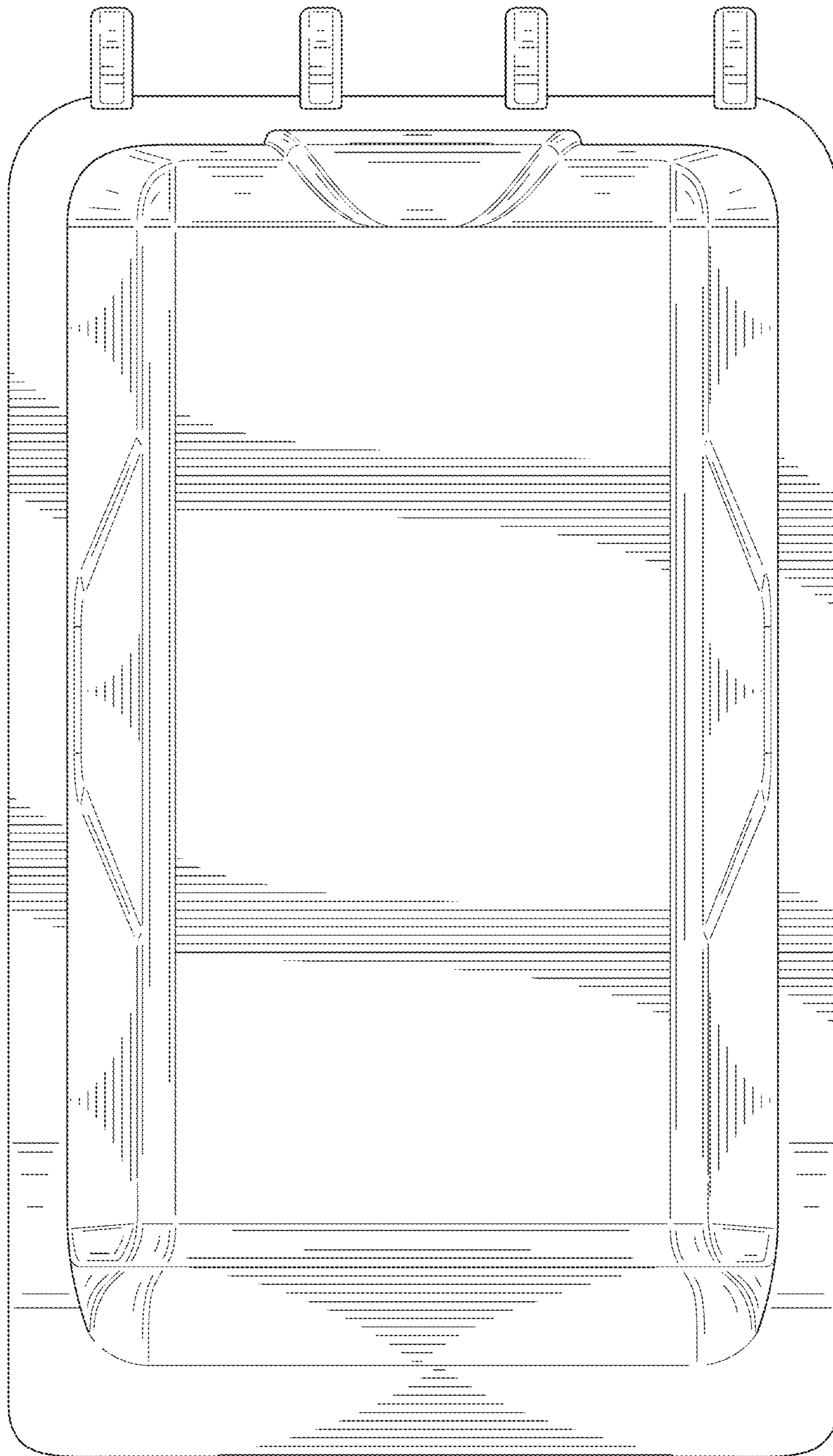


FIG. 14