



US00D923355S

(12) **United States Design Patent** (10) **Patent No.:** **US D923,355 S**  
**Turner** (45) **Date of Patent:** **\*\* Jun. 29, 2021**

(54) **DISINFECTANT DISPENSER**  
(71) Applicant: **Tristel PLC**, Newmarket (GB)  
(72) Inventor: **Jeremy Turner**, Omokoroa (NZ)  
(73) Assignee: **TRISTEL PLC**, New Market (GB)  
(\*\*) Term: **15 Years**  
(21) Appl. No.: **29/643,847**  
(22) Filed: **Apr. 12, 2018**  
(51) **LOC (13) Cl.** ..... **23-02**  
(52) **U.S. Cl.**  
USPC ..... **D6/542**  
(58) **Field of Classification Search**  
USPC ..... D6/542-545; D7/300.2, 397, 398;  
D9/434-436, 439, 440, 443, 447, 448,  
D9/449, 499, 682, 723; D24/108, 127;  
220/377; 221/280, 282, 283; 222/556,  
222/557, 402.13, 281, 181.2, 397  
CPC ..... G08B 21/245; G16H 40/20; A61L 2/22;  
A61L 2/18; E03D 9/038  
See application file for complete search history.

D527,631 S \* 9/2006 Mallet ..... D9/449  
D531,031 S \* 10/2006 Lussier ..... D9/447  
D587,115 S \* 2/2009 Capretta ..... D9/434  
D763,691 S \* 8/2016 Marantis ..... D9/434  
D768,490 S \* 10/2016 Robinson ..... D9/449  
D786,652 S \* 5/2017 Lira-Nunez ..... D8/321  
D786,966 S \* 5/2017 Matsushita ..... D18/56  
D795,606 S \* 8/2017 Cudworth ..... D6/515  
D802,326 S \* 11/2017 Beaver ..... D6/515  
D806,520 S \* 1/2018 Krombein ..... D8/354  
D808,263 S \* 1/2018 Patel ..... D9/436  
D808,680 S \* 1/2018 Dunn ..... D6/515  
D843,215 S \* 3/2019 Steigelman ..... D9/453

\* cited by examiner

*Primary Examiner* — Nathan M Johnston  
(74) *Attorney, Agent, or Firm* — Hayes Soloway PC

(56) **References Cited**

U.S. PATENT DOCUMENTS

D185,724 S \* 7/1959 Terwilliger ..... D9/439  
3,716,163 A \* 2/1973 Marcel ..... B65D 39/0017  
215/320  
D304,301 S \* 10/1989 Moss ..... D9/436  
D327,016 S \* 6/1992 Leuenberger ..... D9/435  
D385,191 S \* 10/1997 Cheek ..... D9/436  
D419,071 S \* 1/2000 Peters ..... D9/449  
D445,678 S \* 7/2001 Malmborg ..... D9/434  
D445,679 S \* 7/2001 Malmborg ..... D9/434  
D445,681 S \* 7/2001 Kimble ..... D9/434  
D468,202 S \* 1/2003 Chou ..... D9/425  
D475,923 S \* 6/2003 Renz ..... D9/446  
D493,993 S \* 8/2004 Roberts, III ..... D6/550  
6,905,045 B2 \* 6/2005 Yu Chen ..... B65B 67/085  
221/33

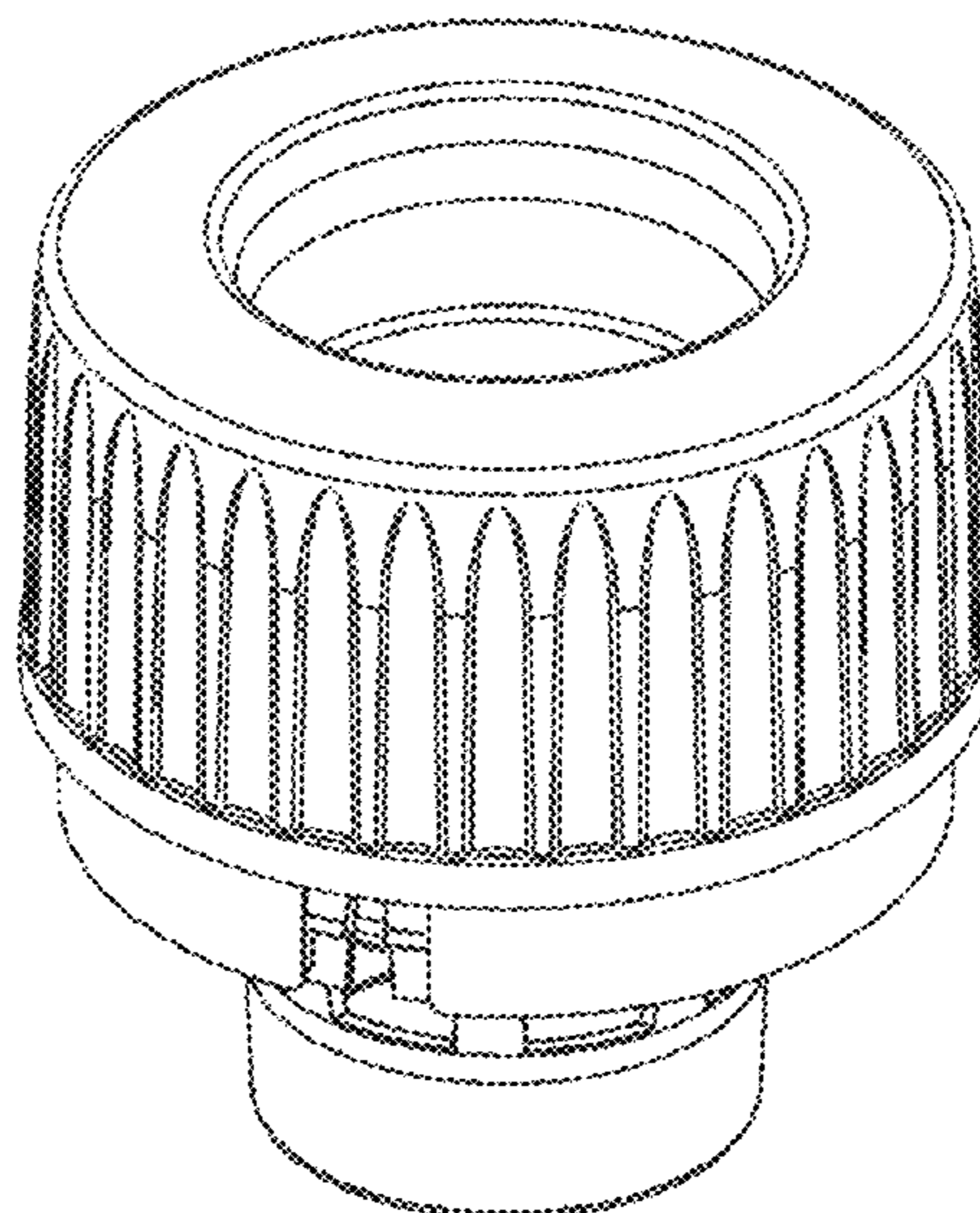
(57) **CLAIM**

I claim the ornamental design for a disinfectant dispenser, as shown and described.

**DESCRIPTION**

FIG. 1 is a perspective view of a disinfectant dispenser showing the new design;  
FIG. 2 is a front elevation view of a disinfectant dispenser thereof;  
FIG. 3 is a back elevation view of a disinfectant dispenser thereof;  
FIG. 4 is a left side elevation view of a disinfectant dispenser thereof;  
FIG. 5 is a right side elevation view of a disinfectant dispenser thereof;  
FIG. 6 is a top plan view of a disinfectant dispenser thereof;  
and,  
FIG. 7 is a bottom plan view of a disinfectant dispenser thereof.  
The broken lines show portions of the design that form no part of the claimed design.

**1 Claim, 7 Drawing Sheets**



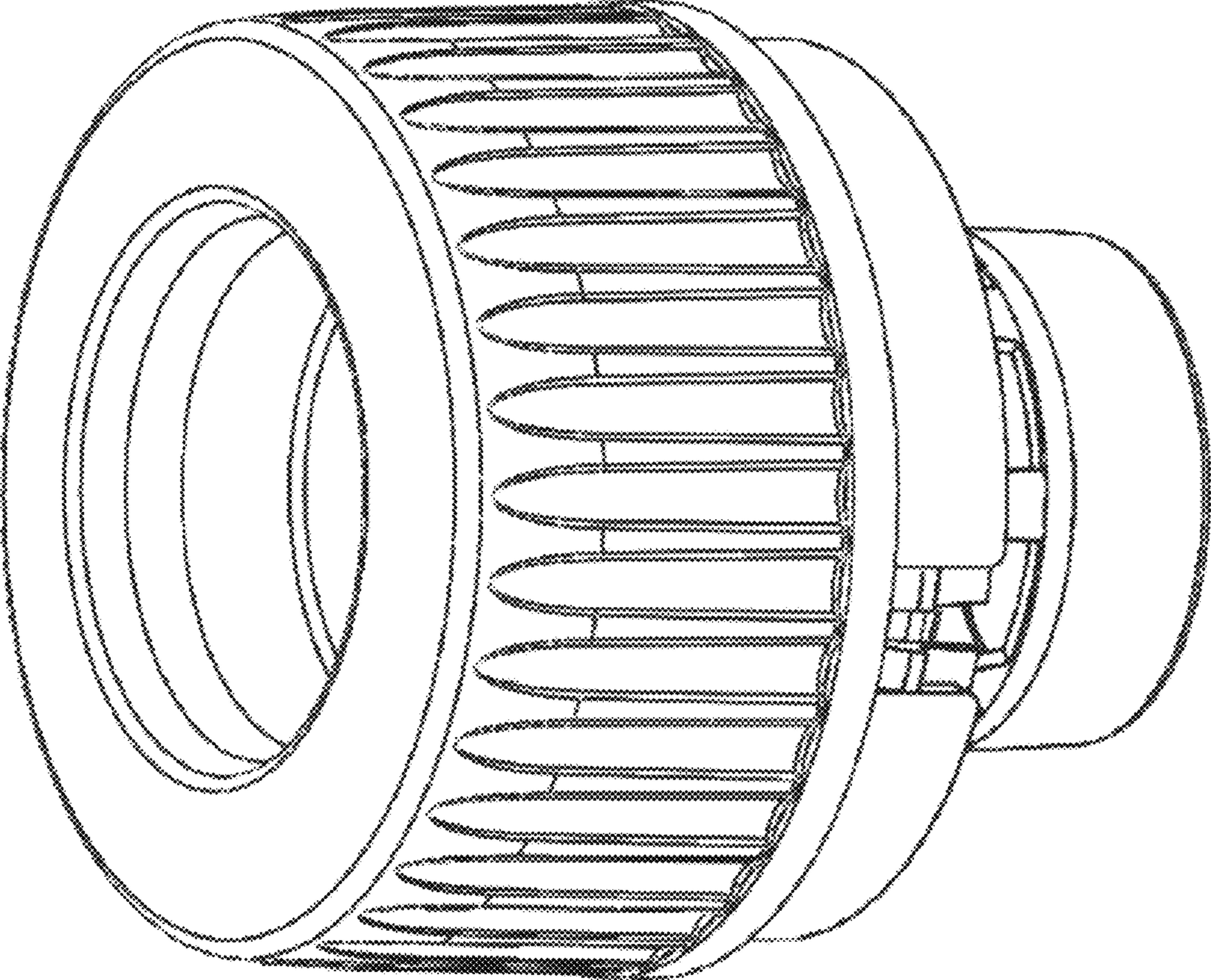
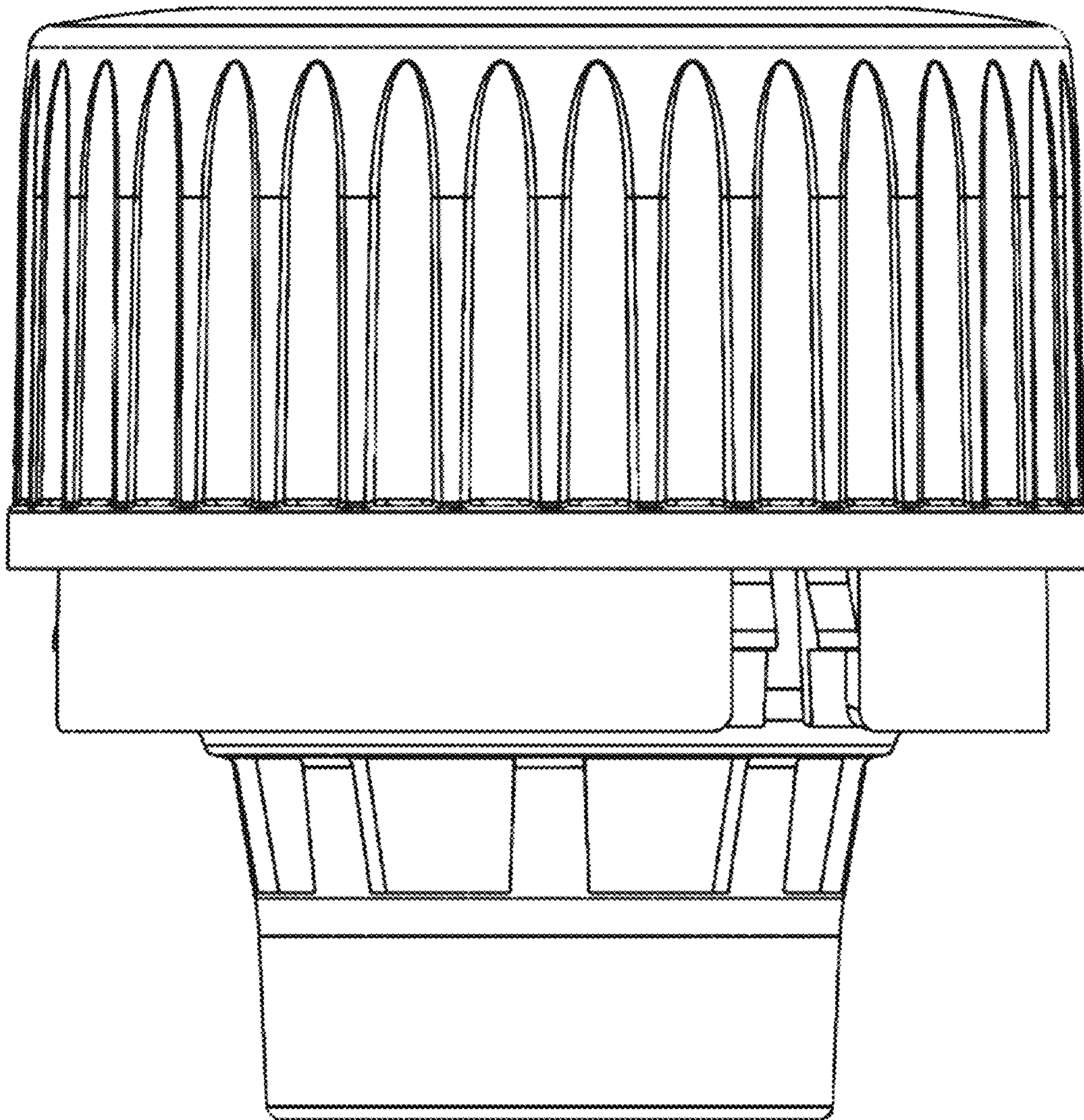


FIG. 1



**FIG. 2**

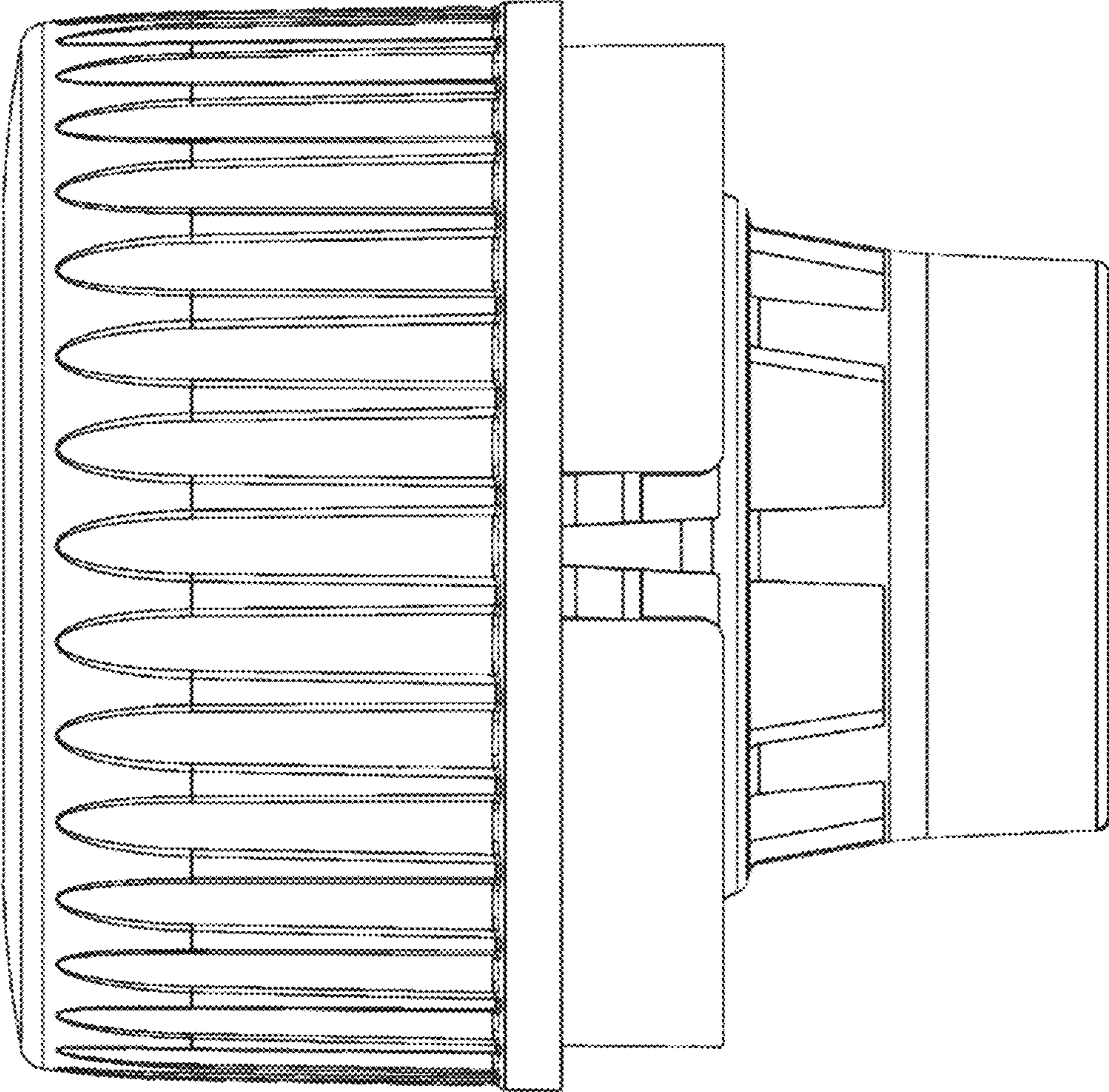


FIG. 3

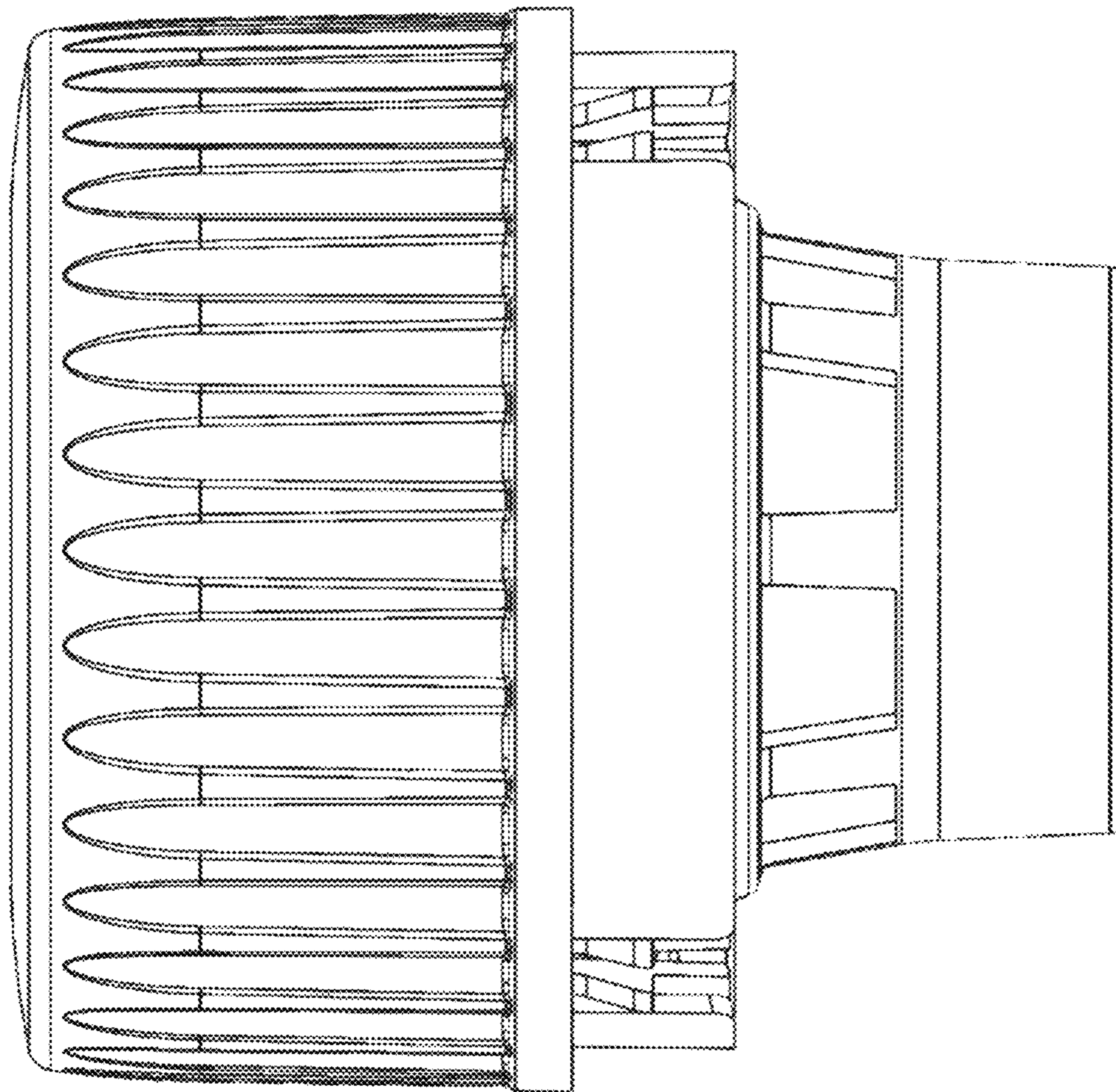
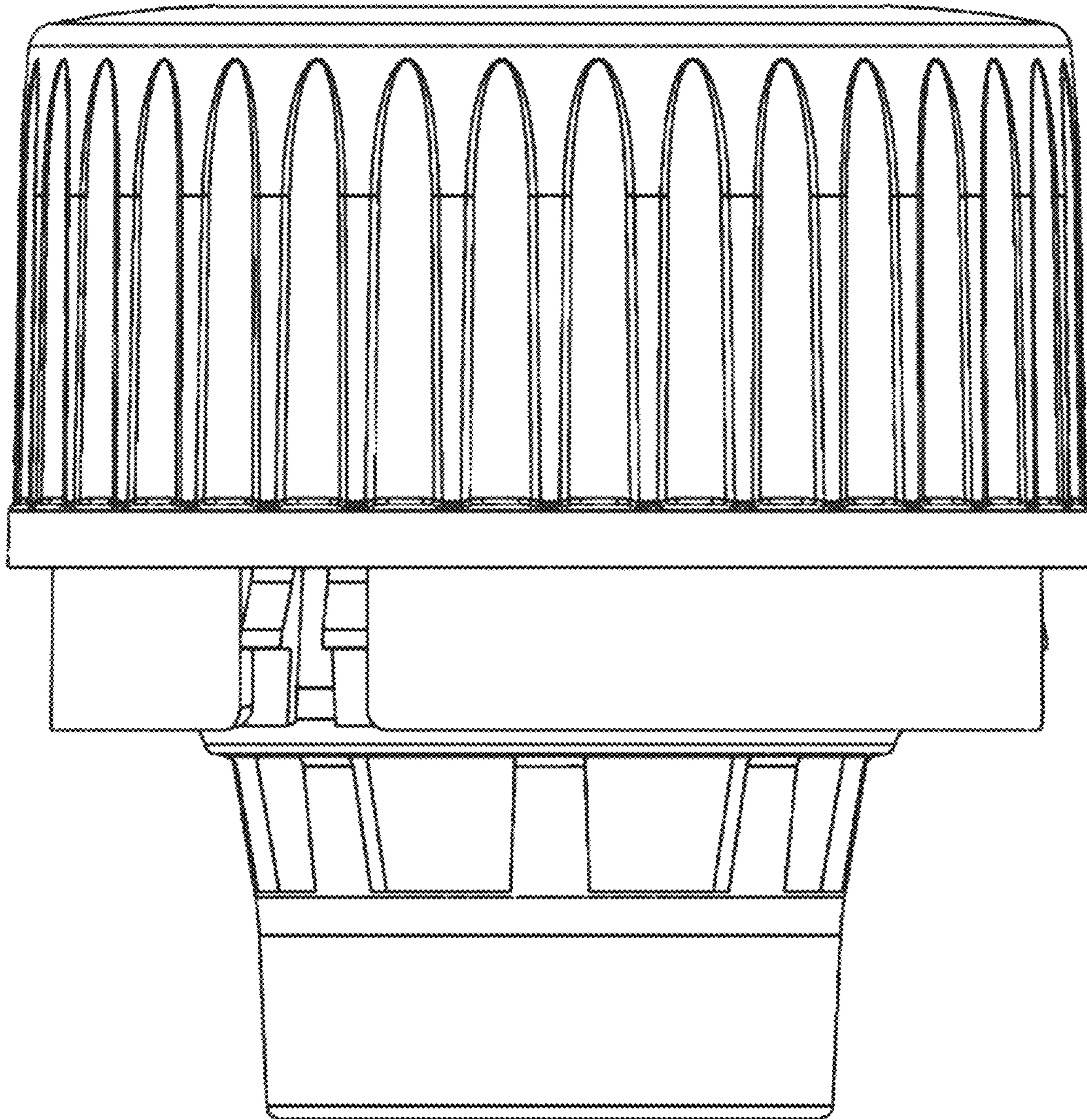


FIG. 4



**FIG. 5**

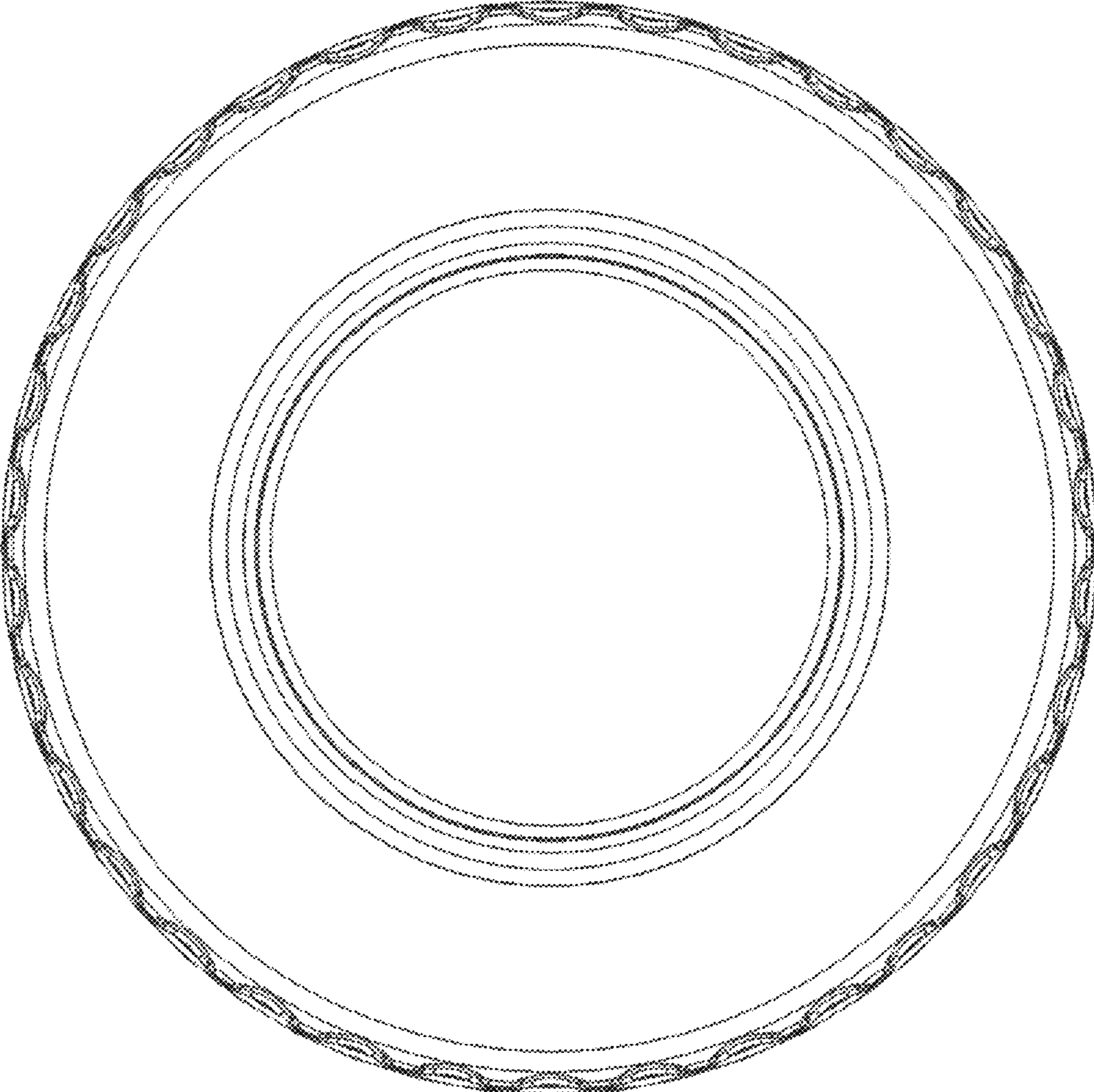
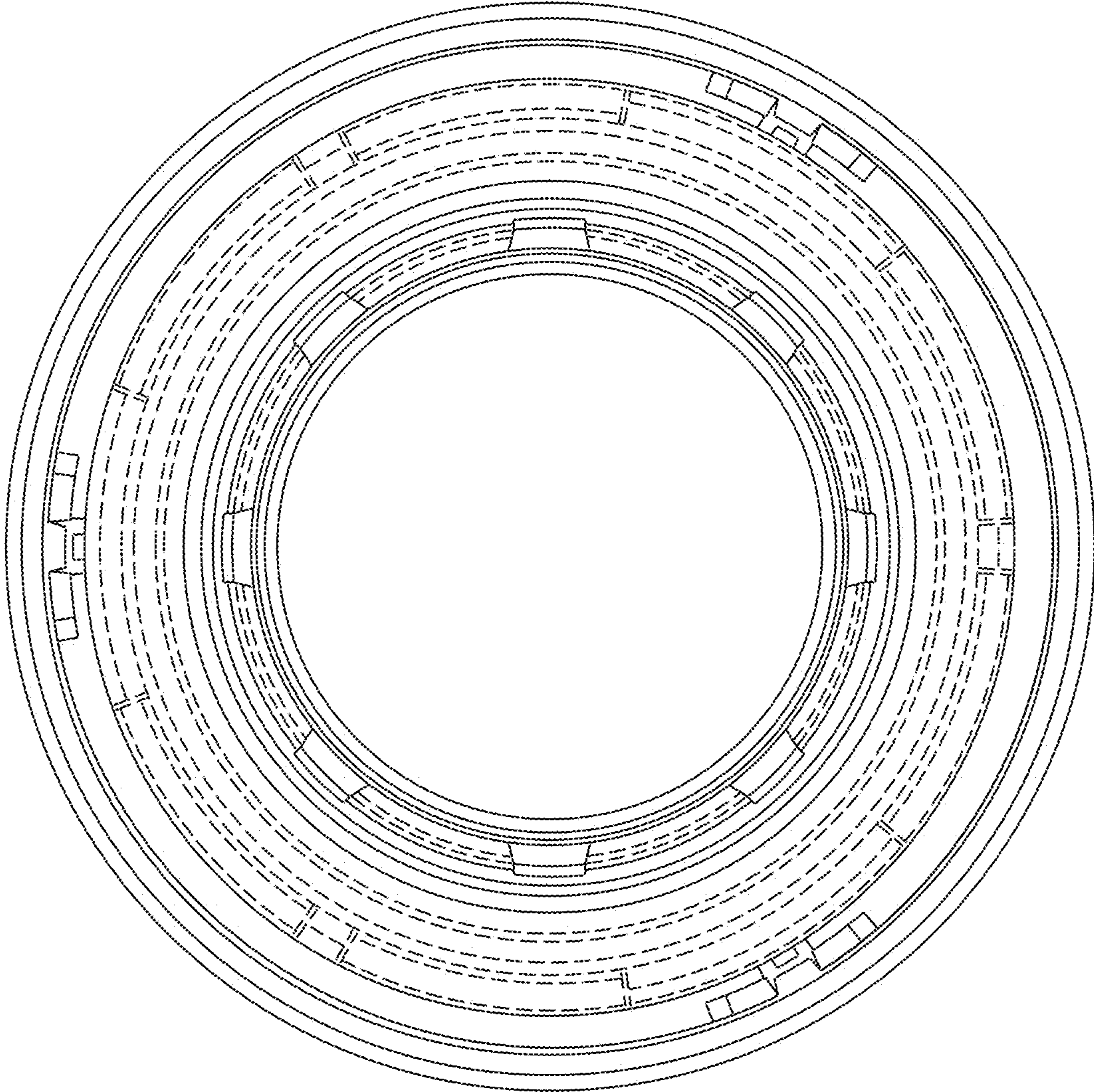


FIG. 6



**FIG. 7**