



US00D923353S

(12) **United States Design Patent**
Schmidhauser

(10) **Patent No.:** **US D923,353 S**

(45) **Date of Patent:** **** Jun. 29, 2021**

(54) **TISSUE DISPENSER AND DISPOSAL**

(71) Applicant: **Mark Schmidhauser**, Bayville, NJ
(US)

(72) Inventor: **Mark Schmidhauser**, Bayville, NJ
(US)

(**) Term: **15 Years**

(21) Appl. No.: **29/687,786**

(22) Filed: **Apr. 16, 2019**

(51) **LOC (13) Cl.** **20-02**

(52) **U.S. Cl.**
USPC **D6/515**

(58) **Field of Classification Search**
USPC D6/515, 518, 520-524; 108/28-29;
211/13.1, 16, 60.1, 86.01, 87.01, 88.01,
211/88.04, 100, 105.1, 105.2, 123, 181.1,
211/182; 220/216; 242/570, 590,
242/595-598, 597.7; 248/175, 176.1,
248/251, 302
CPC A47K 2010/3266; A47K 10/36; A47K
10/3818; A47K 10/424
See application file for complete search history.

(56) **References Cited**

U.S. PATENT DOCUMENTS

D329,773 S * 9/1992 Addison D6/520
D389,681 S * 1/1998 Mullin D6/515

D634,138 S * 3/2011 Wallace D6/518
D658,413 S * 5/2012 Renzelman D6/520
D658,914 S * 5/2012 Rich D6/518
D731,808 S * 6/2015 Hazem D6/518

* cited by examiner

Primary Examiner — Wan Laymon

Assistant Examiner — Mark Booker

(74) *Attorney, Agent, or Firm* — Dale J. Ream

(57) **CLAIM**

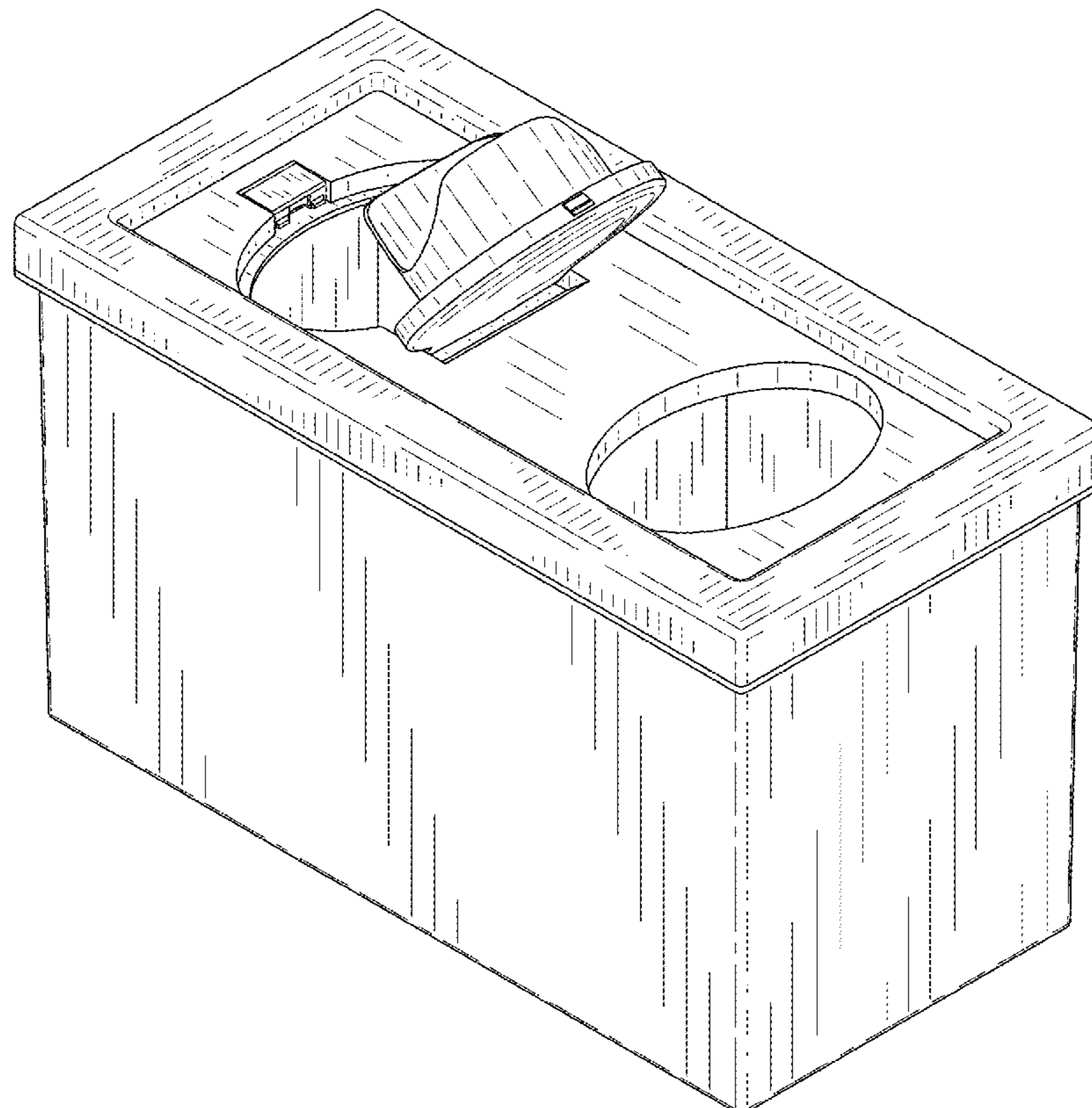
The ornamental design for a tissue dispenser and disposal, as shown and described.

DESCRIPTION

FIG. 1 is a front perspective view of a tissue dispenser and disposal showing my new design; FIG. 2 is a front view thereof; FIG. 3 is a rear view thereof; FIG. 4 is a top plan view thereof; FIG. 5 is a bottom plan view thereof; FIG. 6 is a left side view thereof; and, FIG. 7 is a right side view thereof.

The broken line shown in the figures is included for the purpose of illustrating portions of the tissue dispenser and disposal and form no part of the claimed design.

1 Claim, 7 Drawing Sheets



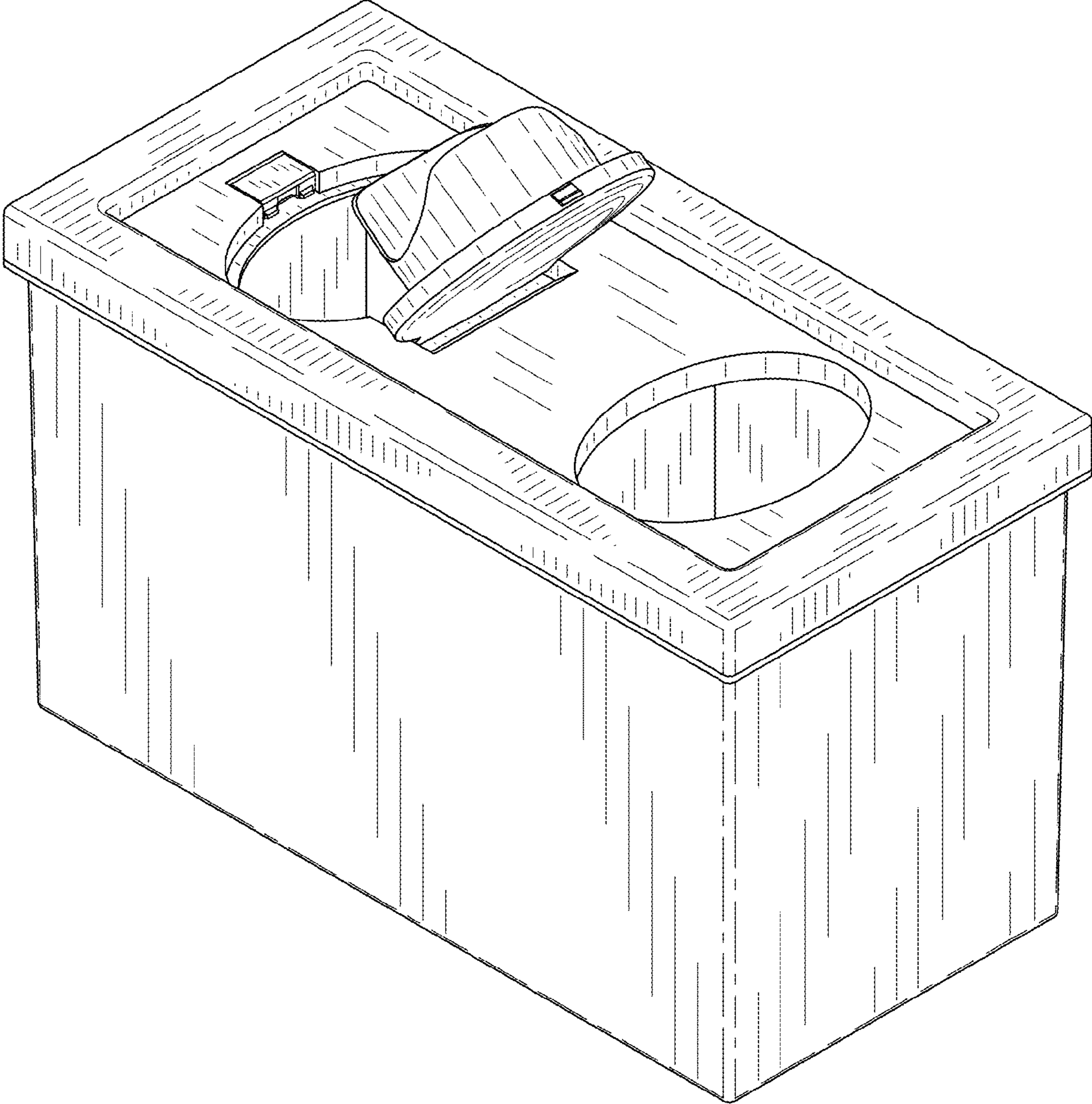


FIG. 1

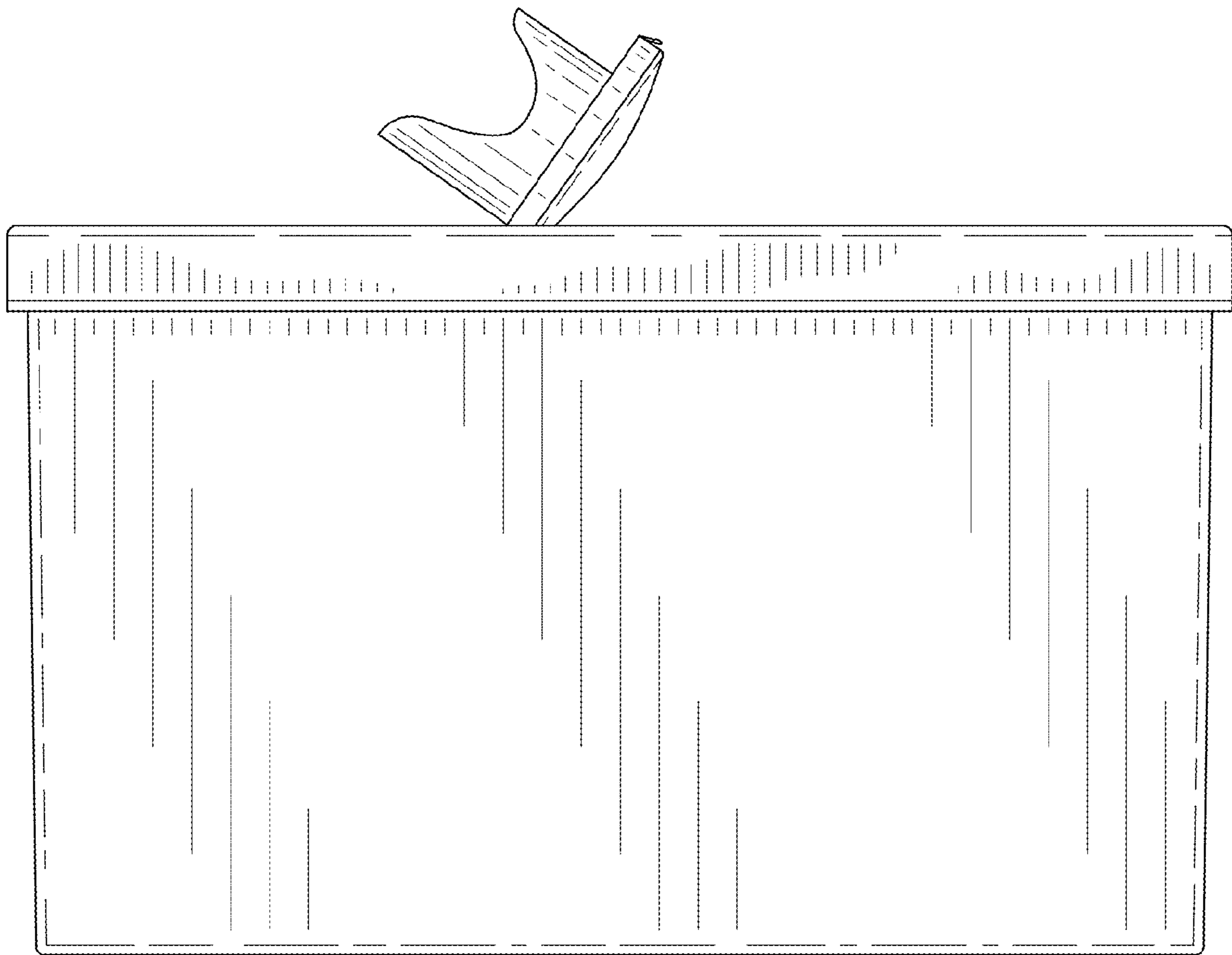


FIG. 2

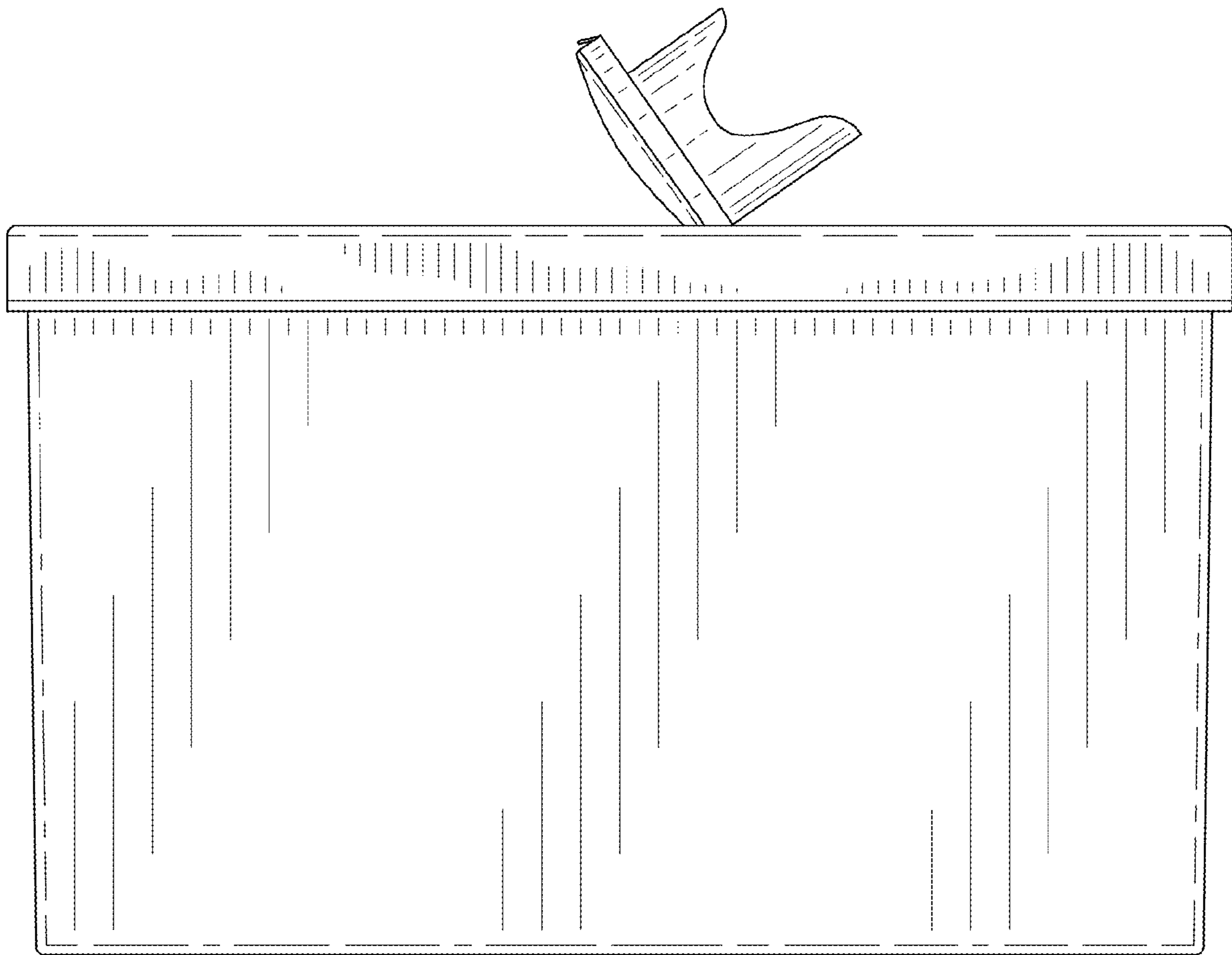


FIG. 3

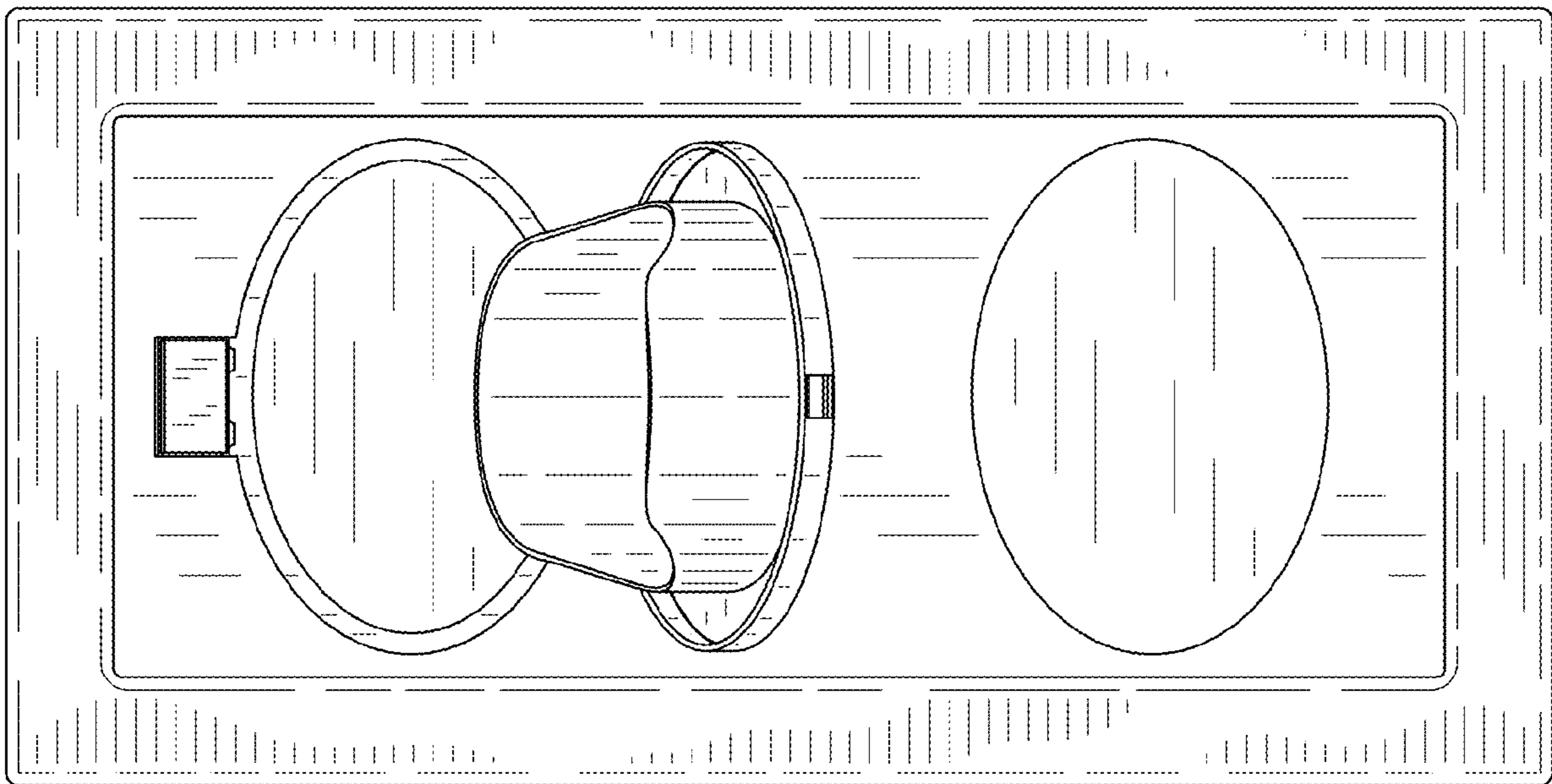


FIG. 4

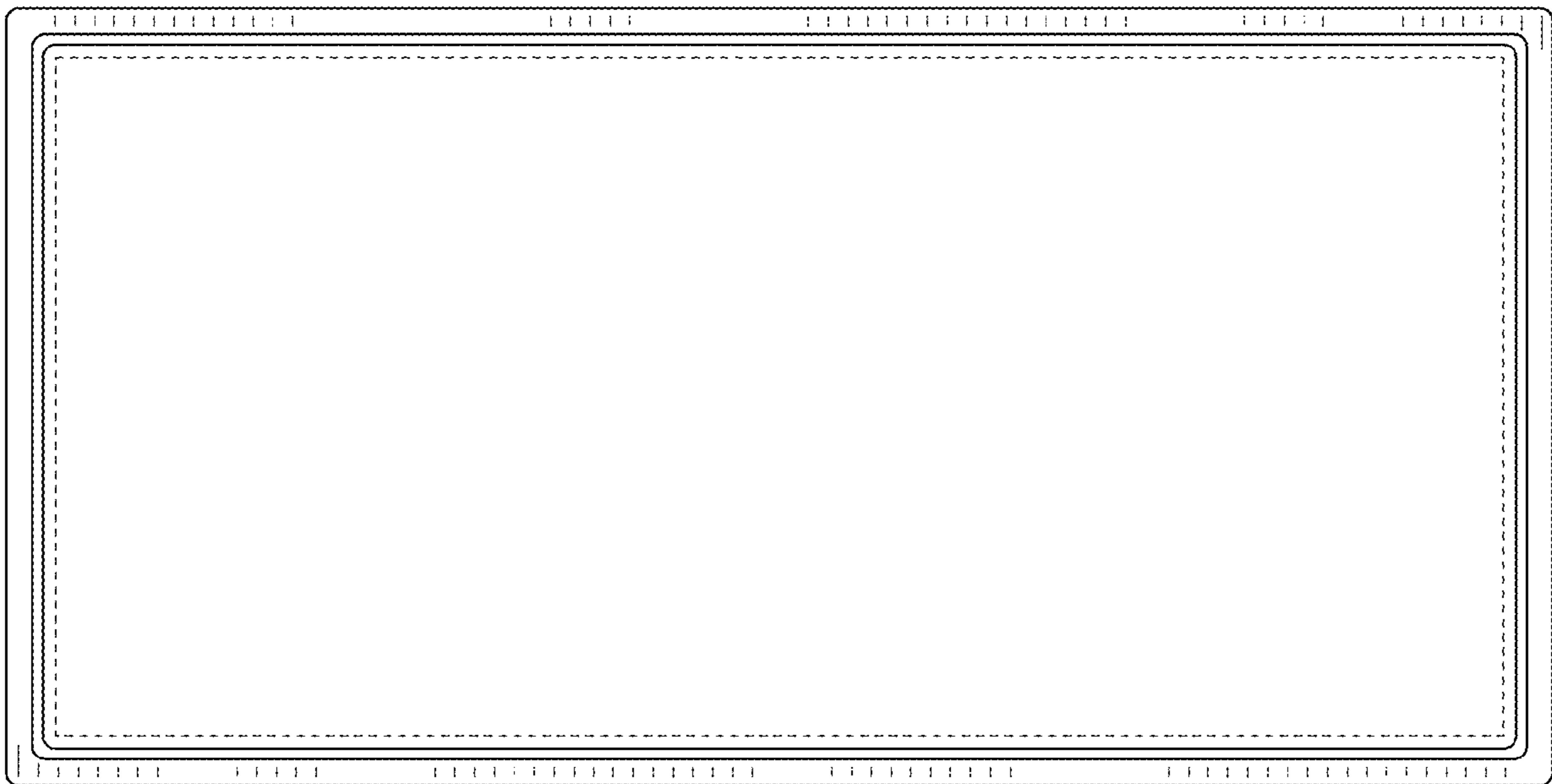


FIG. 5

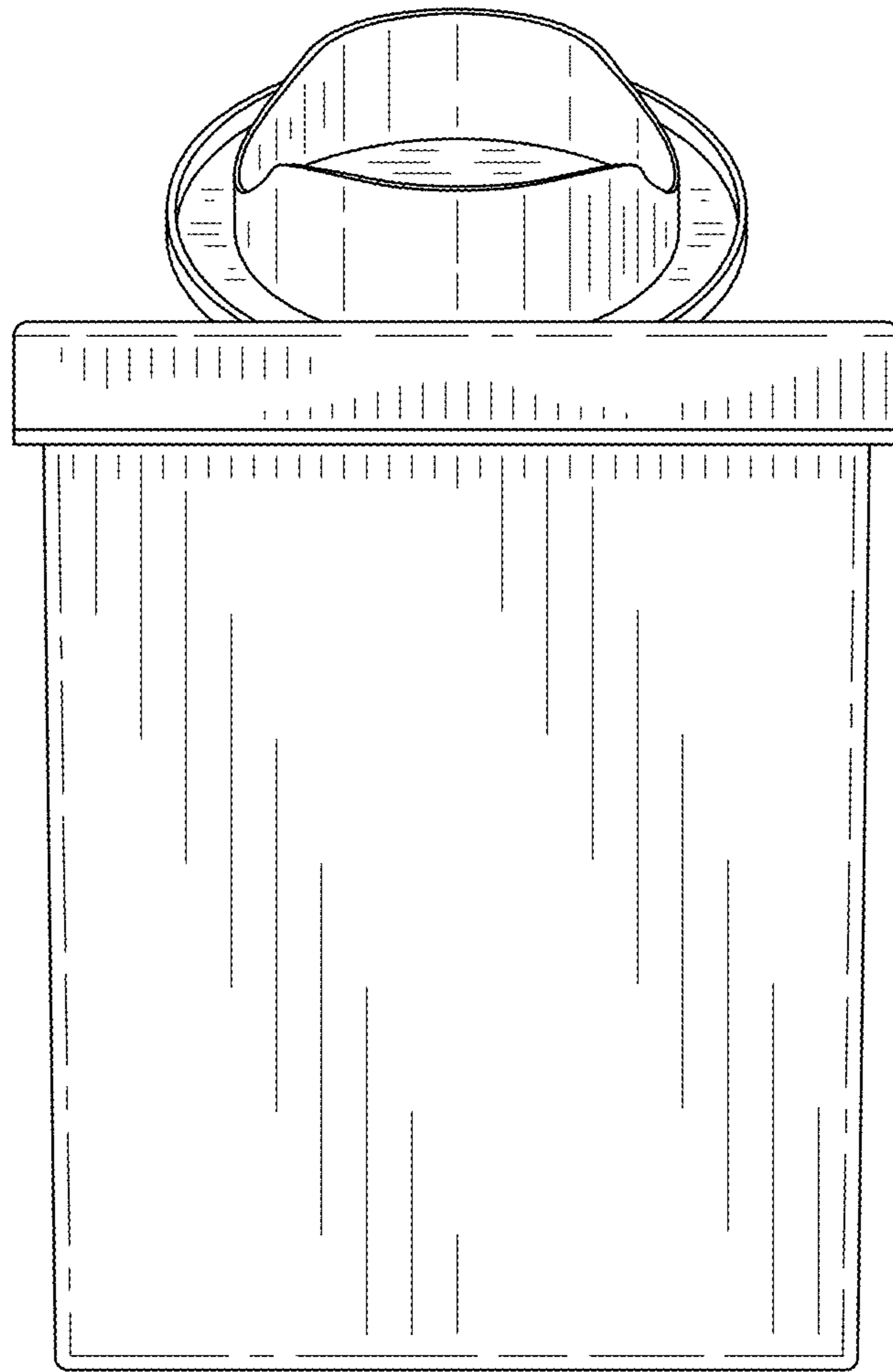


FIG. 6

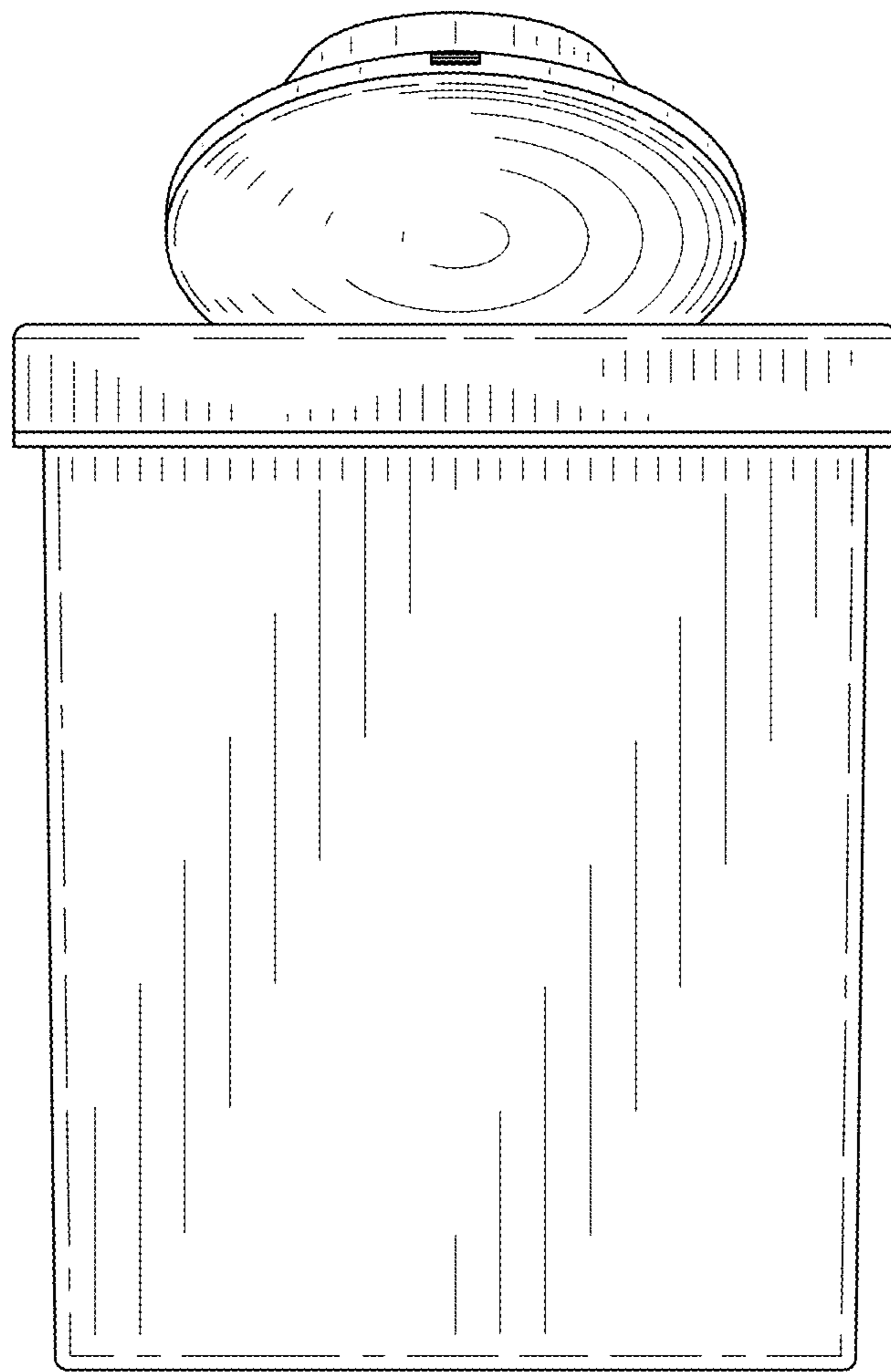


FIG. 7