



US00D923352S

(12) **United States Design Patent** (10) **Patent No.:** **US D923,352 S**
Gong (45) **Date of Patent:** **** Jun. 29, 2021**

(54) **DIAPER CHANGING TABLE**

FOREIGN PATENT DOCUMENTS

(71) Applicant: **Nanjing Yihua Import Export Trade LLC, Nanjing (CN)**

CN 2018-89222N * 11/2018
CN 2019-55994Q * 6/2019 A47G 25/06

(Continued)

(72) Inventor: **Yuqin Gong, Nanjing (CN)**

(**) Term: **15 Years**

OTHER PUBLICATIONS

(21) Appl. No.: **29/753,189**

“EGREE Baby Changing Table.” Found online Feb. 11, 2021 at www.amazon.com. Product reviewed Jun. 28, 2020. Retrieved from URL: <https://www.amazon.com/EGREE-Changing-Station-Adjustable-Organizer/dp/B086ZWD5JX?th=1> (Year: 2020).*

(22) Filed: **Sep. 30, 2020**

(Continued)

(51) **LOC (13) Cl.** **06-02**

(52) **U.S. Cl.**

USPC **D6/391**; D6/691.6

(58) **Field of Classification Search**

USPC D6/331, 333, 336, 349, 353, 368, 390, D6/391, 691, 691.6, 708.16, 718

CPC A47B 2003/025; A47B 2003/045; A47B 3/02; A47B 13/16; A47B 37/04; A47C 9/10; A47C 4/283; A47D 9/005; A47D 5/006; A47D 13/063; A47D 15/008; A47D 1/10; A45F 3/24

See application file for complete search history.

Primary Examiner — Mary Ann Calabrese

Assistant Examiner — Katelin G Kloberg

(74) *Attorney, Agent, or Firm* — Runit Ranjit Kanakia

(56) **References Cited**

U.S. PATENT DOCUMENTS

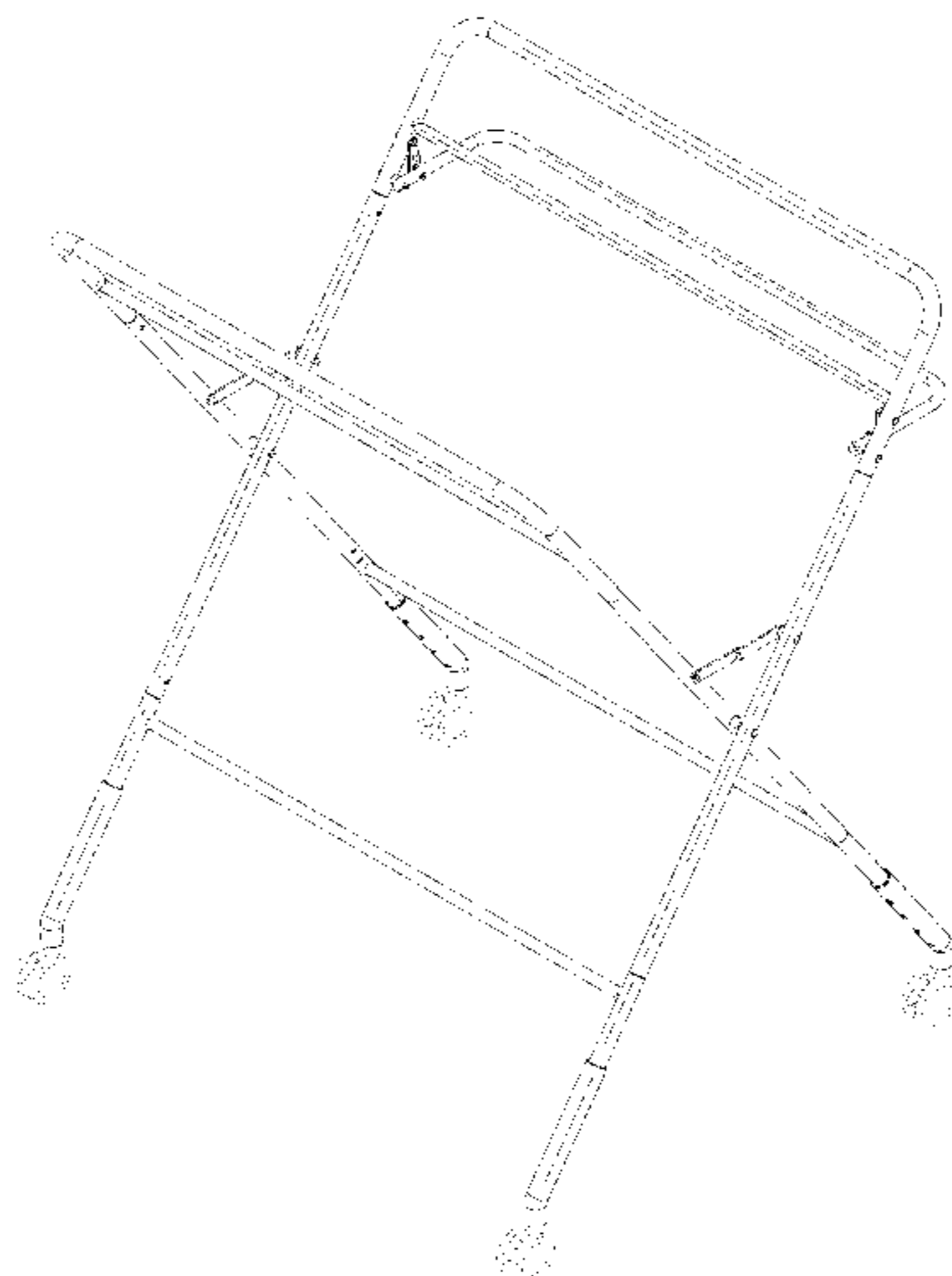
- 1,391,650 A * 9/1921 Truesdell A47B 3/00
4/551
- 1,426,160 A * 8/1922 Driver A47B 3/02
108/26
- 1,543,985 A * 6/1925 Caldwell A47B 3/02
108/29
- 1,557,813 A * 10/1925 Derse A47C 4/283
108/175
- 2,197,992 A * 4/1940 Baxter A47D 5/006
108/159
- D158,030 S * 4/1950 Wagner D6/391
- 2,769,984 A * 11/1956 Skirvin A47K 3/064
4/551
- 3,034,153 A * 5/1962 Sargent A47D 5/006
5/98.1
- 3,122,397 A * 2/1964 Mintz A47C 9/10
297/188.13

(Continued)

DESCRIPTION

FIG. 1 is a Perspective view of a diaper changing table showing my new design;
FIG. 2 is a Front view thereof;
FIG. 3 is a Back view thereof;
FIG. 4 is a Right-side view thereof;
FIG. 5 is a Left-side view thereof;
FIG. 6 is a Top view thereof;
FIG. 7 is a Bottom view thereof; and,
FIG. 8 is a perspective view thereof, shown within an environment of use.
The broken lines are for the purpose of illustrating portions of the article that form no part of the claim.

1 Claim, 8 Drawing Sheets



(56)

References Cited

U.S. PATENT DOCUMENTS

3,146,736 A * 9/1964 Hetrick A47D 9/005
108/176
3,166,028 A * 1/1965 Zagel A47B 37/02
108/25
3,601,065 A * 8/1971 Sargent A47D 5/006
108/27
D233,392 S * 10/1974 Hutchison D6/691.6
4,122,780 A * 10/1978 Brickman A47B 3/02
108/25
D252,659 S * 8/1979 Brickman D6/682.2
4,229,845 A * 10/1980 de Cuadros A45F 3/24
5/114
5,522,642 A * 6/1996 Herzog A47C 3/38
248/188.2
D398,785 S * 9/1998 Pogue D6/336
D441,554 S * 5/2001 Holm D6/349
6,290,290 B1 * 9/2001 Kokuzian A47D 1/10
248/164
D747,889 S 1/2016 Head
D842,000 S 3/2019 Benedito Graells
D842,001 S 3/2019 Benedito Graells

FOREIGN PATENT DOCUMENTS

CN 2020-410815 * 5/2020 A47D 13/00
CN 2020-70963N * 7/2020 A47D 5/00
WO 1997-535506 * 2/1997 A47D 15/008
WO 2001-570825 * 5/2005 A47D 9/005

OTHER PUBLICATIONS

“Costzon Baby Changing Table.” Found online Feb. 11, 2021 at www.amazon.com. Product reviewed Mar. 11, 2018. Retrieved from URL: <https://www.amazon.com/Costzon-Changing-Folding-Station-Organizer/dp/B078PFKMK3?th=1> (Year: 2018).*
“INFANS Baby Diaper Table.” Found online Feb. 11, 2021 at www.amazon.com. Product reviewed Mar. 14, 2020. Retrieved from URL: <https://tinyurl.com/cp6j8q17> (Year: 2020).*
“Kinbor Baby Changing Table.” Found online Feb. 11, 2021 at www.amazon.com. Product reviewed Aug. 1, 2019. Retrieved from URL: <https://www.amazon.com/Kinbor-Baby-Changing-Folding-Organizer/dp/B07QG1NSFW?th=1> (Year: 2019).*

* cited by examiner

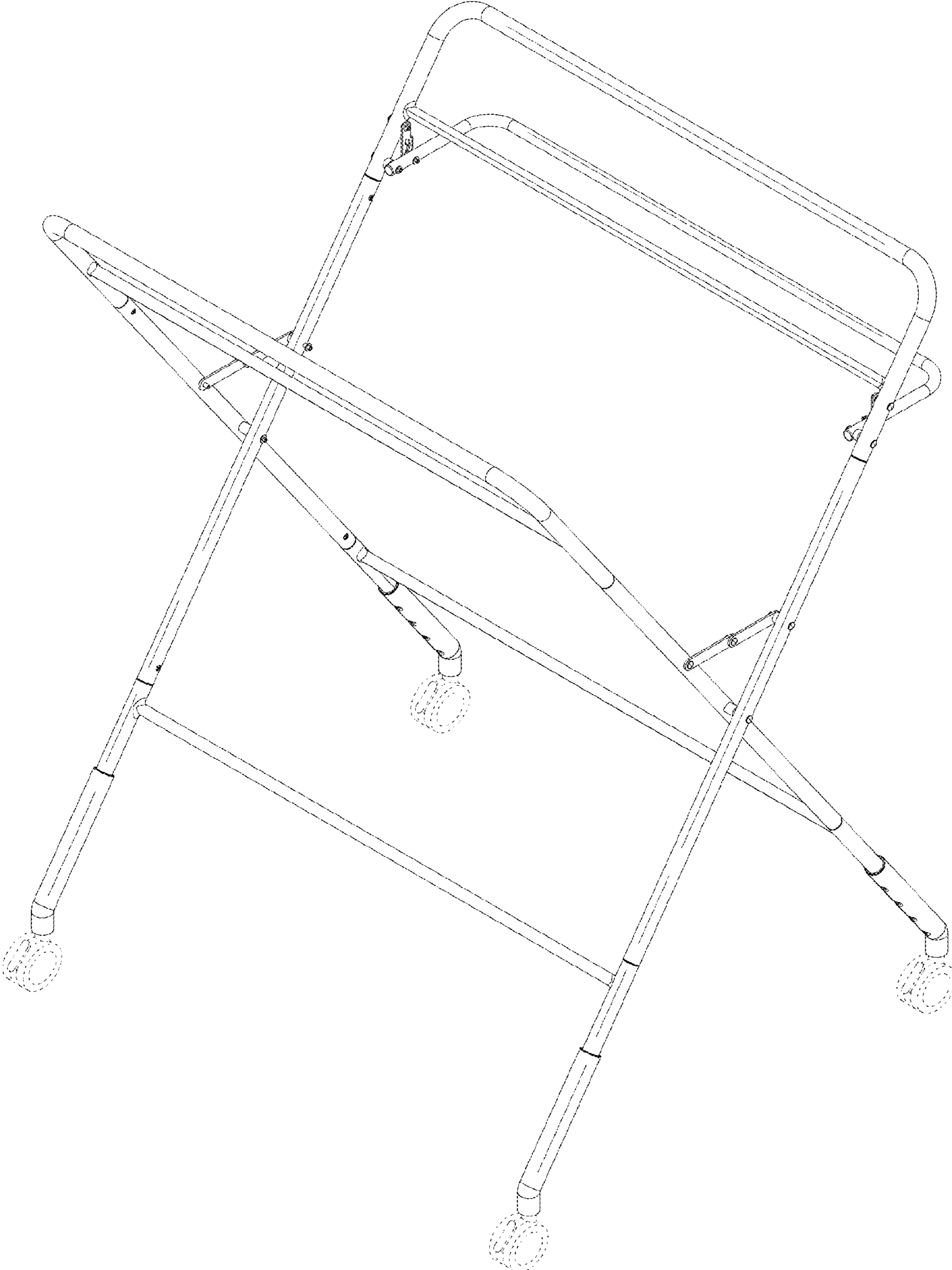


FIG. 1

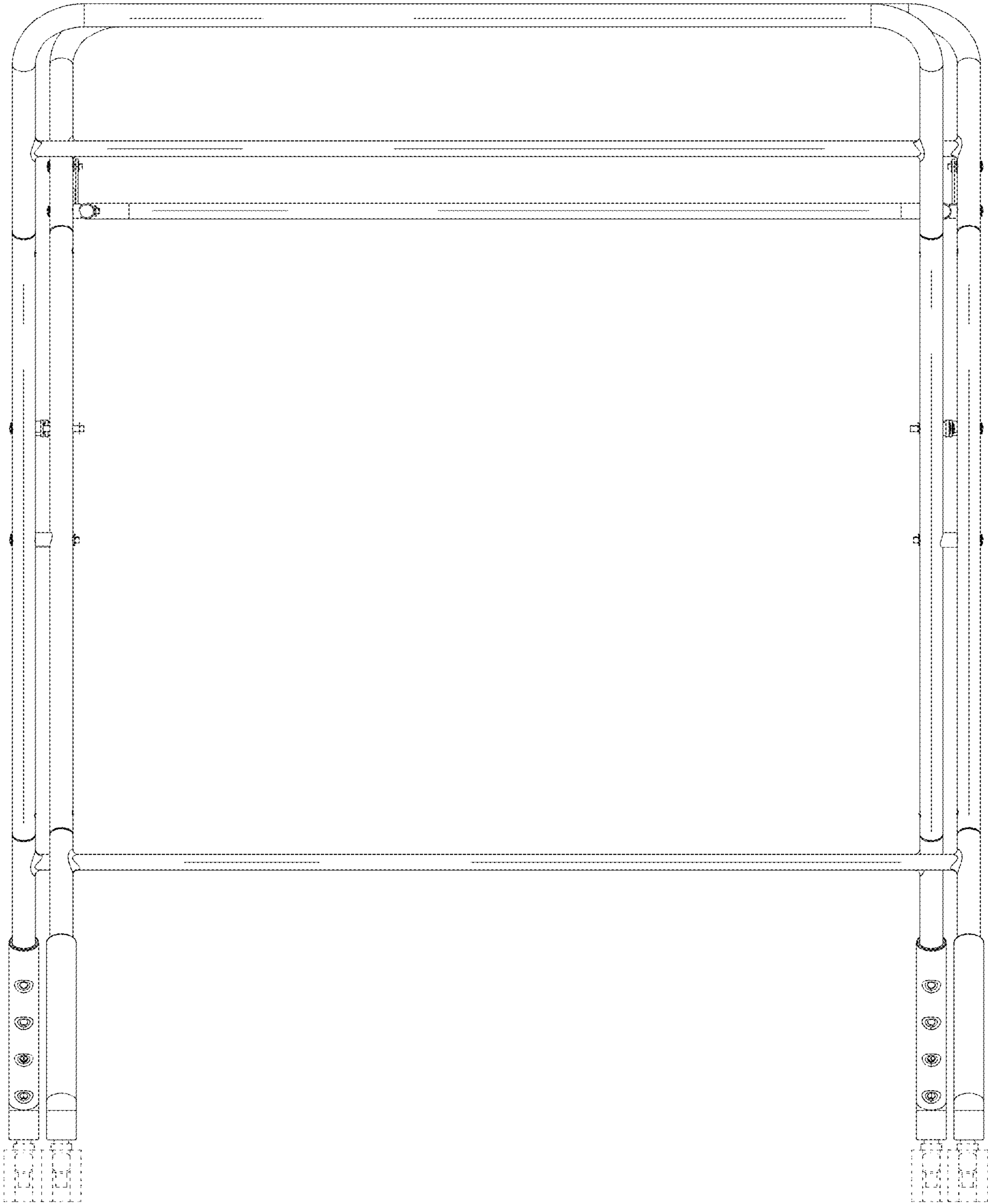


FIG. 2

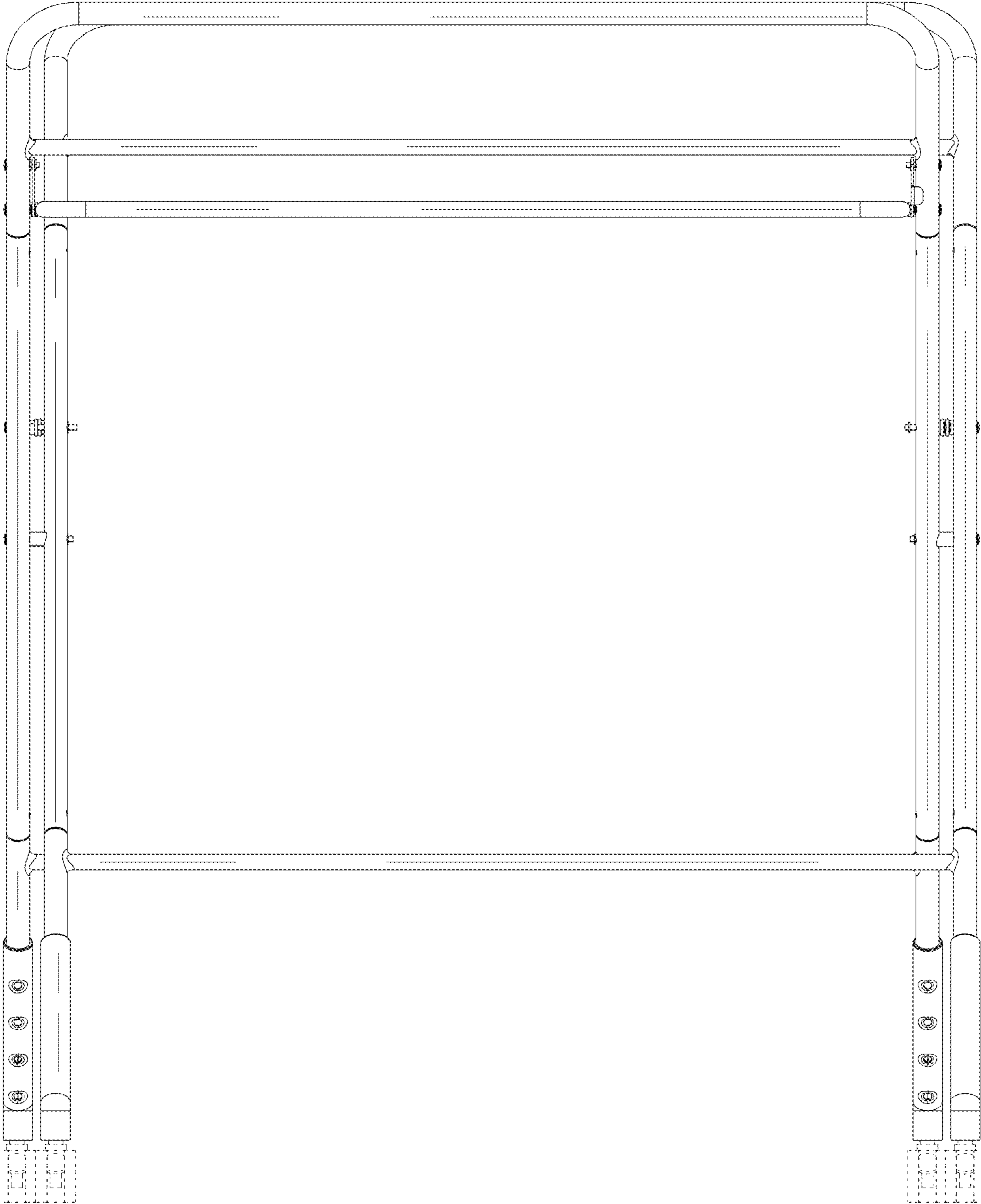


FIG. 3

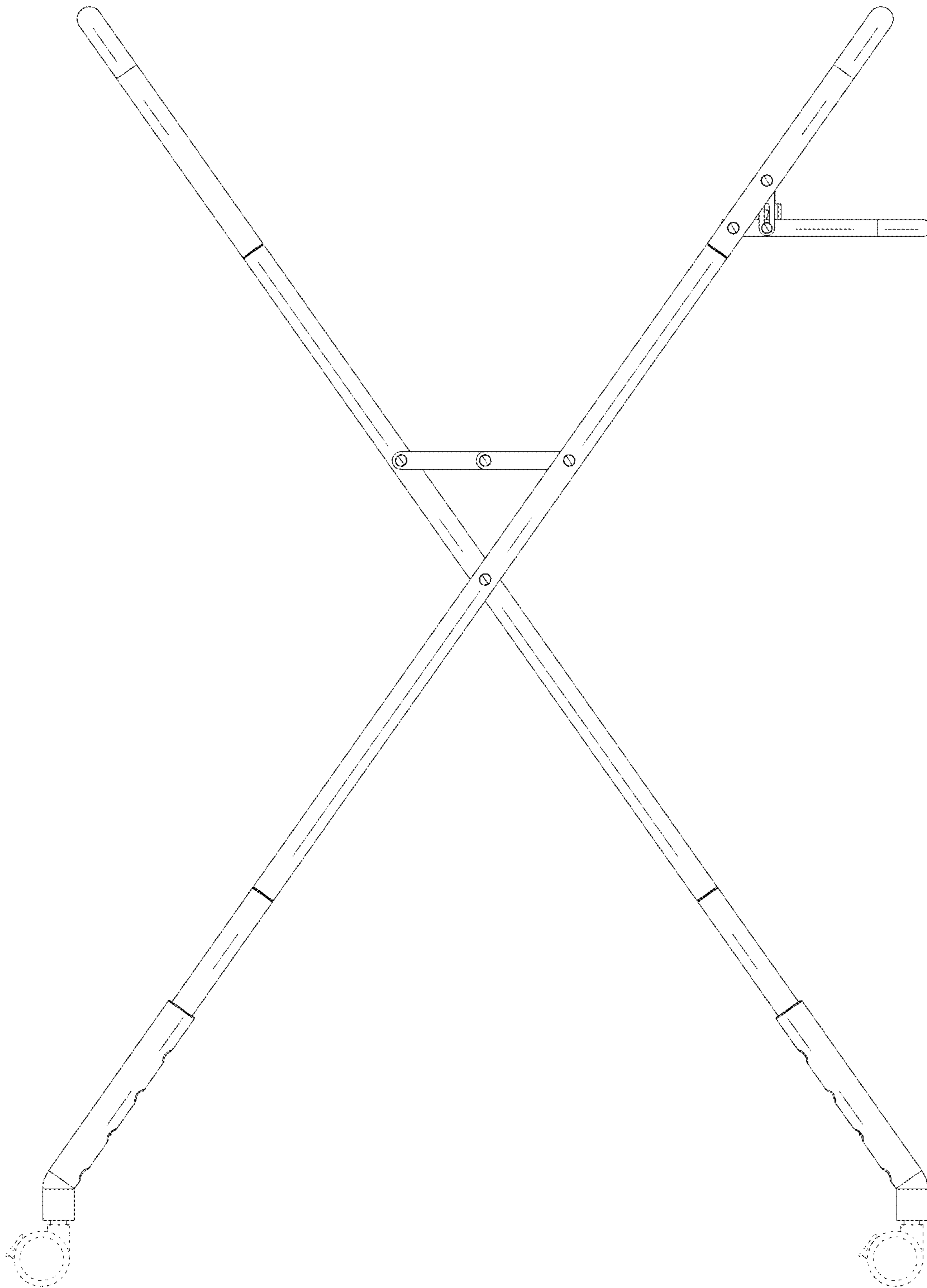


FIG. 4

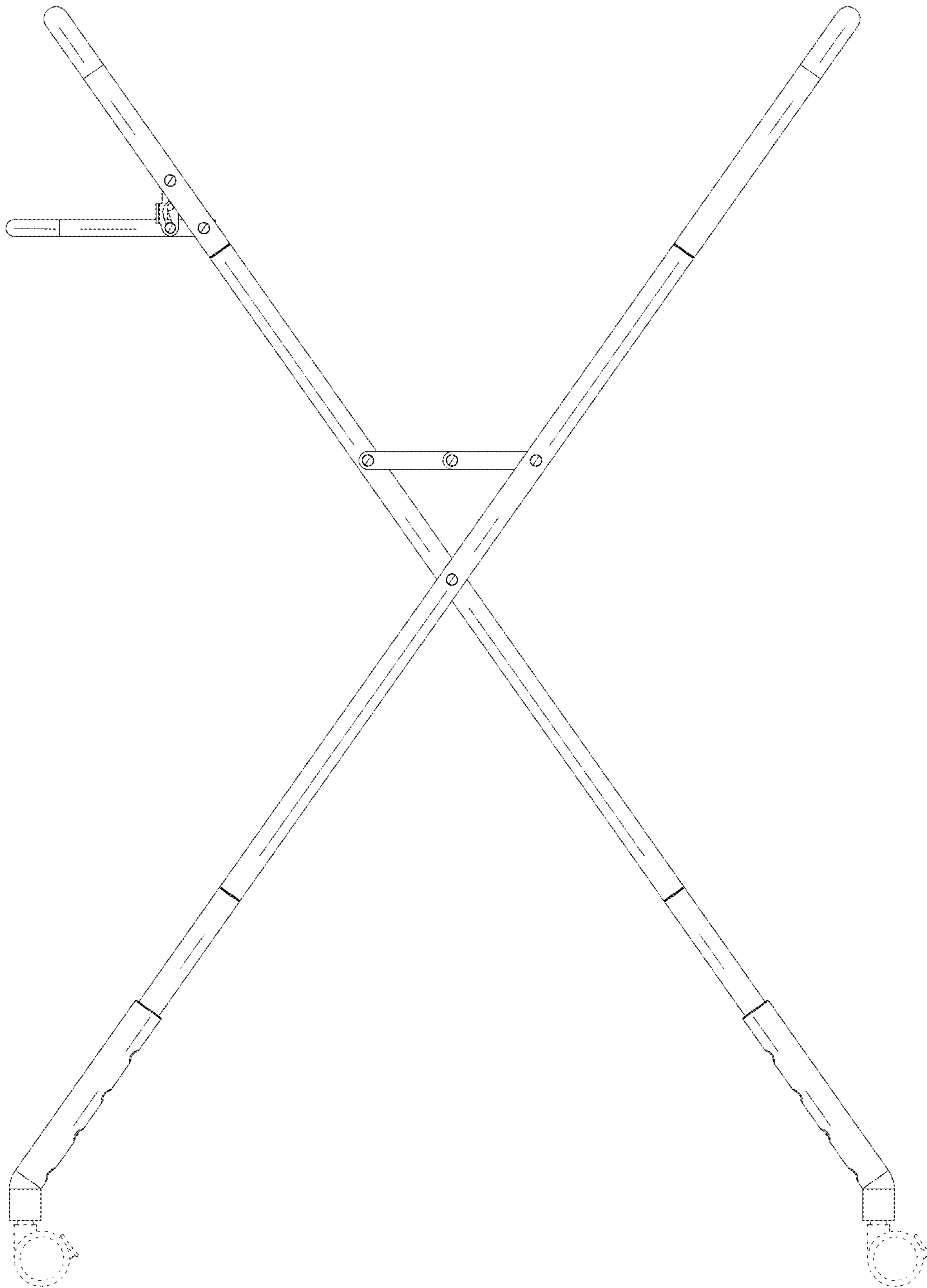


FIG. 5

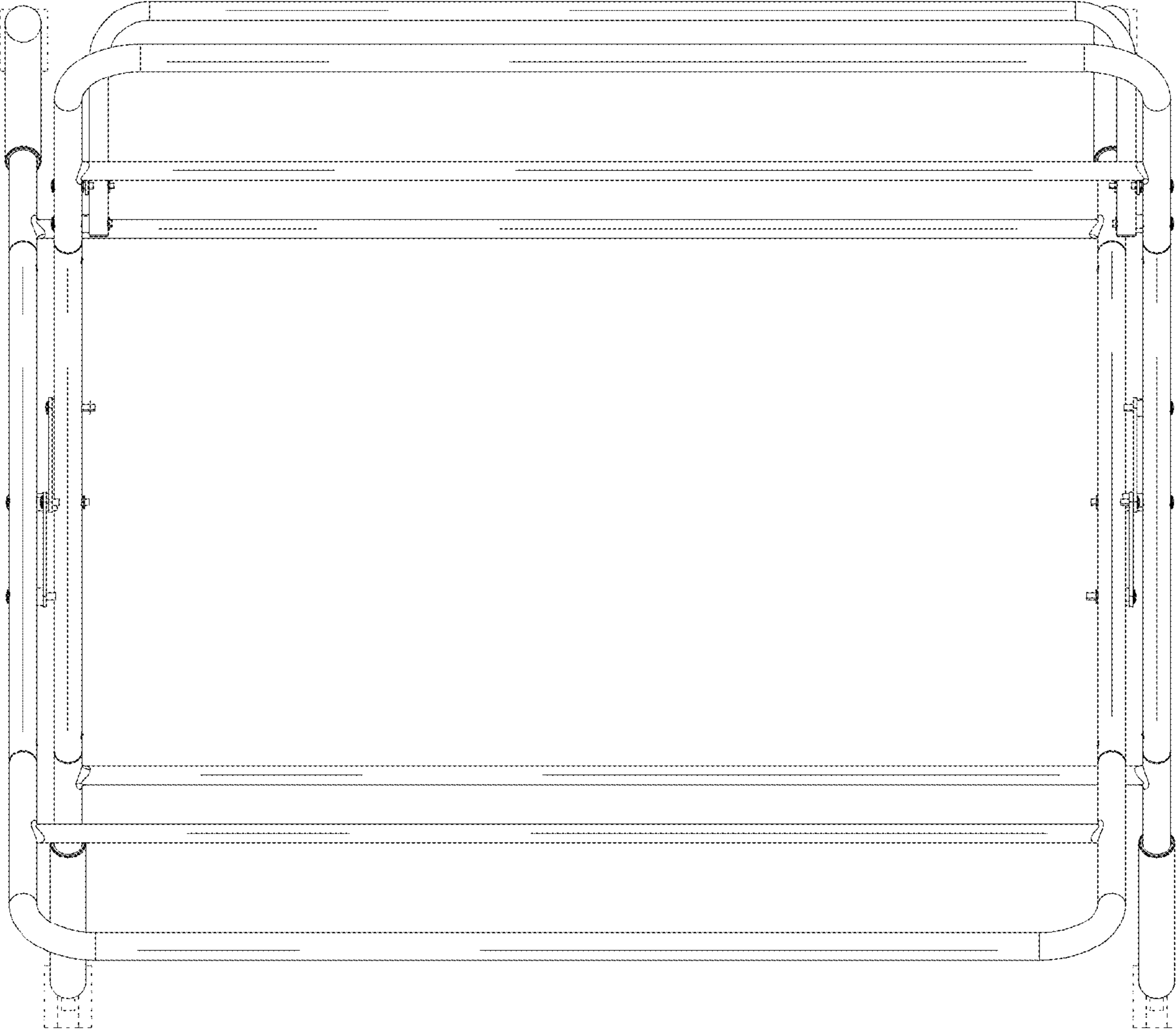


FIG. 6

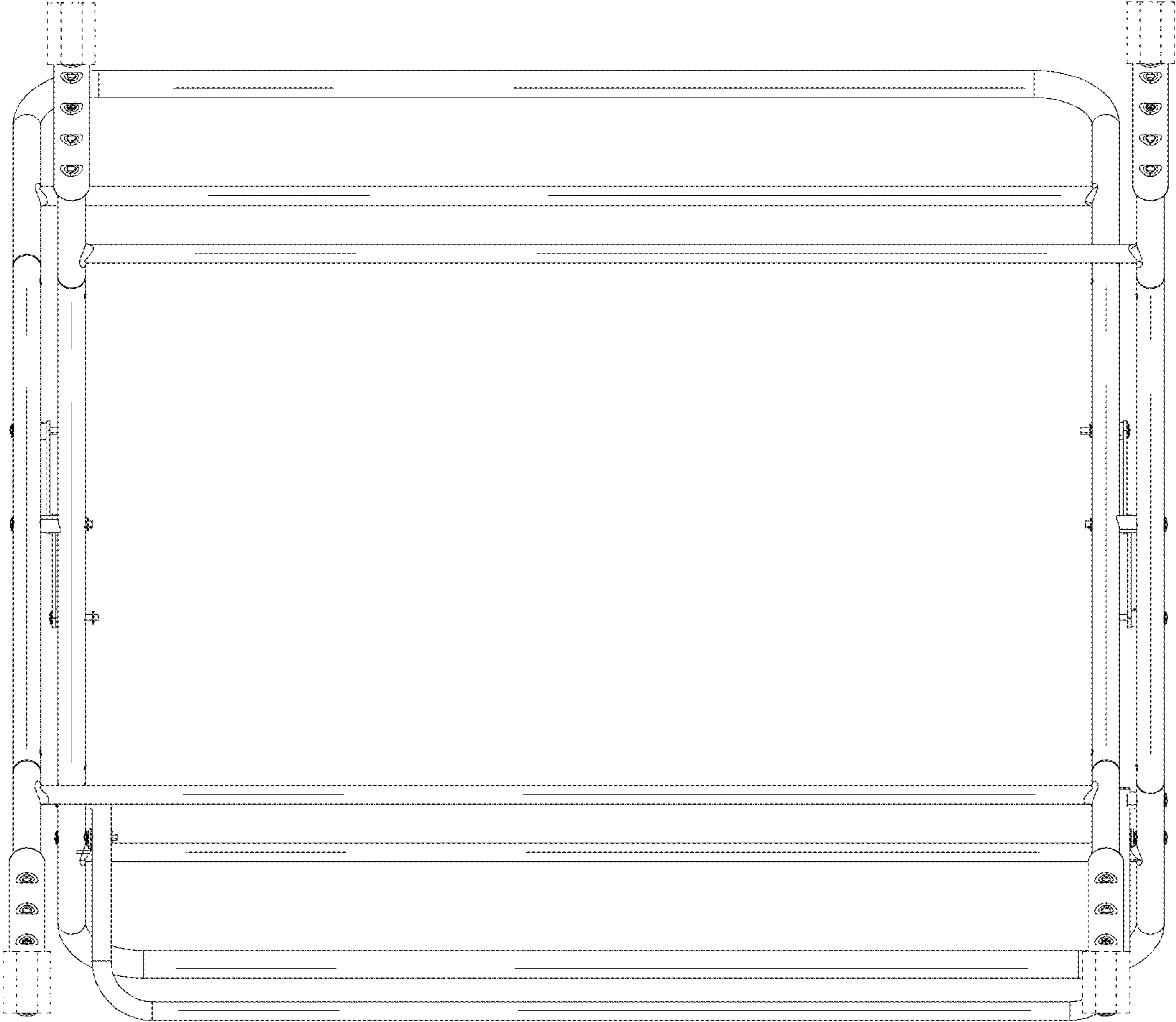


FIG. 7

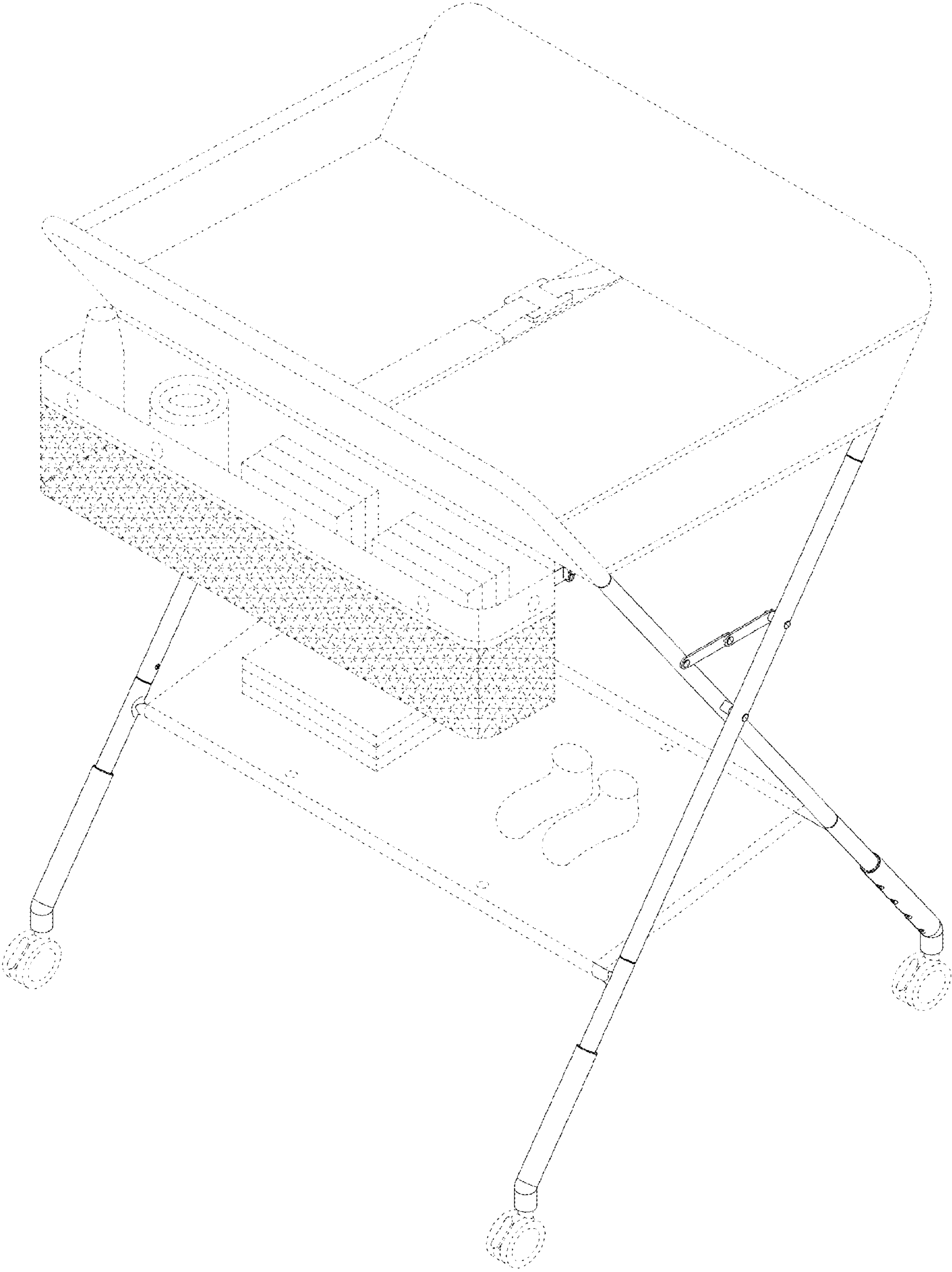


FIG. 8