



US00D923350S

(12) **United States Design Patent**
Chen

(10) **Patent No.:** **US D923,350 S**
(45) **Date of Patent:** **** Jun. 29, 2021**

(54) **CHAIR**

(71) Applicant: **NINGBO YUANJING ELECTRONIC TECHNOLOGY CO., LTD**, Ningbo (CN)

(72) Inventor: **Weize Chen**, Fenghua (CN)

(73) Assignee: **NINGBO YUANJING ELECTRONIC TECHNOLOGY CO., LTD**, Ningbo (CN)

(**) Term: **15 Years**

(21) Appl. No.: **29/775,296**

(22) Filed: **Mar. 23, 2021**

(51) **LOC (13) Cl.** **06-01**

(52) **U.S. Cl.**
USPC **D6/366**

(58) **Field of Classification Search**
USPC D6/334-336, 356, 364, 365, 366, 367, D6/374, 375, 379, 380, 716, 716.1, 716.2, D6/716.4

CPC A47C 4/028; A47C 7/004; A47C 7/006; A47C 7/18; A47C 7/24; A47C 7/38; A47C 7/40; B60N 2/02; B60N 2/20; B60N 2/22; B60N 2/58

See application file for complete search history.

(56) **References Cited**

U.S. PATENT DOCUMENTS

D706,048 S * 6/2014 Wang D6/366
D851,435 S * 6/2019 Shen D6/716

D869,214 S 12/2019 Chen
D879,493 S * 3/2020 Peng D6/366
D885,779 S * 6/2020 Li D6/366
D897,709 S * 10/2020 Li D6/366
D905,993 S 12/2020 Wu
D915,093 S * 4/2021 Shen D6/366

OTHER PUBLICATIONS

OHAHO Ergonomic Computer Gaming Chair with Footrest Lumbar Massage Support, from ebay.com, Retrieved Date: May 19, 2021, p. 1, from <https://www.ebay.com/itm/333234307051?chn=ps&mkevt=1&mkcid=28&var=542744397655> (Year: 2021).*

* cited by examiner

Primary Examiner — Mimososa De

(57) **CLAIM**

The ornamental design for a chair, as shown and described.

DESCRIPTION

FIG. 1 is a perspective view of a chair showing my new design;
FIG. 2 is another perspective view thereof;
FIG. 3 is a front elevational view thereof;
FIG. 4 is a rear elevational view thereof;
FIG. 5 is a left side elevational view thereof;
FIG. 6 is a right side elevational view thereof;
FIG. 7 is a top plan view thereof;
FIG. 8 is a bottom plan view thereof; and,
FIG. 9 is an enlarged view of portion 9 shown in FIG. 2.
The broken lines in the drawings depict portions of the chair that form no part of the claimed design.

1 Claim, 8 Drawing Sheets

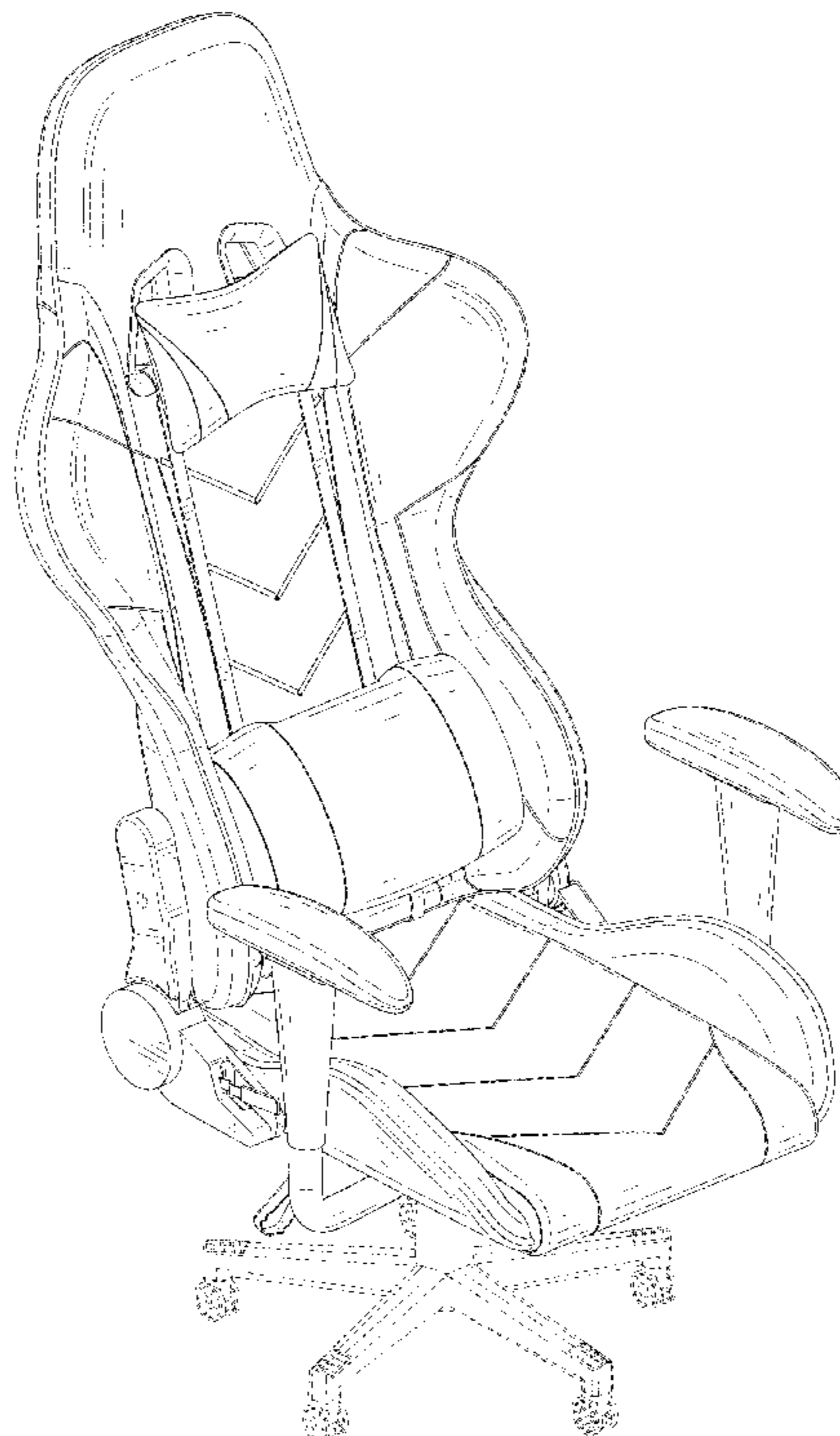




FIG. 1

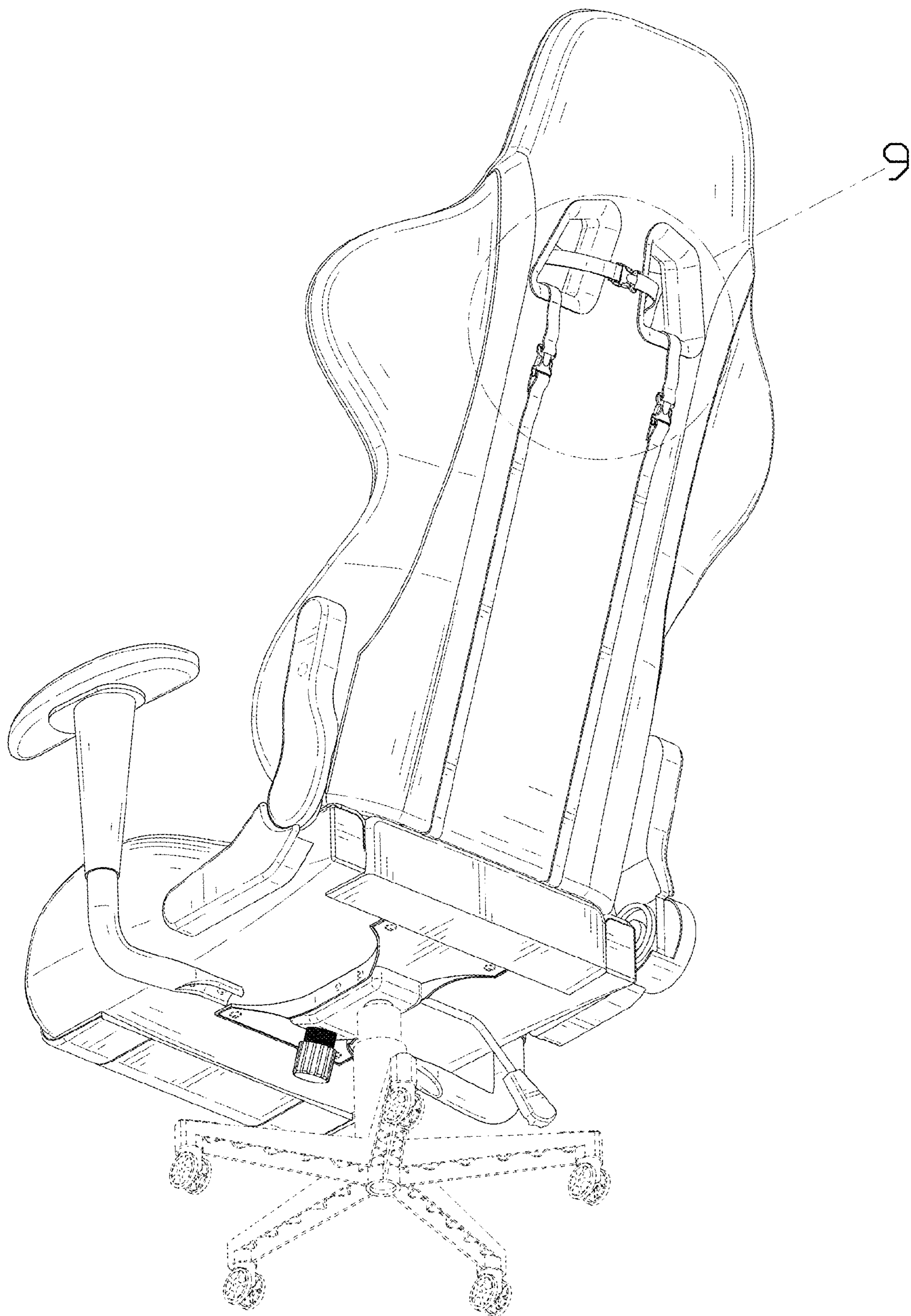


FIG. 2

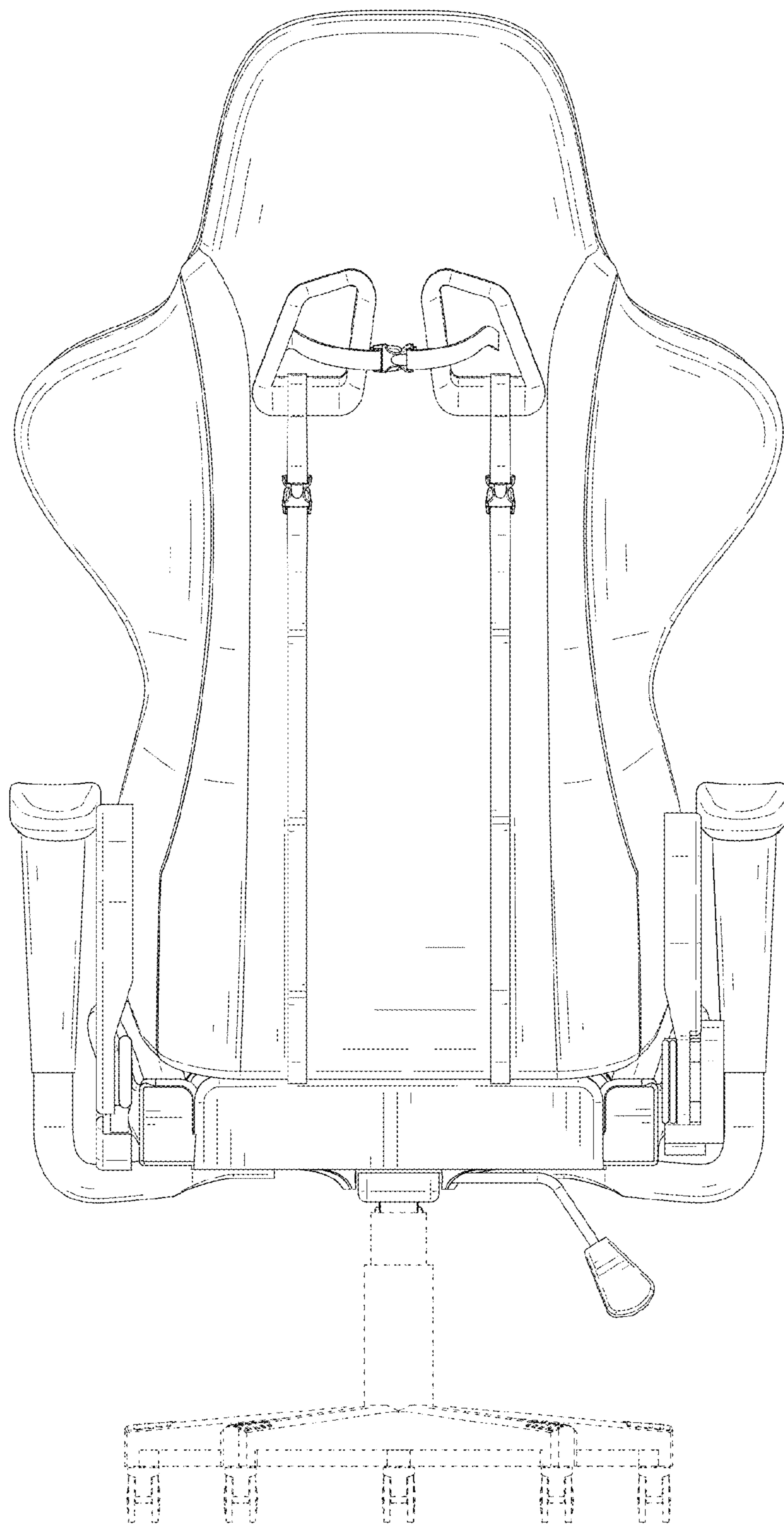


FIG. 4



FIG. 5

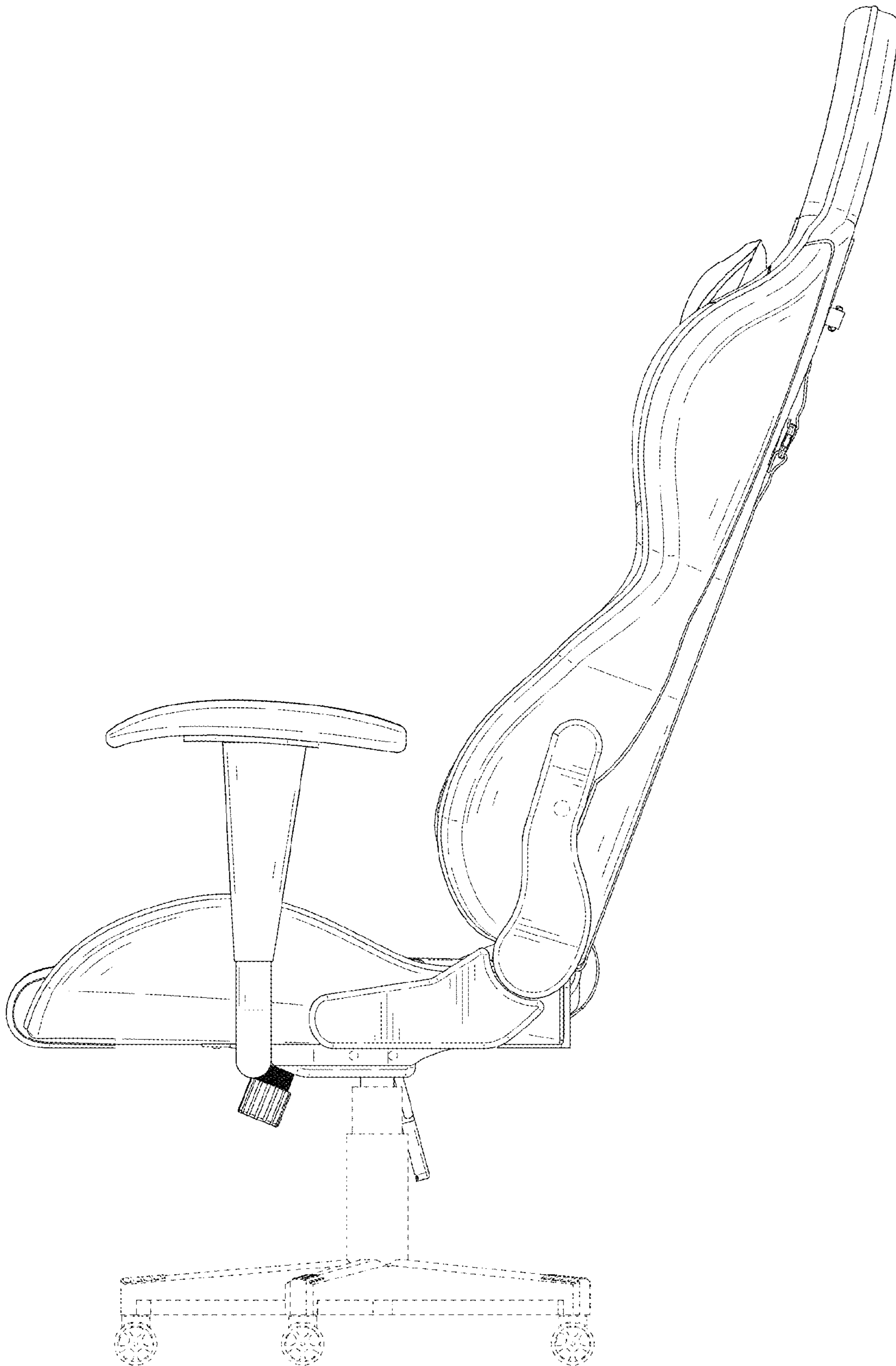


FIG. 6

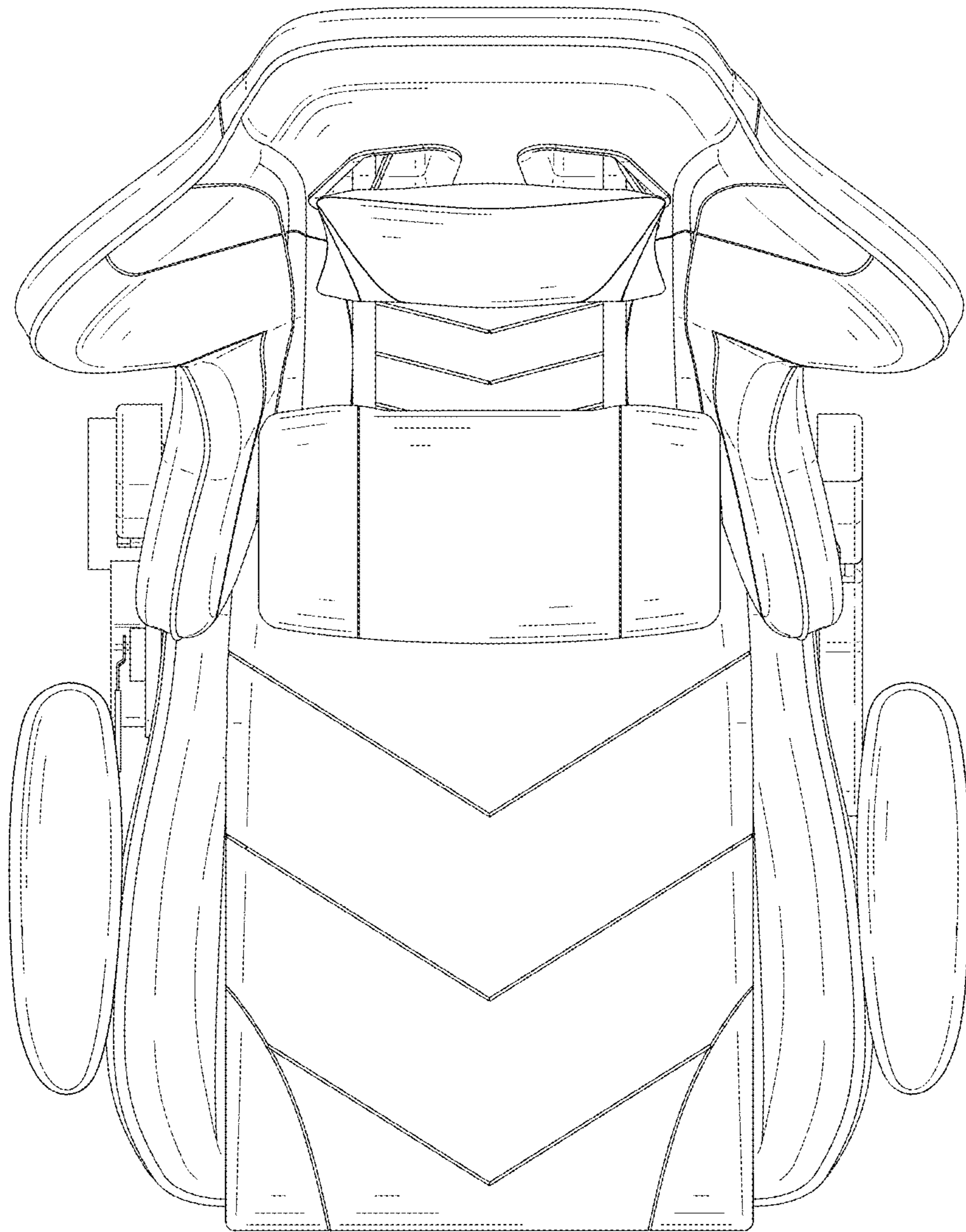


FIG. 7

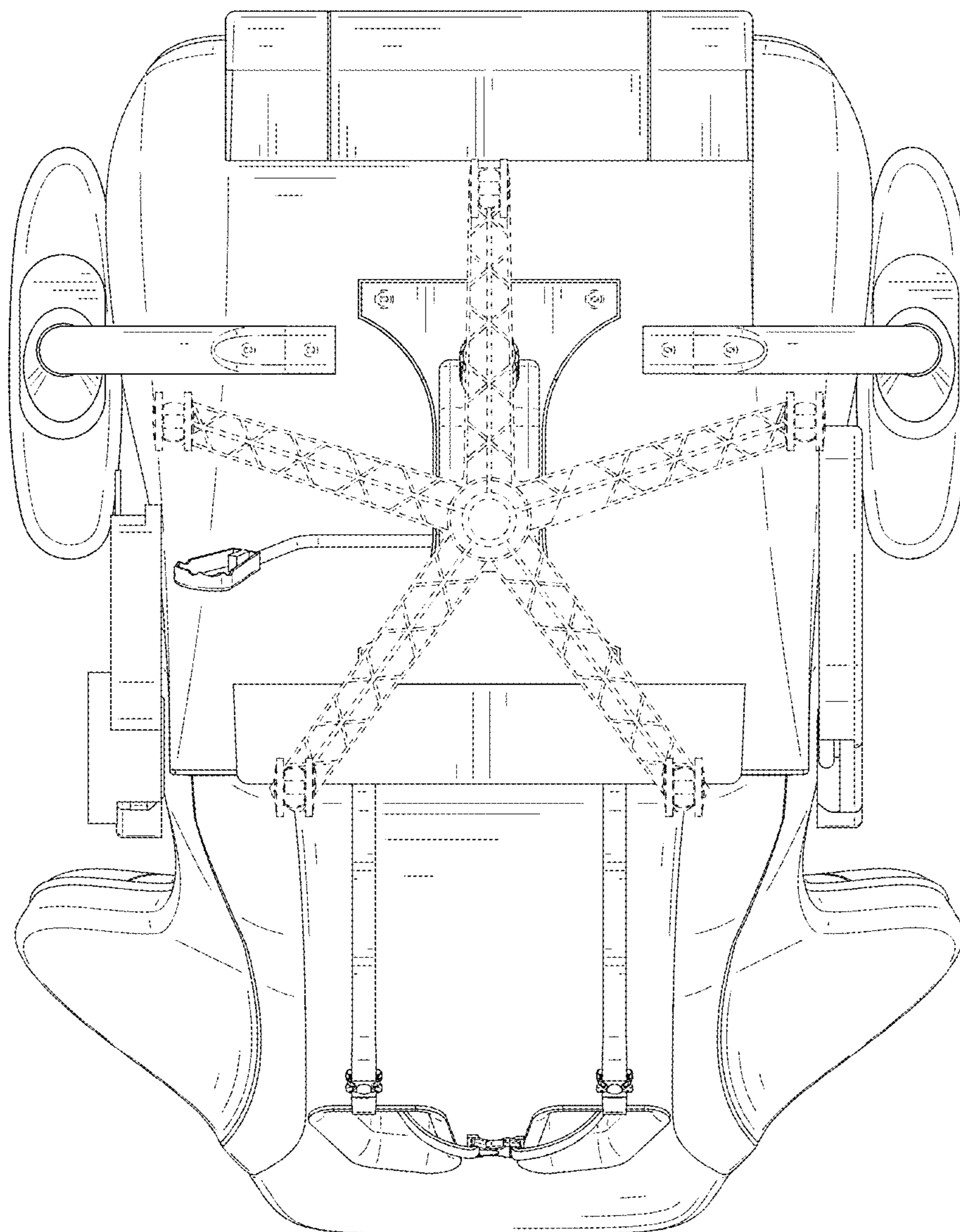


FIG. 8

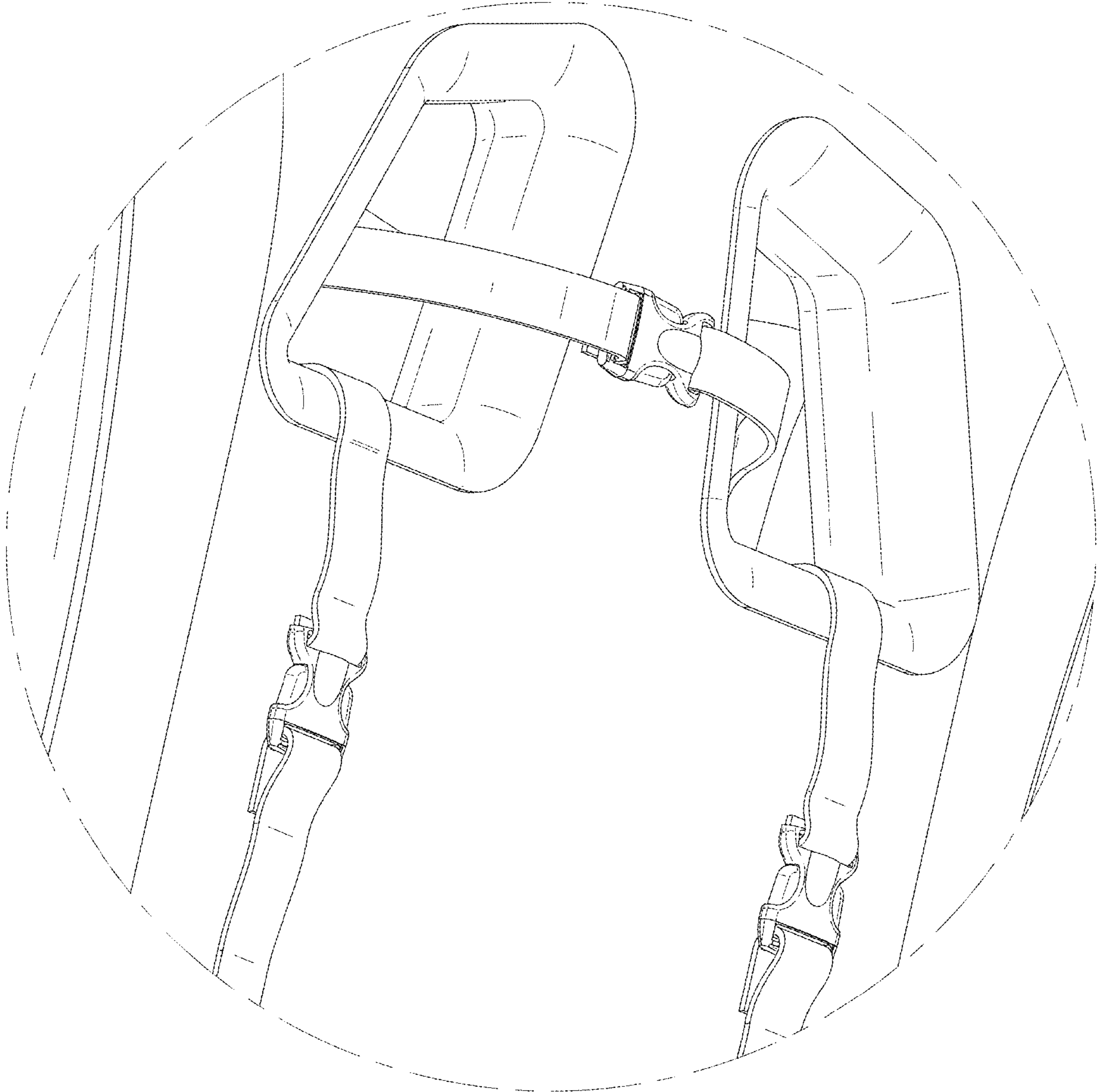


FIG. 9