



US00D923349S

(12) **United States Design Patent** (10) **Patent No.:** **US D923,349 S**  
**Young** (45) **Date of Patent:** **\*\* Jun. 29, 2021**

(54) **CHAIR**

22/914; B60N 22/995; F16B 2/08; F16B 45/00; Y10S 297/01; A47D 13/10

(71) Applicant: **DUOBACK CO., LTD.**, Incheon (KR)

See application file for complete search history.

(72) Inventor: **Jung Kwan Young**, Seoul (KR)

(56) **References Cited**

(73) Assignee: **Duoback Co., LTD**, Incheon (KR)

U.S. PATENT DOCUMENTS

(\*\*) Term: **15 Years**

D543,717 S \* 6/2007 Chen ..... D6/366  
D554,877 S \* 11/2007 Tsai ..... D6/366

(21) Appl. No.: **29/696,199**

(Continued)

(22) Filed: **Jun. 26, 2019**

OTHER PUBLICATIONS

(51) **LOC (13) Cl.** ..... **06-01**

“D2A” Aug. 31, 2018, neuheiten.koelnmesse.net, site visited May 1, 2020 <[http://neuheiten.koelnmesse.net/271/2018/US/products/view/product\\_id:37088](http://neuheiten.koelnmesse.net/271/2018/US/products/view/product_id:37088)> (Year: 2018).\*

(52) **U.S. Cl.**

USPC ..... **D6/366**

(58) **Field of Classification Search**

USPC ..... D6/356, 364, 365, 366, 367, 379, 716, D6/716.4, 716.7; D21/521, 695

CPC ..... A47C 1/03294; A47C 1/034; A47C 1/032; A47C 1/031; A47C 1/023; A47C 3/029;

A47C 3/027; A47C 3/04; A47C 3/02;

A47C 3/12; A47C 4/03; A47C 4/04;

A47C 5/12; A47C 7/029; A47C 7/02;

A47C 7/18; A47C 7/28; A47C 7/32;

A47C 7/38; A47C 7/40; A47C 7/44;

A47C 7/46; A47C 7/54; A47C 7/425;

A47C 7/445; A47C 31/023; A47C 31/04;

B60R 2/0284; B60R 2/062; B60R 22/001;

B60R 22/24; B60R 22/28; B60R 22/58;

B60R 22/64; B60R 22/68; B60R 22/80;

B60R 22/99; B60R 22/245; B60R 22/643;

B60R 22/646; B60R 22/665; B60R

22/686; B60R 22/688; B60R 22/803;

B60R 22/986; B60R 22/914; B60R

22/995; B60N 2/0284; B60N 2/062;

B60N 22/001; B60N 22/24; B60N 22/28;

B60N 22/58; B60N 22/64; B60N 22/68;

B60N 22/80; B60N 22/99; B60N 22/245;

B60N 22/643; B60N 22/646; B60N

22/665; B60N 22/686; B60N 22/688;

B60N 22/803; B60N 22/986; B60N

(57) **CLAIM**

The ornamental design for a “chair”, as shown and described.

**DESCRIPTION**

FIG. 1 is perspective view of the chair according to the present invention;

FIG. 2 is front elevational view of the chair shown in FIG. 1;

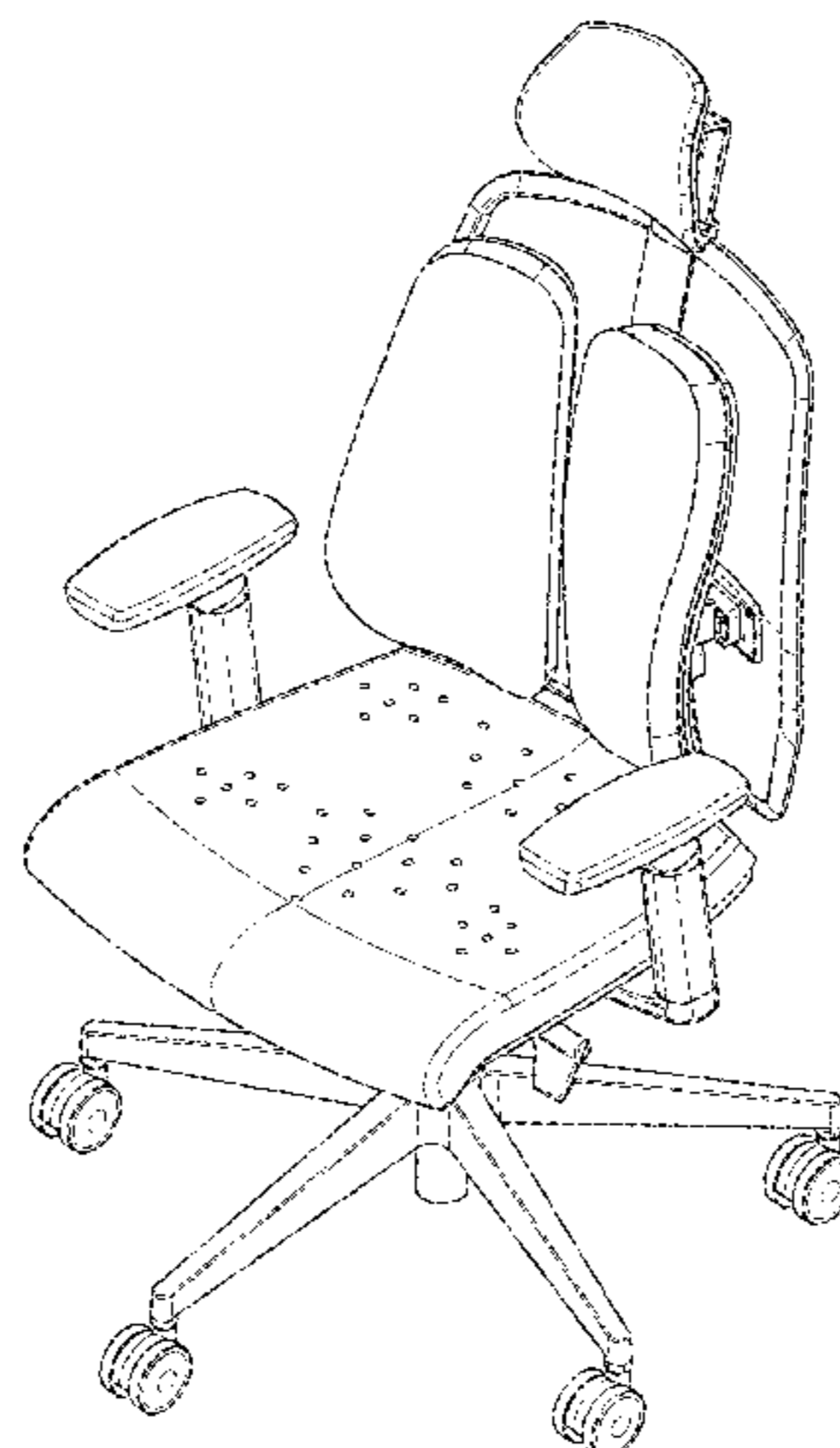
FIG. 3 is back elevational view of the chair shown in FIG. 1;

FIG. 4 is left side elevational view of the chair shown in FIG. 1;

FIG. 5 is right side elevational view of the chair shown in FIG. 1;

FIG. 6 is top plan view of the chair shown in FIG. 1; and, FIG. 7 is bottom plan view of the chair shown in FIG. 1.

(Continued)



The broken lines shown in the drawings are included for the purpose of illustrating portions of the article and form no part of the claimed design.

**1 Claim, 7 Drawing Sheets**

(56) **References Cited**

U.S. PATENT DOCUMENTS

D571,569 S *	6/2008	Fancelli .....	D6/366
D655,524 S *	3/2012	Kim .....	D6/366
D677,917 S *	3/2013	Mao .....	D6/366
D792,717 S *	7/2017	Webb .....	D6/366
D799,842 S *	10/2017	Lee .....	D6/366
D852,526 S *	7/2019	Peterson .....	D6/366
D863,802 S *	10/2019	Wang .....	D6/366
D874,842 S *	2/2020	Wang .....	D6/366
2004/0245841 A1 *	12/2004	Peterson .....	A47C 7/029 297/452.63
2007/0246988 A1 *	10/2007	Hung .....	A47C 1/023 297/353
2007/0257542 A1 *	11/2007	Marshall .....	A47C 7/18 297/452.57
2008/0067848 A1 *	3/2008	Brauning .....	A47C 1/03266 297/323
2015/0108809 A1 *	4/2015	Romero .....	A47C 7/425 297/342

\* cited by examiner

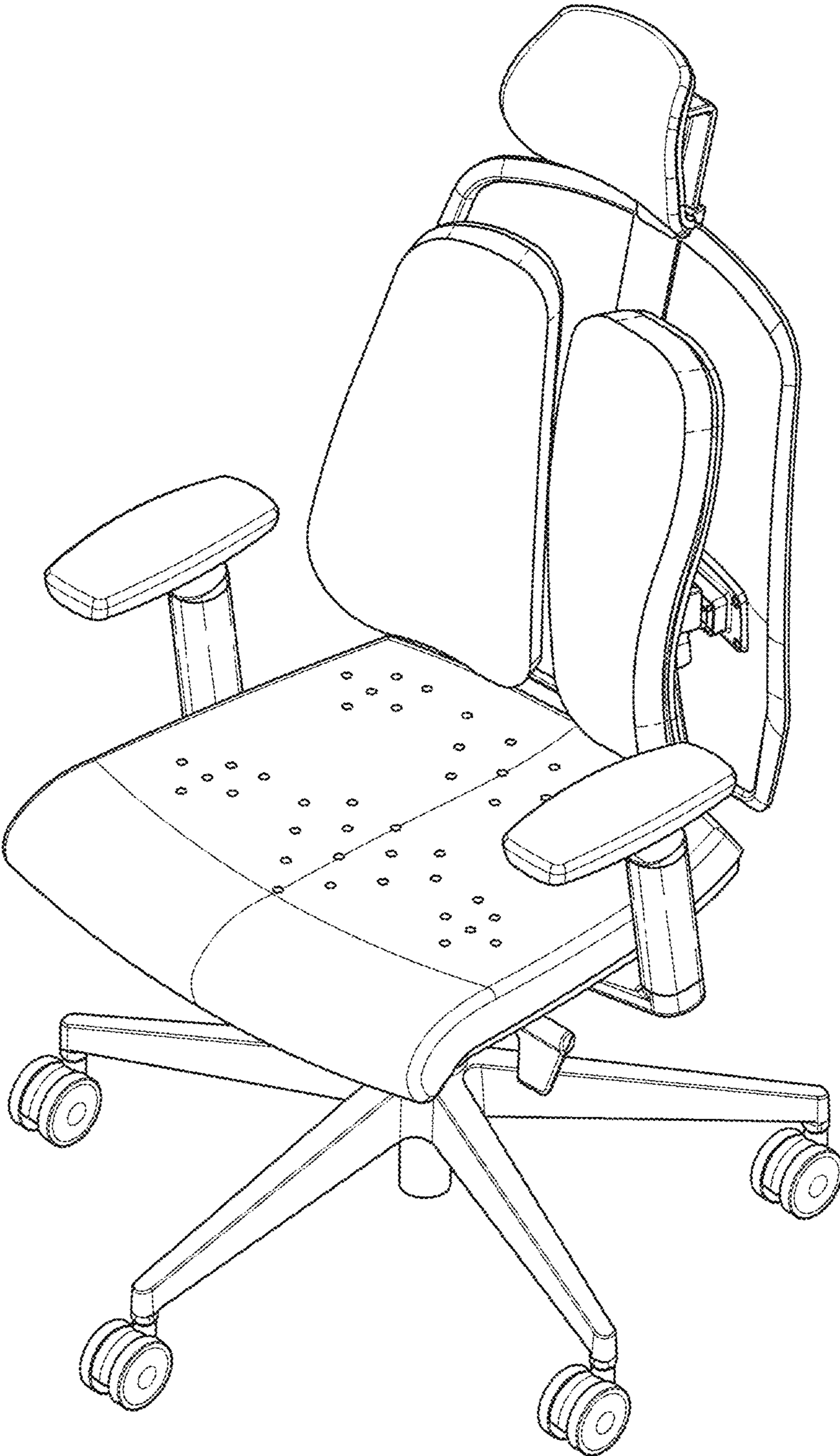


FIG. 1

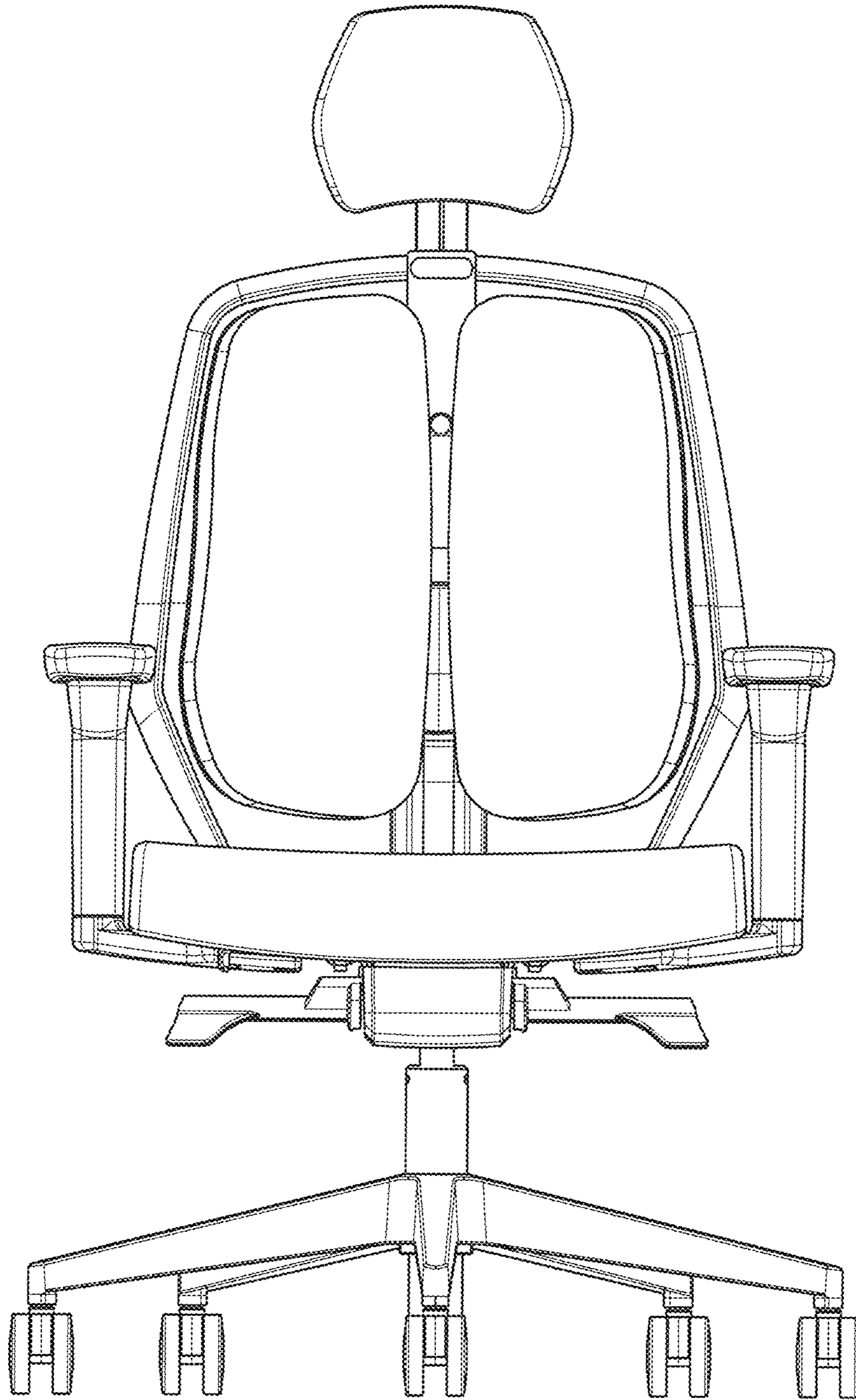


FIG. 2

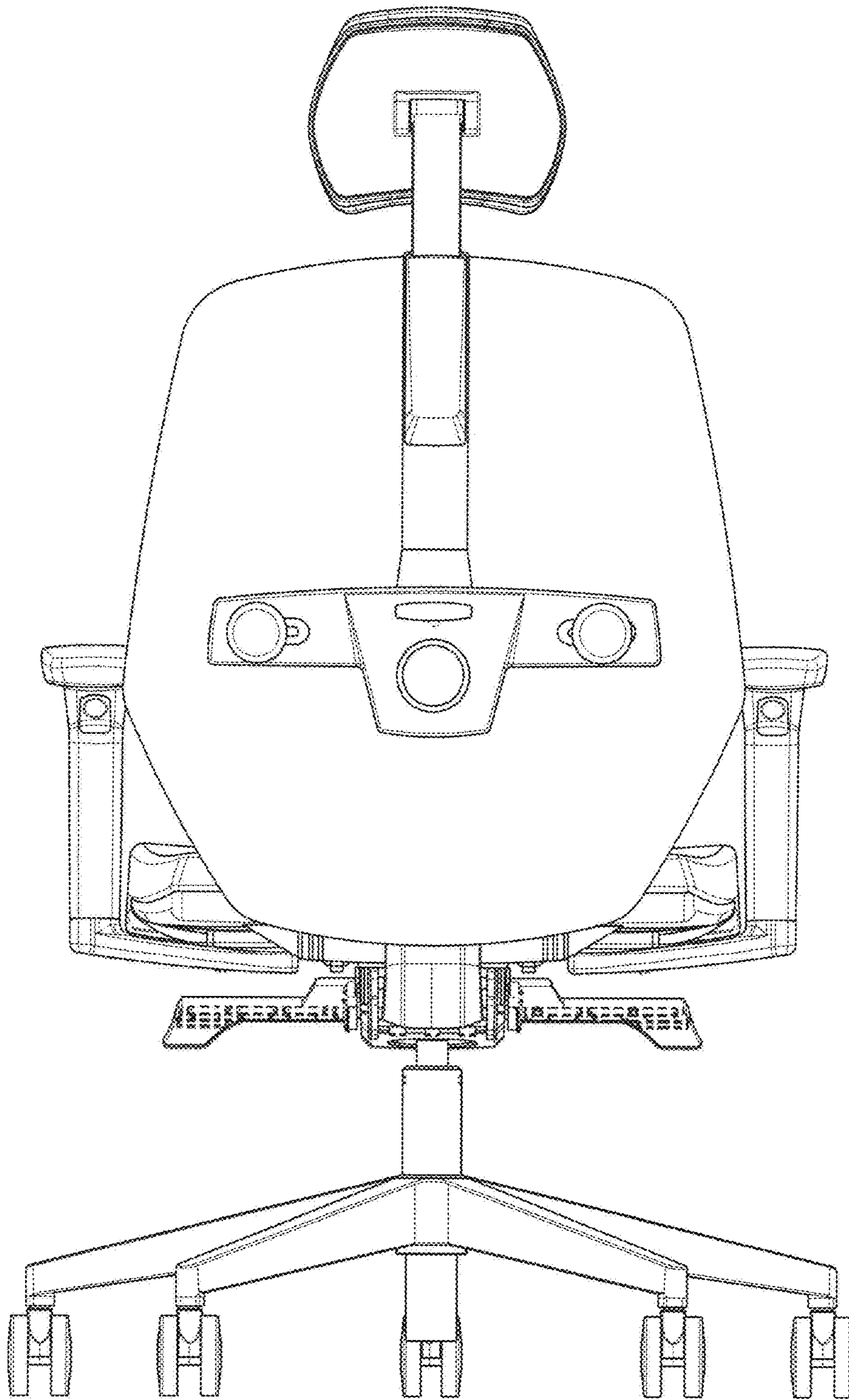


FIG. 3

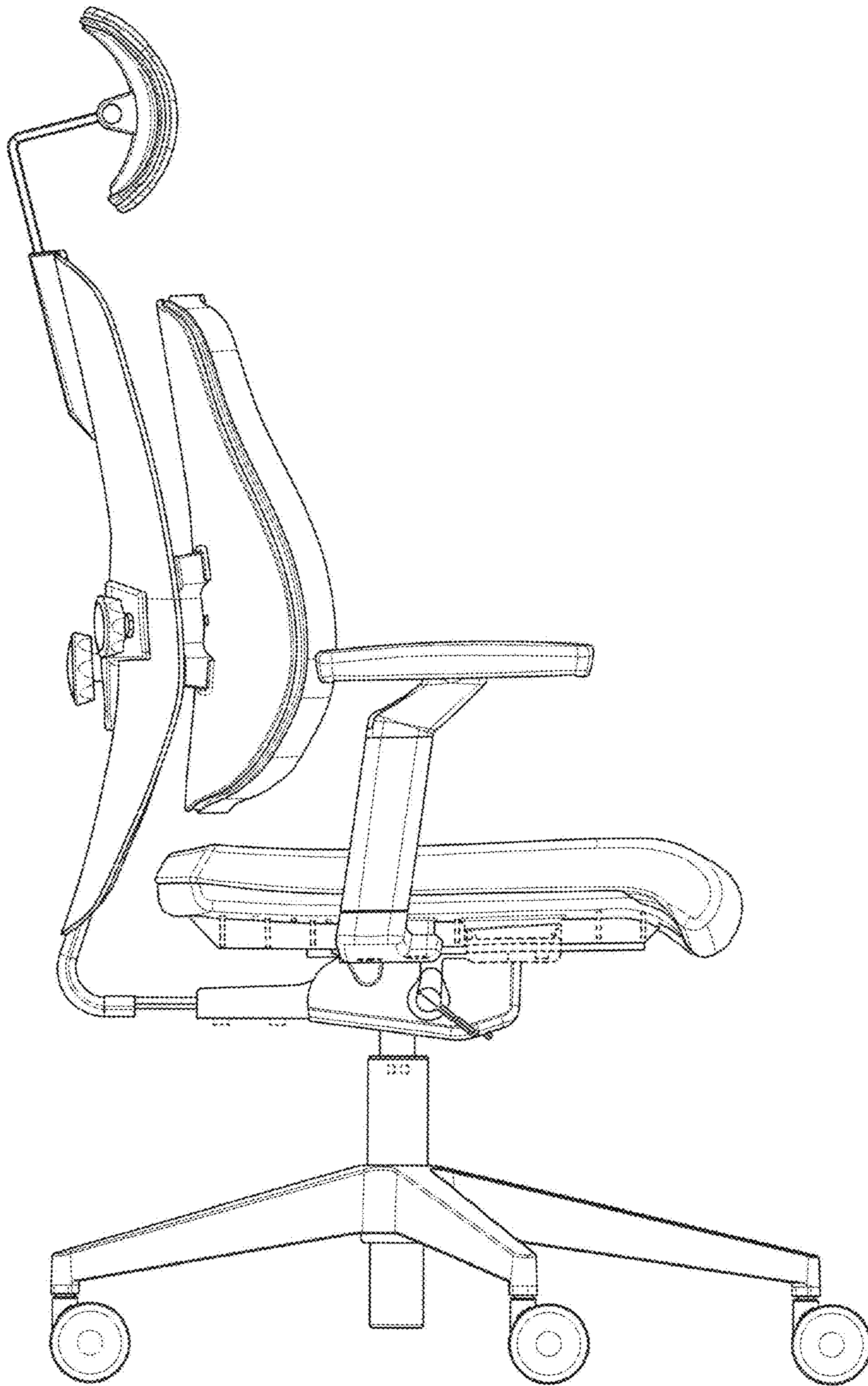


FIG. 4

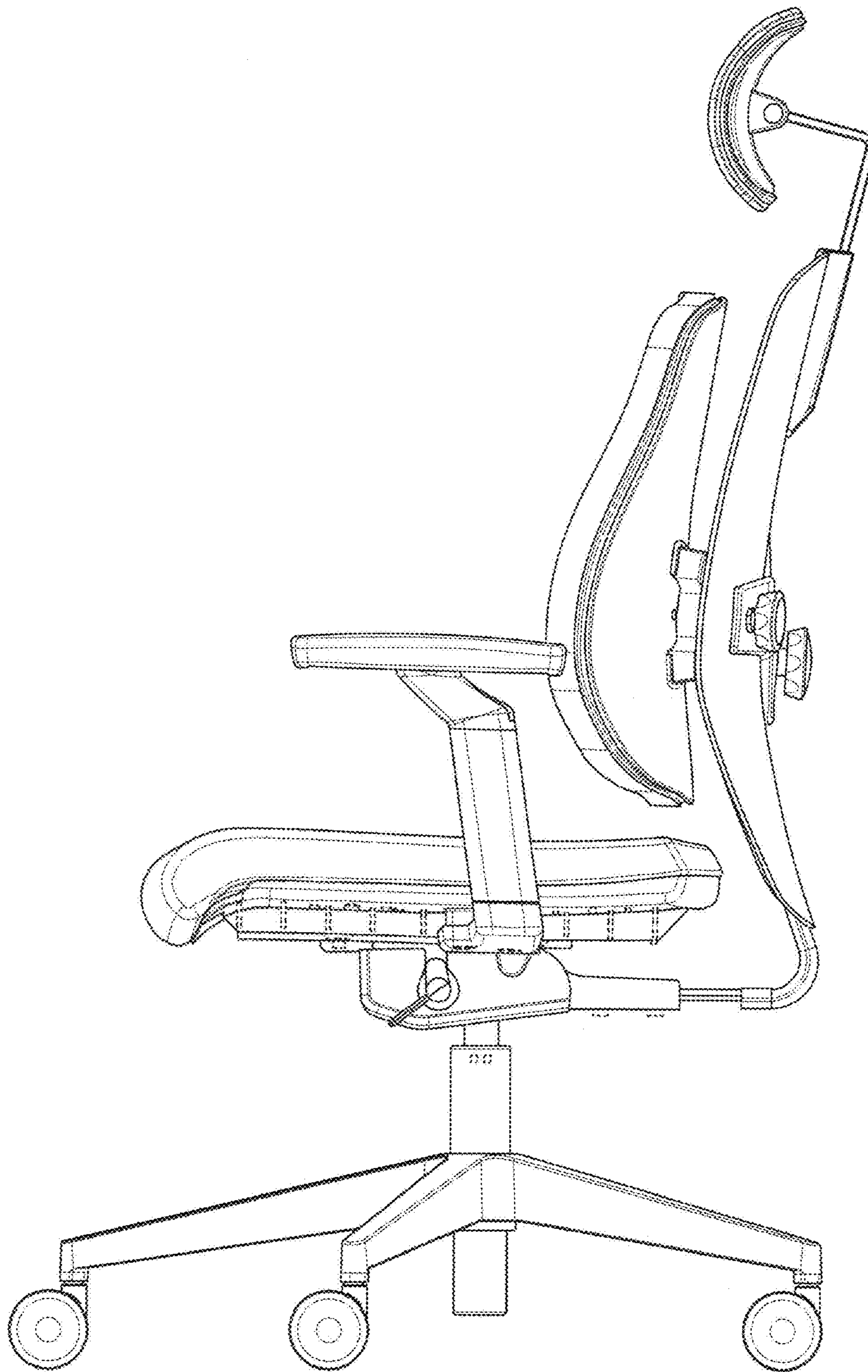


FIG. 5

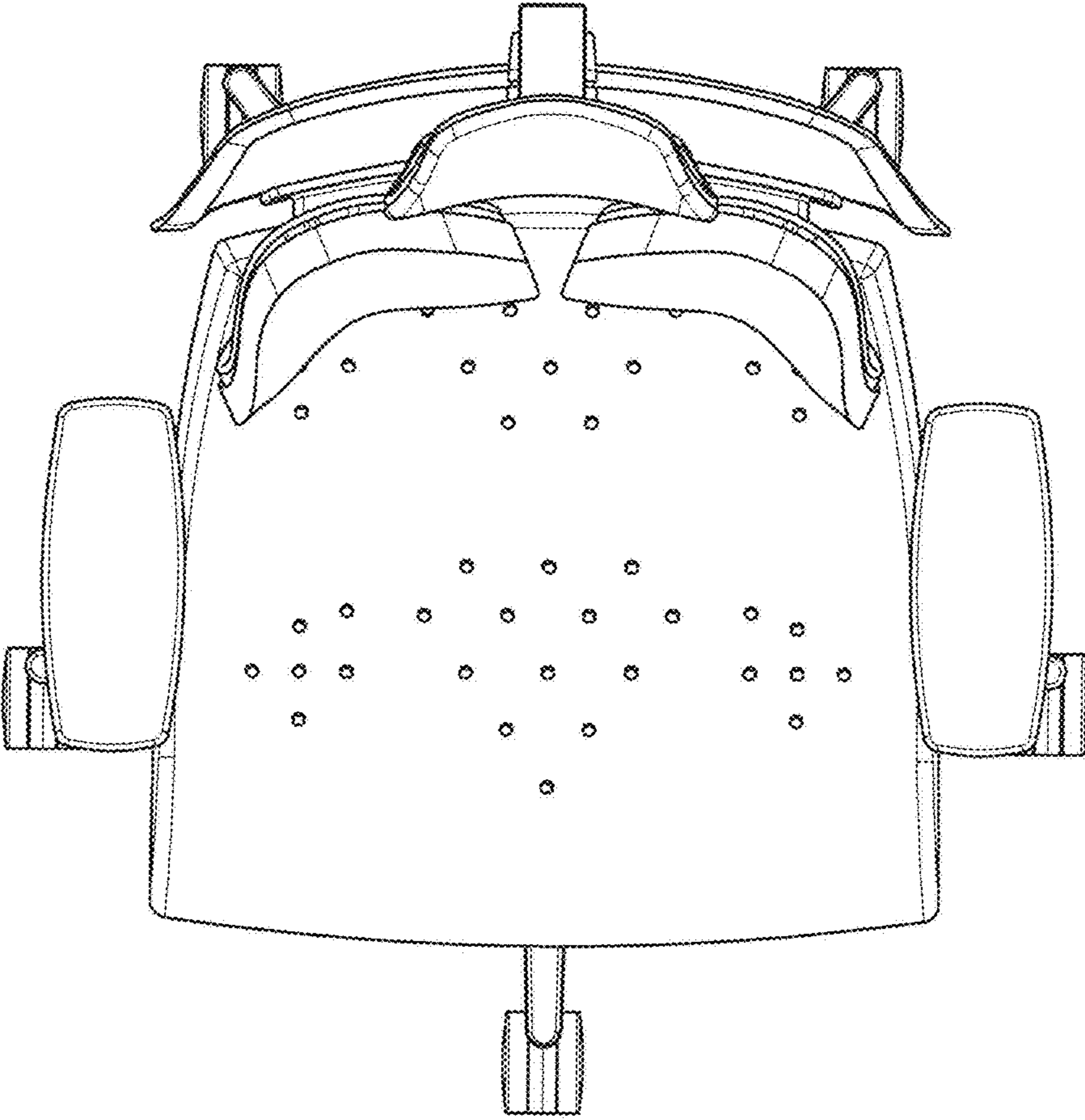


FIG. 6



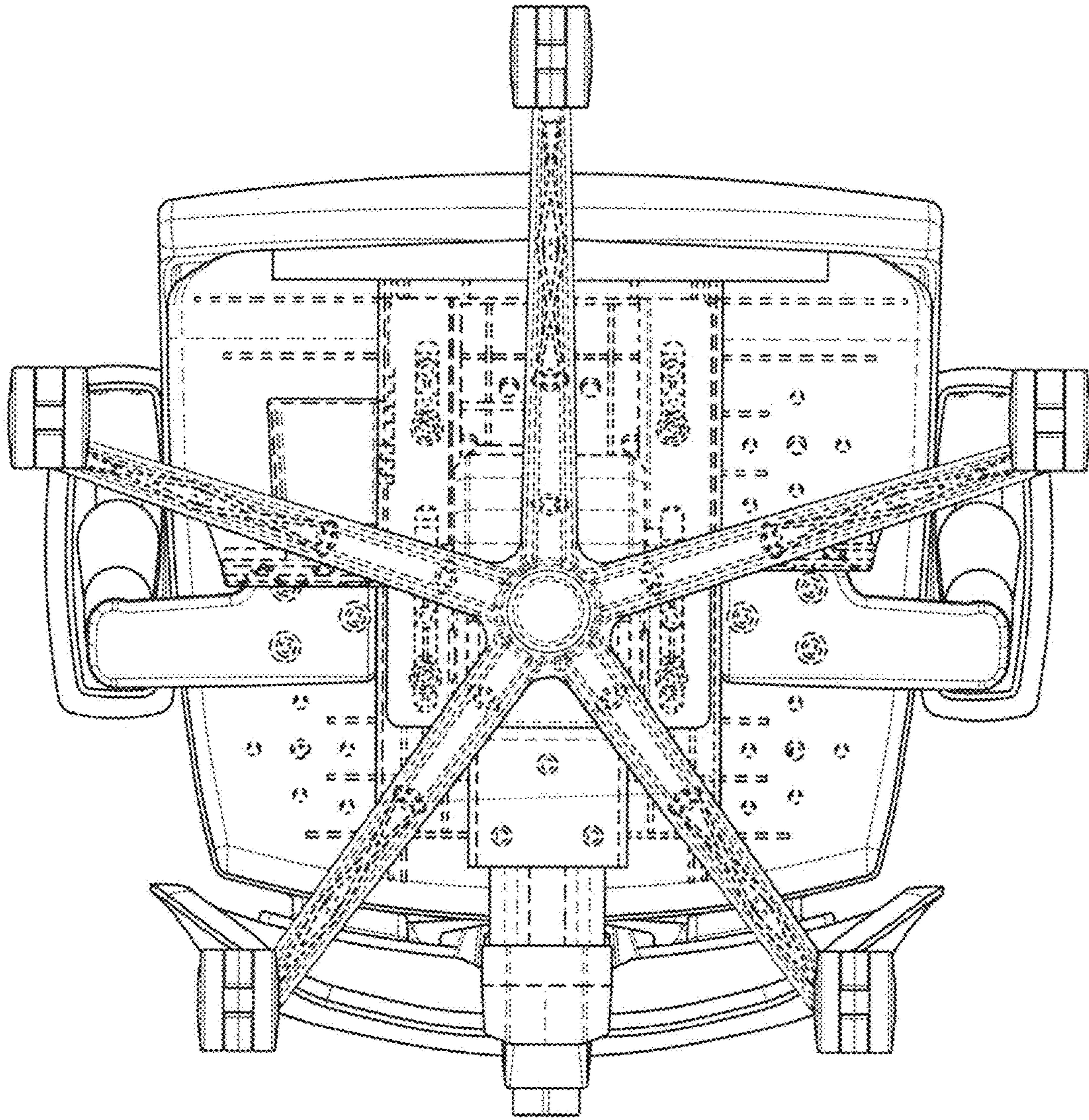


FIG. 7