



US00D923346S

(12) **United States Design Patent**  
**Kambara**

(10) **Patent No.:** **US D923,346 S**  
(45) **Date of Patent:** **\*\* Jun. 29, 2021**

(54) **STEAMING STOOL**

(71) Applicant: **Akiko Kambara**, Gifu (JP)

(72) Inventor: **Akiko Kambara**, Gifu (JP)

(\*\*) Term: **15 Years**

(21) Appl. No.: **29/714,850**

(22) Filed: **Nov. 26, 2019**

(51) **LOC (13) Cl.** ..... **06-01**

(52) **U.S. Cl.**  
USPC ..... **D6/349**

(58) **Field of Classification Search**  
USPC ..... D6/334-338, 340-343, 349-353, 355,  
D6/364-365, 691-691.9, 692-692.6,  
D6/716-716.1; D25/65

(Continued)

(56) **References Cited**

U.S. PATENT DOCUMENTS

74,705 A \* 2/1868 Macferrano ..... A47L 23/16  
15/265  
D219,443 S \* 12/1970 Hubel ..... D6/335  
(Continued)

OTHER PUBLICATIONS

Yoni Steam Stool. [online] Retrieved Mar. 10, 2021 from URL:  
<https://www.etsy.com/listing/640623161/yonis-steam-stool>.\*

*Primary Examiner* — Vy N Koenig

(74) *Attorney, Agent, or Firm* — Westerman, Hattori,  
Daniels & Adrian, LLP

(57) **CLAIM**

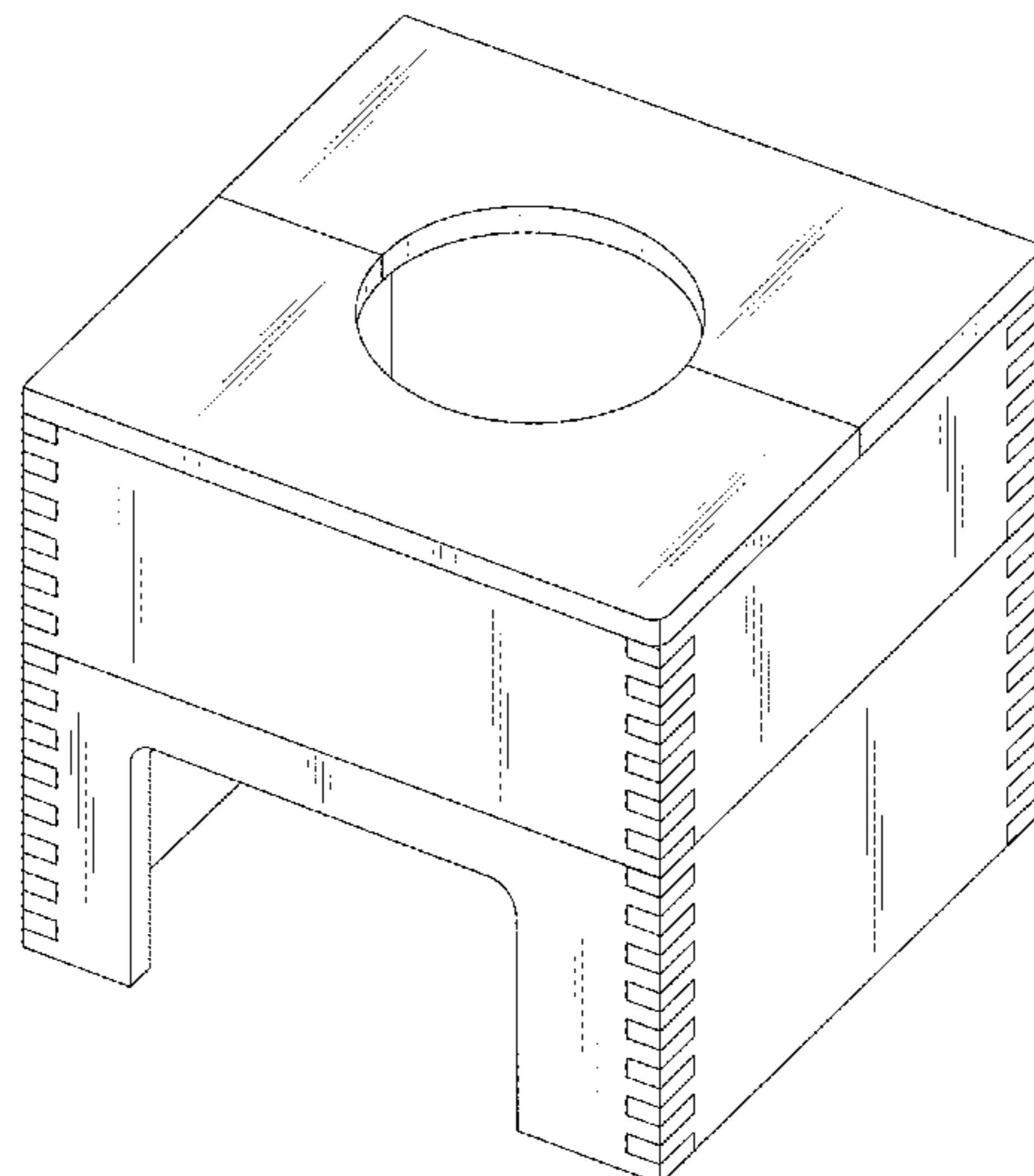
The ornamental design for a steaming stool, as shown and described.

**DESCRIPTION**

FIG. 1 is a top front perspective view of a steaming stool, showing my new design;

FIG. 2 is a front elevational view thereof;  
FIG. 3 is a rear elevational view thereof;  
FIG. 4 is a right side elevational view thereof; the left side elevational view being identical thereto;  
FIG. 5 is a top plan view thereof;  
FIG. 6 is a bottom plan view thereof;  
FIG. 7 is a cross-sectional view thereof, taken along line 7-7 of FIG. 5;  
FIG. 8 is an exploded perspective view thereof, showing the top, middle, and bottom sections thereof;  
FIG. 9 is a front elevational view of the top section thereof, shown separately to reveal aspects of the design that may not be apparent in other views, the rear elevational view being identical thereto;  
FIG. 10 is a right side elevational view of the top section thereof, the left side elevational view being identical thereto;  
FIG. 11 is a top plan view of the top section thereof;  
FIG. 12 is a bottom plan view of the top section thereof;  
FIG. 13 is an exploded view of the bottom plan view of the top section thereof;  
FIG. 14 is an exploded perspective view, showing the front and bottom of the top section thereof;  
FIG. 15 is a front elevational view of the middle section thereof, shown separately to reveal aspects of the design that may not be apparent in other views, the rear elevational view being identical thereto;  
FIG. 16 is a right side elevational view of the middle section thereof, the left side elevational view being identical thereto;  
FIG. 17 is a top plan view of the middle section thereof;  
FIG. 18 is a bottom plan view of the middle section thereof;  
FIG. 19 is a front elevational view of the bottom section thereof;  
FIG. 20 is a rear elevational view of the bottom section thereof;  
FIG. 21 is a front elevational view of the bottom section thereof, shown separately to reveal aspects of the design that may not be apparent in other views, the rear elevational view being identical thereto;  
FIG. 22 is a top plan view of the bottom section thereof; and,  
FIG. 23 is a bottom plan view of the bottom section thereof.

**1 Claim, 23 Drawing Sheets**



(58) **Field of Classification Search**

CPC ..... A47B 7/00-02; A47C 11/00; A47C 12/00;  
A47C 13/00; A47C 16/00; A47C  
16/02-04; A47C 9/00-105; A47K 17/02;  
A47K 17/028

See application file for complete search history.

(56) **References Cited**

U.S. PATENT DOCUMENTS

D274,676	S	*	7/1984	Massonnet	.....	D6/349
D360,534	S	*	7/1995	Gempton	.....	D6/334
D612,635	S	*	3/2010	Auberger	.....	D6/691
9,226,586	B1	*	1/2016	Reid	.....	A47C 20/021
D771,396	S	*	11/2016	Mandon	.....	D6/349
D805,311	S	*	12/2017	Mandon	.....	D6/349
10,251,488	B2	*	4/2019	Lan	.....	A47C 31/00
D854,759	S	*	7/2019	Elliott	.....	D30/133
D869,868	S	*	12/2019	Zhang	.....	D6/349
10,618,720	B1	*	4/2020	Schneider	.....	B65D 85/187
D905,981	S	*	12/2020	Fletcher	.....	D6/352
2019/0098998	A1	*	4/2019	Harguth	.....	A47C 3/029

\* cited by examiner

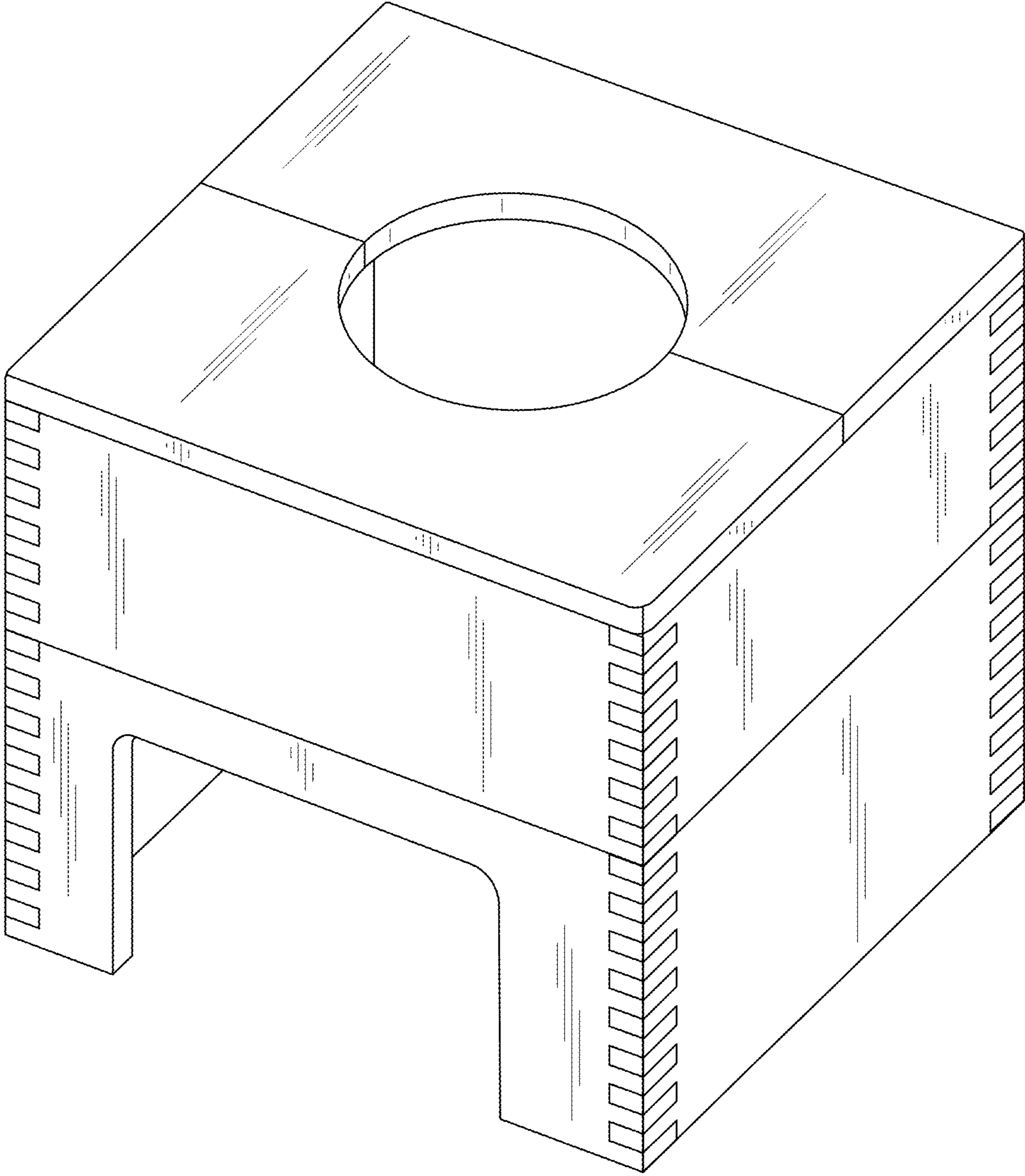


FIG. 1

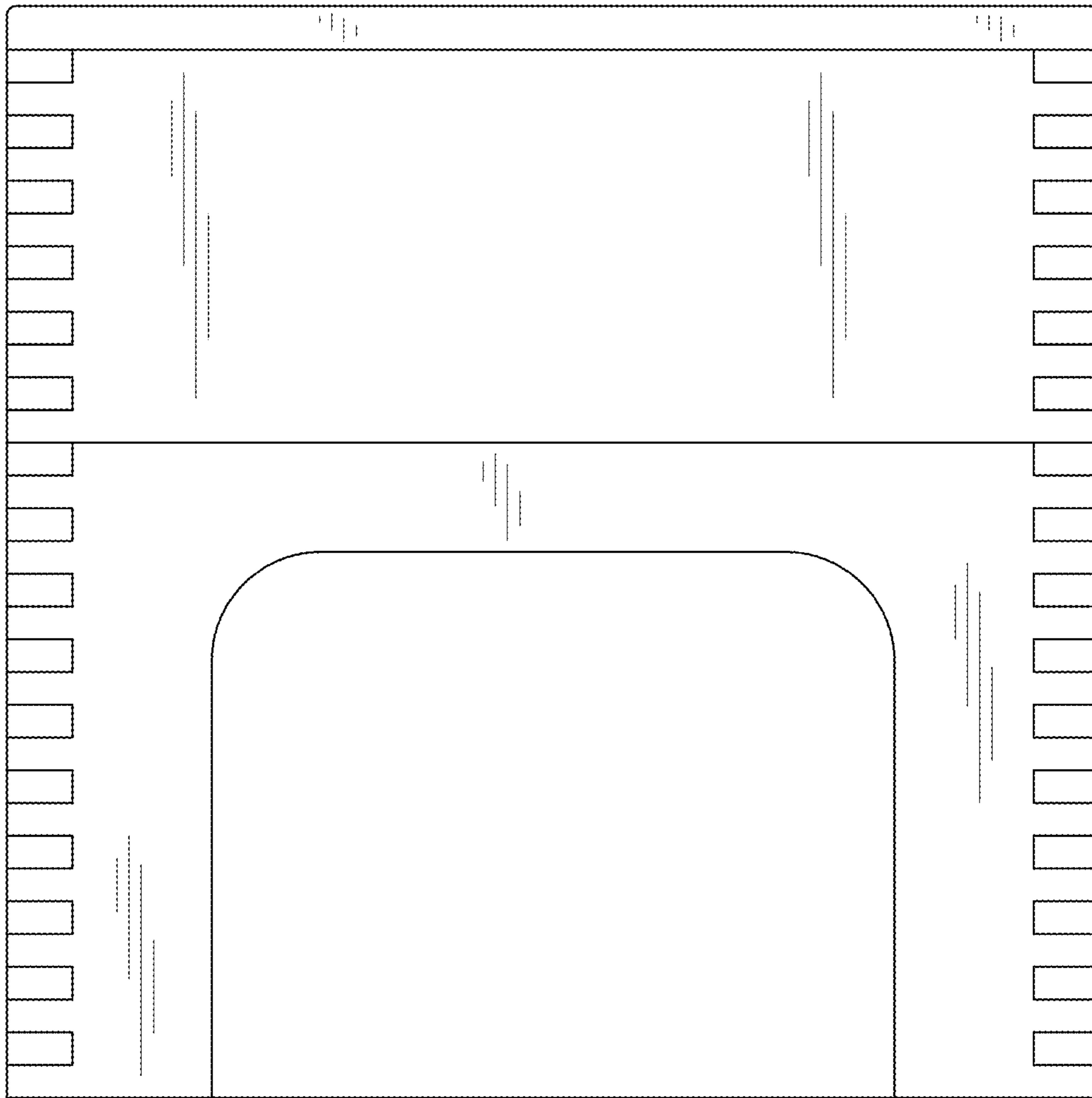


FIG. 2

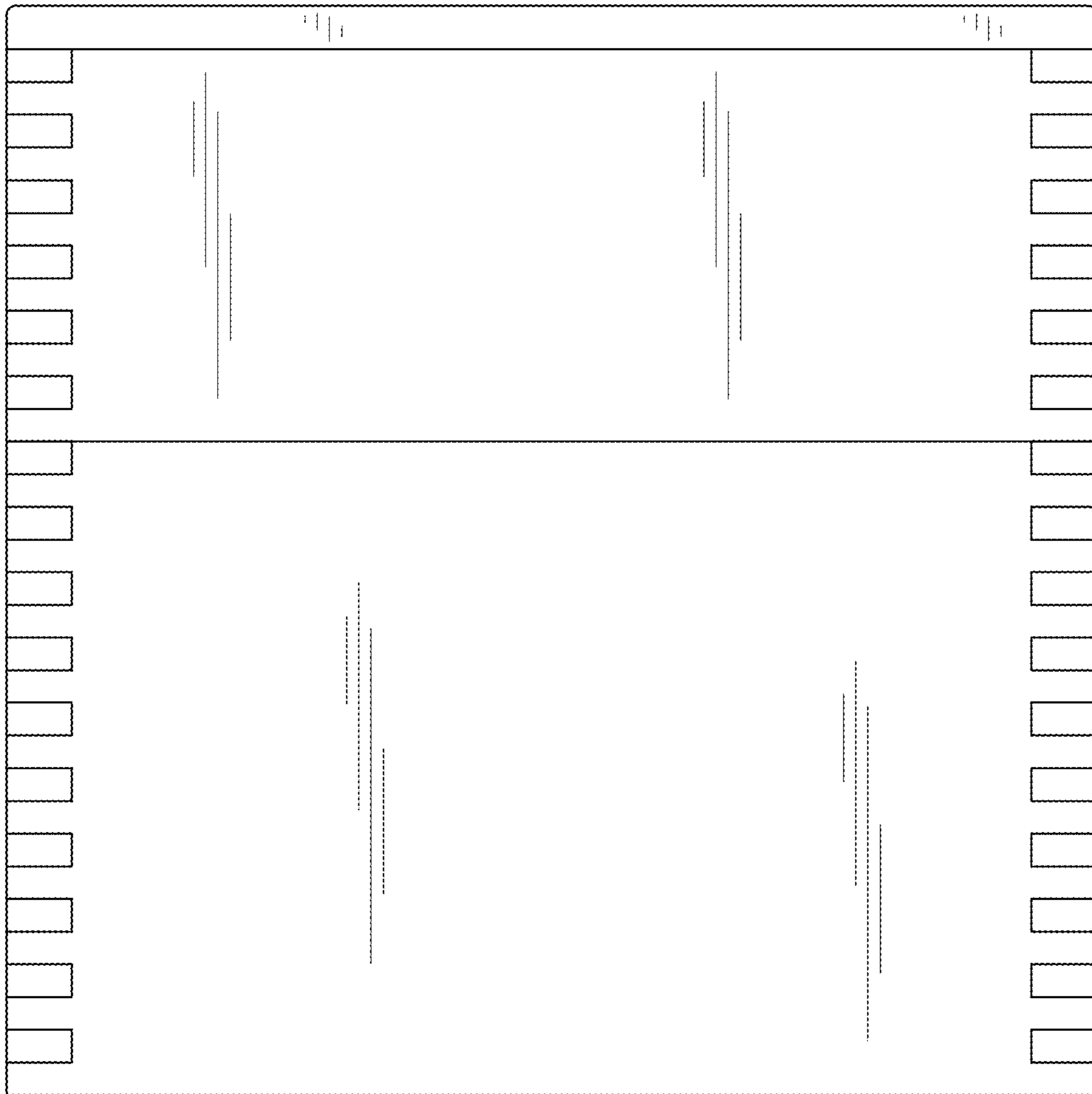


FIG. 3

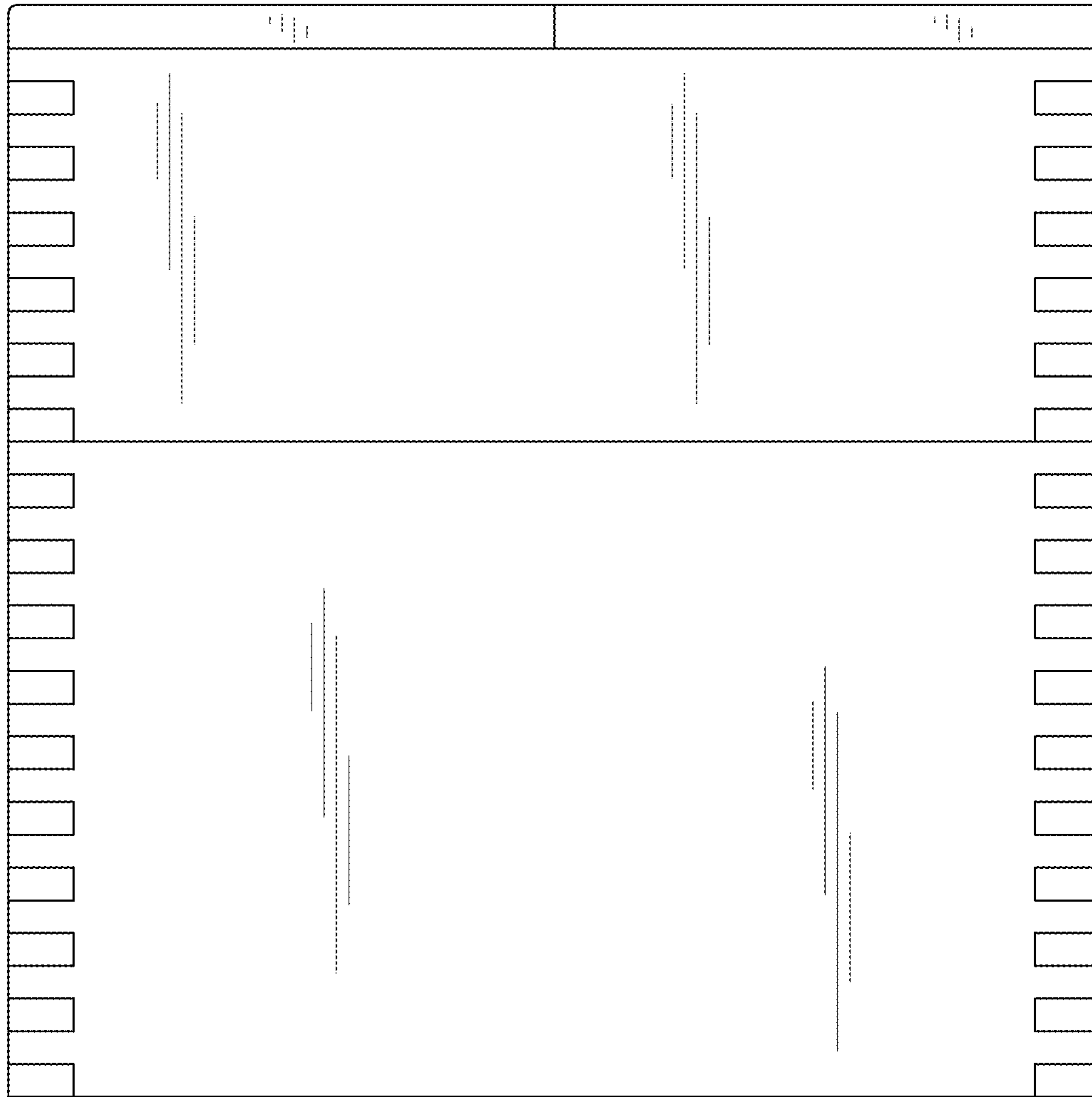


FIG. 4



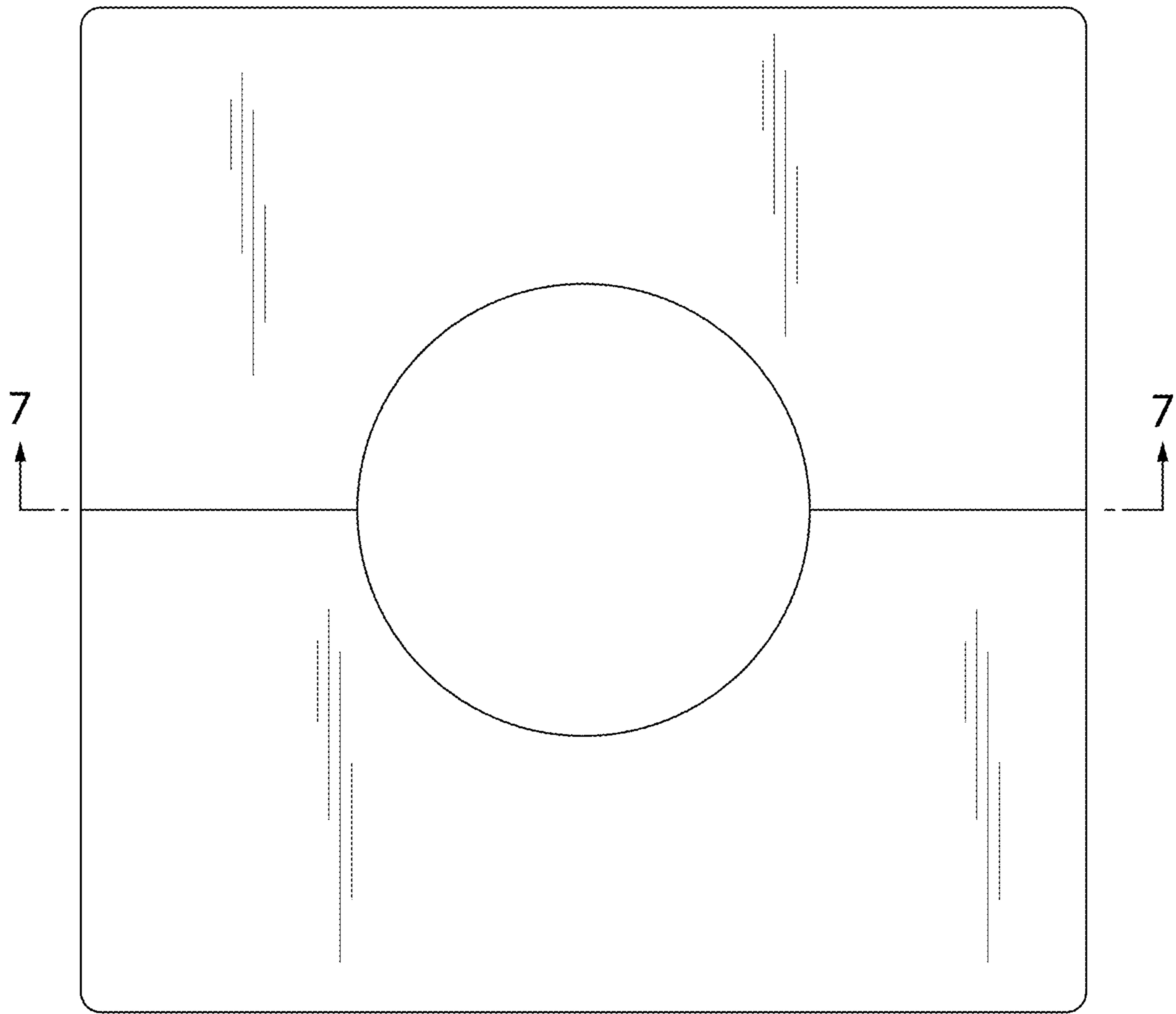


FIG. 5

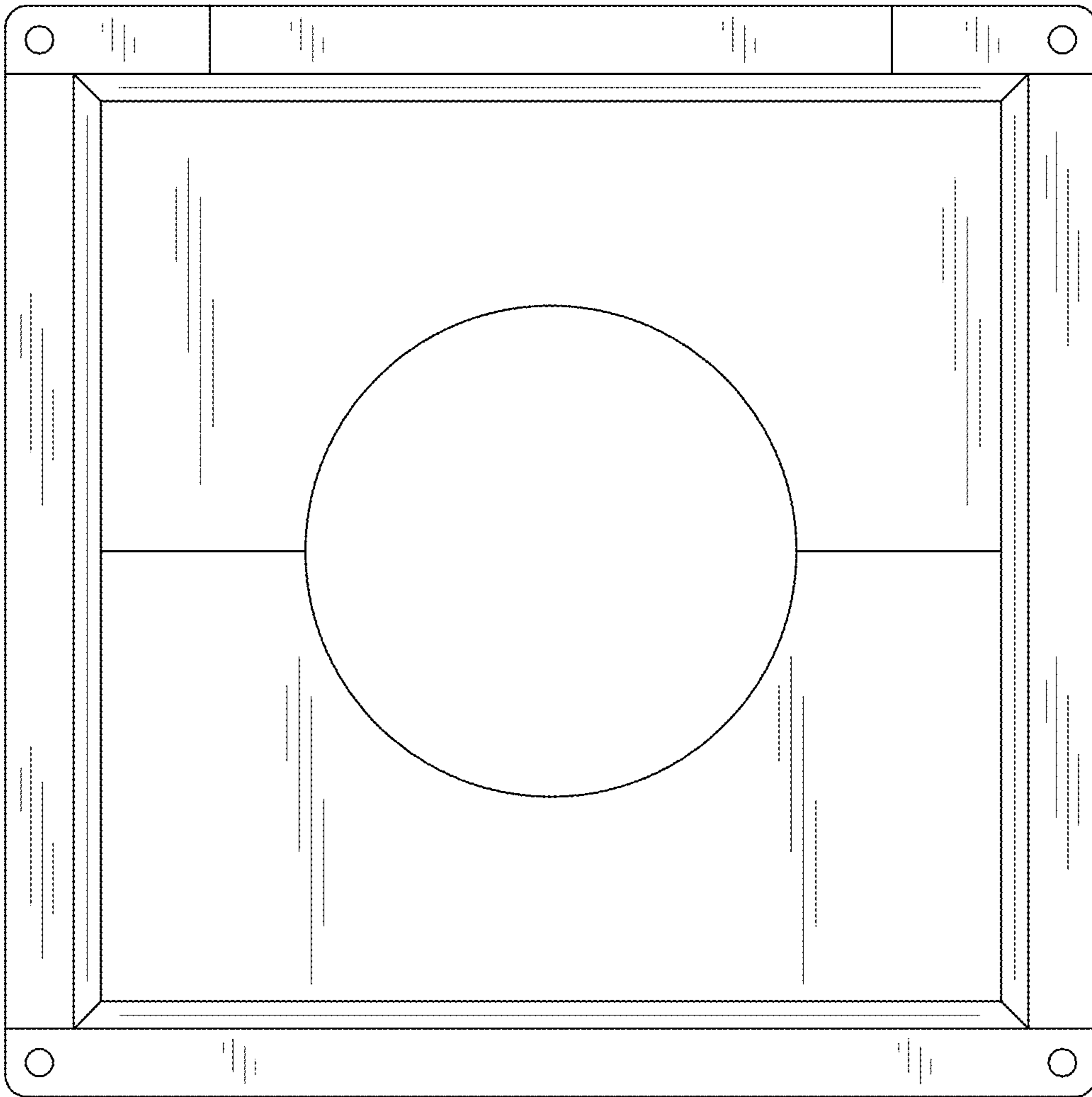


FIG. 6



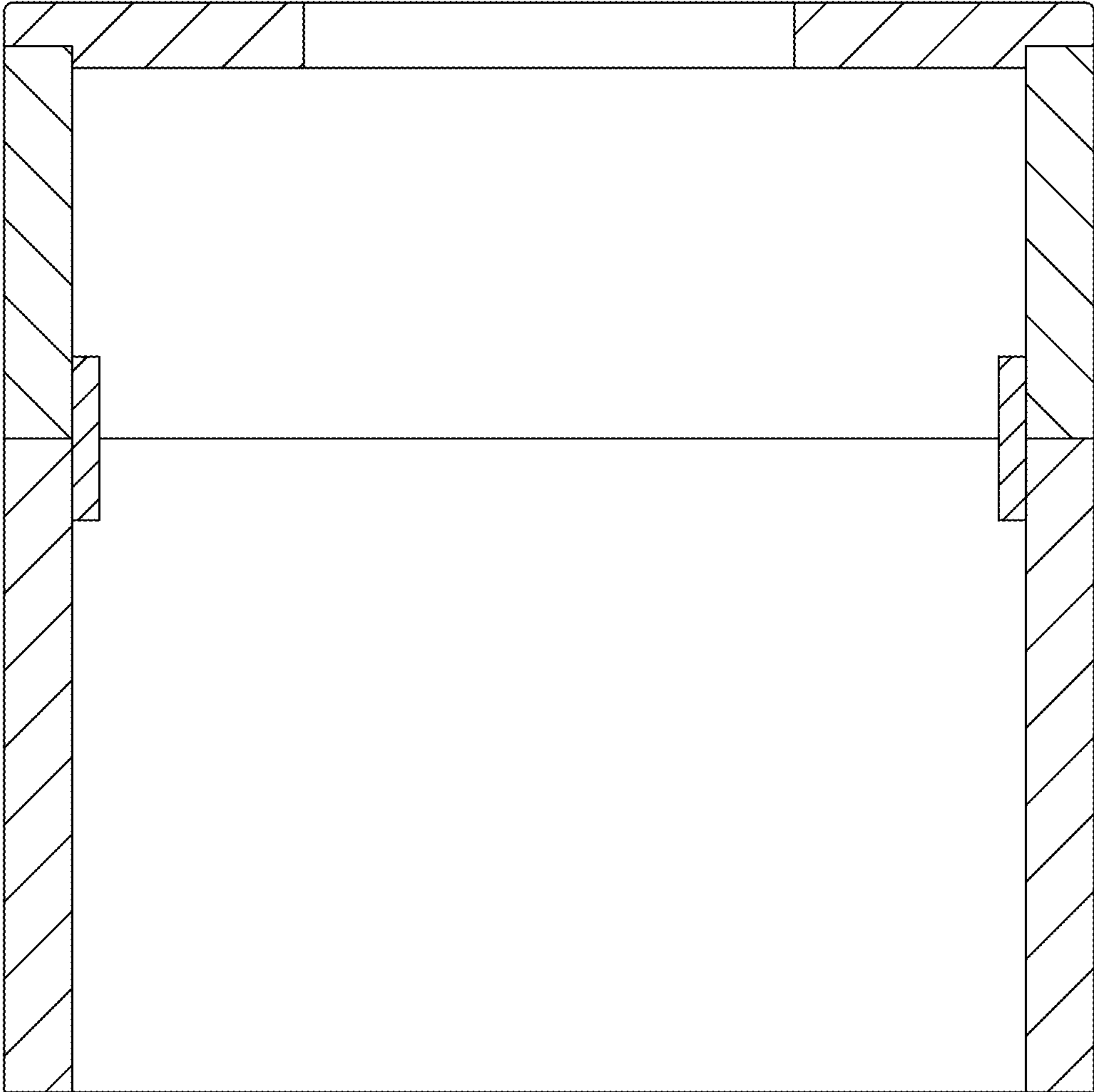


FIG. 7

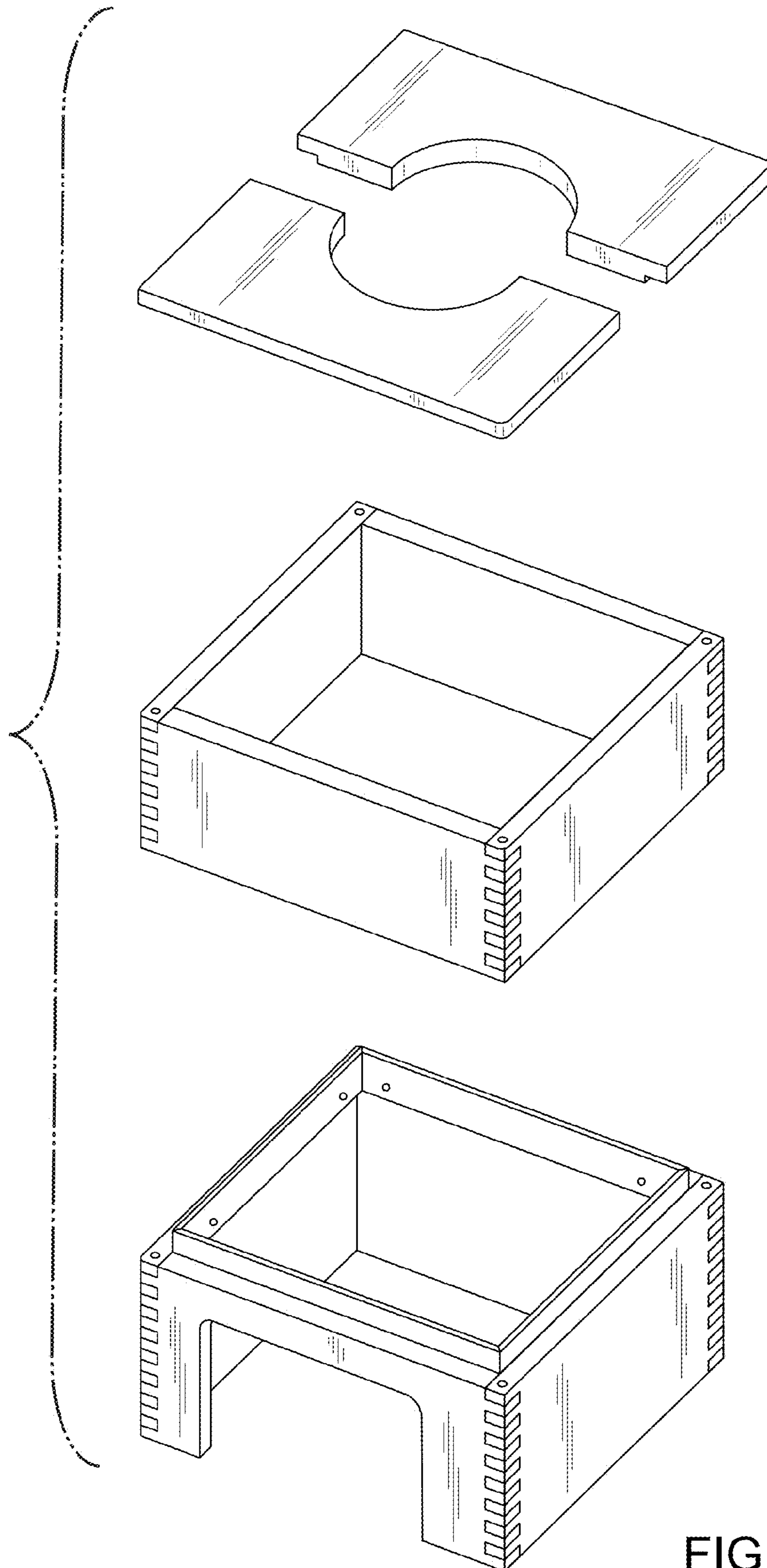


FIG. 8



FIG. 9

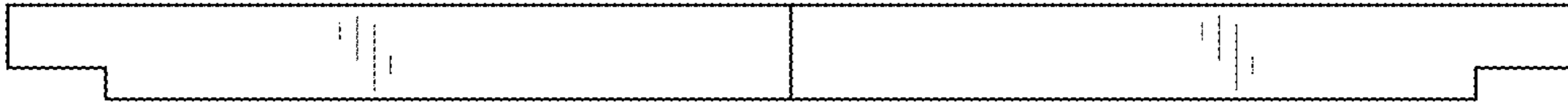


FIG. 10

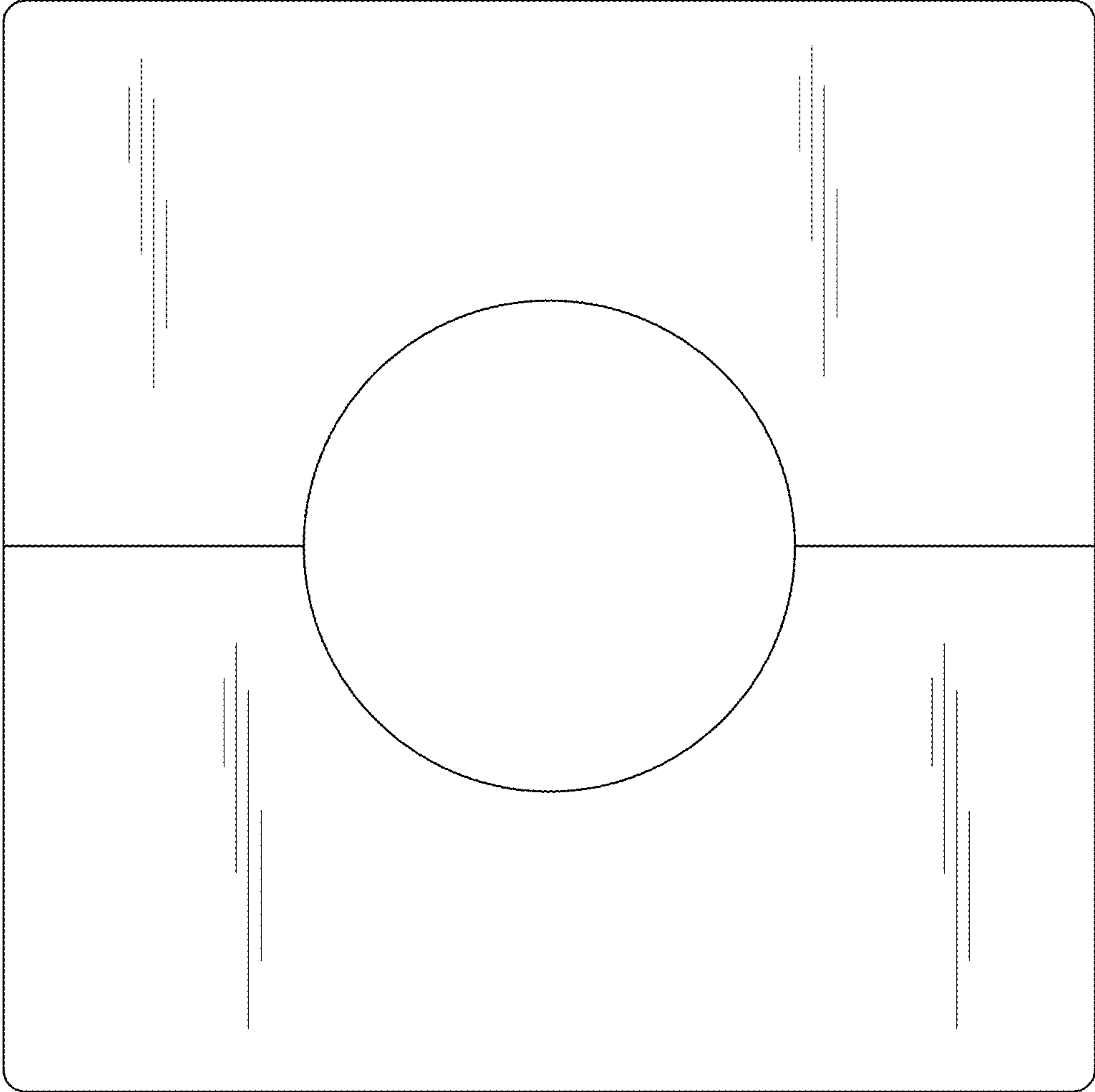


FIG. 11

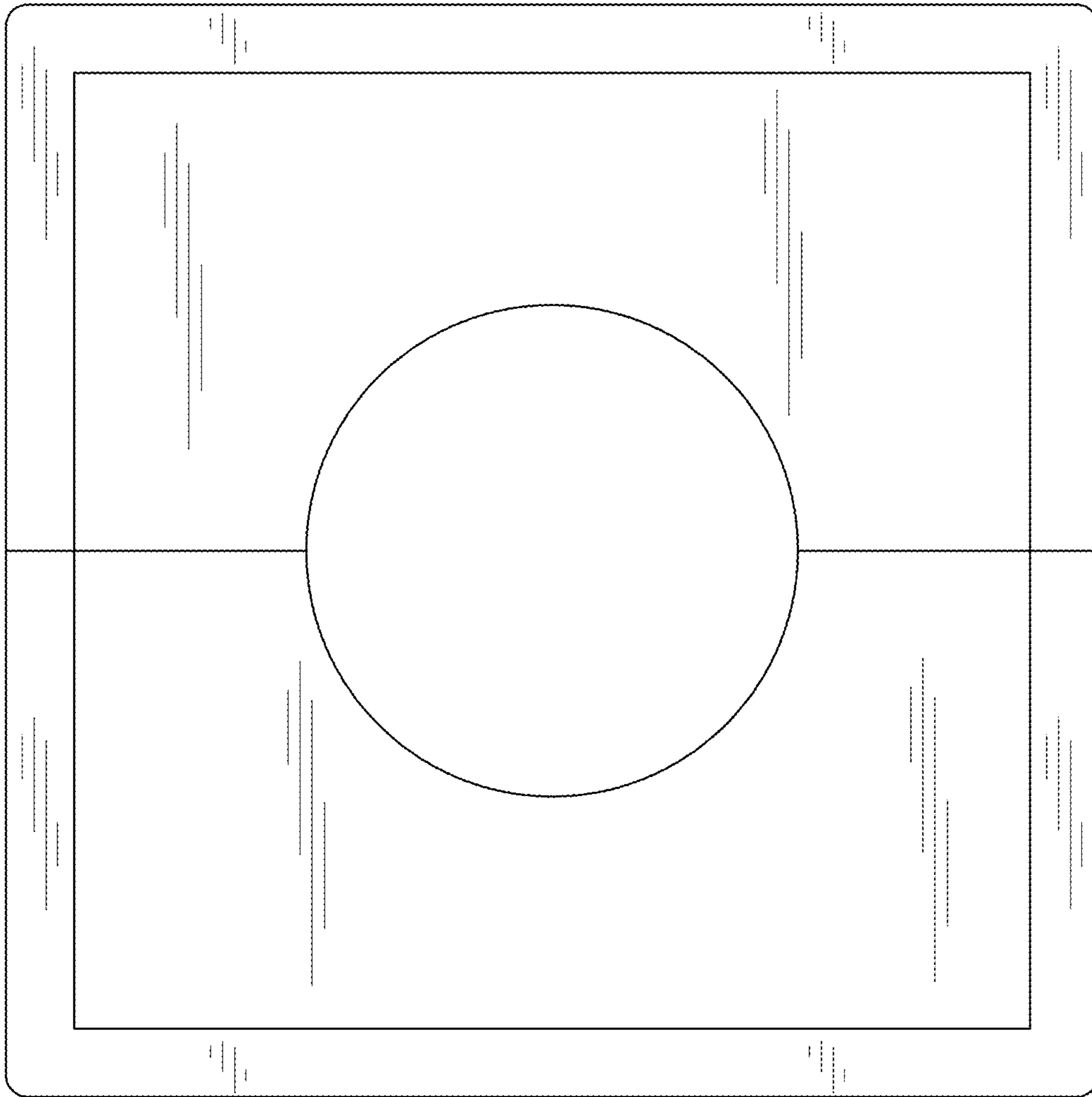


FIG. 12

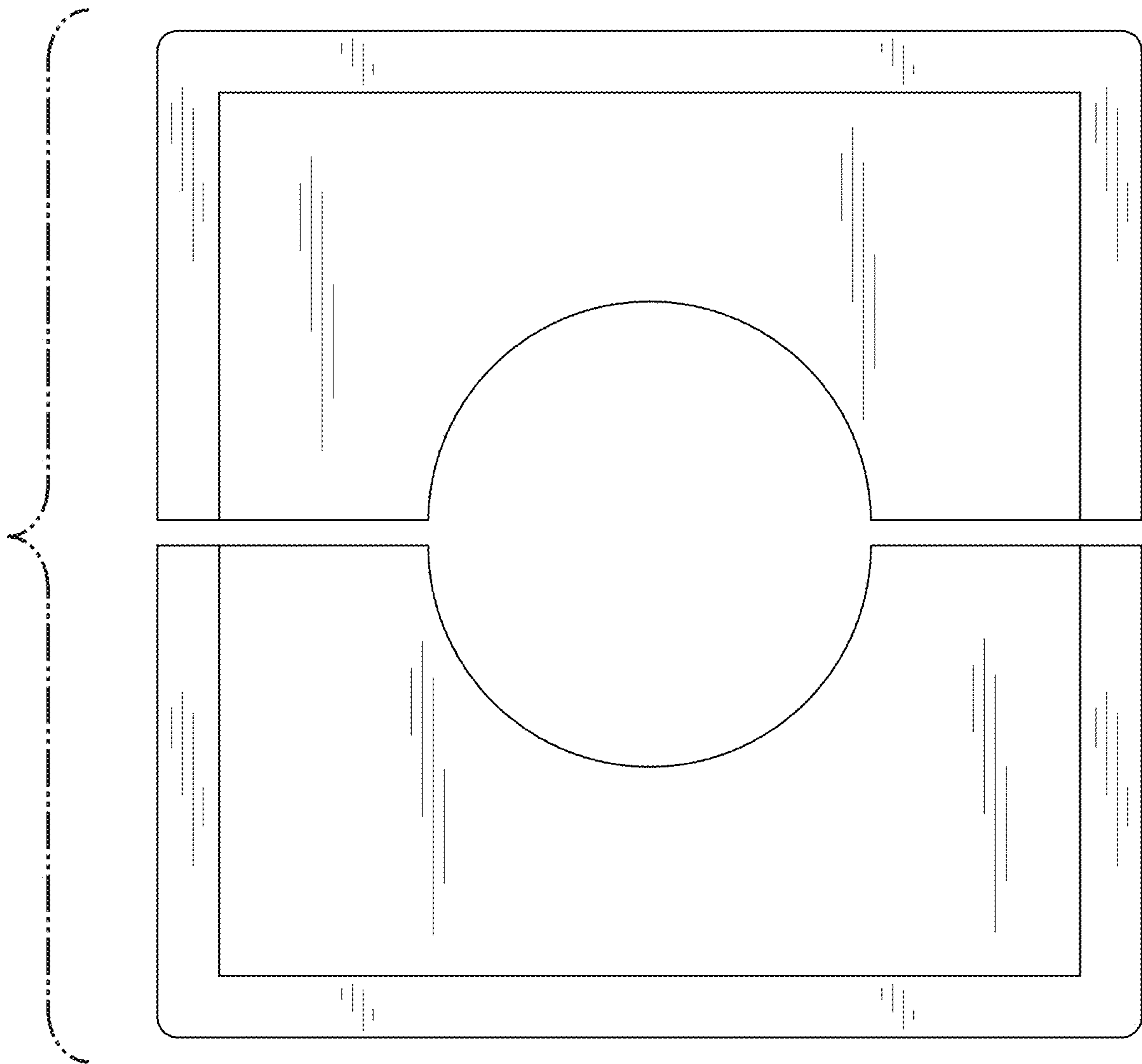


FIG. 13



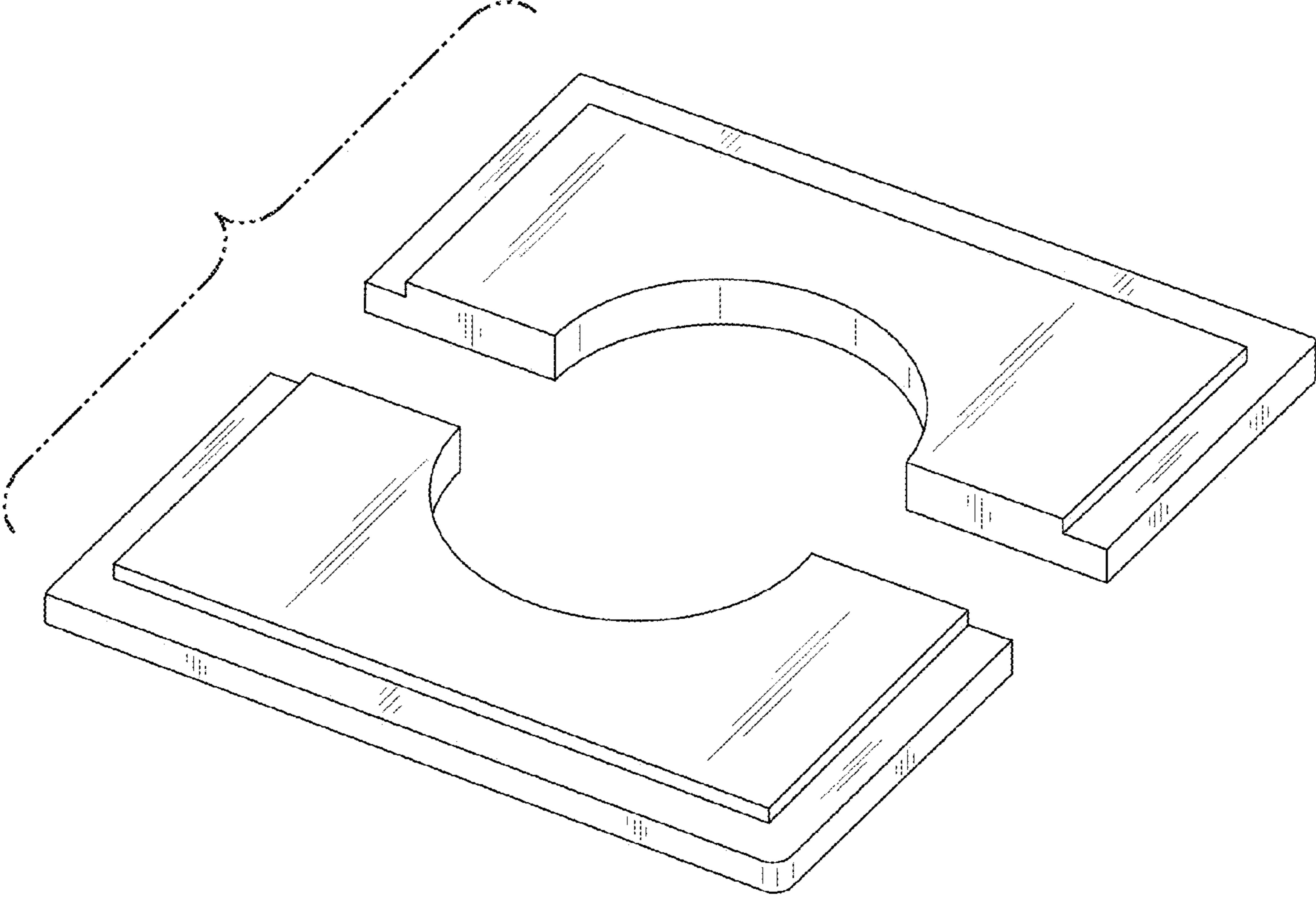


FIG. 14

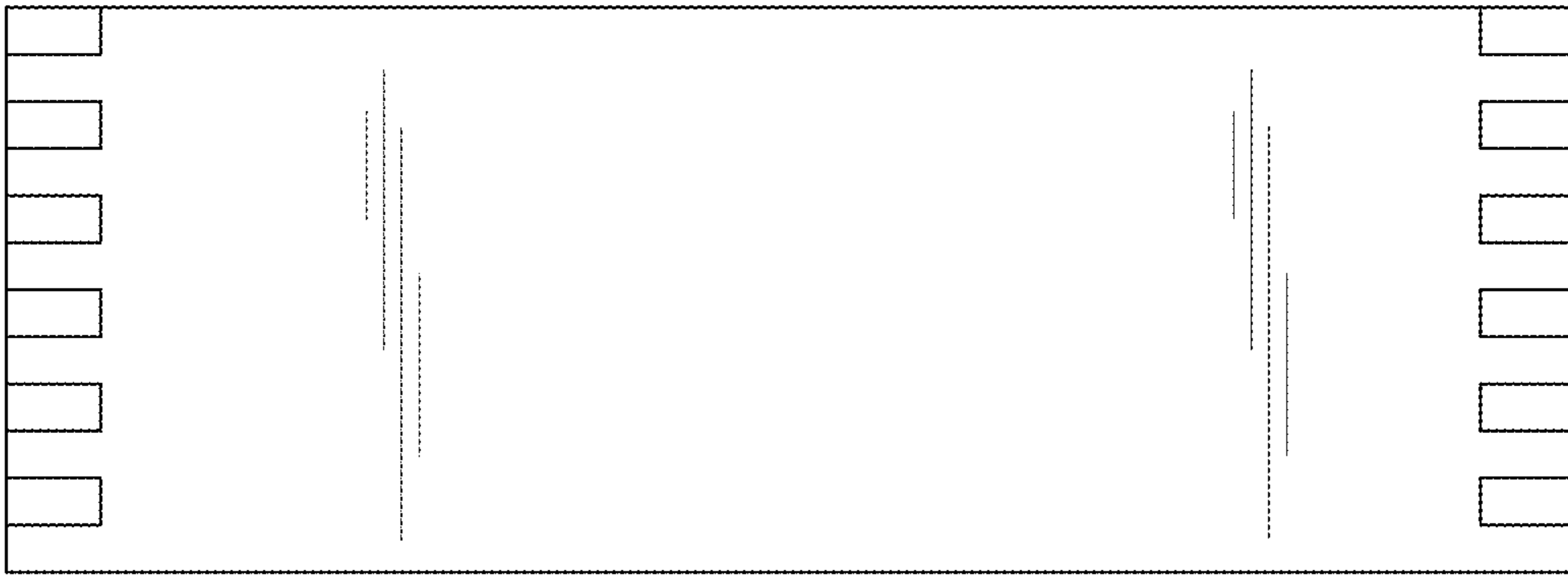


FIG. 15

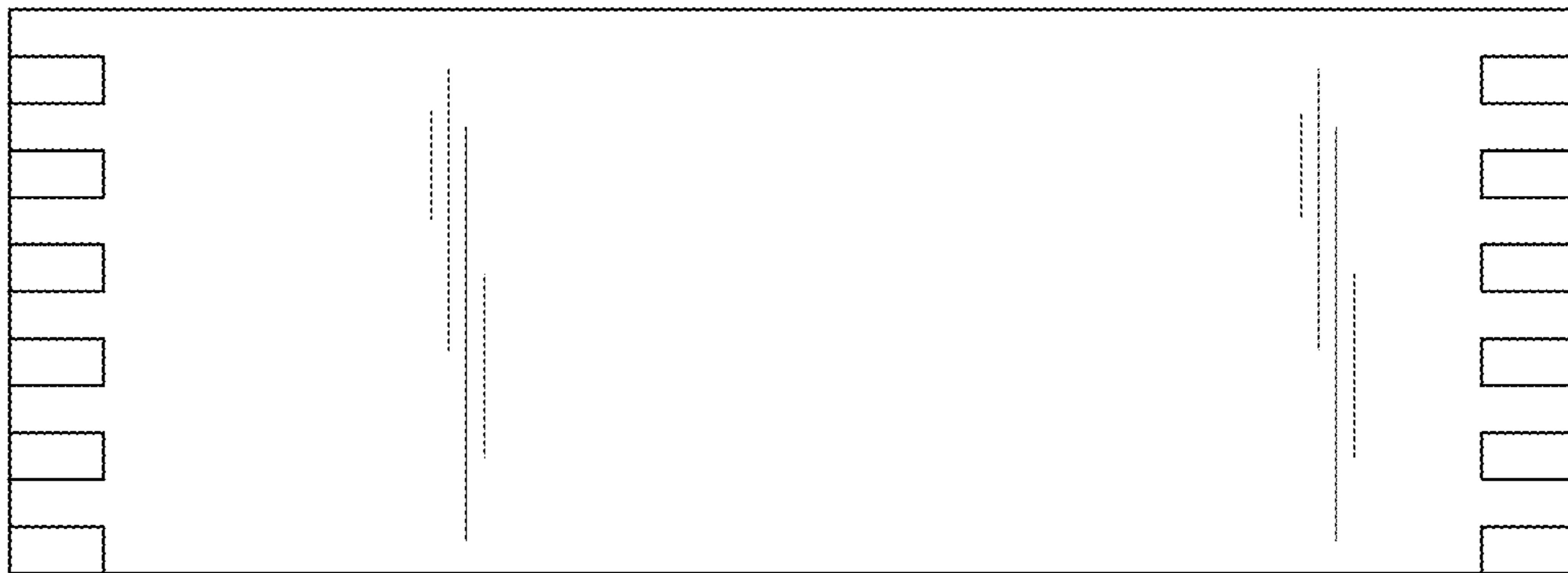


FIG. 16

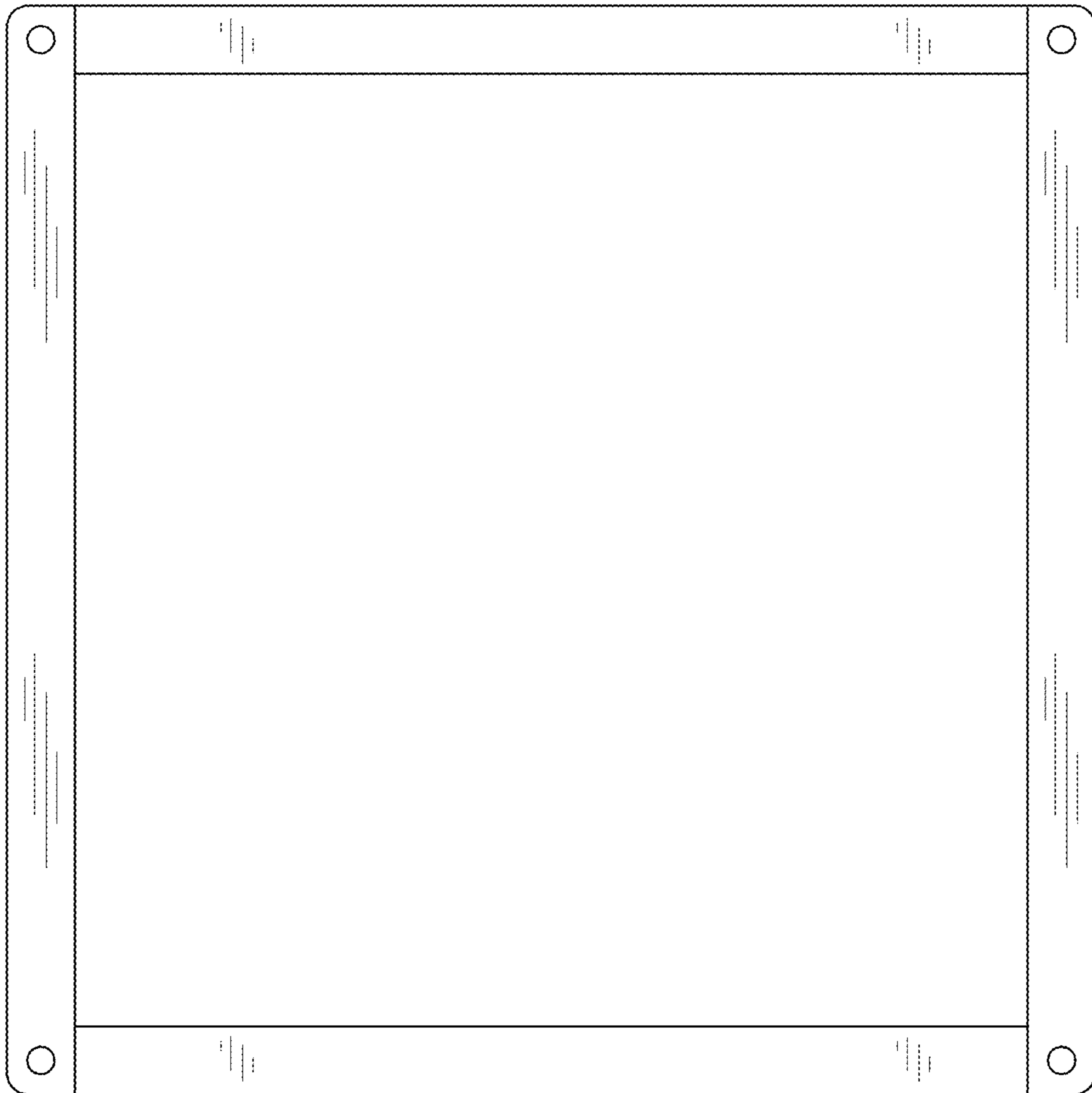


FIG. 17

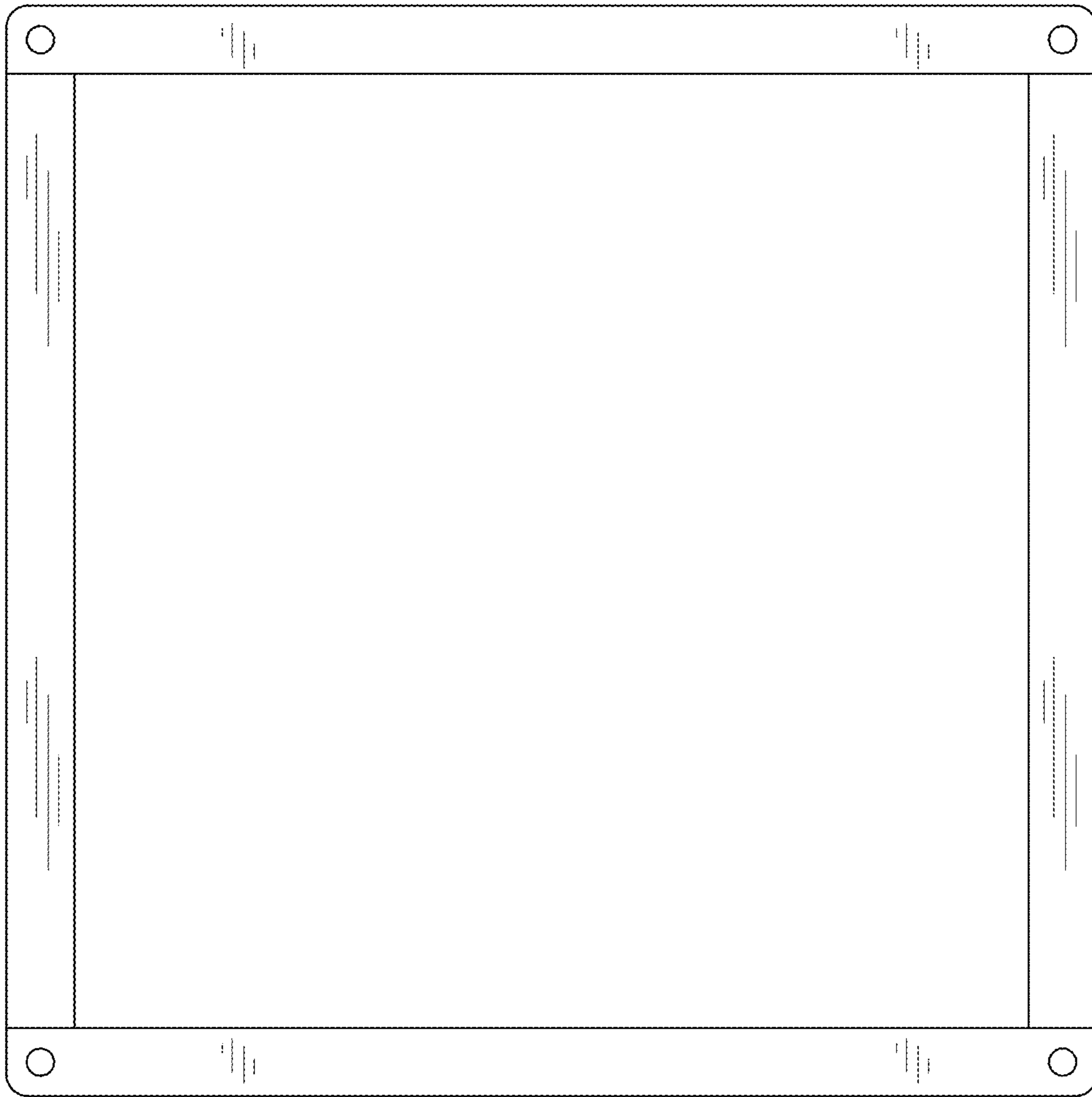


FIG. 18

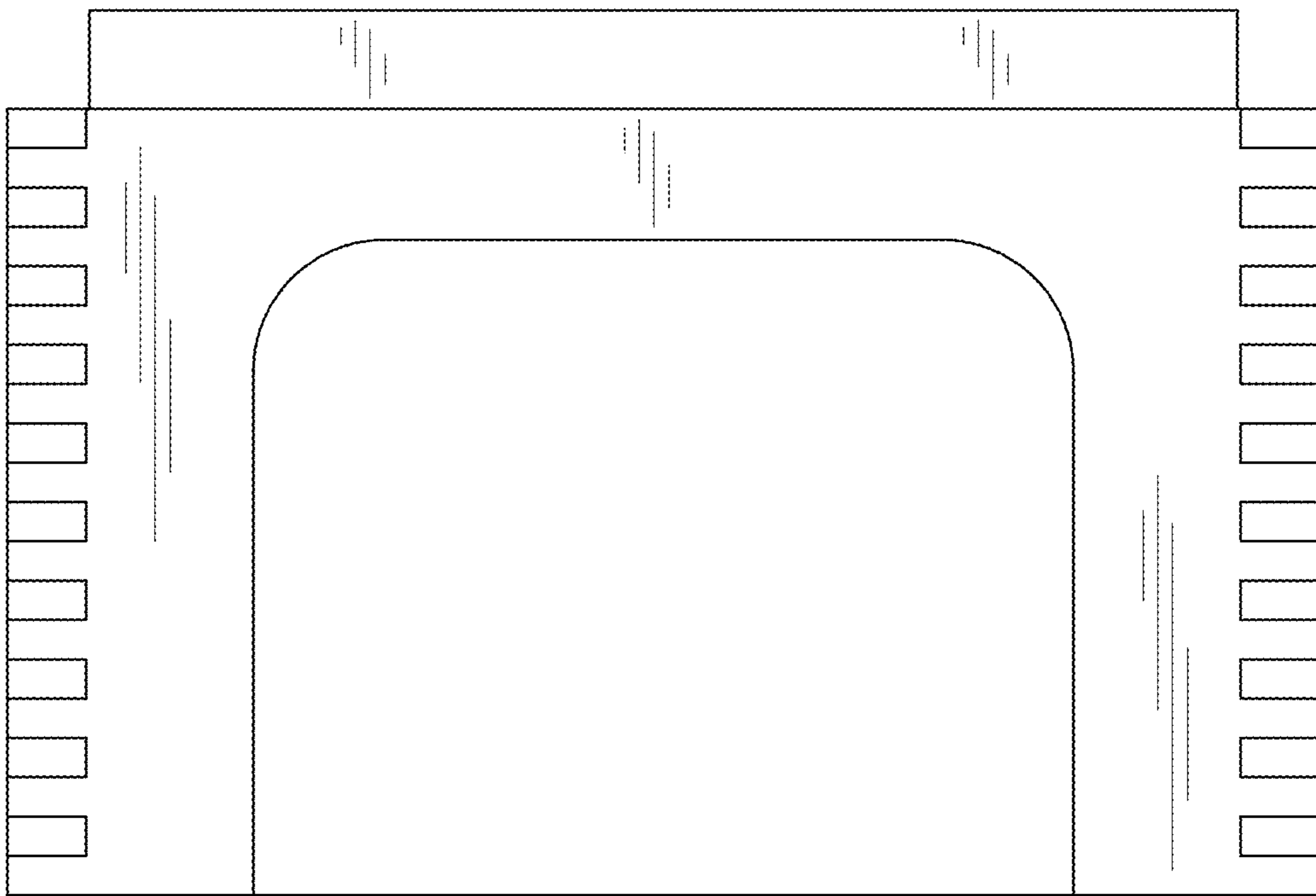


FIG. 19

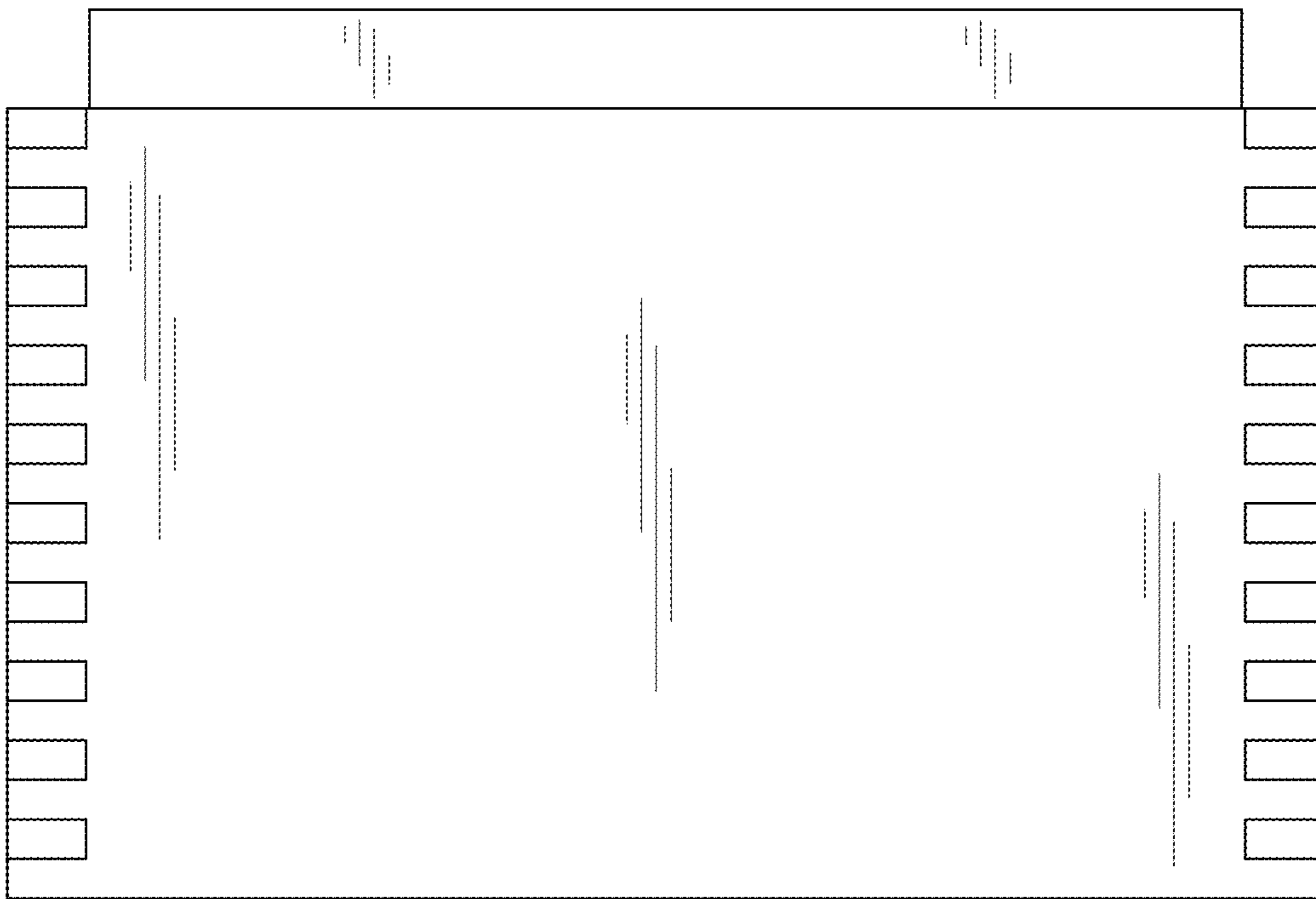


FIG. 20



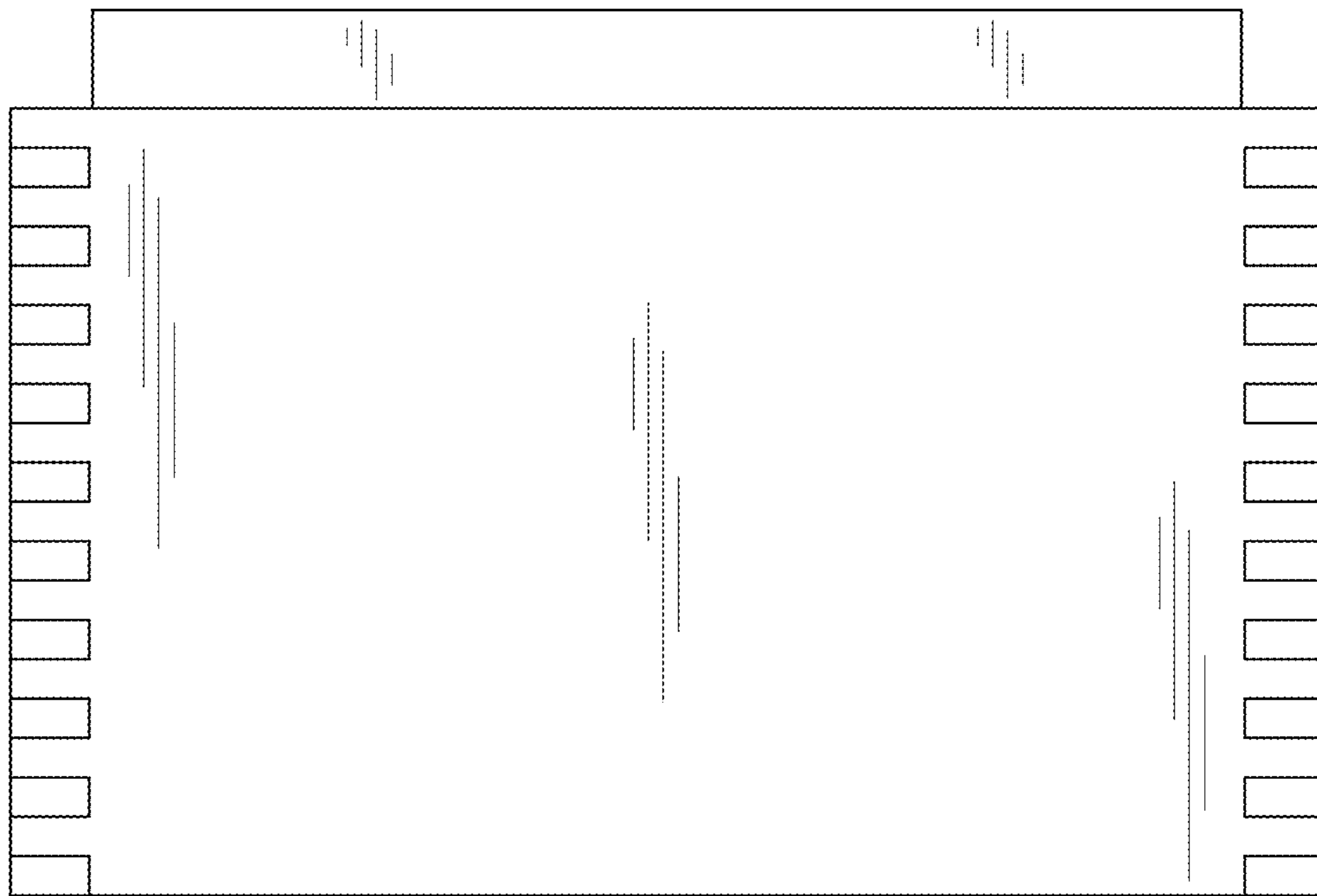


FIG. 21

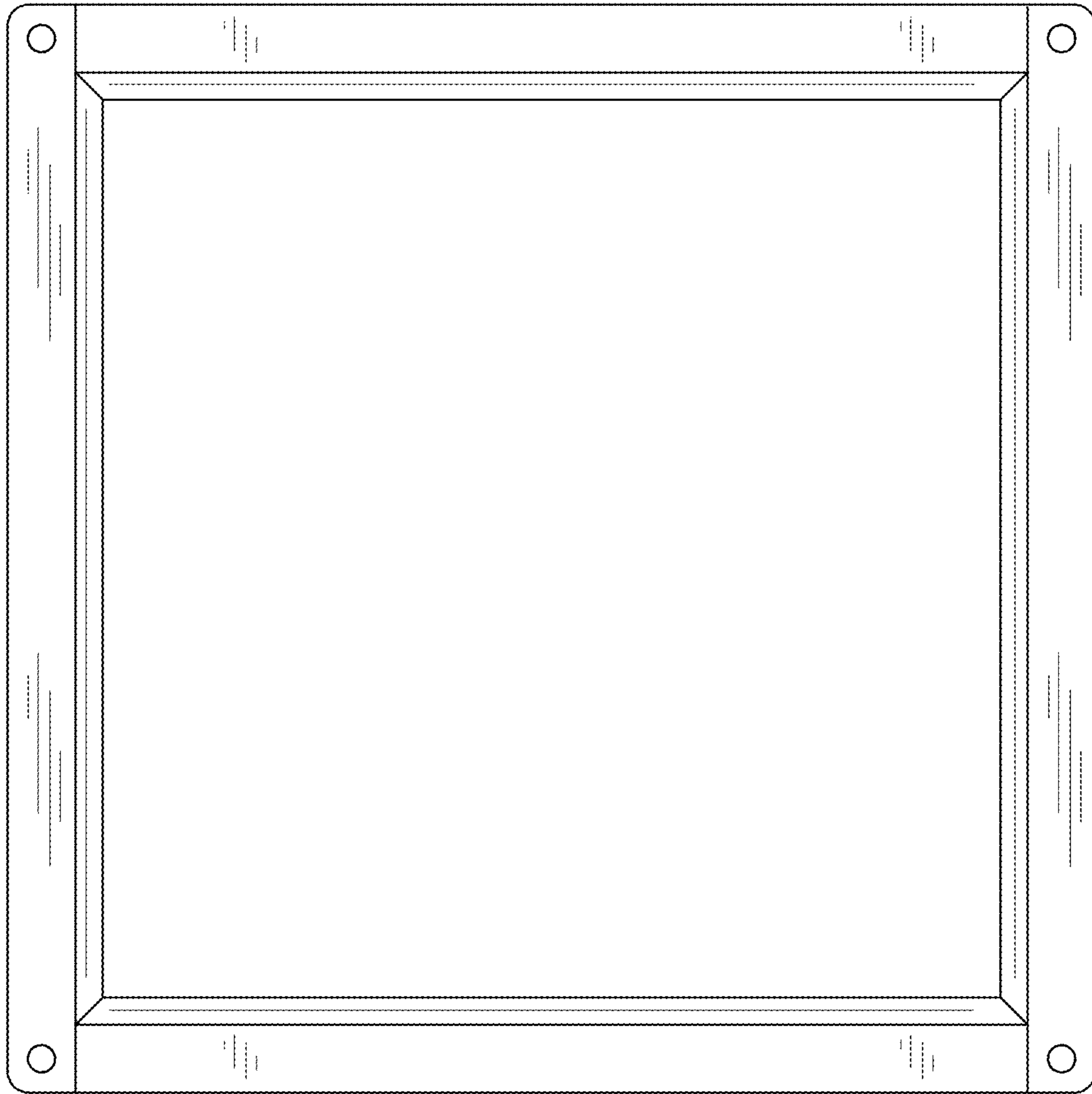


FIG. 22

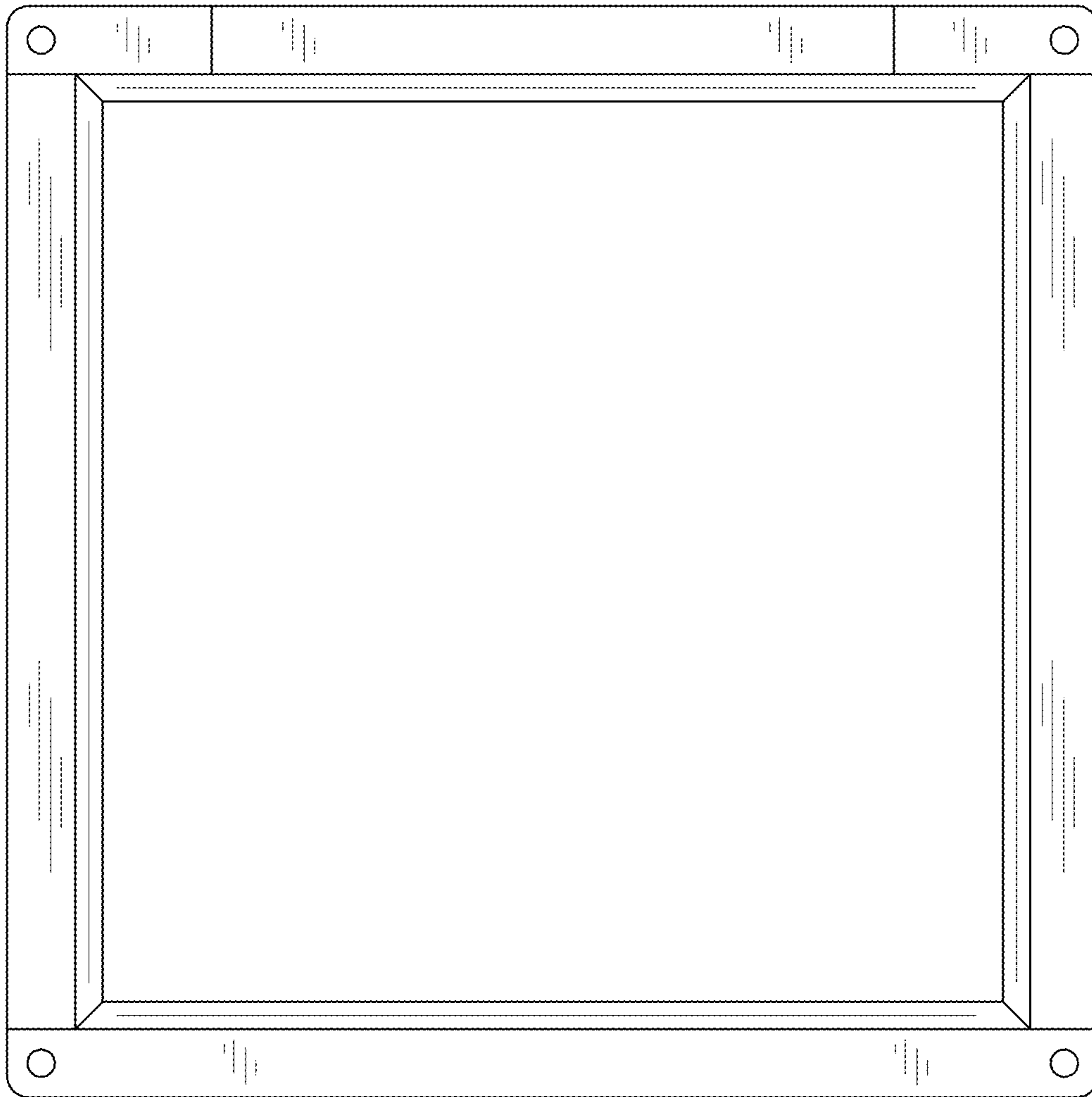


FIG. 23