



US00D923344S

(12) **United States Design Patent** (10) **Patent No.:** **US D923,344 S**
Ni (45) **Date of Patent:** **** Jun. 29, 2021**

(54) **EASEL**
(71) Applicant: **Shao-Jie Ni, Yuyao (CN)**
(72) Inventor: **Shao-Jie Ni, Yuyao (CN)**
(73) Assignee: **Shao-Jie Ni, Yuyao (CN)**
(**) Term: **15 Years**
(21) Appl. No.: **29/667,206**
(22) Filed: **Oct. 19, 2018**
(30) **Foreign Application Priority Data**

Jun. 1, 2018 (CN) 201830269260.8

(51) **LOC (13) Cl.** **19-06**
(52) **U.S. Cl.**
USPC **D6/312**
(58) **Field of Classification Search**
USPC D6/300, 310, 311, 312; D16/244, 245;
D19/86, 91
CPC A47B 97/08
See application file for complete search history.

(56) **References Cited**

U.S. PATENT DOCUMENTS

D205,514 S * 8/1966 Rubin D6/311
D242,757 S * 12/1976 Stark D6/311
4,203,242 A * 5/1980 Griffin F16M 11/10
248/168
D271,454 S * 11/1983 Forte D6/312
D282,320 S * 1/1986 Anderson D16/244
4,609,174 A * 9/1986 Nakatani A47B 97/08
248/168
D291,153 S * 8/1987 Nakatani D6/300
D305,833 S * 2/1990 Koves D3/315
D319,926 S * 9/1991 Solomon D6/312
D367,377 S * 2/1996 Langton D19/91

D367,767 S * 3/1996 Rhodes D6/310
D424,308 S * 5/2000 Hutten D6/312
6,179,266 B1 * 1/2001 Hutten A47B 97/08
248/169
D474,617 S * 5/2003 Swartz D6/310
6,601,805 B1 * 8/2003 Kapp A47B 97/08
248/171
7,832,701 B2 * 11/2010 Barnes A47B 97/08
248/460
D686,420 S * 7/2013 Beach D6/310
D691,380 S * 10/2013 Richeson D6/312
9,351,573 B2 * 5/2016 Lee F16M 11/34
10,028,585 B2 * 7/2018 Lee A47B 97/08
2006/0192071 A1 * 8/2006 Choi A47B 97/08
248/460
2016/0356486 A1 * 12/2016 Garlieb A47B 97/08

FOREIGN PATENT DOCUMENTS

CN 301418694 * 12/2010
KR 300390331.0000 * 8/2005

* cited by examiner

Primary Examiner — Deanna L Pratt
(74) *Attorney, Agent, or Firm* — Dragon Sun Law Firm,
PC; Jinggao Li, Esq.

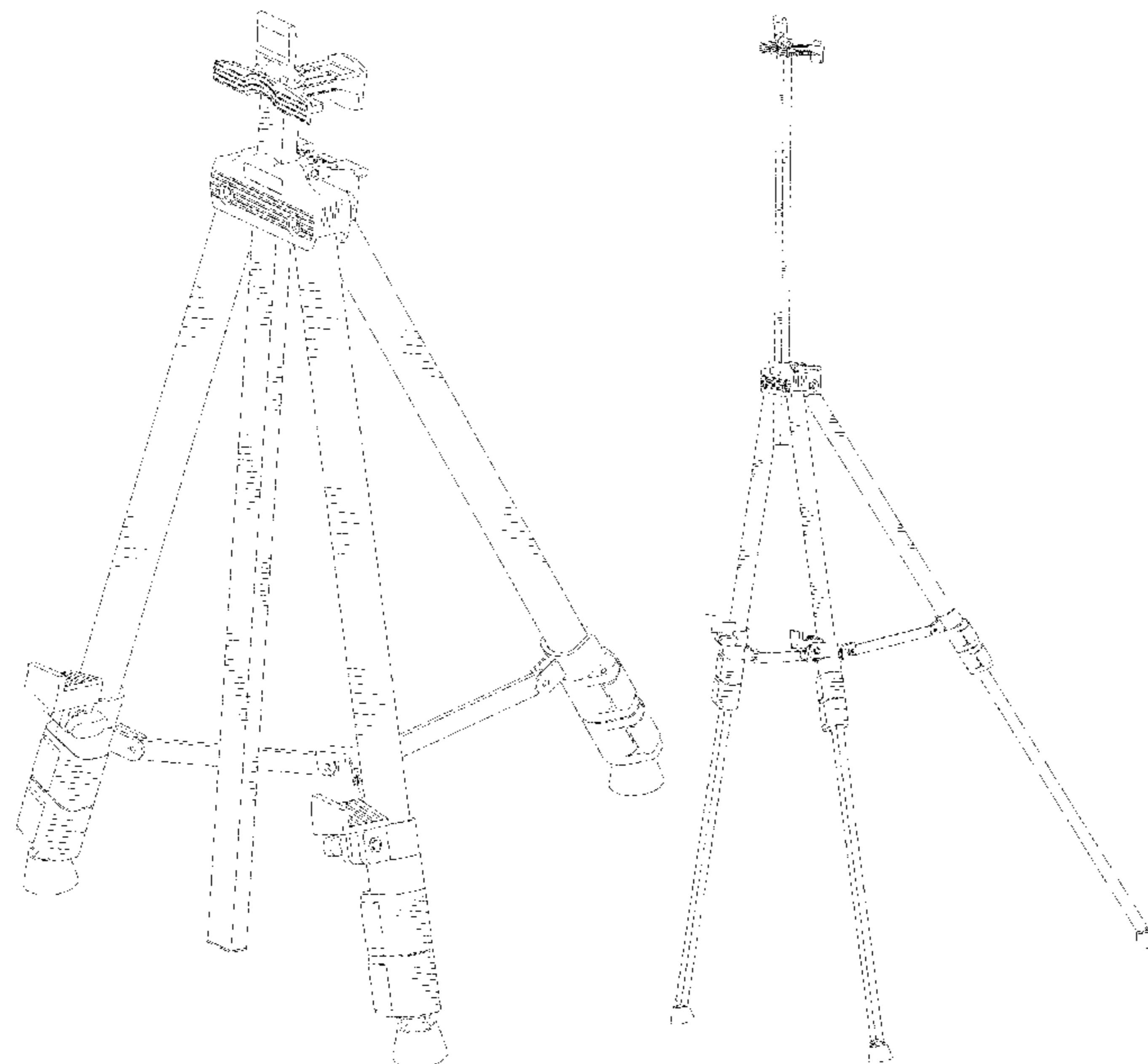
(57) **CLAIM**

The ornamental design for an easel, as shown and described.

DESCRIPTION

FIG. 1 is a perspective view of an easel showing my new design;
FIG. 2 is a front elevational view thereof;
FIG. 3 is a left side elevational view thereof;
FIG. 4 is a rear elevational view thereof;
FIG. 5 is a right side view thereof; and,
FIG. 6 is another perspective view thereof, shown in an alternate position of use.

1 Claim, 6 Drawing Sheets



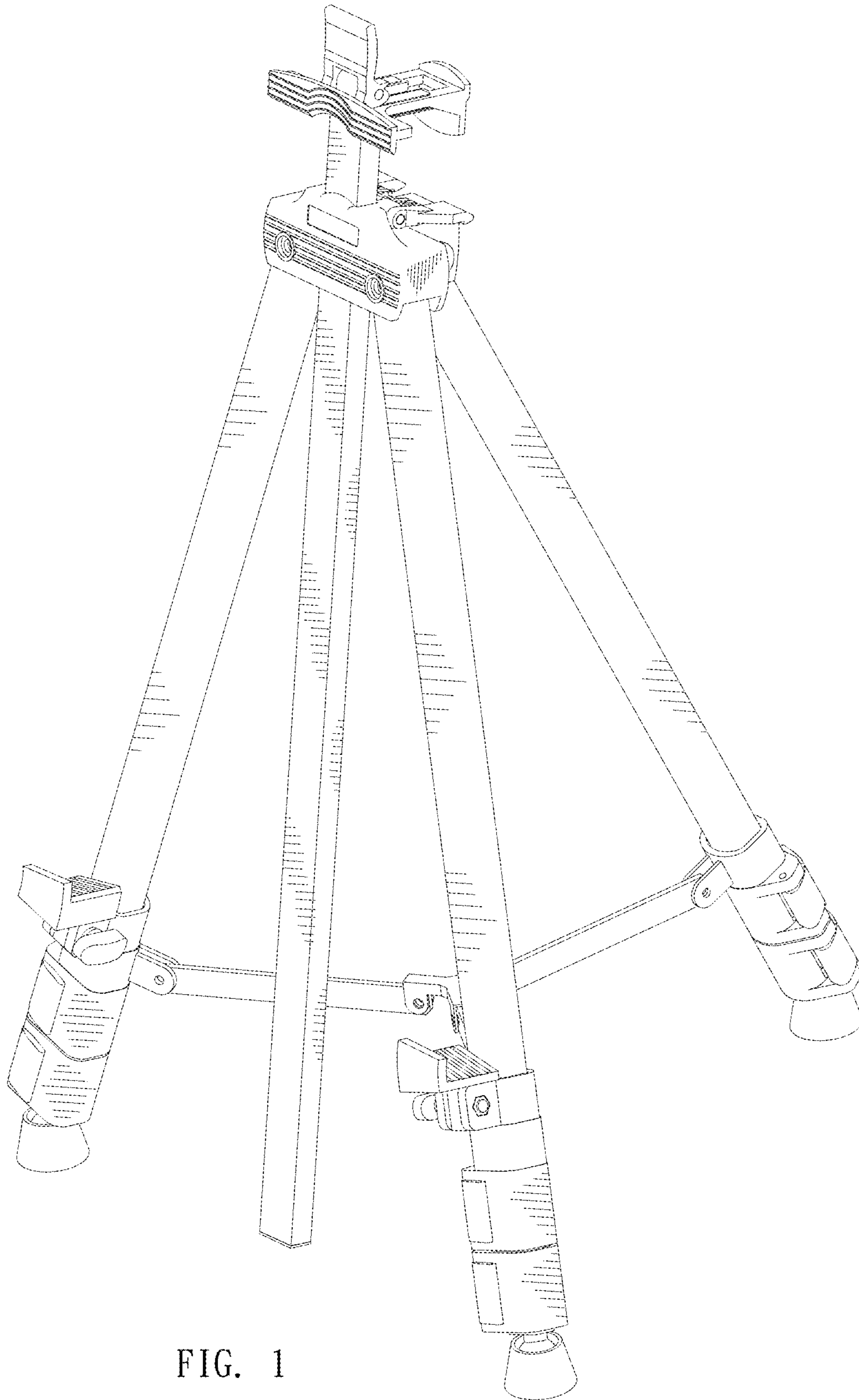


FIG. 1

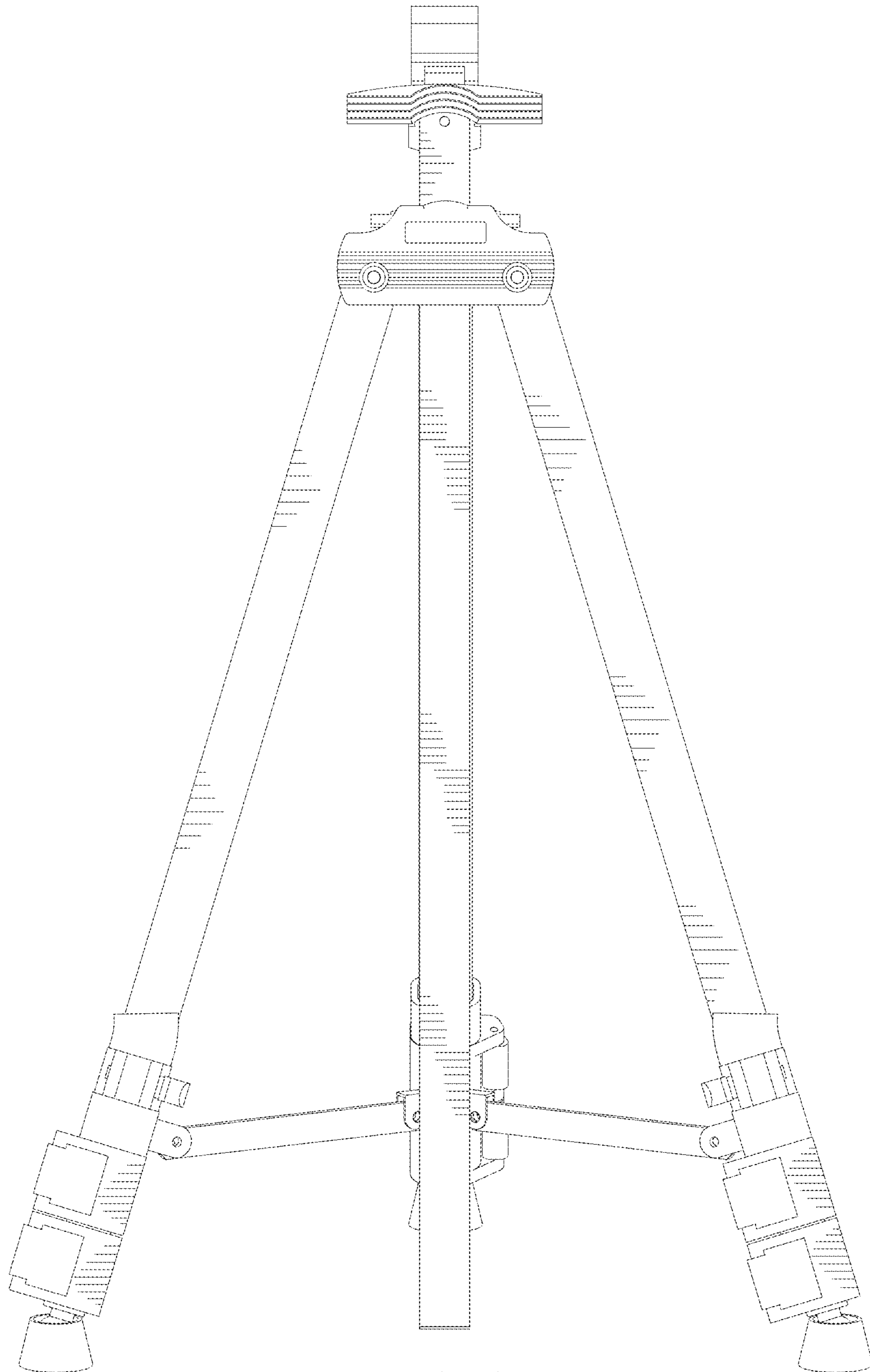


FIG. 2

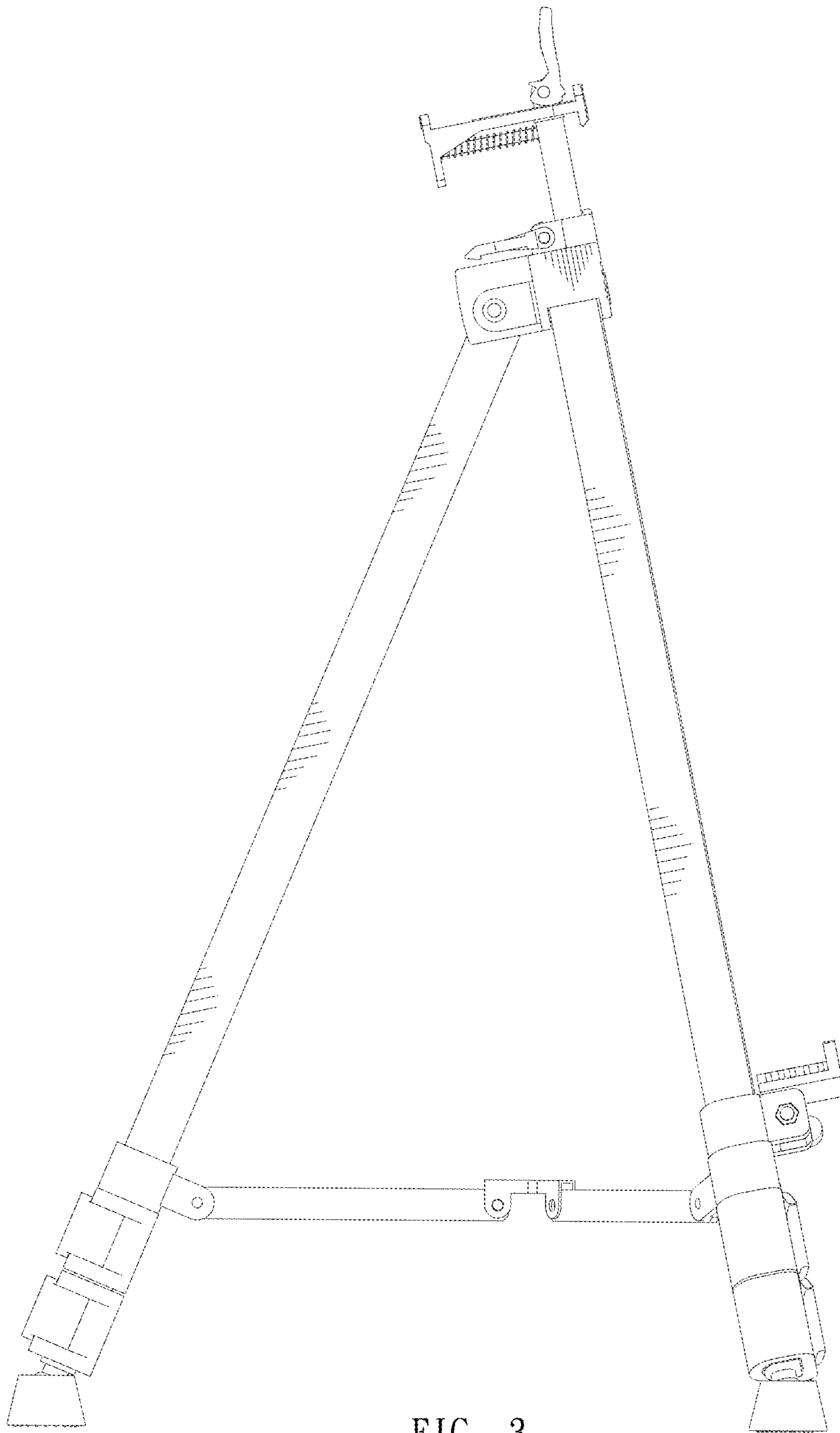


FIG. 3

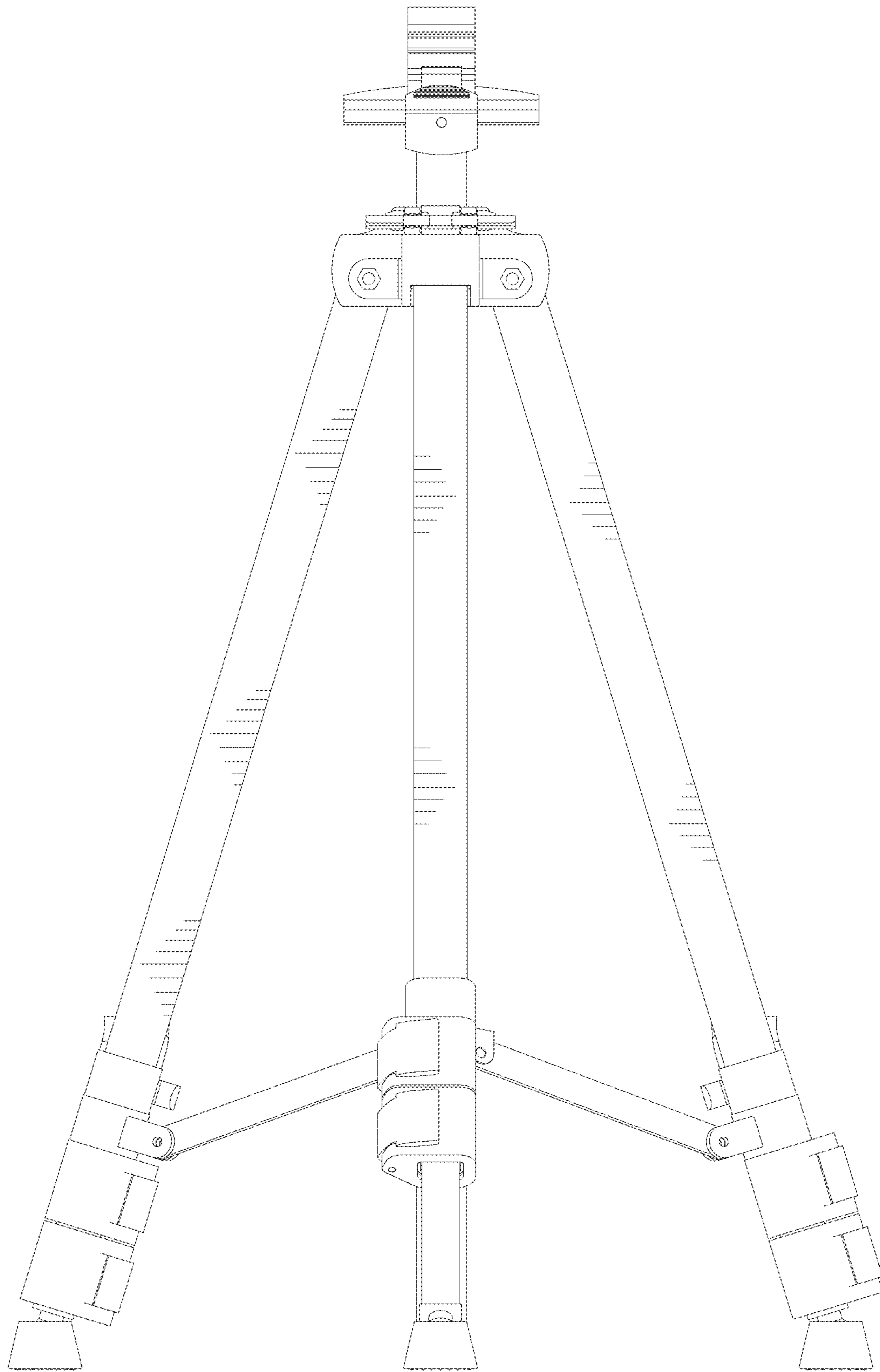


FIG. 4

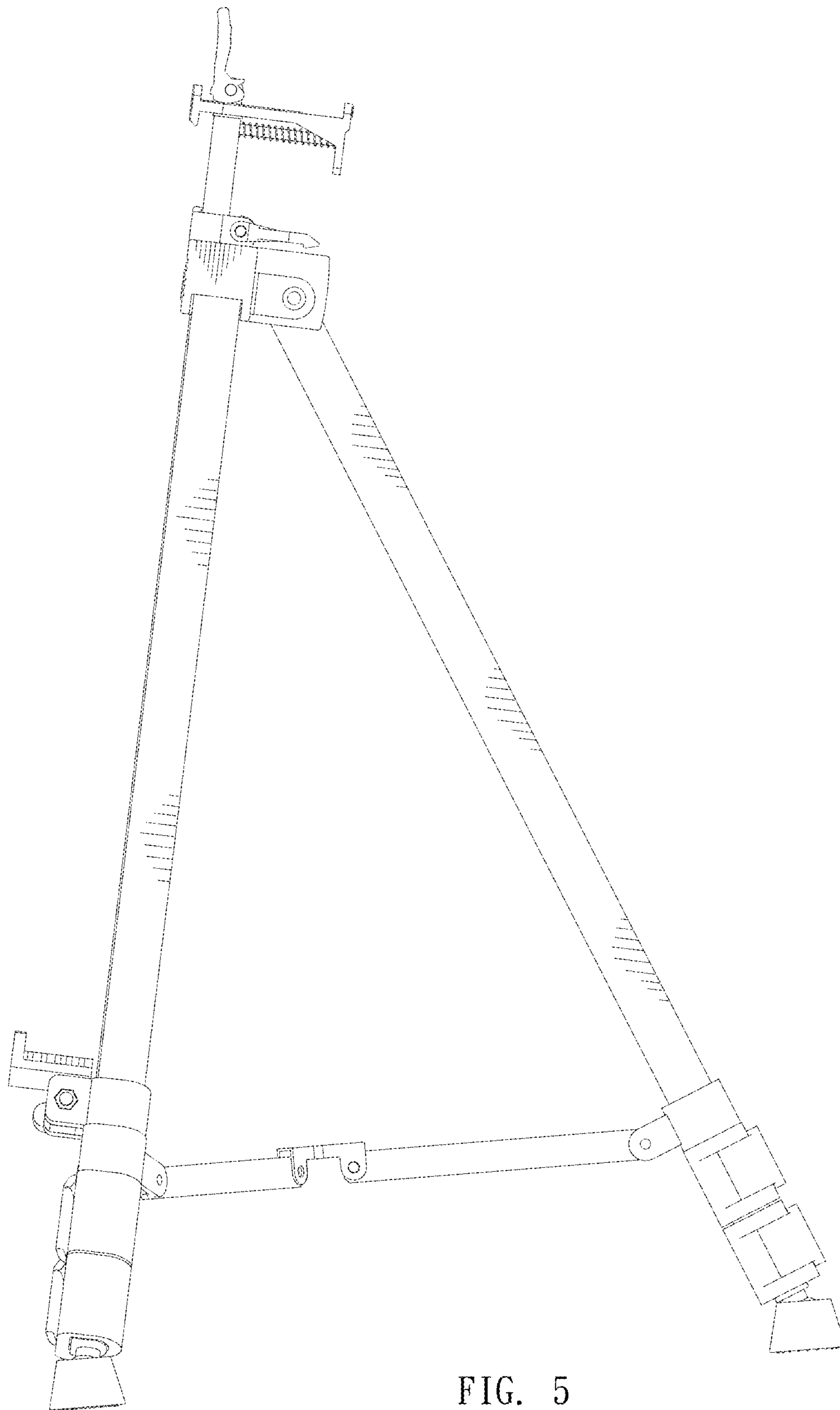


FIG. 5

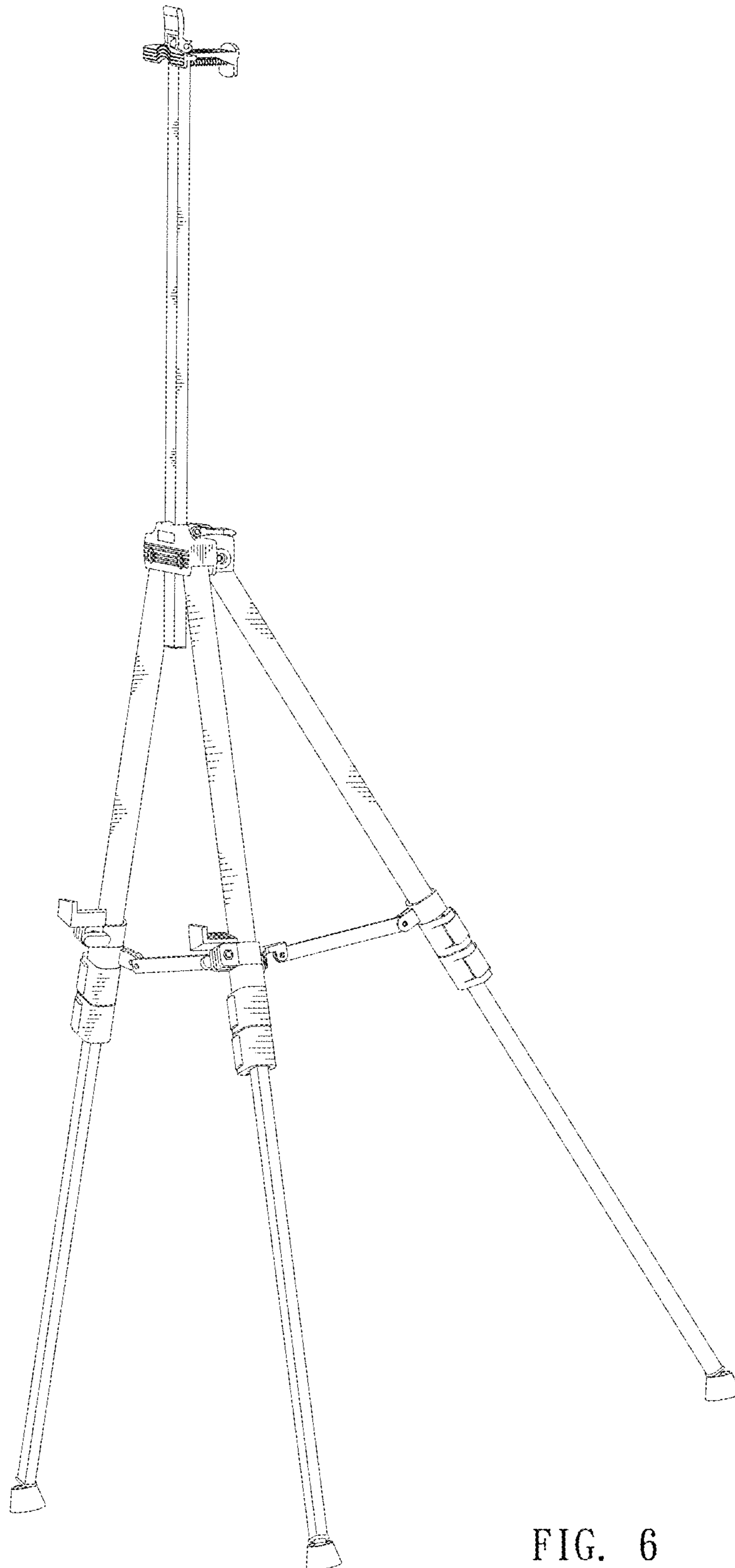


FIG. 6