



US00D923341S

(12) **United States Design Patent**
Xiong

(10) **Patent No.:** **US D923,341 S**
(45) **Date of Patent:** **** Jun. 29, 2021**

(54) **CLEANING BRUSH**

(71) Applicant: **Shasha Xiong**, Shenzhen (CN)

(72) Inventor: **Shasha Xiong**, Shenzhen (CN)

(**) Term: **15 Years**

(21) Appl. No.: **29/718,821**

(22) Filed: **Dec. 30, 2019**

(30) **Foreign Application Priority Data**

Dec. 20, 2019 (CN) 201930714942.X

(51) **LOC (13) Cl.** **28-03**

(52) **U.S. Cl.**

USPC **D4/102; D24/215**

(58) **Field of Classification Search**

USPC D4/100, 102, 121, 127, 128, 129, 130,
D4/132, 133, 134, 135, 136, 137, 138,
D4/199; D28/13, 24, 28, 25, 35;
D24/209, 214, 215

CPC .. A46B 5/02; A46B 9/005; A46B 9/02; A46B
9/023; A46B 9/06; A46B 15/0022; A46B
15/0024; A46B 15/003; A46B 5/0059;
A46B 15/0075; A46B 2200/1093; A46B
2200/104; A45D 2/001; A45D 2/002;
A45D 7/02; A45D 20/48

See application file for complete search history.

(56) **References Cited**

U.S. PATENT DOCUMENTS

D46,240 S * 8/1914 Williams D24/211
1,326,265 A * 12/1919 Hobbs A47K 7/03
401/201

(Continued)

FOREIGN PATENT DOCUMENTS

CN 304555985 * 3/2018
CN 304914572 * 11/2018

(Continued)

OTHER PUBLICATIONS

Deep Pores Cleansing Makeup Pigment Removal Sonic Vibration
Silicone Electric Facial Cleaner Brush Machine Beauty Massager
by Haodaxin Technology Co., Ltd. [on-line]. [Original publication
date unknown.] [Retrieved from the Internet Mar. 13, 2021.] URL:
(Year: 2021) >https://www.alibaba.com/product-detail/Deep-Pores-Cleansing-Makeup-Pigment-Removal_60806518280.html?spm=a2700.galleryofferlist.normal_offer.d_title.539b25b41tWR6A< (Year:
2021).*

(Continued)

Primary Examiner — Karen E Eldridge Powers

(57) **CLAIM**

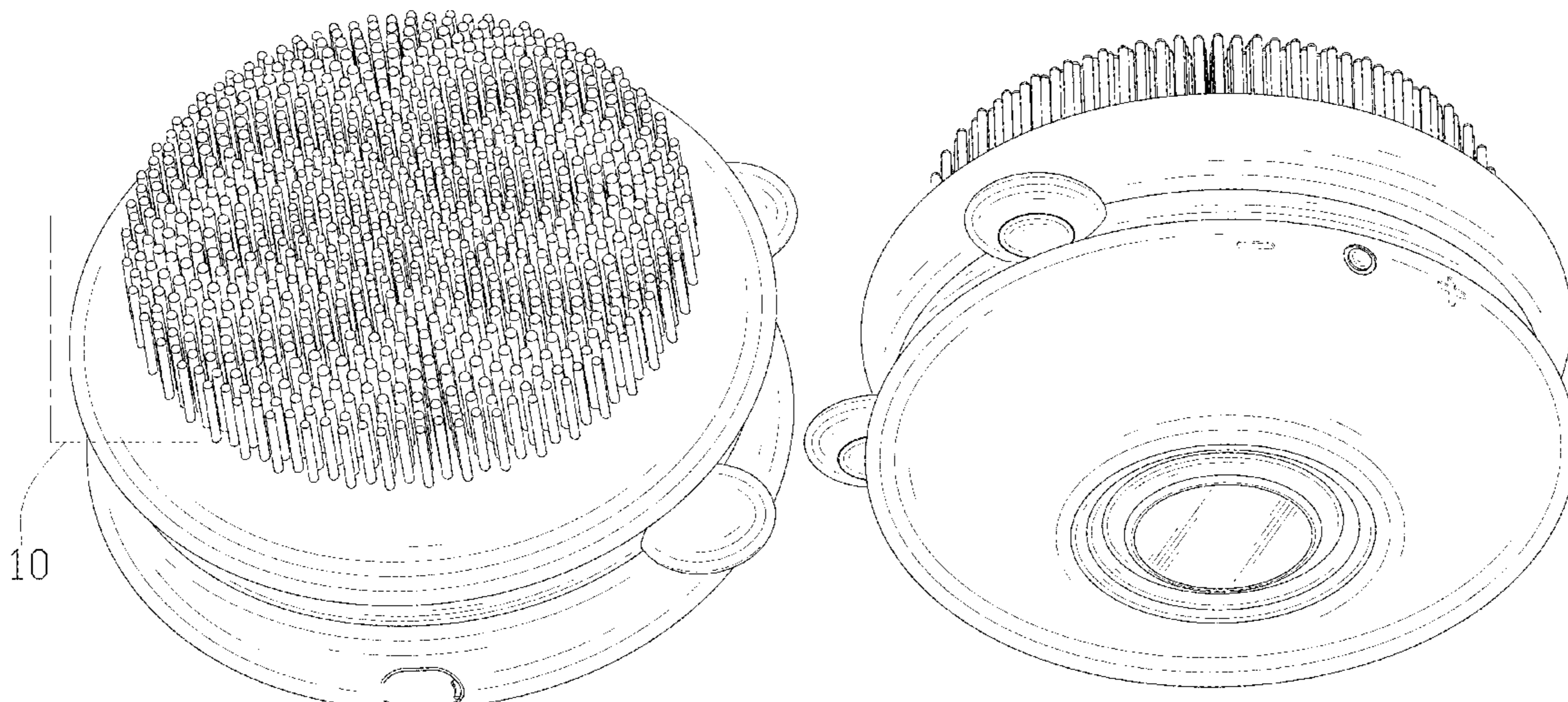
The ornamental design for a cleaning brush, as shown and
described.

DESCRIPTION

FIG. 1 is a rear and left-side perspective view of a cleaning
brush showing my new design;
FIG. 2 is a top, front and right-side perspective view thereof;
FIG. 3 is a front elevational view thereof;
FIG. 4 is a rear elevational view thereof;
FIG. 5 is a left side elevational view thereof;
FIG. 6 is a right side elevational view thereof;
FIG. 7 is a top plan view thereof;
FIG. 8 is a bottom plan view thereof;
FIG. 9 is a second top, front and right-side perspective view
thereof, wherein the cleaning brush is rotated about a
half-turn about the vertical axis from the position shown in
FIG. 2; and,
FIG. 10 is an enlarged view of the encircled portion 10 of
FIG. 1.

The broken lines in the drawings are for the purpose of
illustrating portions of the cleaning brush that form no part
of the claimed design.

1 Claim, 10 Drawing Sheets



(56)

References Cited

U.S. PATENT DOCUMENTS

2,090,050 A * 8/1937 Jackson A61H 7/003
601/154
2,408,860 A * 10/1946 Lindblad A47K 7/03
15/244.1
2,448,846 A * 9/1948 Trochim A61H 7/003
601/154
4,469,094 A * 9/1984 Kaeser A61H 7/003
601/154
D505,749 S * 5/2005 Angeletta D28/7
D514,328 S * 2/2006 Huang D24/211
D795,593 S * 8/2017 Huang D4/127
D797,461 S * 9/2017 Dandridge D4/127
D804,189 S * 12/2017 von Berg D4/100
D816,342 S * 5/2018 Tai D4/100
D883,575 S * 5/2020 Liu D28/63
D889,850 S * 7/2020 Rybacek D4/116
D902,491 S * 11/2020 de la Cruz D28/63

FOREIGN PATENT DOCUMENTS

CN 305462605 * 11/2019
CN 305673972 * 3/2020
EM 005835360-0001 * 1/2019
GB 6088620 * 5/2020

OTHER PUBLICATIONS

New Beauty Input Equipment Facial Beauty Device Facial Cleaner Facial Brush With 4 Lightwave Therapy Face Massager by Shanghai GESS Fitness Equipment Co., Ltd. [on-line]. [Original publication date unknown.] [Retrieved from the Internet Mar. 31, 2021.] URL: (Year: 2021) >https://www.alibaba.com/product-detail/New-Beauty-Input-Equipment-Facial-Beauty_1600201887385.html?spm=a2700.galleryofferlist.normal_offer.d%E2%80%A6 (Year: 2021).*

2020 Wholesale Waterproof Mini Vibration Rechargeable Silicone Deep Pore Face Cleaning Sonic Electric Facial Cleaning Brush by Shenzhen Yashicoral Technology Co., Ltd. [Original publication date unknown.] [Retrieved from the Internet Mar. 13, 2021.] URL: (Year: 2021) >https://www.alibaba.com/product-detail/2020-Wholesale-Waterproof-Mini-Vibration-Rechargeable_62548733345.html?spm=a2700.galleryofferlist.normal_offer.d_title.539b25b41tWR6A (Year: 2021).*

* cited by examiner

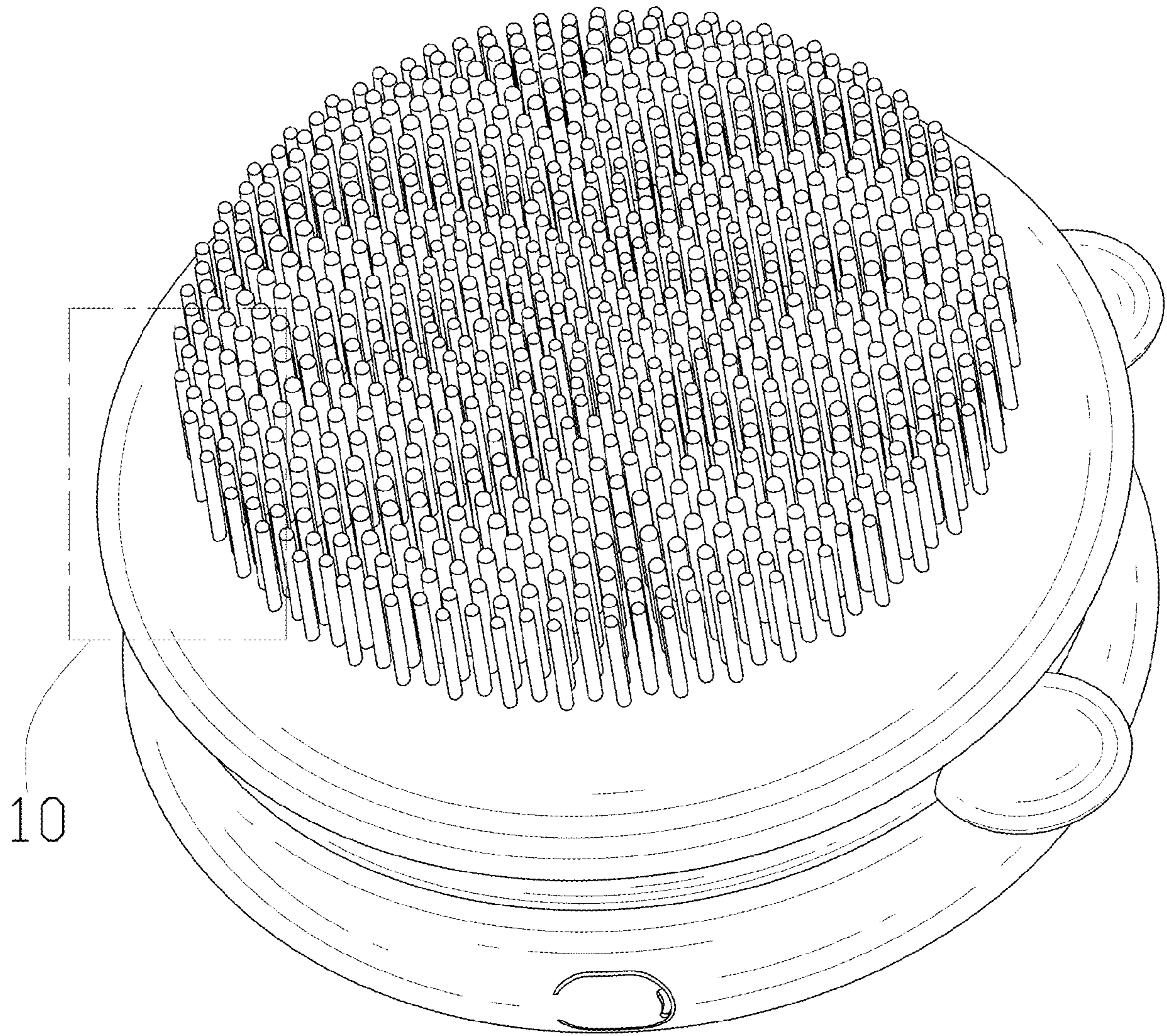


FIG. 1

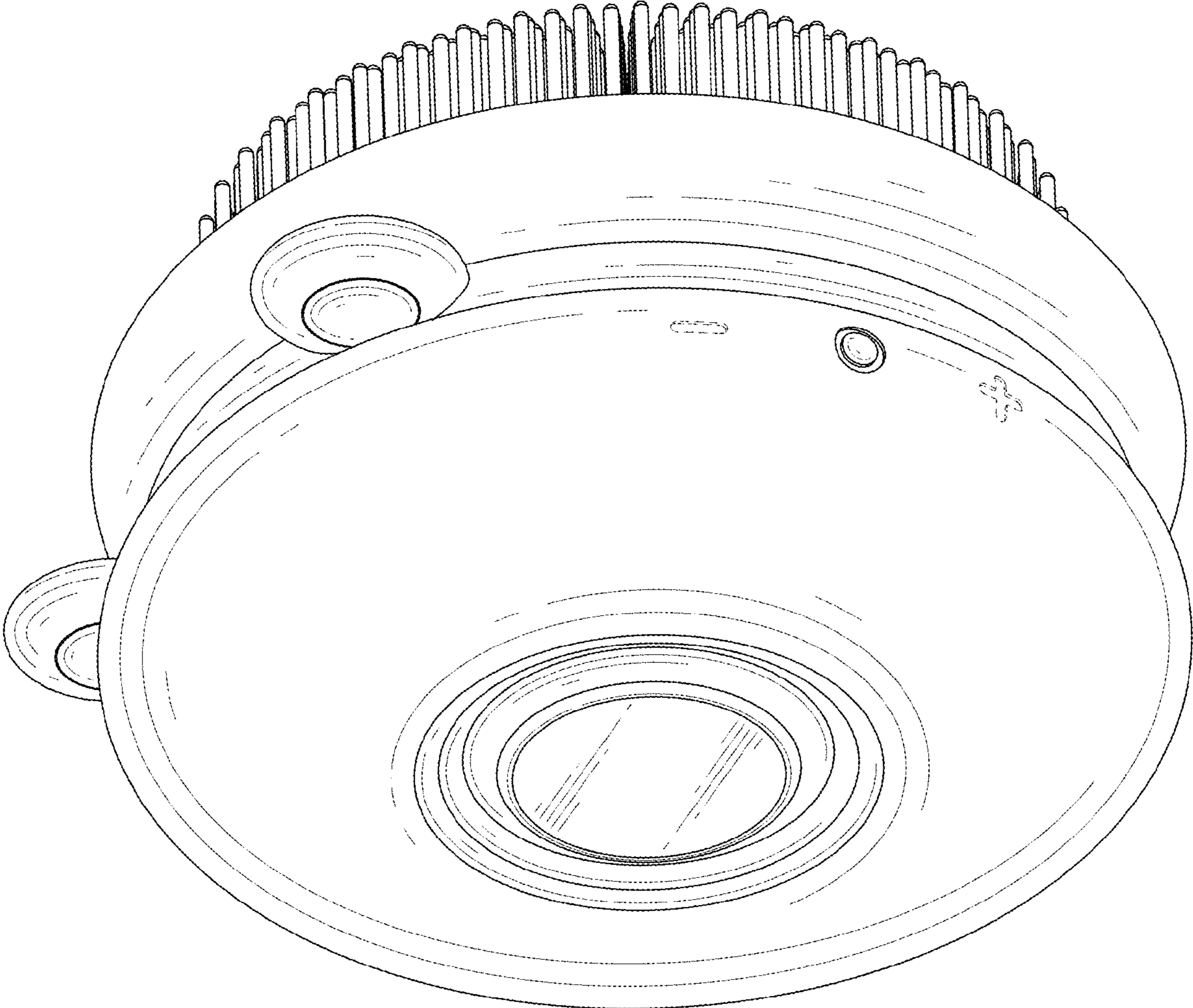


FIG. 2

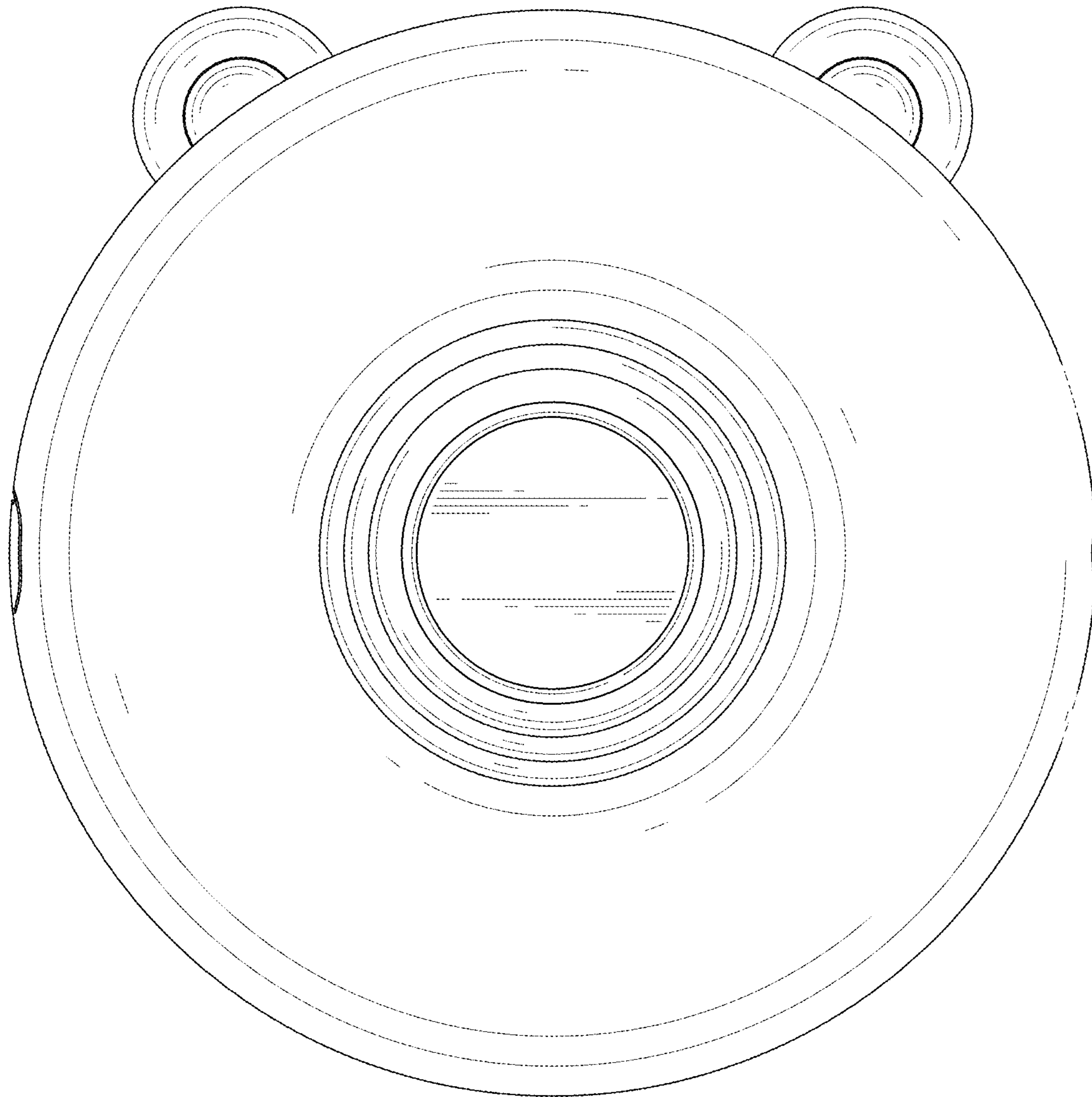


FIG. 3

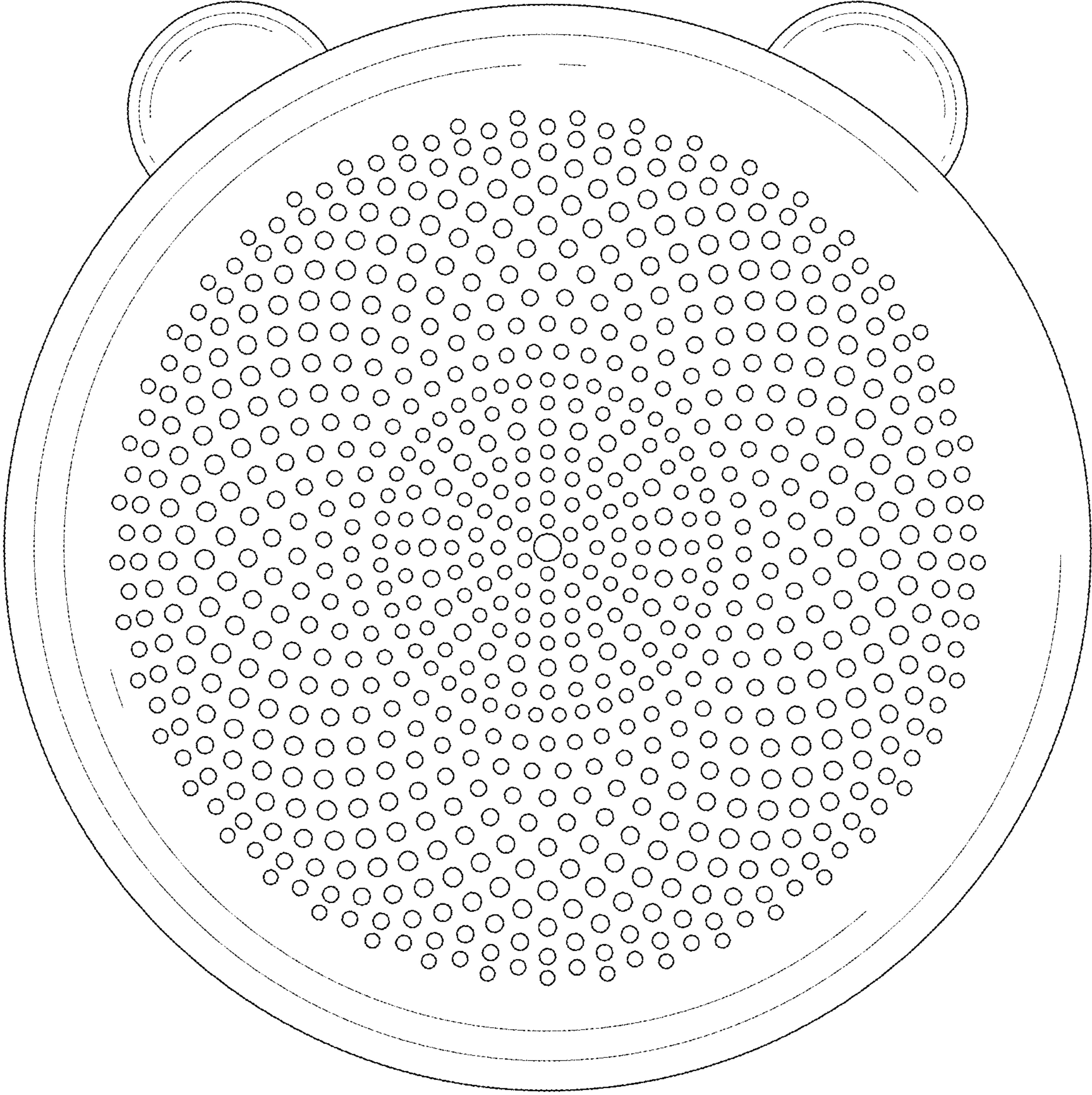


FIG. 4

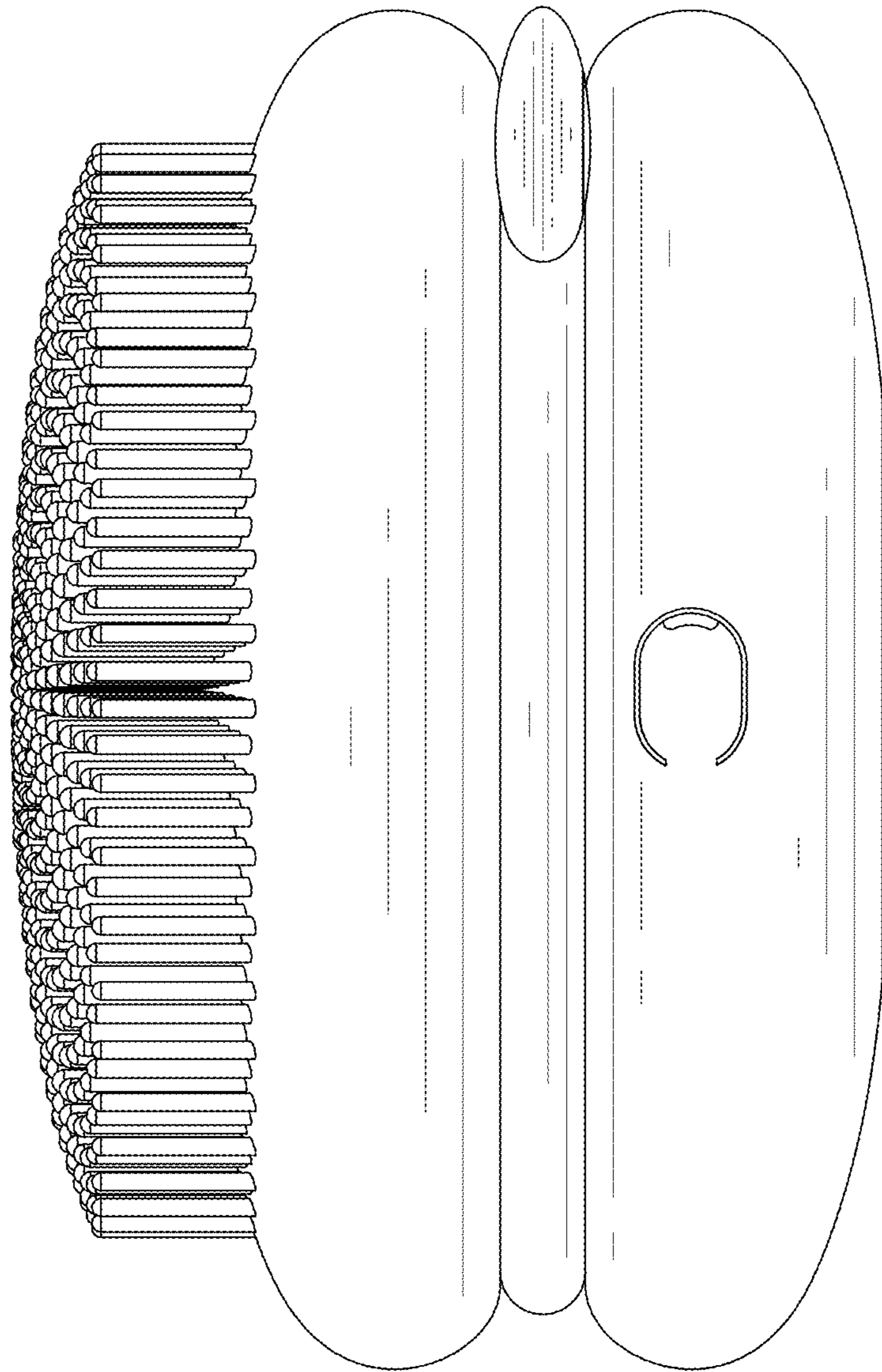


FIG. 5

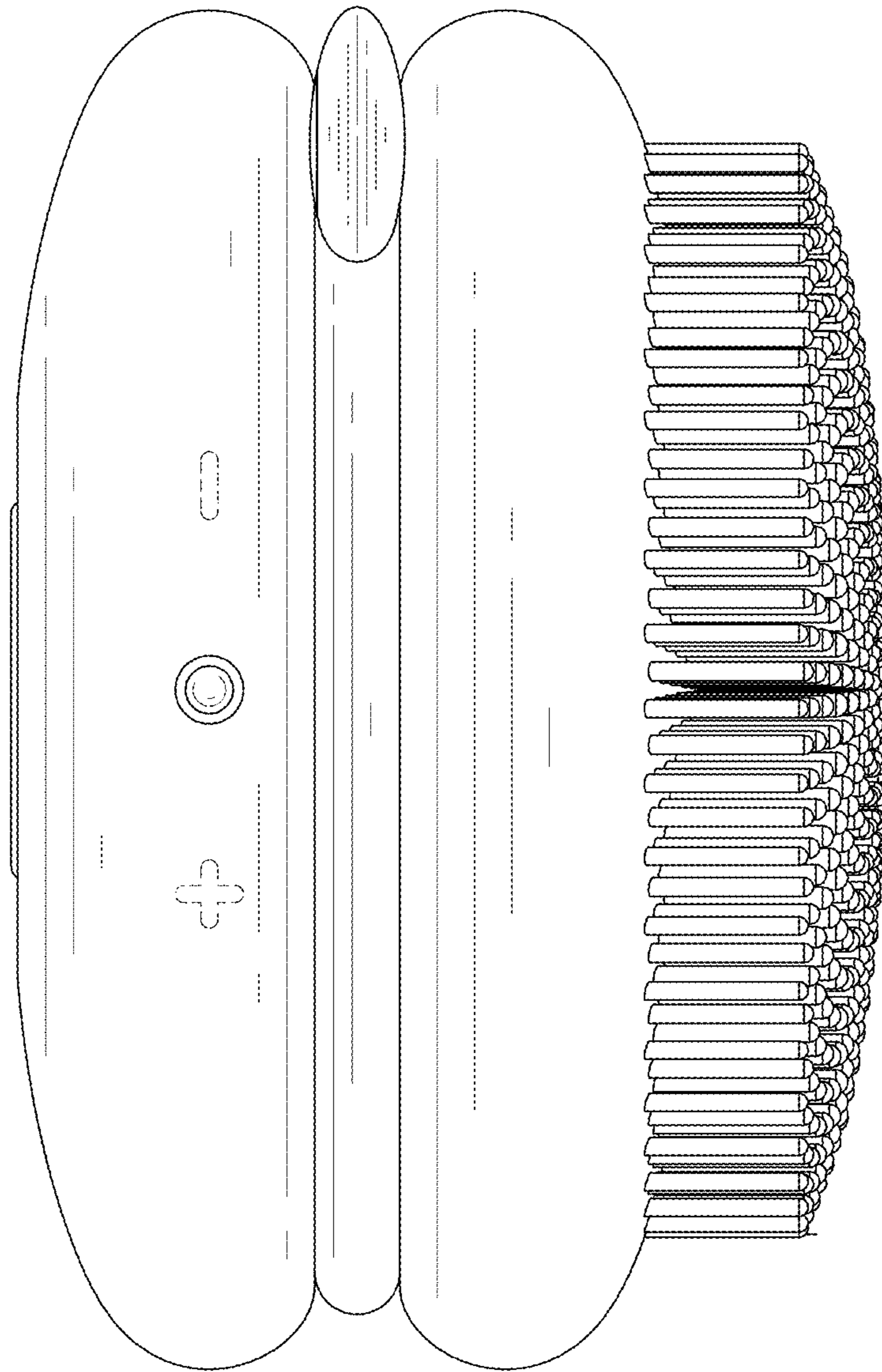


FIG. 6

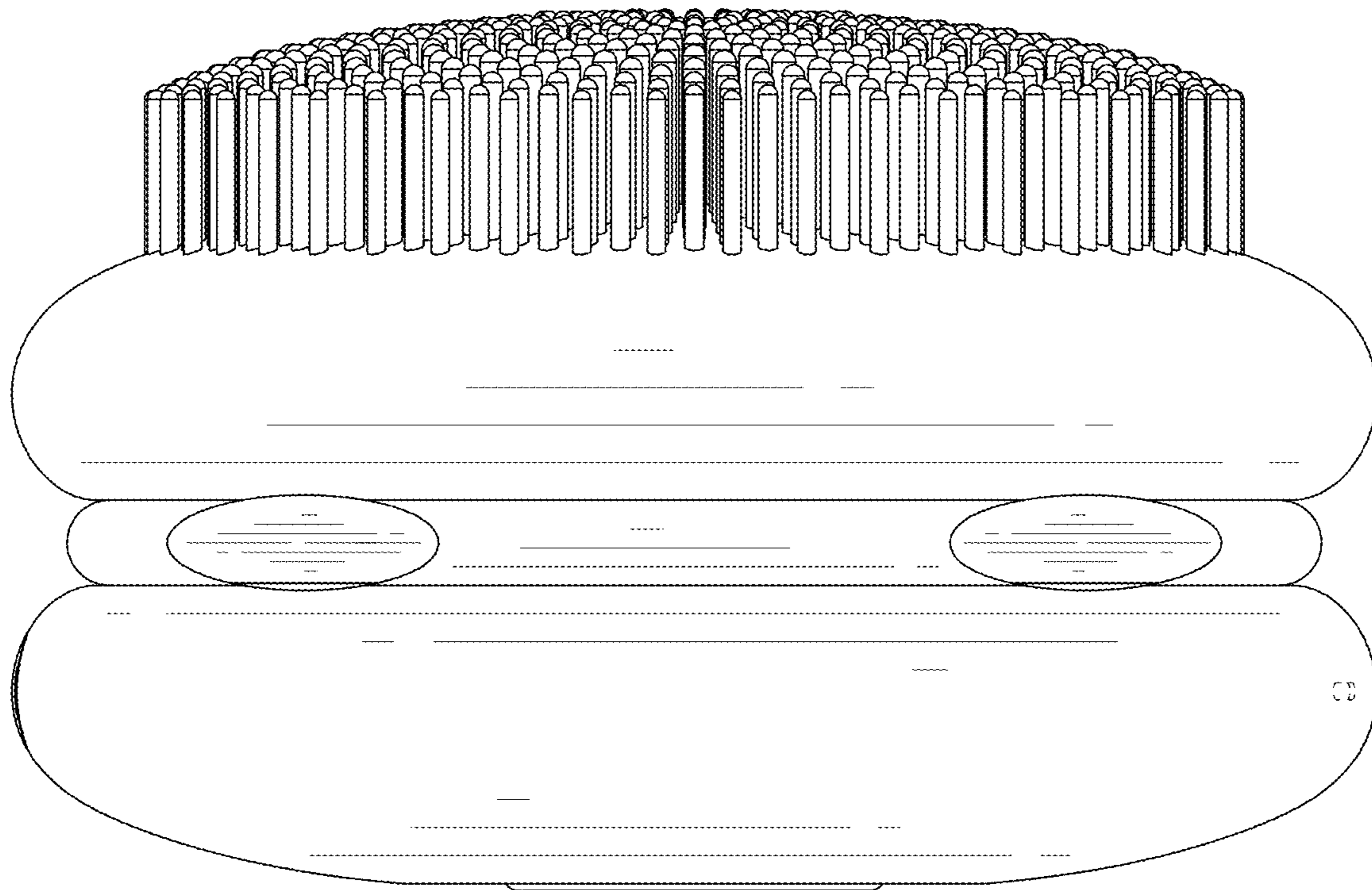


FIG. 7

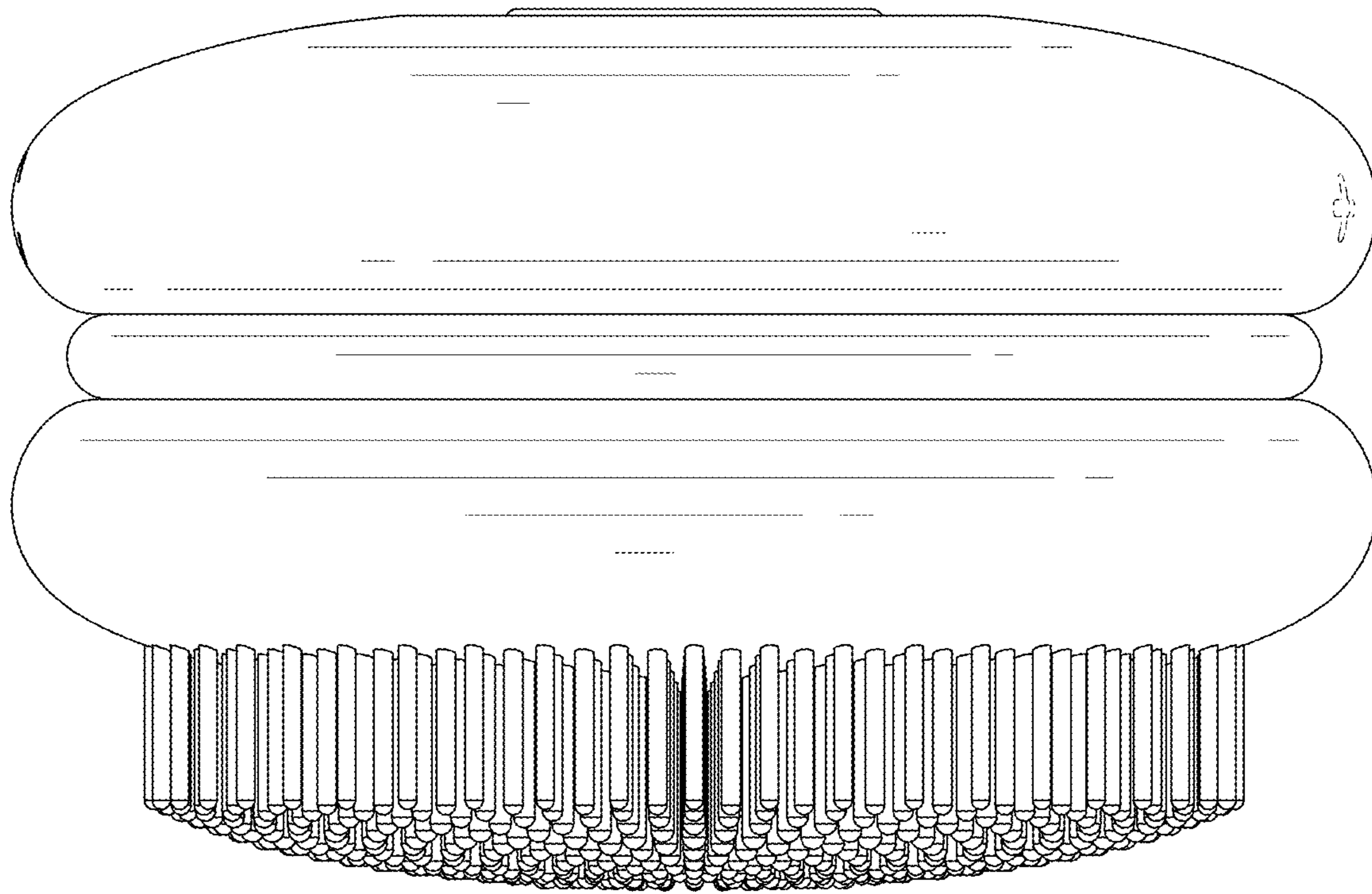


FIG. 8

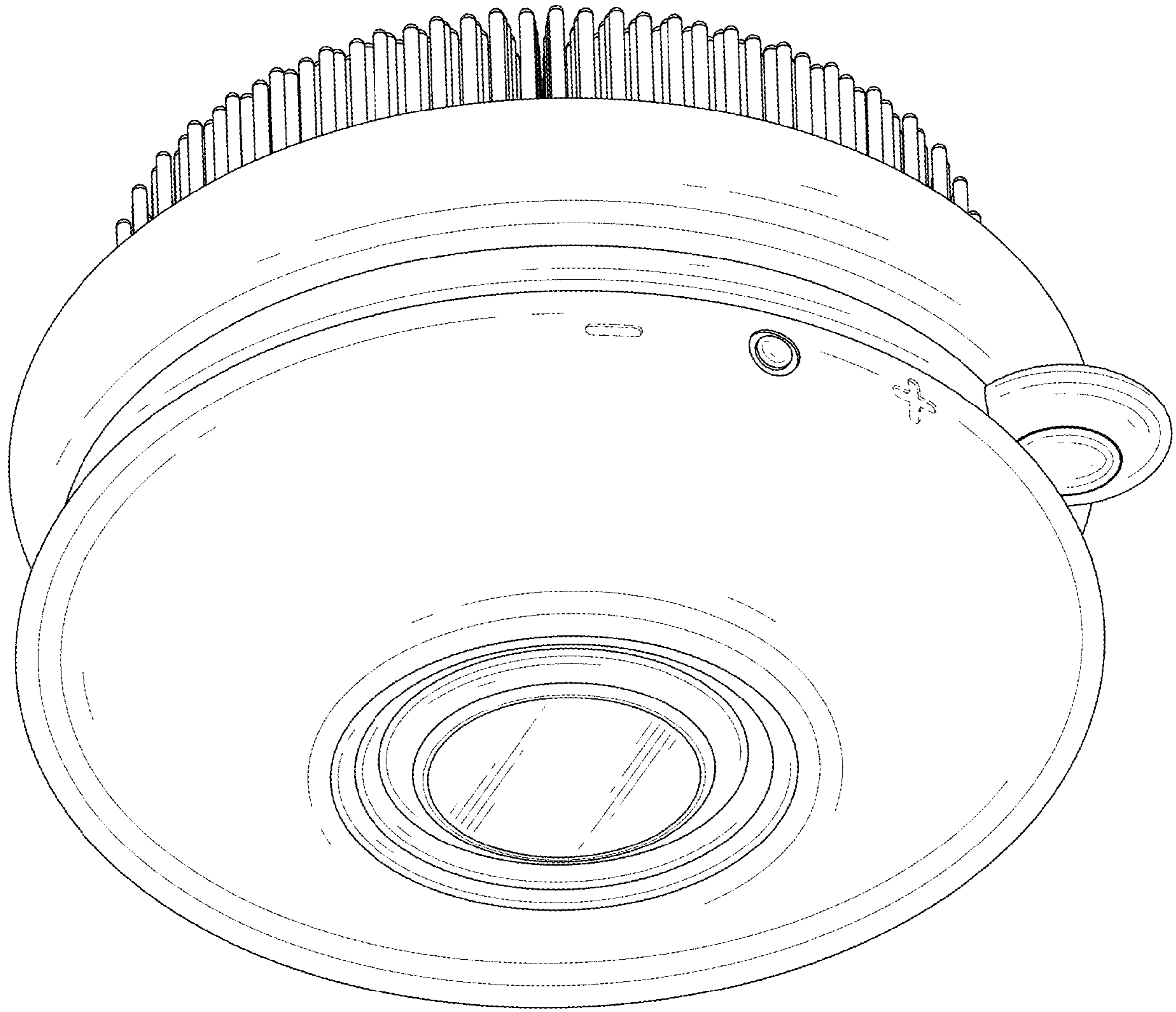


FIG. 9

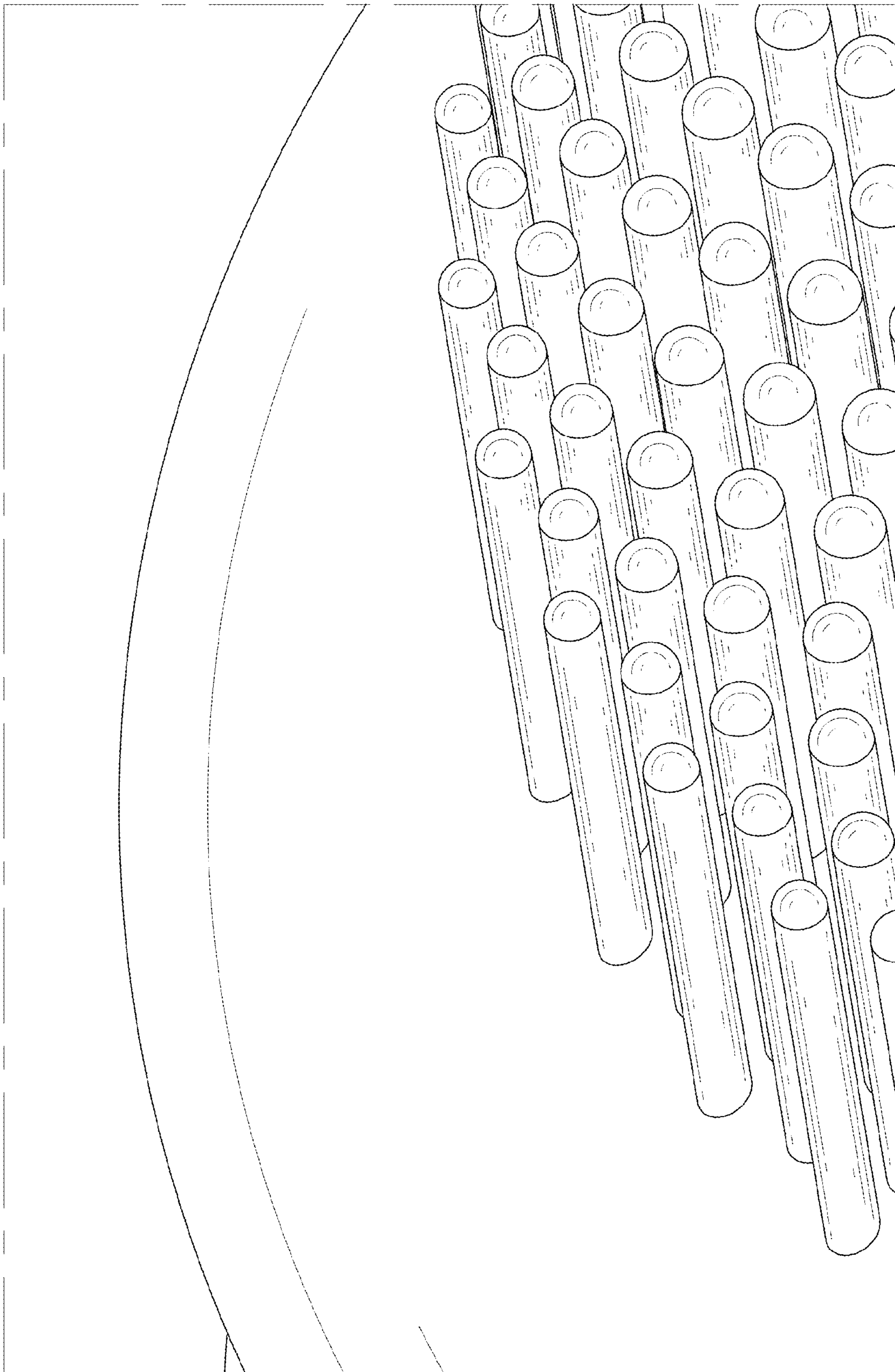


FIG. 10