



US00D923338S

(12) **United States Design Patent**  
**Abadía et al.**

(10) **Patent No.:** **US D923,338 S**  
(45) **Date of Patent:** **\*\* Jun. 29, 2021**

(54) **STORAGE BOX**

(71) Applicant: **ARAVEN, S.L.**, Villanueva de Gállego (ES)

(72) Inventors: **Javier Villanova Abadía**, Villanueva de Gállego (ES); **Raúl Purroy Lasheras**, Villanueva de Gállego (ES); **Alejandro Olmos Aquilué**, Villanueva de Gállego (ES); **Manuel Rodríguez Esteban**, Villanueva de Gállego (ES)

(73) Assignee: **Araven, S.L.**, Villanueva de Gállego (ES)

(\*\*) Term: **15 Years**

(21) Appl. No.: **29/726,609**

(22) Filed: **Mar. 4, 2020**

(30) **Foreign Application Priority Data**

Sep. 4, 2019 (EM) ..... 006813184

(51) **LOC (13) Cl.** ..... **09-04**

(52) **U.S. Cl.**  
USPC ..... **D3/307**; D3/304; D3/314

(58) **Field of Classification Search**  
USPC ..... D3/272, 304–315, 318–319, 321, D3/901–902; D6/672–673, 675, 675.1, D6/683, 683.1; D7/600, 600.1; D15/89; D34/17, 24  
CPC ... B65D 1/00; B65D 1/22; B65D 1/24; B65D 1/34; B65D 1/36; B65D 1/38; B65D 1/225; B65D 1/243; B65D 5/00; B65D 5/42;

(Continued)

(56) **References Cited**

**U.S. PATENT DOCUMENTS**

D246,872 S \* 1/1978 White ..... D3/304  
D320,298 S \* 9/1991 Apps ..... D3/312

(Continued)

**OTHER PUBLICATIONS**

GN 2/1 70 L./18 Gal. Food Box, unknown first available date, hosteleria.araven.com [online], [site visited Mar. 18, 2021], Available at internet URL: <https://hosteleria.araven.com/en/product/gn-21-h300-mm11-34-70-118-gal-hdpe-food-box.html> (Year: 2021).\*

(Continued)

*Primary Examiner* — Jeffrey D Asch

*Assistant Examiner* — Caitlin Ann Laverty

(74) *Attorney, Agent, or Firm* — Amster, Rothstein & Ebenstein LLP

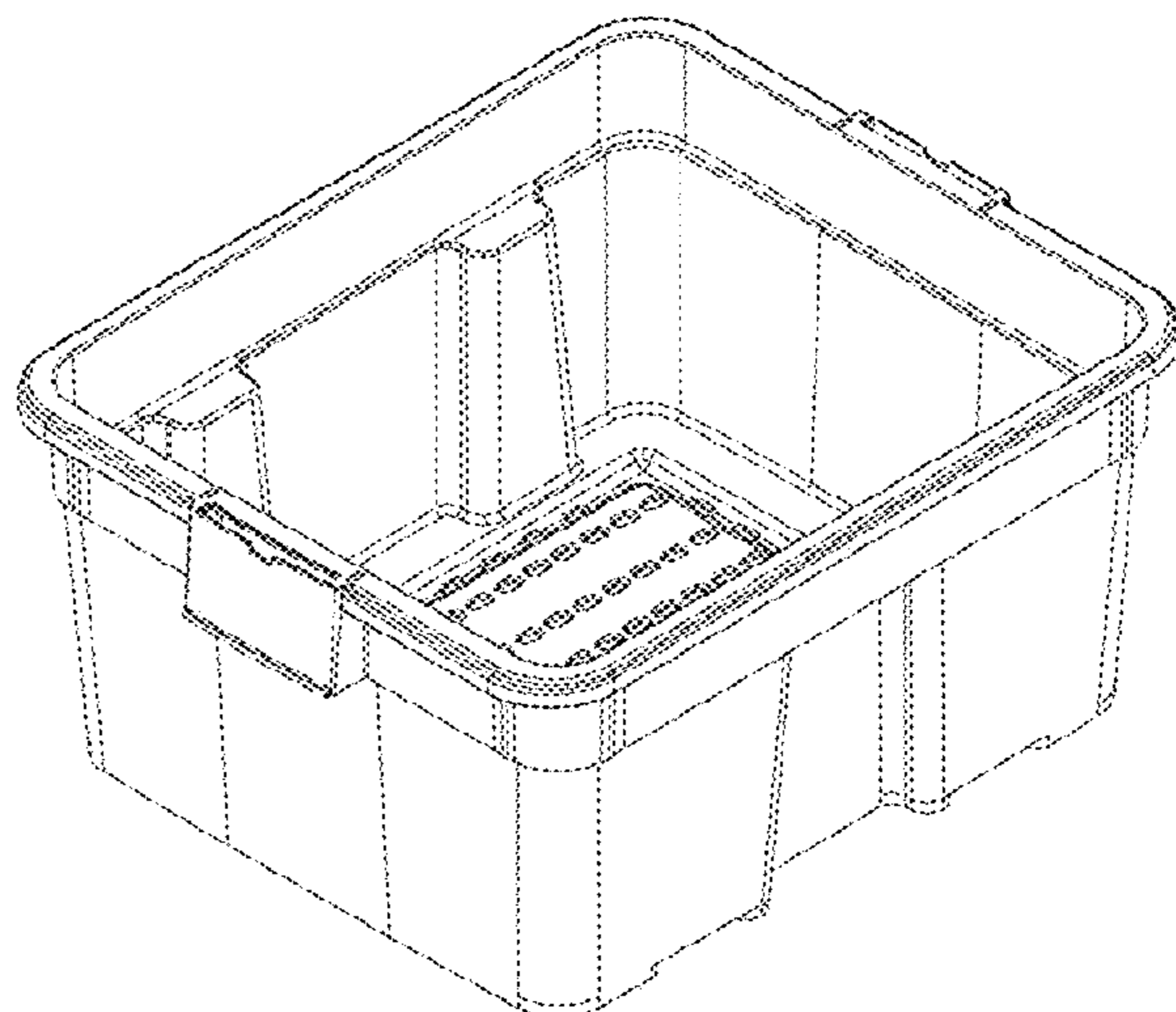
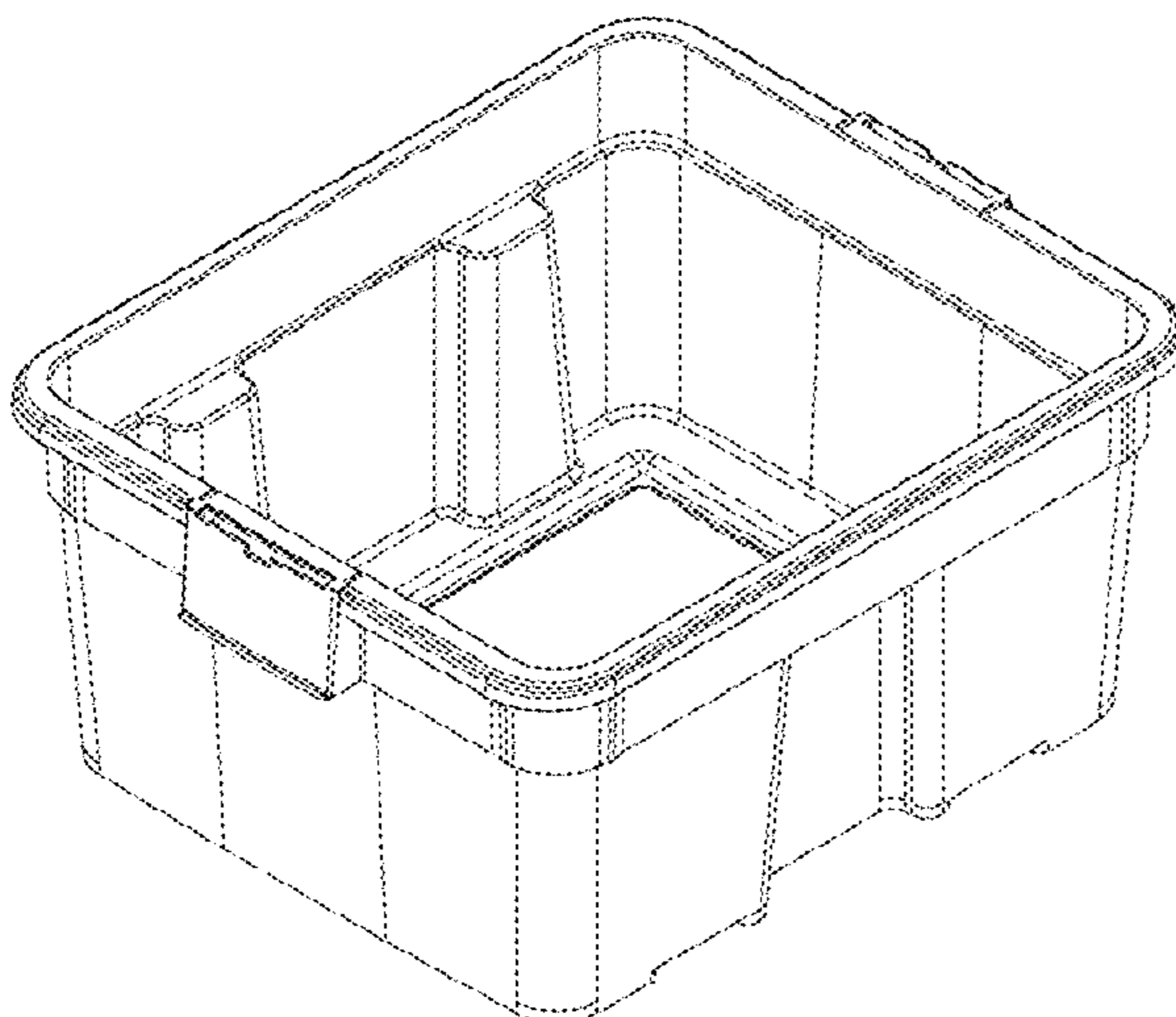
(57) **CLAIM**

The ornamental design for a storage box, as shown and described.

**DESCRIPTION**

FIG. 1 is a top perspective view of a storage box showing our new design;  
FIG. 2 is a front view thereof;  
FIG. 3 is a top view thereof;  
FIG. 4 is a side view thereof;  
FIG. 5 is a rear view thereof;  
FIG. 6 is a bottom view thereof;  
FIG. 7 is an opposite side view thereof;  
FIG. 8 is a bottom perspective view thereof;  
FIG. 9 is an inverted top perspective view thereof;  
FIG. 10 is a top perspective view of another embodiment of a storage box showing our new design;  
FIG. 11 is a front view thereof;  
FIG. 12 is a top view thereof;  
FIG. 13 is a side view thereof;  
FIG. 14 is a rear view thereof;  
FIG. 15 is a bottom view thereof;  
FIG. 16 is an opposite side view thereof;  
FIG. 17 is a bottom perspective view thereof; and,  
FIG. 18 is an inverted top perspective view thereof.

**1 Claim, 18 Drawing Sheets**



(58) **Field of Classification Search**

CPC ..... B65D 7/14; B65D 11/00; B65D 11/14;  
 B65D 11/20; B65D 19/00; B65D 19/02;  
 B65D 21/00; B65D 21/02; B65D 43/162;  
 B65D 71/0003; B65D 81/3813; B65D  
 81/02; B65D 2543/00194; B65D  
 2543/00296; B65D 2543/00222

See application file for complete search history.

D881,576 S \* 4/2020 Reinhart ..... D3/318  
 2007/0235460 A1\* 10/2007 Killinger ..... B65D 43/0222  
 220/675  
 2019/0023464 A1\* 1/2019 Ogilvie ..... A47J 47/10  
 2019/0092524 A1\* 3/2019 Reinhart ..... B65D 21/0215  
 2021/0031964 A1\* 2/2021 Reinhart ..... B65D 1/22  
 2021/0070506 A1\* 3/2021 McElveen, II ..... B65D 1/22

(56) **References Cited**

U.S. PATENT DOCUMENTS

D326,345 S \* 5/1992 Mandell ..... D3/312  
 D356,256 S \* 3/1995 Romanoff ..... D3/282  
 D374,555 S \* 10/1996 McMath ..... D3/272  
 D382,112 S \* 8/1997 Egan ..... D3/273  
 D420,799 S \* 2/2000 Douglas ..... D3/304  
 D549,454 S \* 8/2007 Åhman ..... D3/304  
 D596,857 S \* 7/2009 Ahlgrim ..... D3/307  
 D762,387 S \* 8/2016 Green ..... D3/304  
 D832,577 S \* 11/2018 Ogilvie ..... D3/304  
 D834,315 S \* 11/2018 Reinhart ..... D3/312

OTHER PUBLICATIONS

Vollrath 52619 Silverware Soak System, unknown first available date, centralrestaurant.com [online], [site visited Mar. 23, 2021], Available at internet URL: <https://www.centralrestaurant.com/Silverware-Soak-System-c250p1881.html> (Year: 2021).  
 Tablecraft DBF1529 White 21 1/4"x15 3/4"x5" Perforated Plastic Freezer Safe Drain Box, unknown first available date, webstaurantstore.com [online], [site visited Mar. 23, 2021], Available at internet URL: <https://www.webstaurantstore.com/tablecraft-dbf1529-white-21-x-16-x-5-perforated-plastic-freezer-safe-drain-box/808DBF1529.html> (Year: 2021).\*

\* cited by examiner

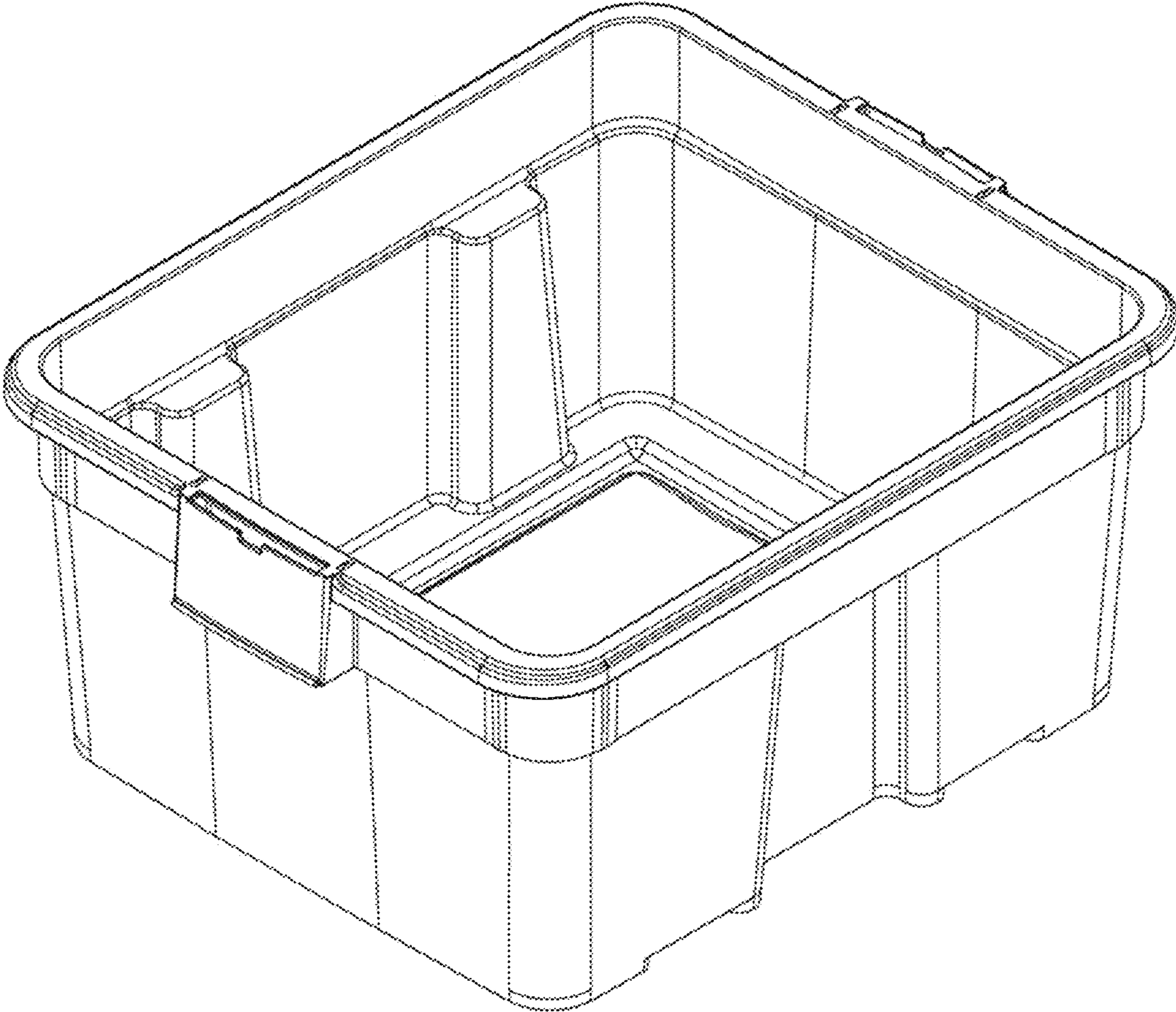


FIG. 1

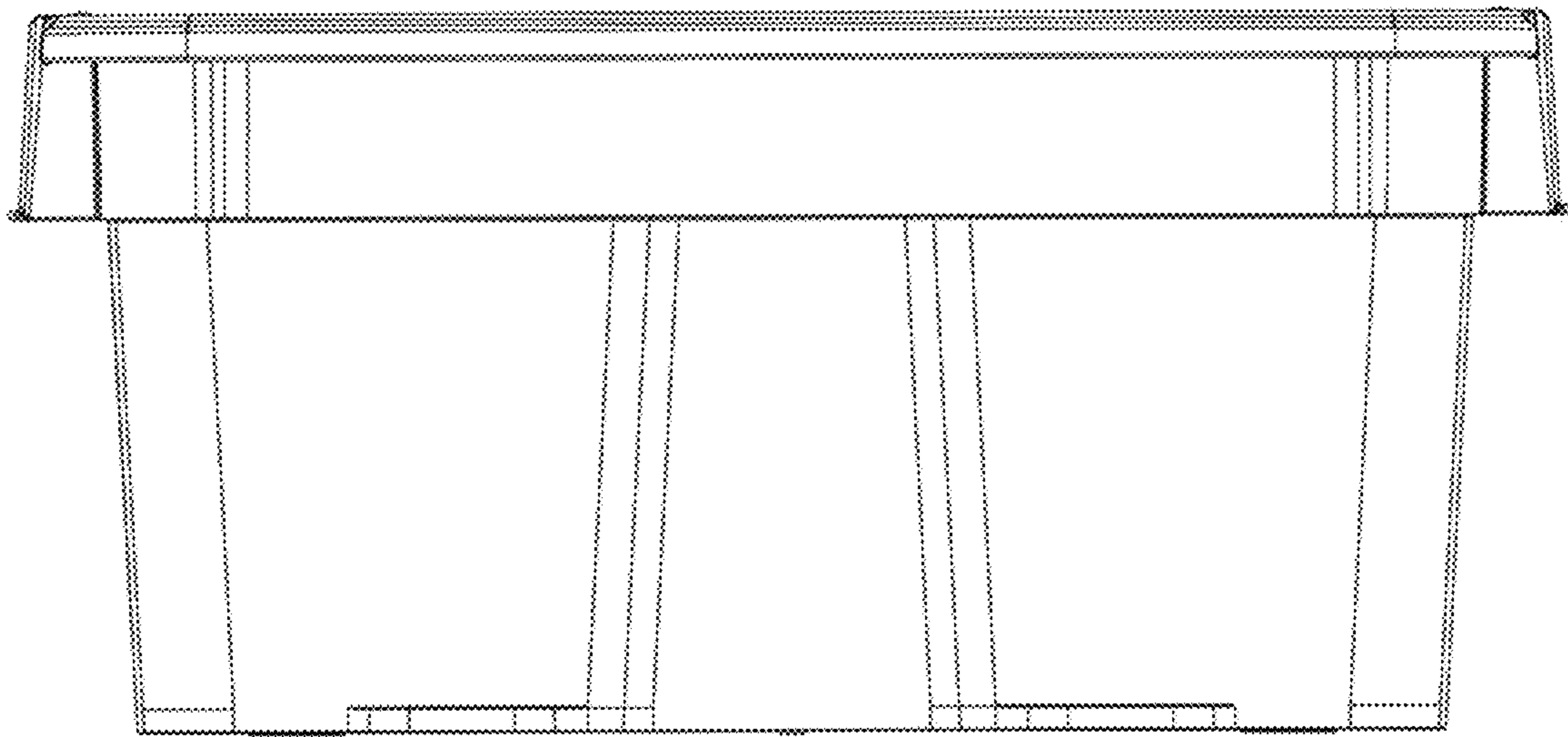


FIG. 2

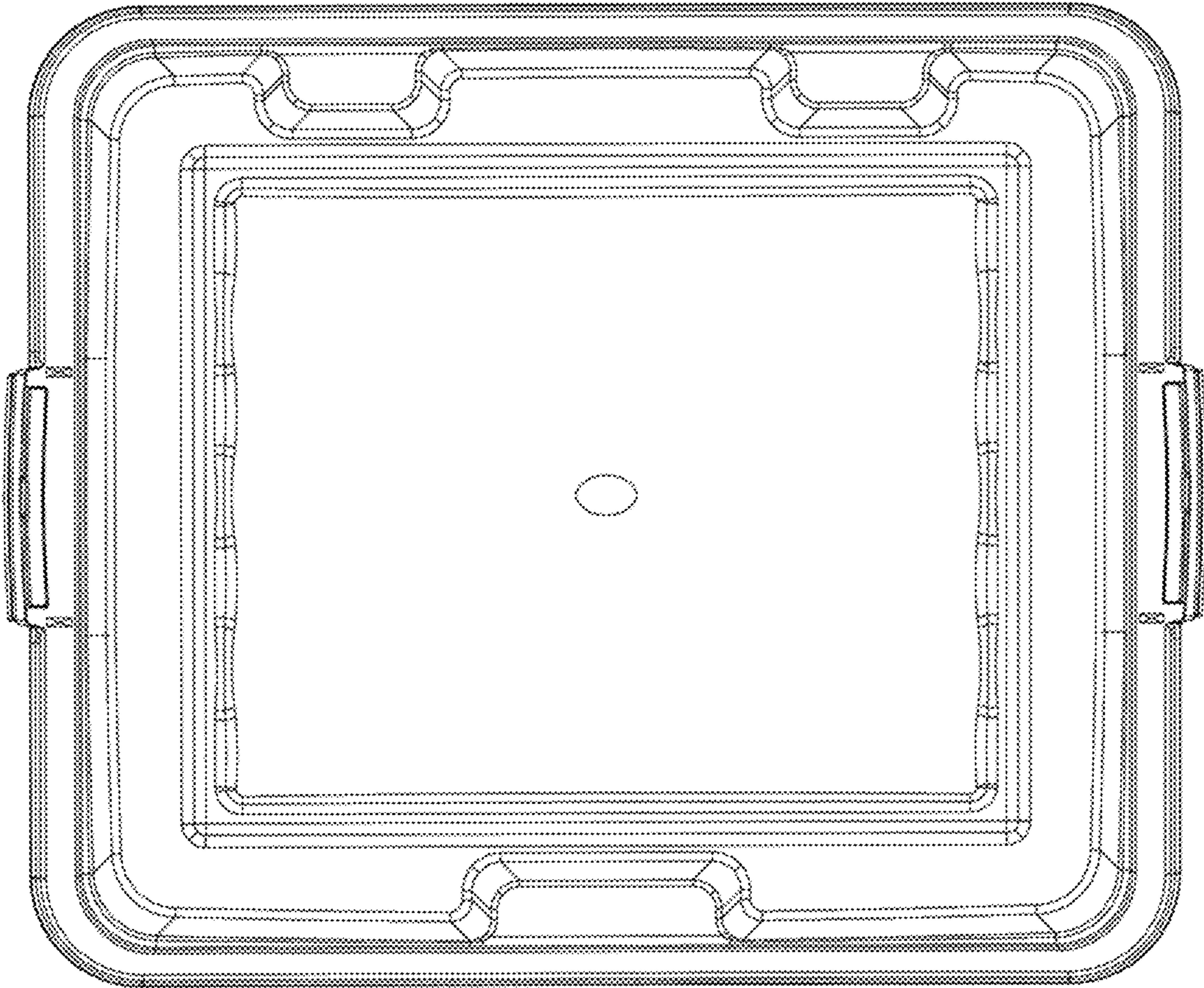


FIG. 3

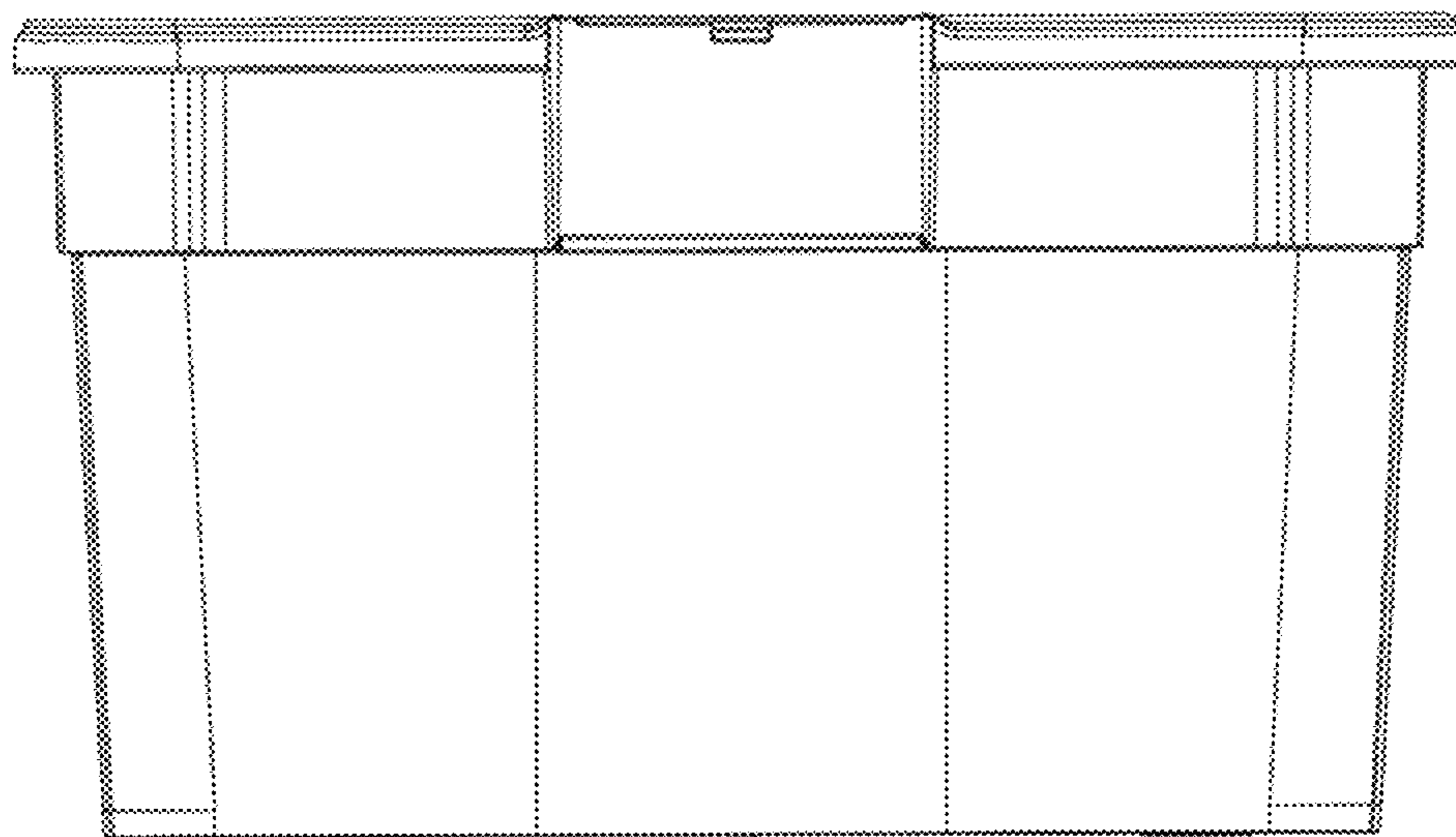


FIG. 4

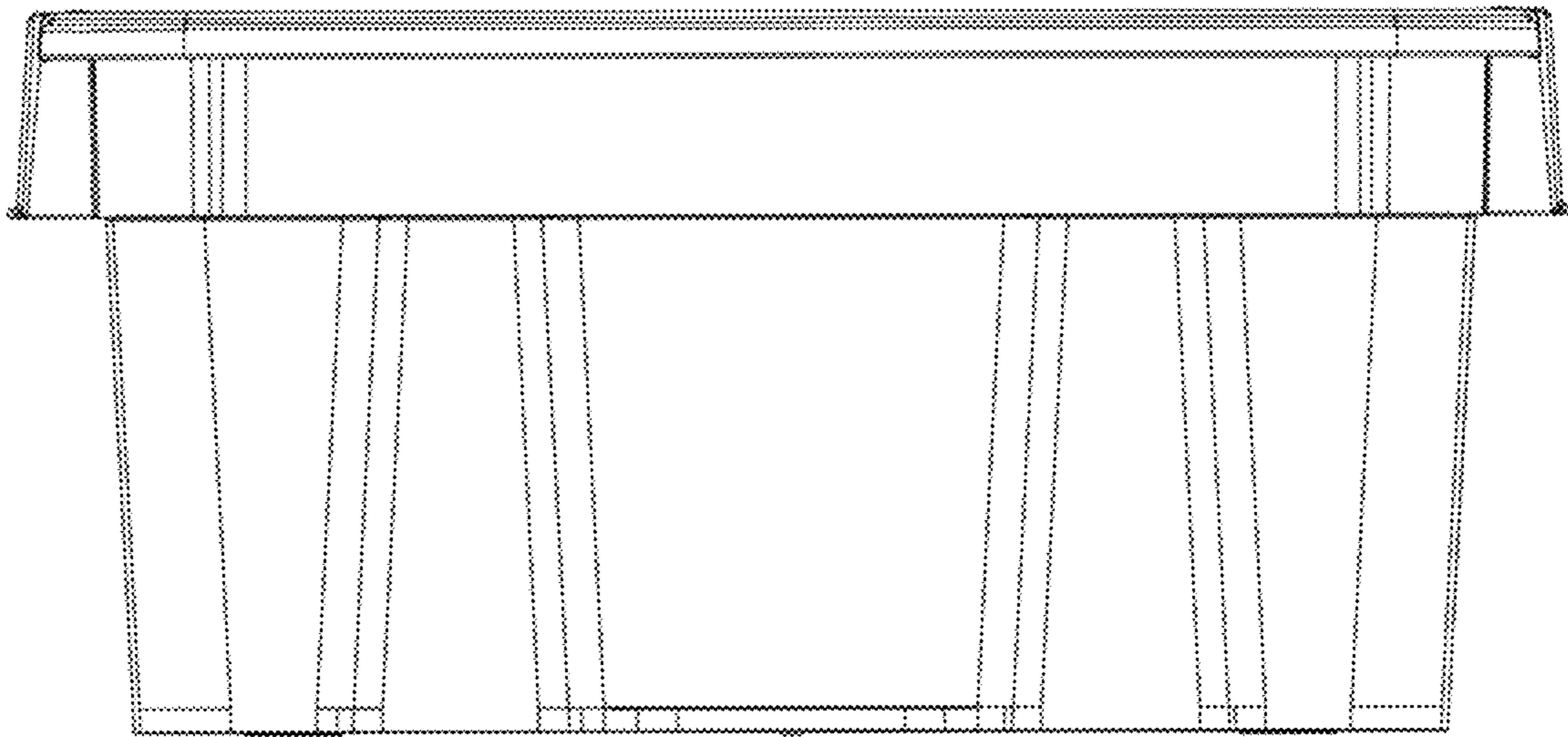


FIG. 5

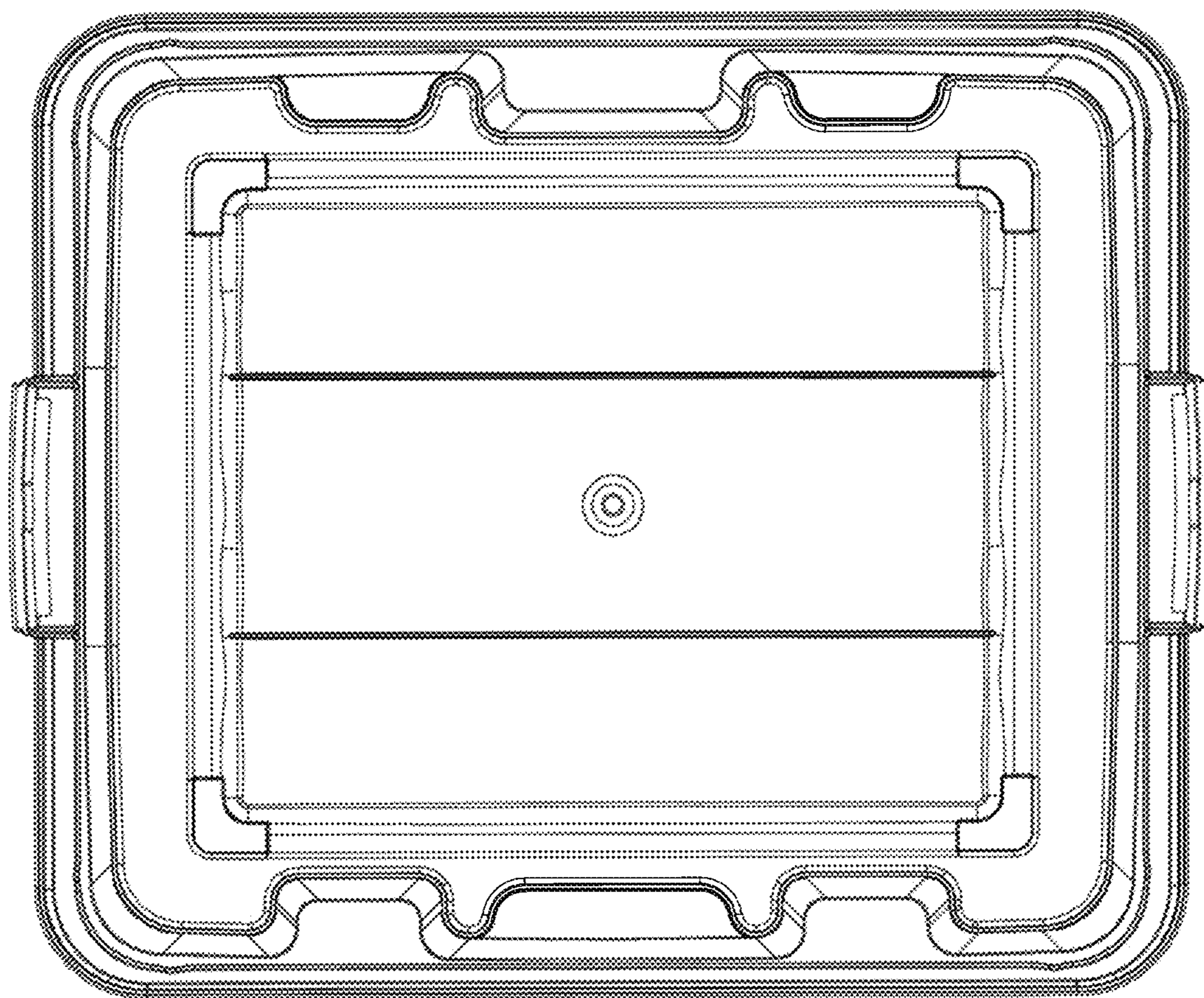


FIG. 6



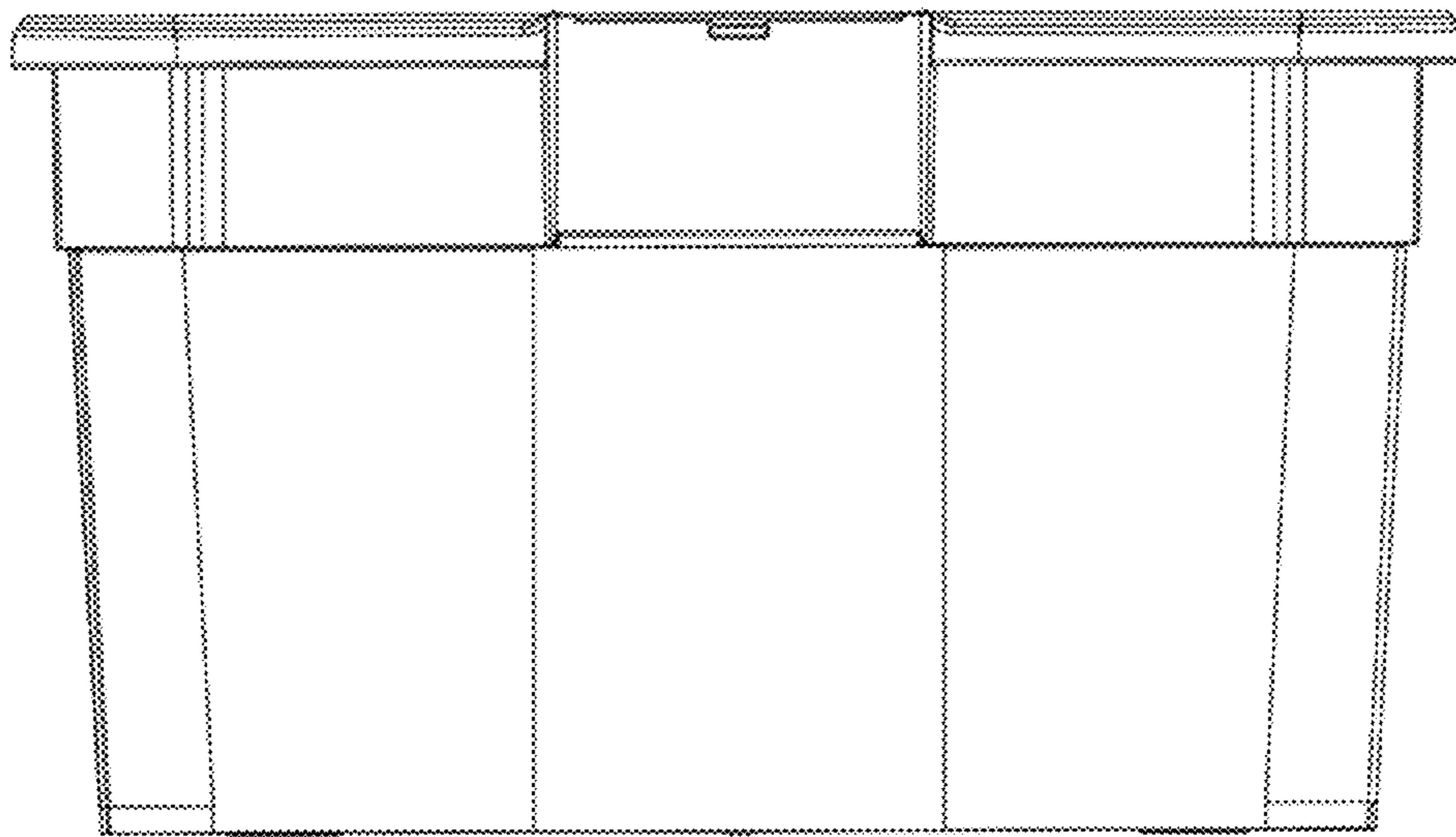


FIG. 7

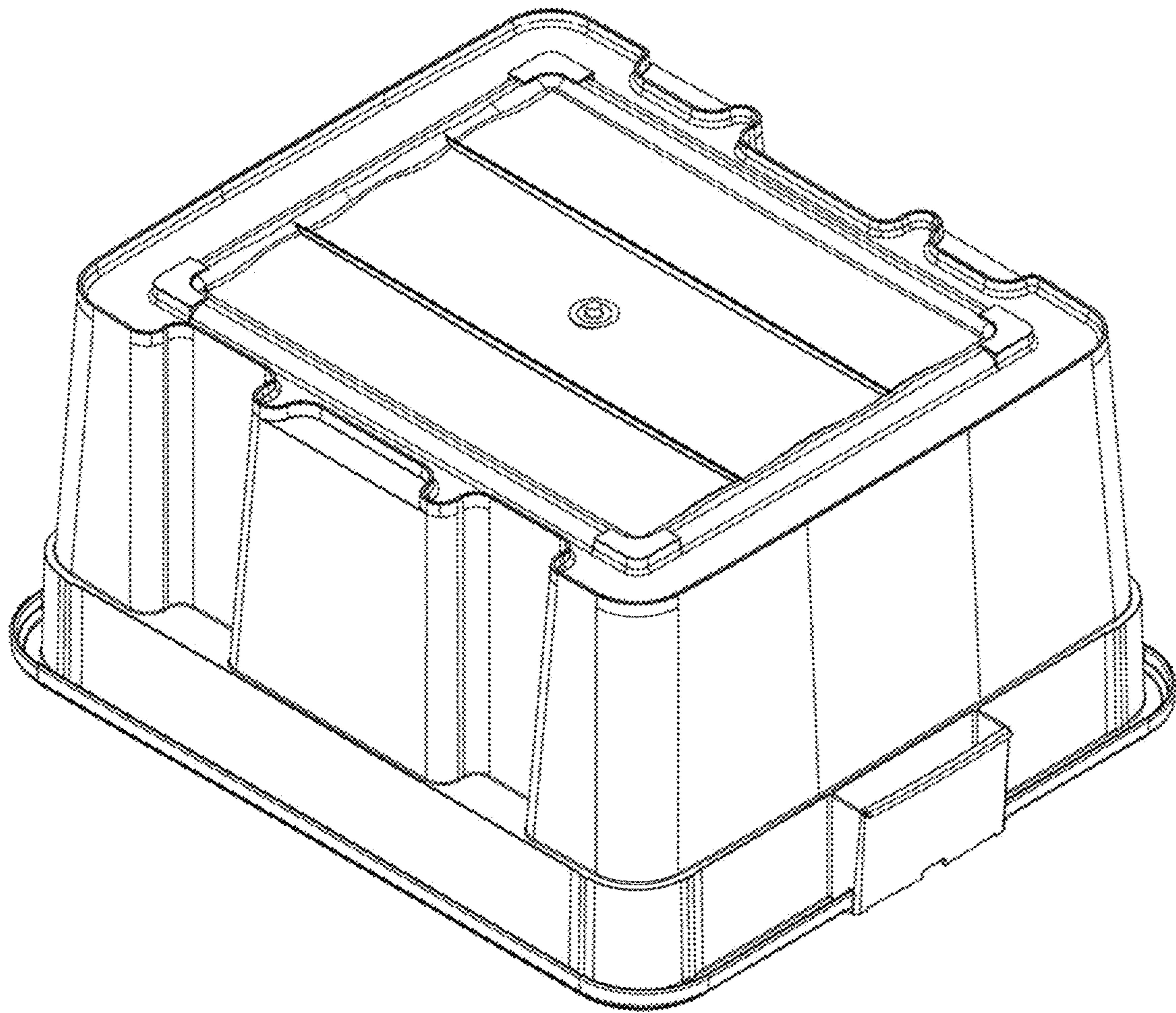


FIG. 8

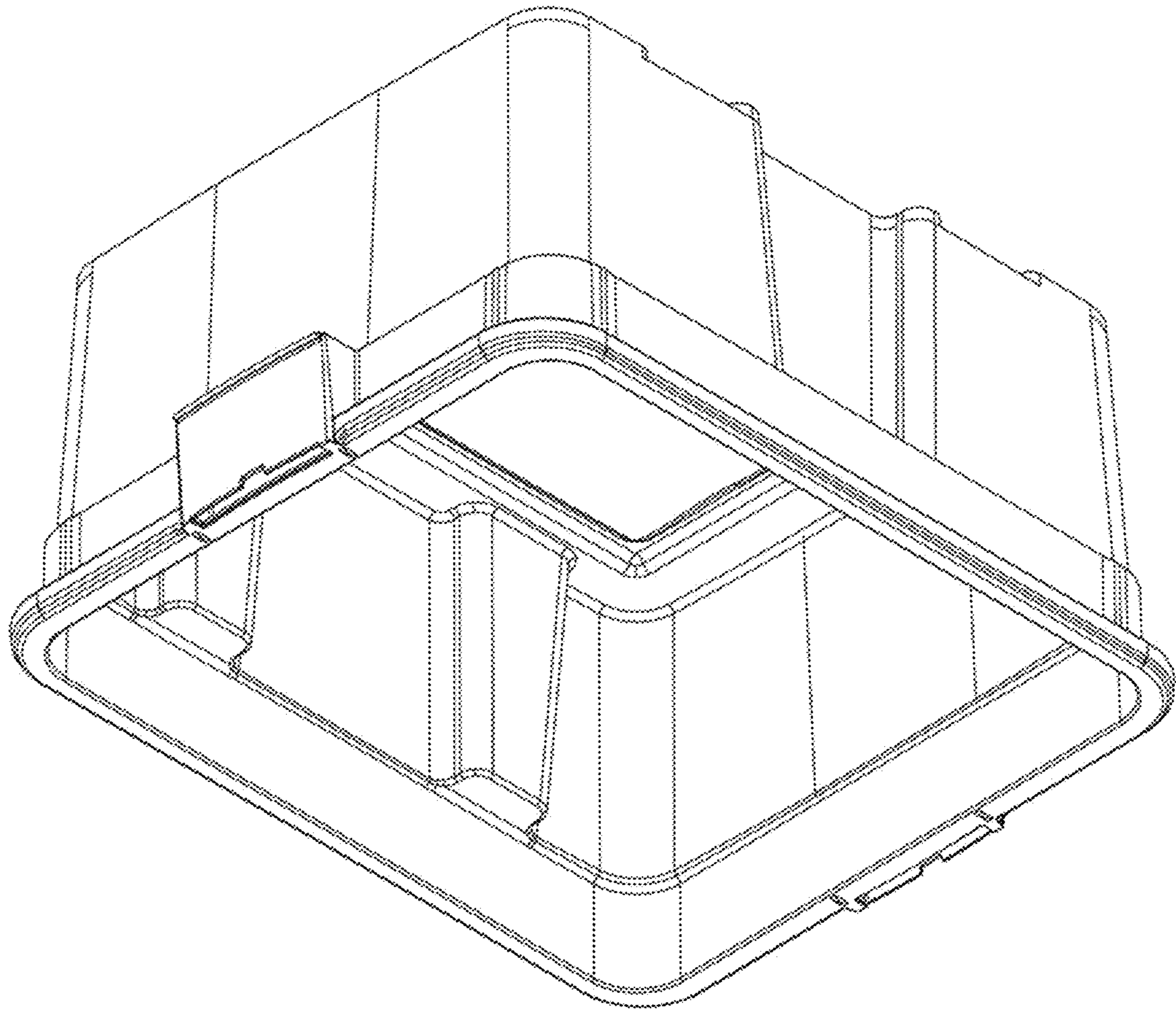


FIG. 9

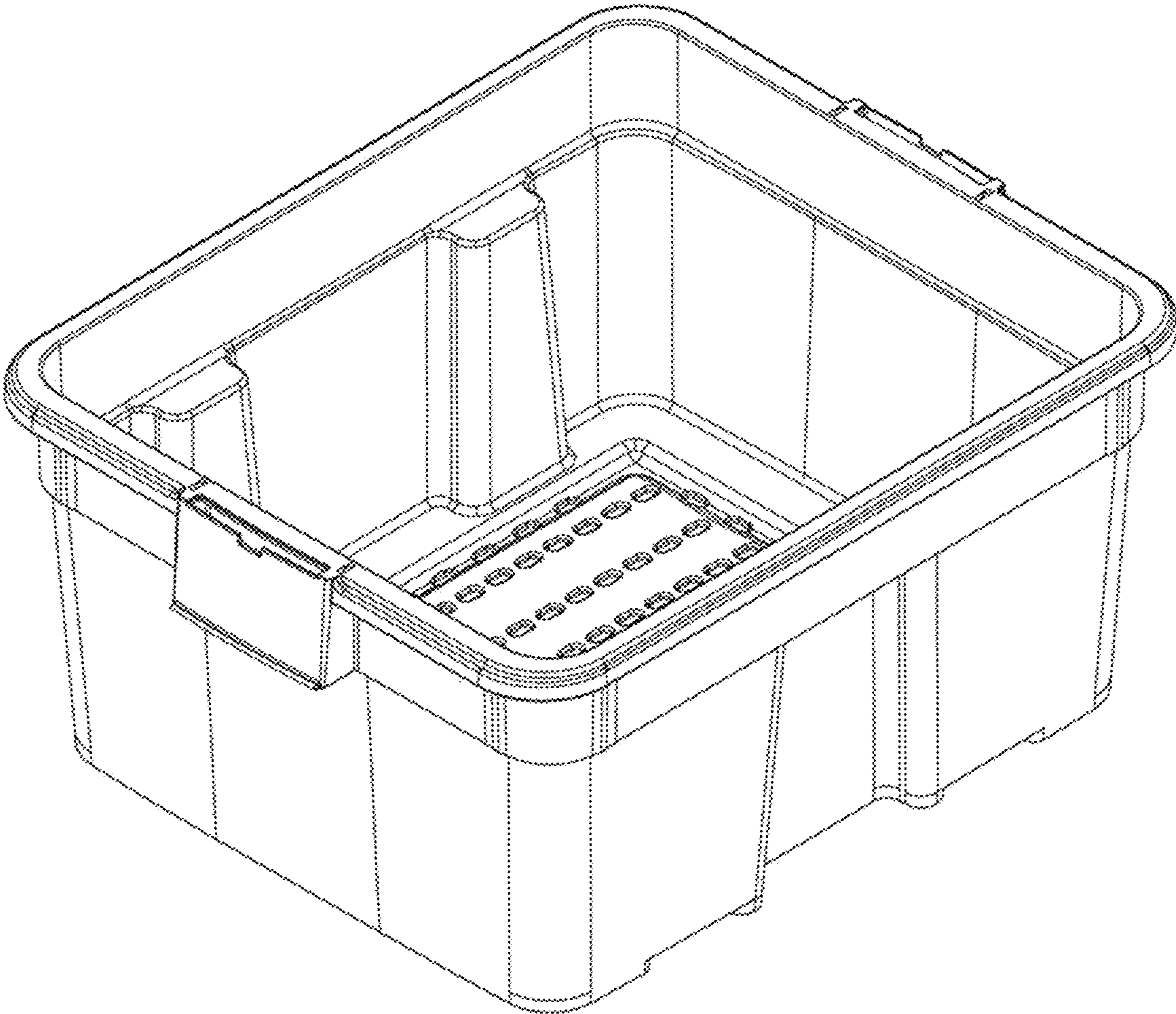


FIG. 10

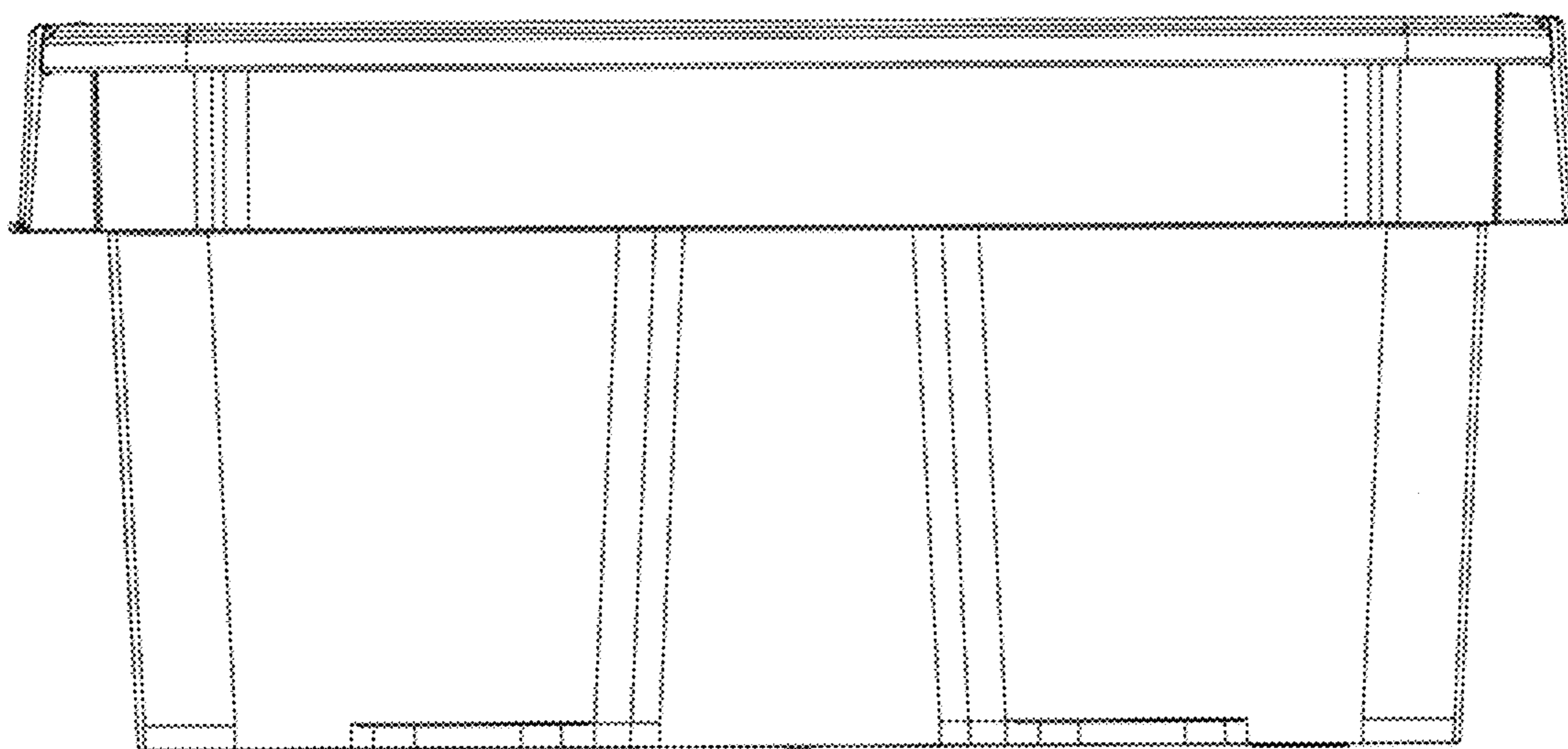


FIG. 11

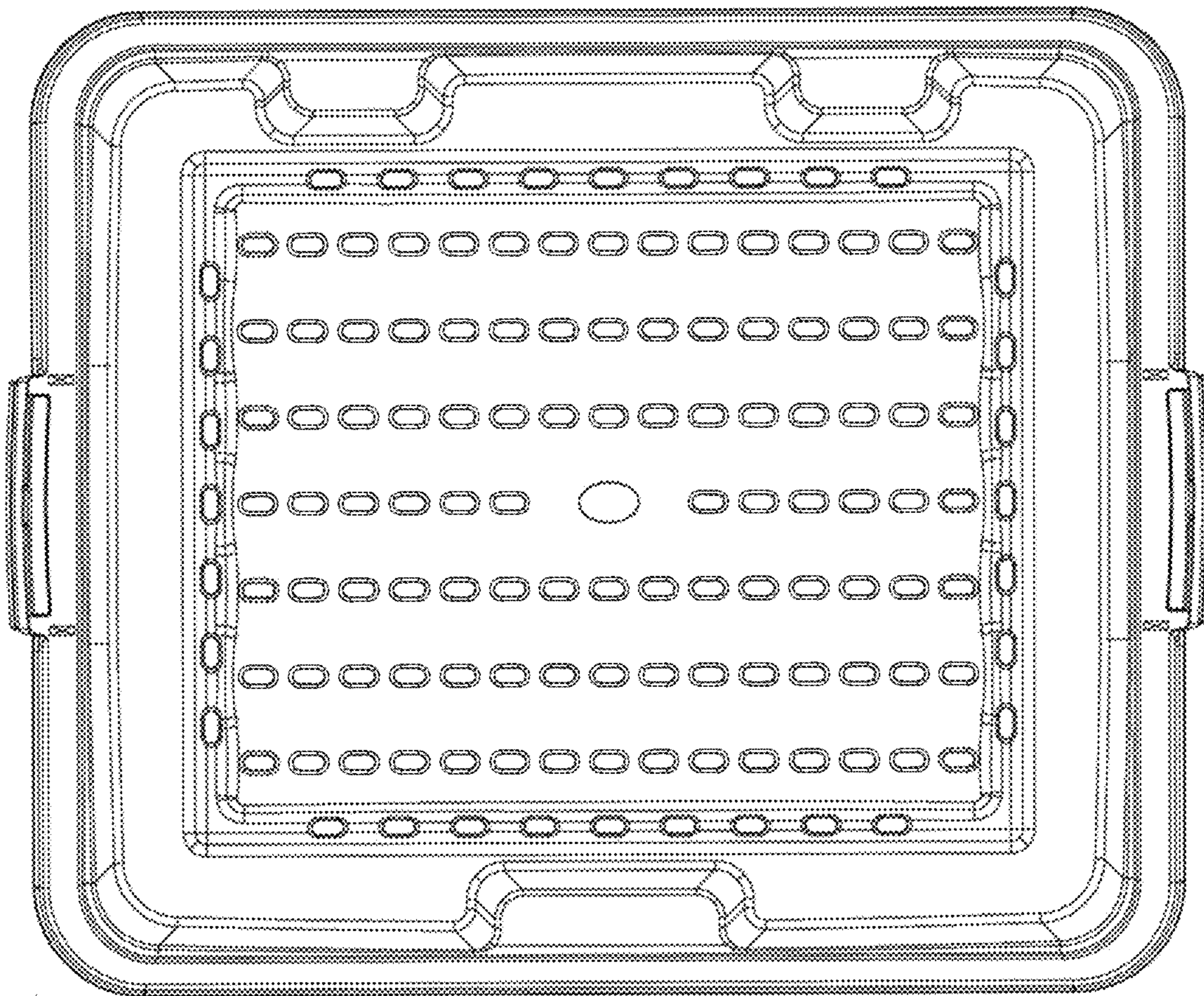


FIG. 12

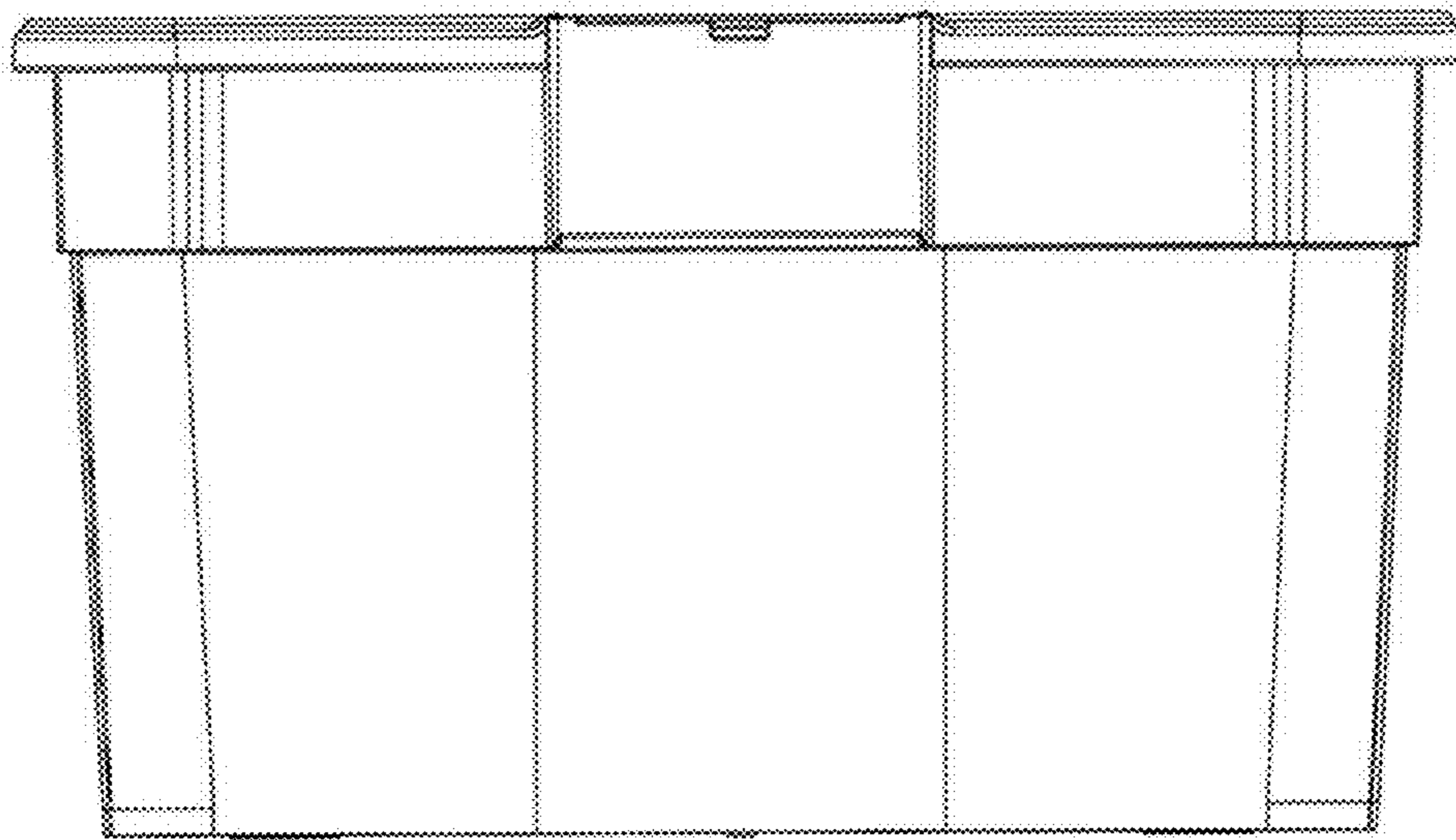


FIG. 13

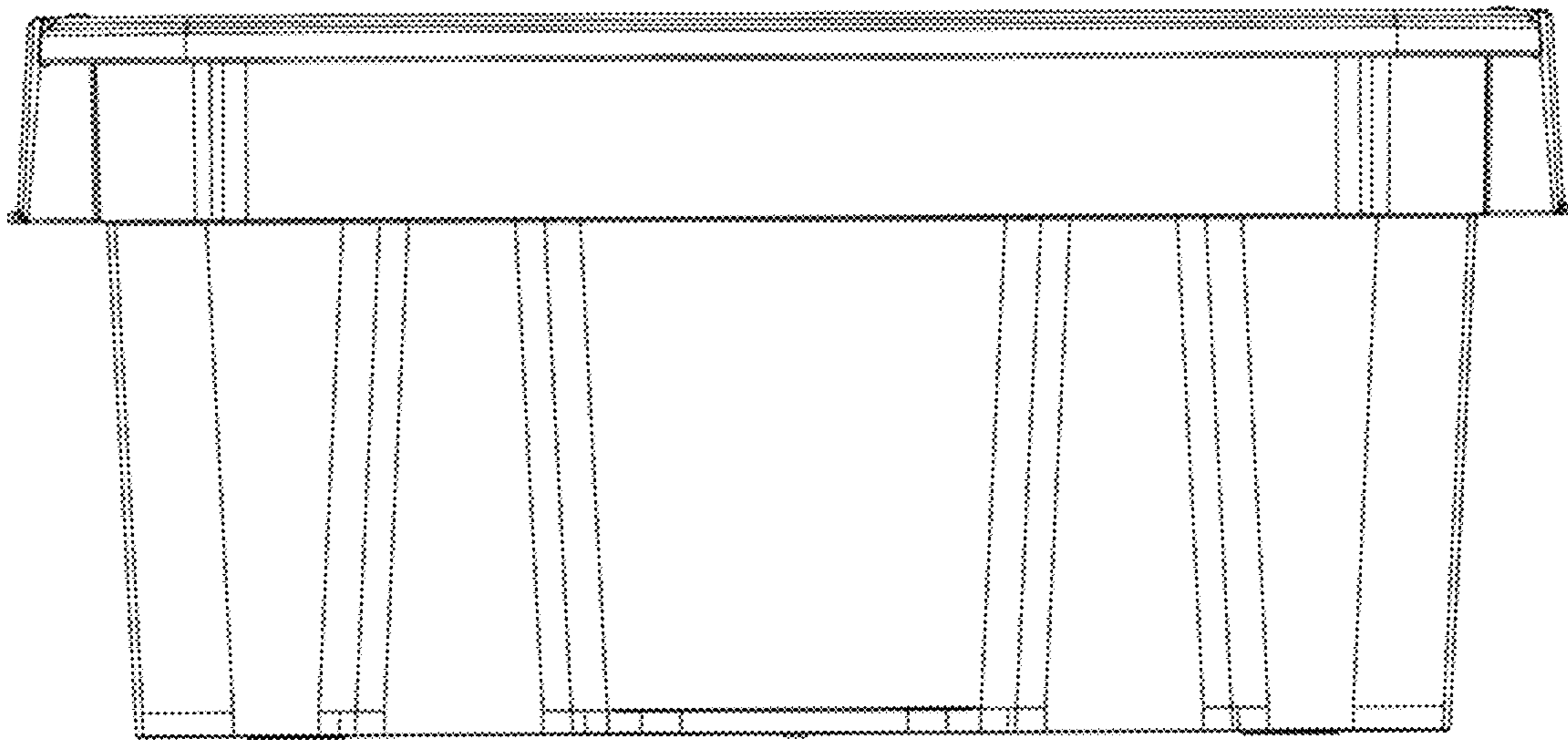


FIG. 14



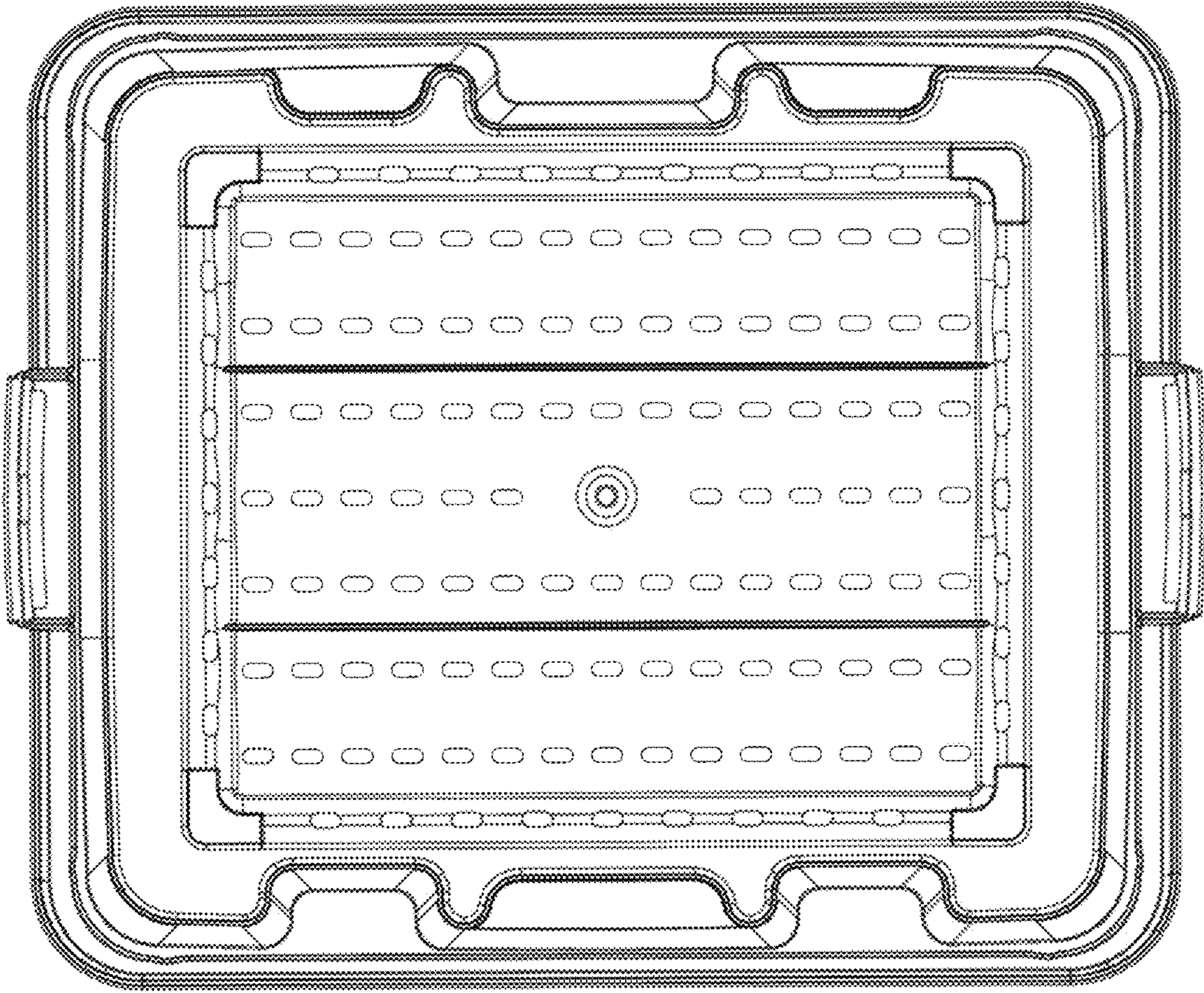


FIG. 15

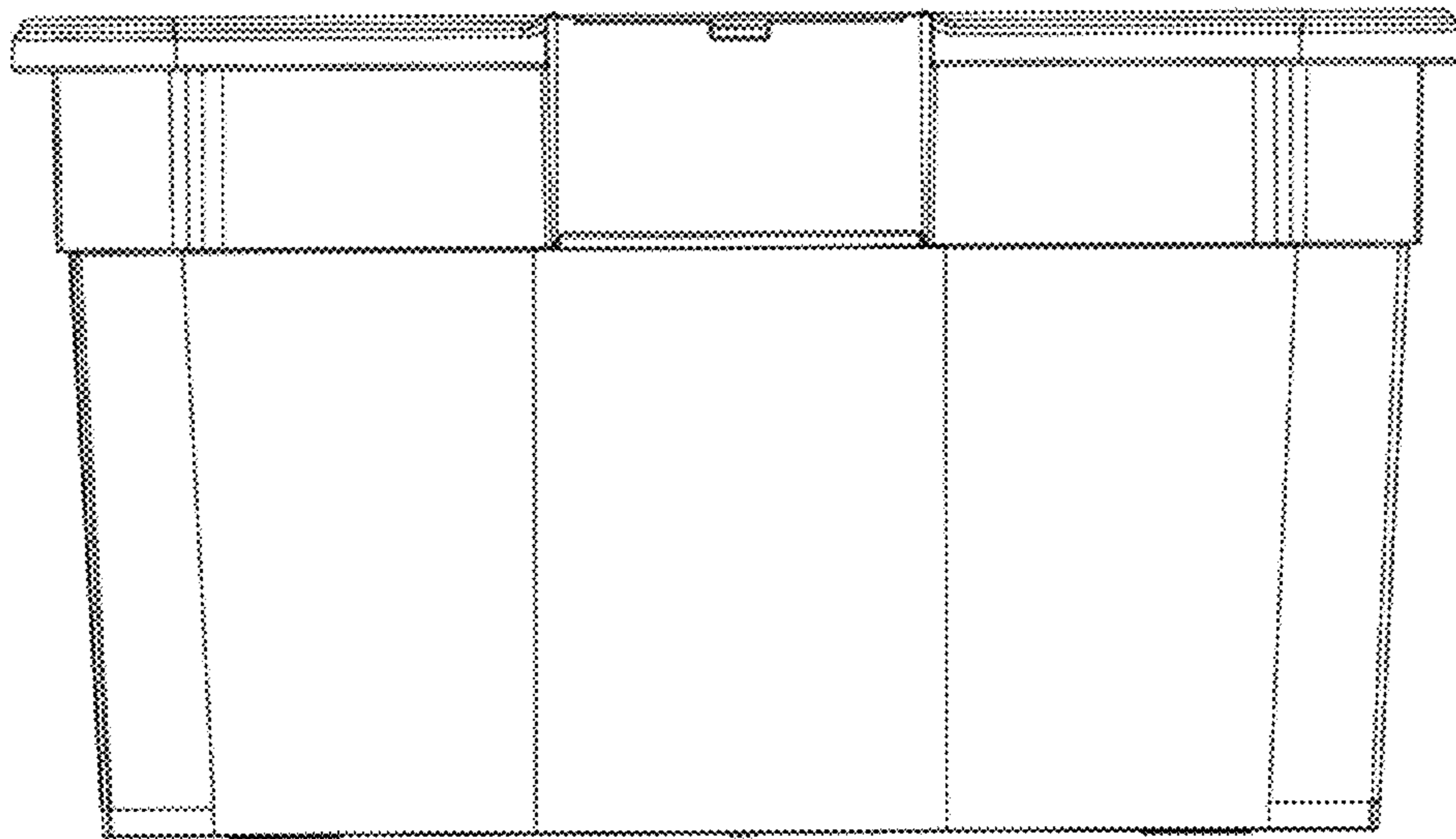


FIG. 16

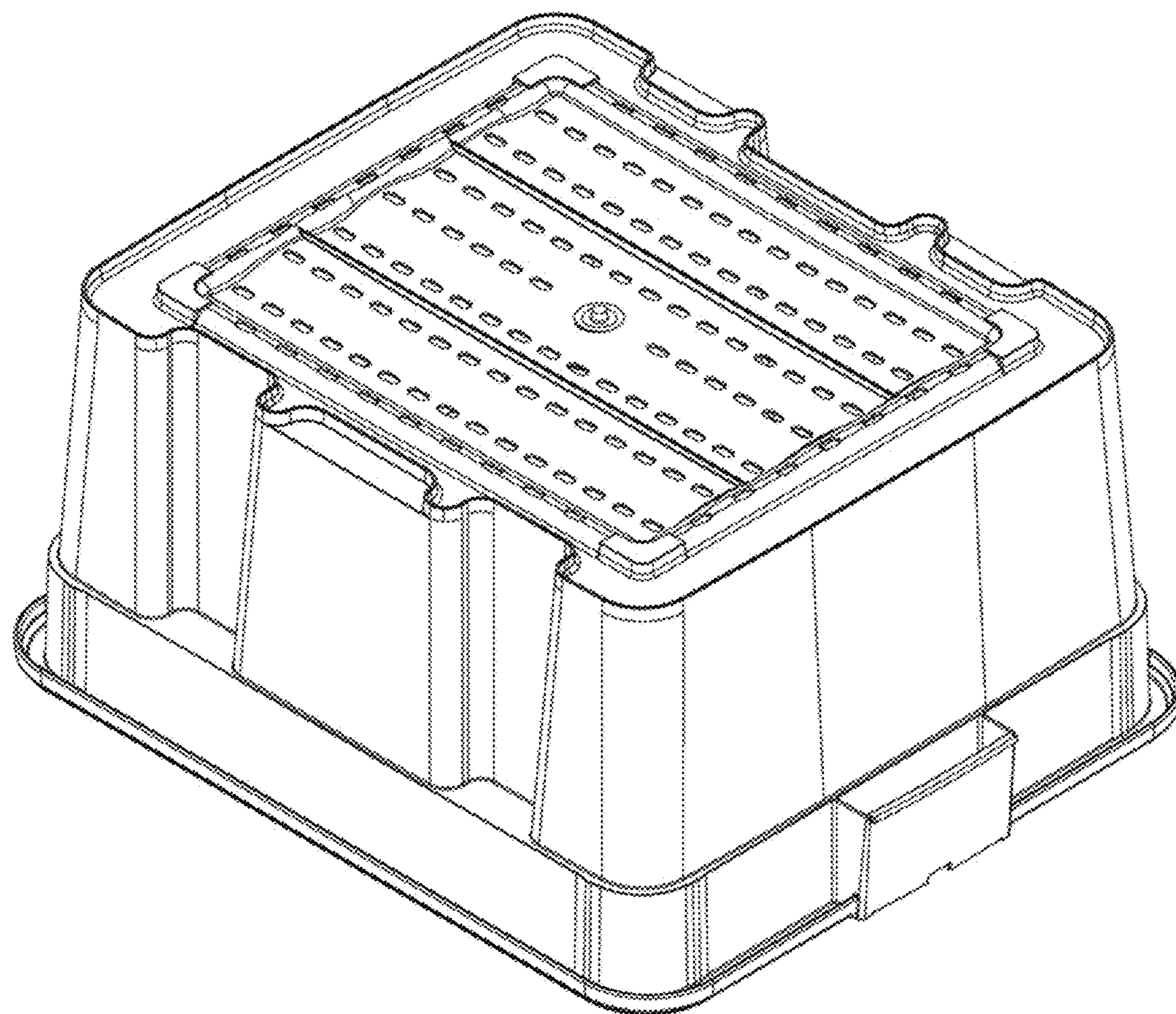


FIG. 17

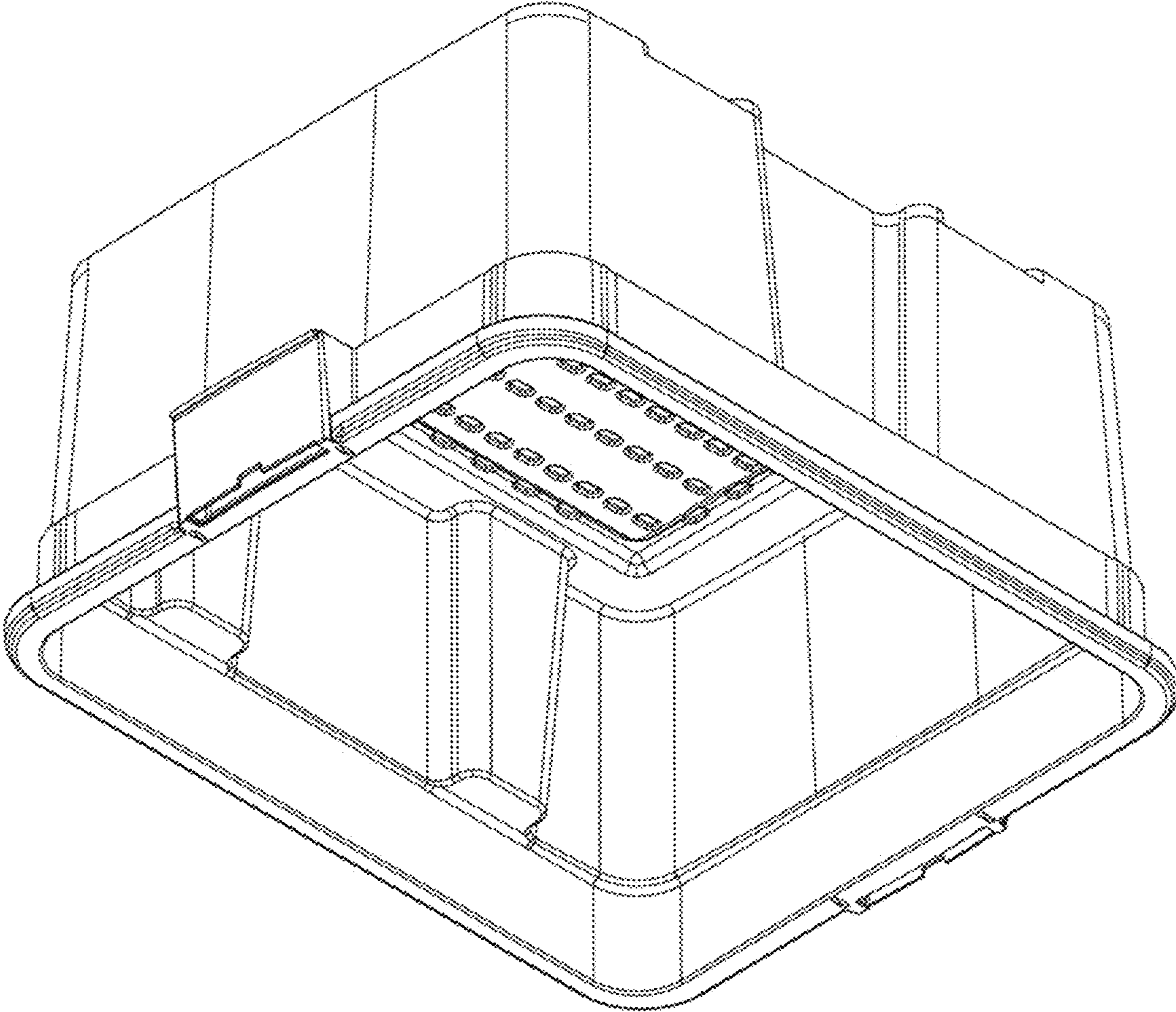


FIG. 18