



US00D923337S

(12) **United States Design Patent**
Wei

(10) **Patent No.:** **US D923,337 S**

(45) **Date of Patent:** **** Jun. 29, 2021**

(54) **BASKET**

(71) Applicant: **GUANGZHOU XUN EXTENSION TECHNOLOGY CO., LTD.**,
Guangzhou (CN)

(72) Inventor: **Wenyi Wei**, Guangzhou (CN)

(73) Assignee: **GUANGZHOU XUN EXTENSION TECHNOLOGY CO., LTD.**,
Guangzhou (CN)

(**) Term: **15 Years**

(21) Appl. No.: **29/772,433**

(22) Filed: **Mar. 2, 2021**

(51) **LOC (13) Cl.** **03-01**

(52) **U.S. Cl.**
USPC **D3/306**

(58) **Field of Classification Search**
USPC D3/201, 304, 306-309, 314, 315;
D19/75-77, 86, 92, 95
CPC ... B65D 1/00; B65D 1/22; B65D 1/38; B65D
1/34; B65D 7/00; B65D 7/14
See application file for complete search history.

(56) **References Cited**

U.S. PATENT DOCUMENTS

D264,761 S * 6/1982 Dekarski D3/306
D343,712 S * 1/1994 Linder D6/513

D348,760 S * 7/1994 Linder D3/306
D472,750 S * 4/2003 Clucas D6/525
D554,417 S * 11/2007 Thorsteinsson D6/566
D554,419 S * 11/2007 Thompson D6/566
D612,648 S 3/2010 Guindi
D632,081 S * 2/2011 Klein D3/306
D648,130 S * 11/2011 Goodman D3/306
D650,175 S * 12/2011 Lee D3/306
D757,457 S 5/2016 Guindi et al.
D786,557 S * 5/2017 Goodman D3/306
D835,911 S * 12/2018 Goodman D3/306
D878,098 S * 3/2020 Goodman D6/566
D908,358 S * 1/2021 Zhai D3/306

* cited by examiner

Primary Examiner — Kelley A Donnelly

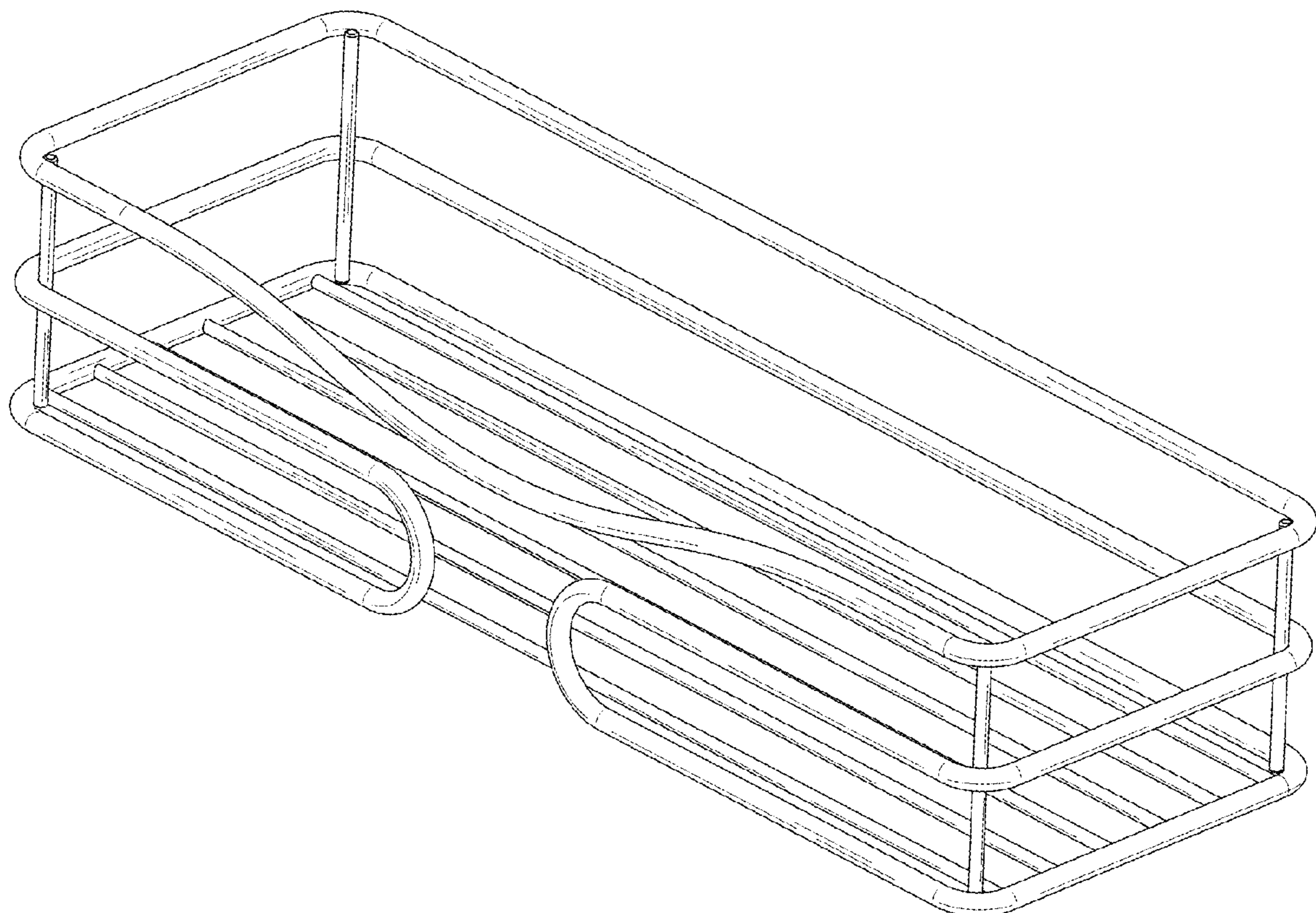
(57) **CLAIM**

The ornamental design for a basket, as shown and described.

DESCRIPTION

FIG. 1 is a perspective view of a basket showing my new design;
FIG. 2 is a front elevational view thereof;
FIG. 3 is a rear elevational view thereof;
FIG. 4 is a left side elevational view thereof;
FIG. 5 is a right side elevational view thereof;
FIG. 6 is a top plan view thereof; and,
FIG. 7 is a bottom plan view thereof.

1 Claim, 7 Drawing Sheets



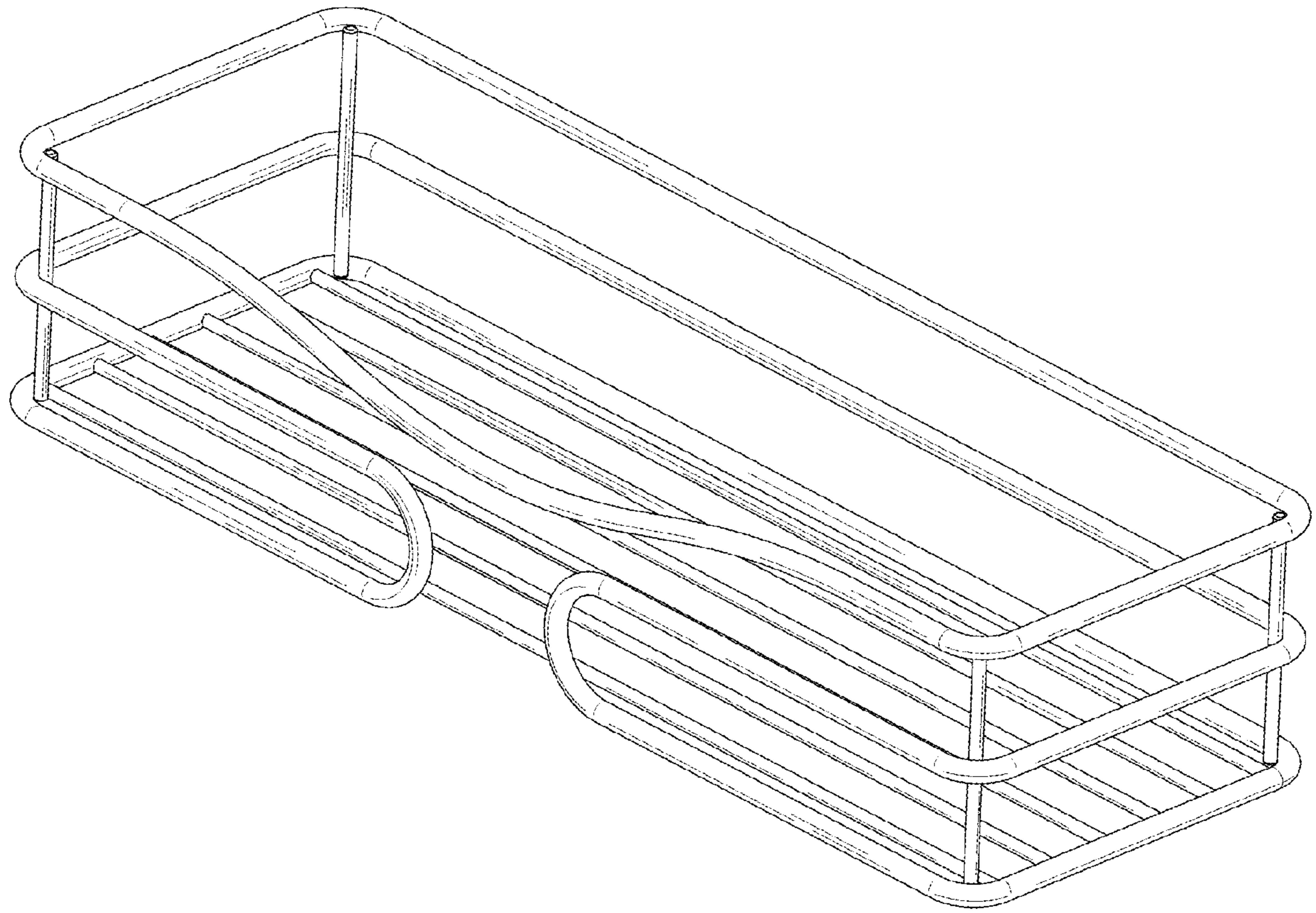


FIG. 1

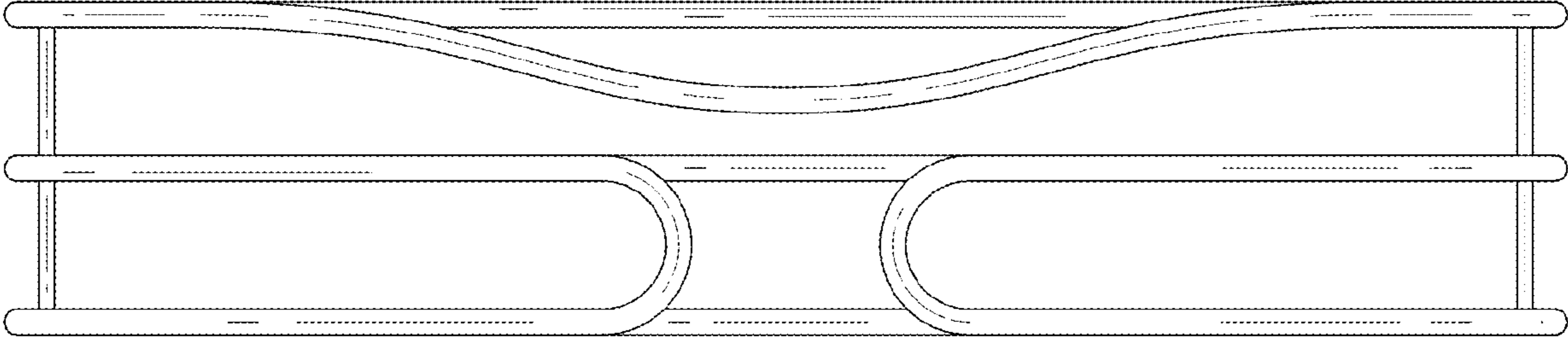


FIG. 2

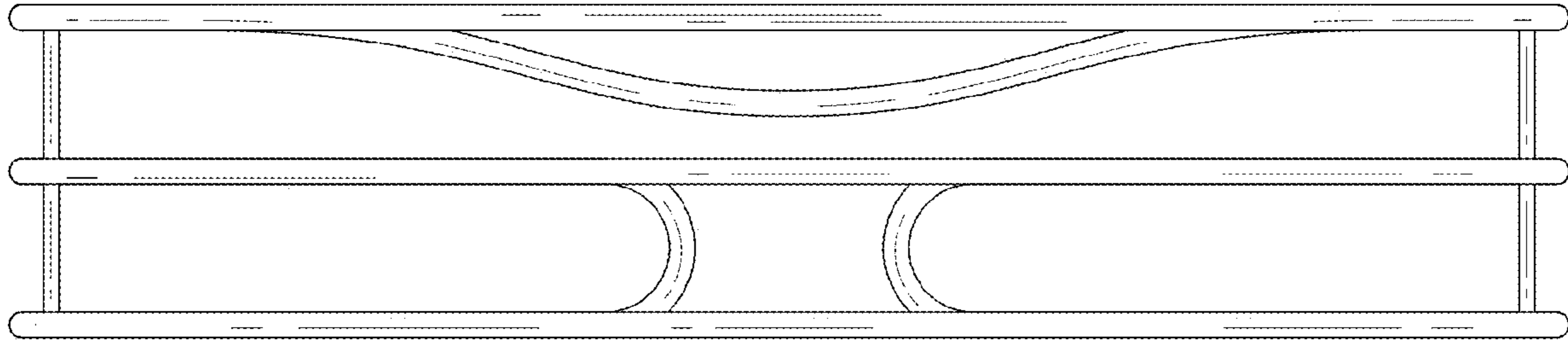


FIG. 3

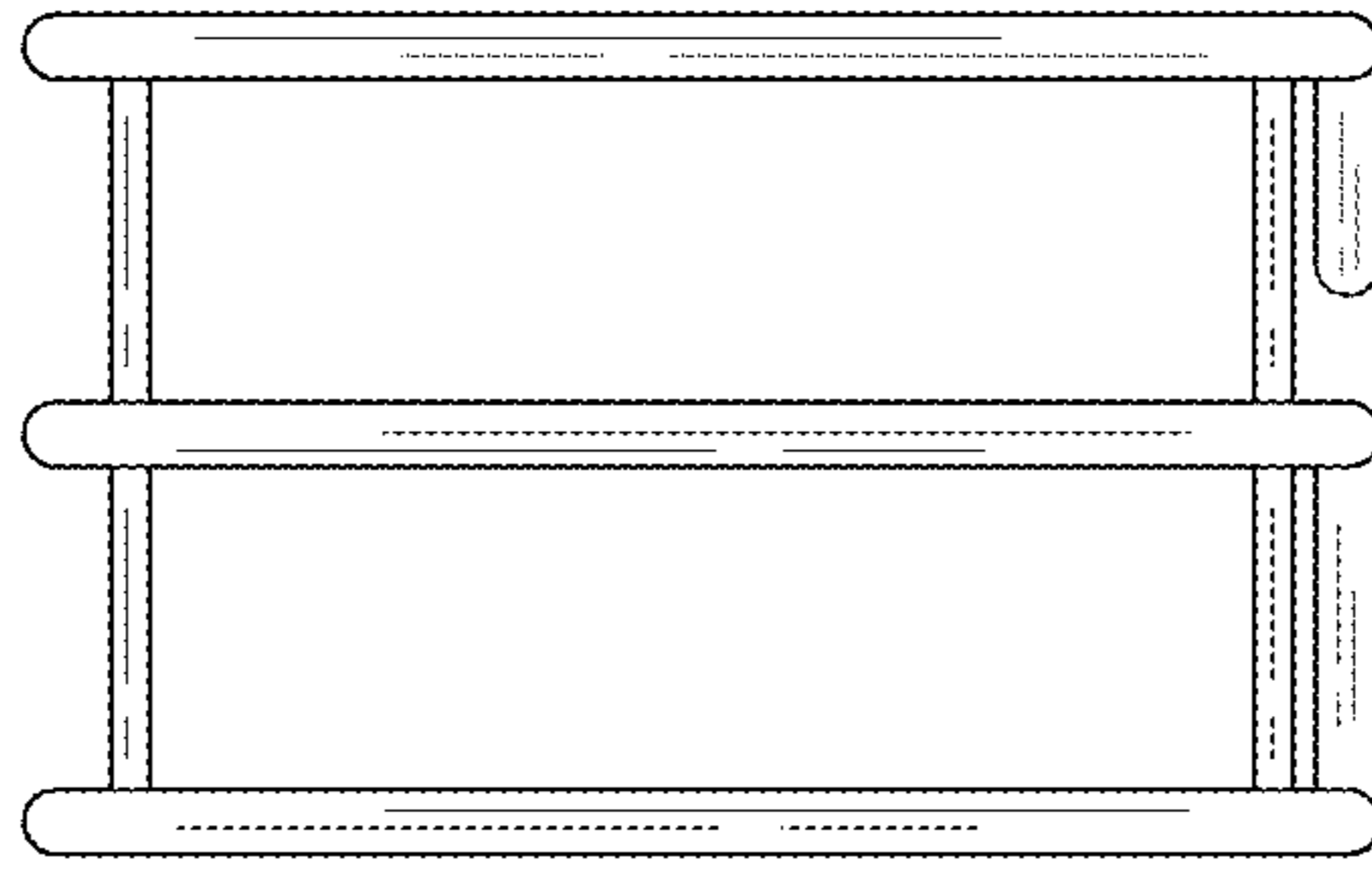


FIG. 4

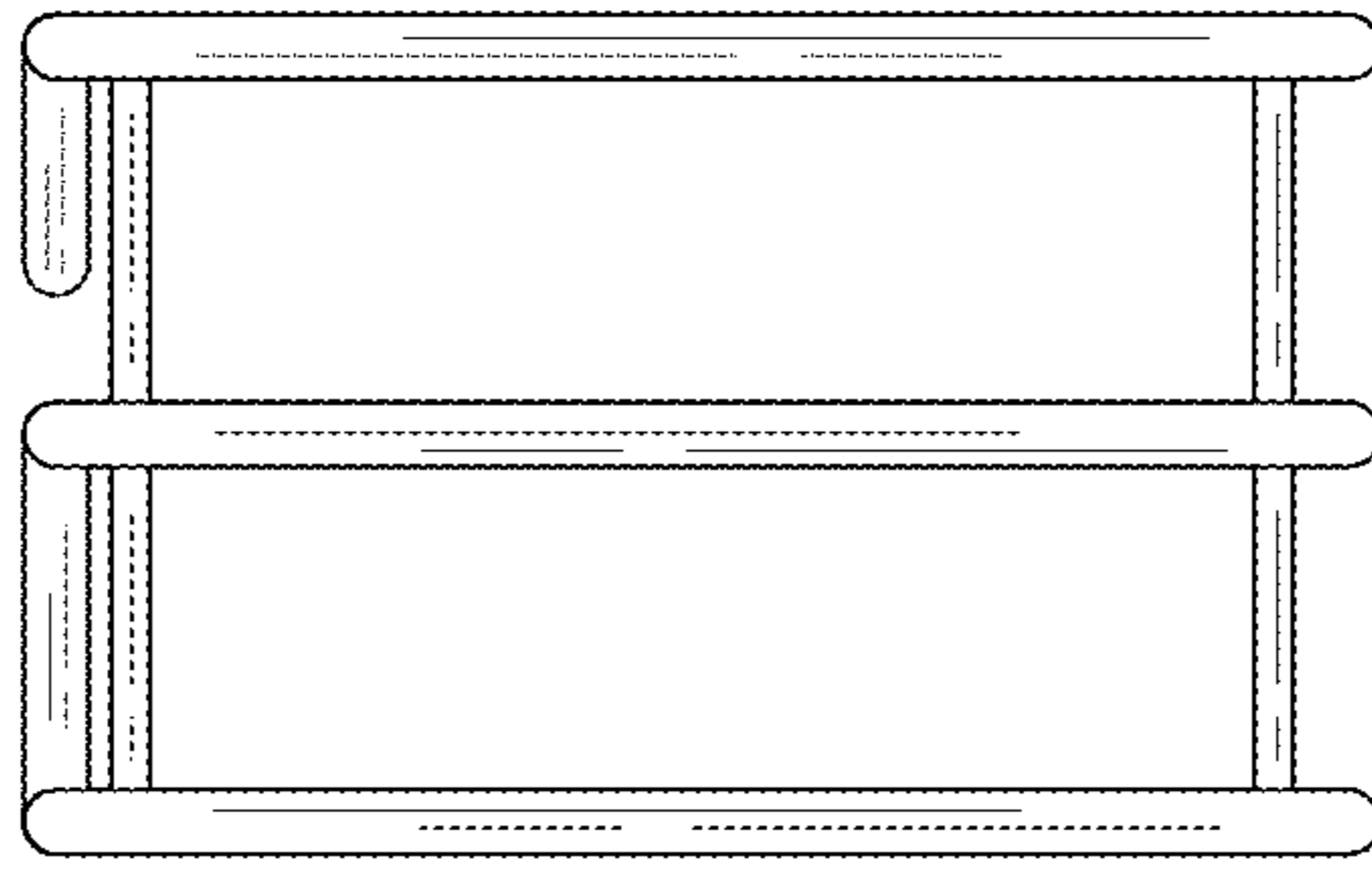


FIG. 5

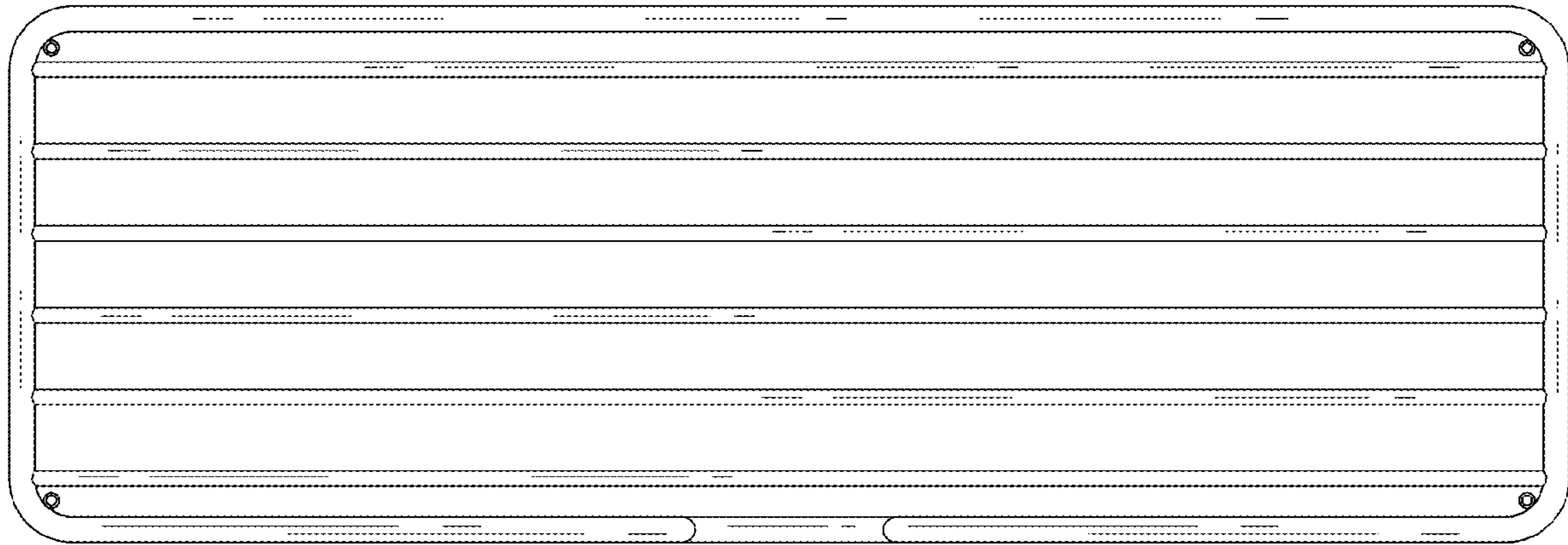


FIG. 6

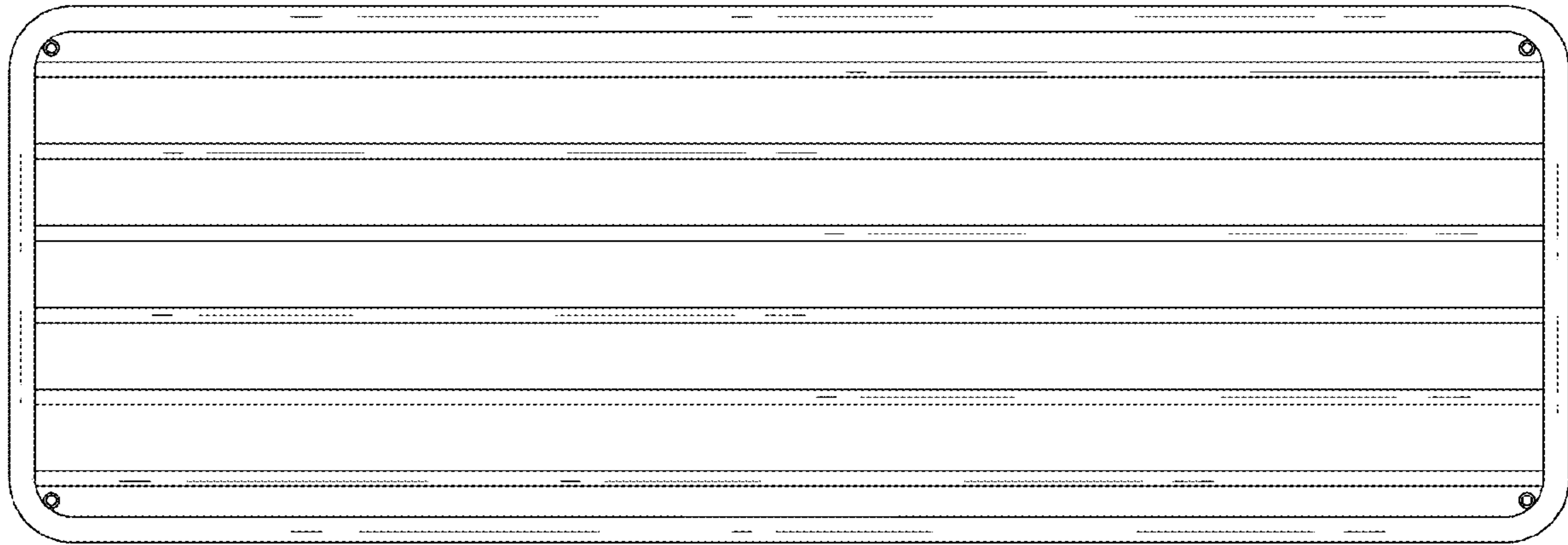


FIG. 7