



US00D923336S

(12) **United States Design Patent**
Zhai

(10) **Patent No.:** **US D923,336 S**

(45) **Date of Patent:** **** Jun. 29, 2021**

(54) **DETACHABLE BASKET**

(71) Applicant: **Dongguan Qiongfeng Hardware Products Co., Ltd., Dongguan (CN)**

(72) Inventor: **Qiong'e Zhai, Dongguan (CN)**

(**) Term: **15 Years**

(21) Appl. No.: **29/748,540**

(22) Filed: **Aug. 31, 2020**

(51) **LOC (13) Cl.** **03-01**

(52) **U.S. Cl.**
USPC **D3/306**

(58) **Field of Classification Search**
USPC D3/201, 304, 305, 306, 312, 314–315,
D3/318–319; D19/75–77, 86
CPC . B65D 1/00; B65D 1/22; B65D 1/225; B65D
1/34; B65D 1/38; B65D 7/00
See application file for complete search history.

(56) **References Cited**

U.S. PATENT DOCUMENTS

1,916,852	A *	7/1933	Sutton	F25D 25/022 211/126.15
2,502,781	A *	4/1950	Erickson	B60R 9/04 220/491
7,228,985	B2 *	6/2007	Yeh	B62D 25/084 220/485
8,141,737	B1 *	3/2012	Tsai	B65D 7/14 220/485
D660,652	S *	5/2012	Tiemann	D7/600.1
D675,850	S *	2/2013	Tawil	D6/705.6
D689,946	S *	9/2013	Hu	D19/92
D693,606	S *	11/2013	Hertaus	D6/671.1
D698,604	S *	2/2014	Tsai	D7/600.1
D698,605	S *	2/2014	Tsai	D7/600.1
D730,128	S *	5/2015	Hu	D7/637
D731,256	S *	6/2015	Hu	D7/637
D764,236	S *	8/2016	Hertaus	D7/600.1

9,629,462	B2 *	4/2017	Fu	A47B 88/95
D802,927	S *	11/2017	Thoma	D3/307
D814,190	S	4/2018	Mishan et al.		
D828,706	S *	9/2018	Velez	D6/675.5
D838,979	S	1/2019	Goodman et al.		
D844,989	S	4/2019	Wilson et al.		
10,306,982	B2 *	6/2019	Chiang	A47L 15/501
D860,648	S *	9/2019	Greenblatt	D3/306
D899,773	S *	10/2020	Hu	D3/304
D901,180	S *	11/2020	Li	D3/305
D903,047	S *	11/2020	Reeves	D23/209
D908,358	S *	1/2021	Zhai	D3/306
2016/0144999	A1 *	5/2016	Tang	B65D 7/14 220/493

* cited by examiner

Primary Examiner — Kelley A Donnelly

(57) **CLAIM**

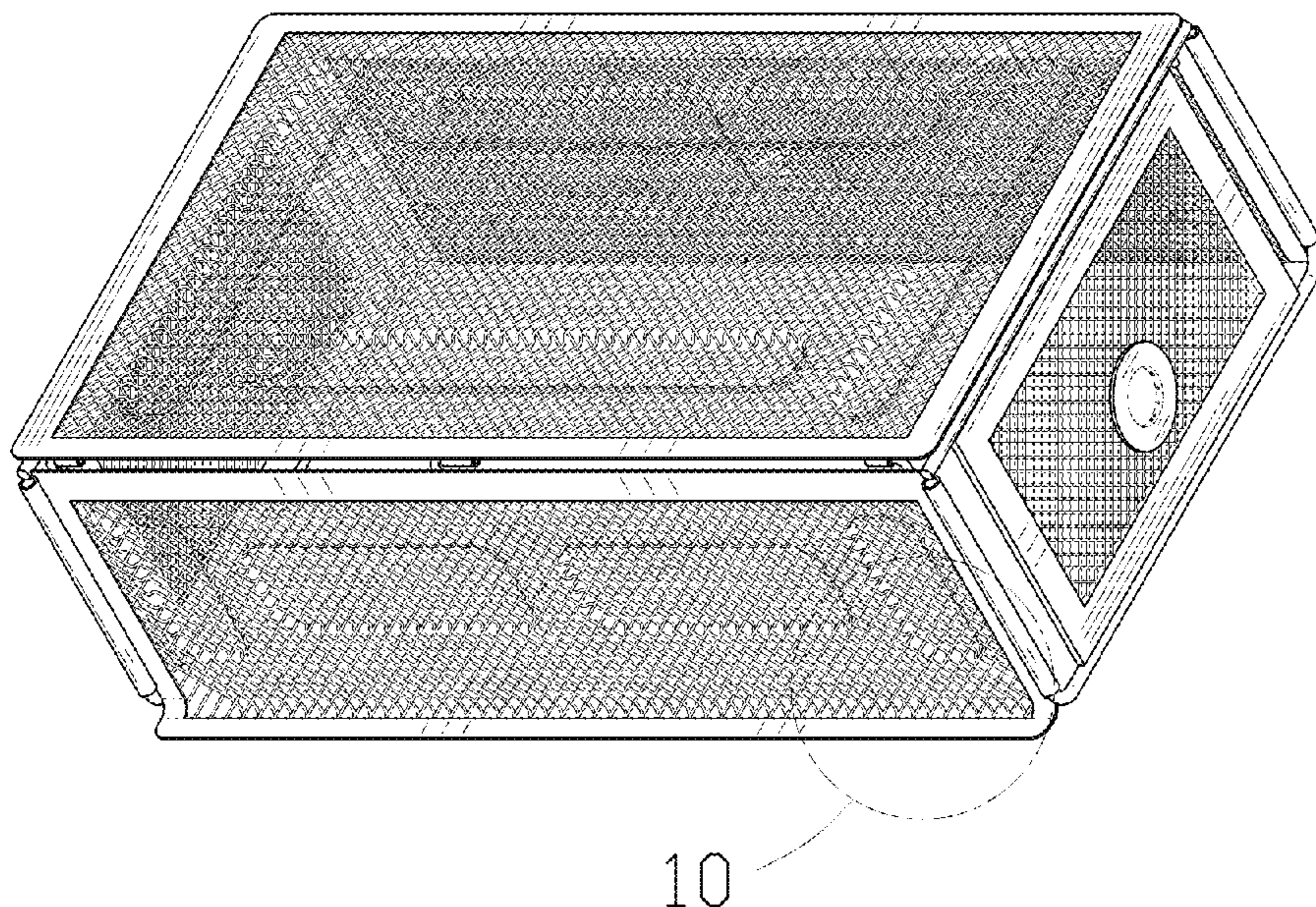
The ornamental design for a detachable basket, as shown and described.

DESCRIPTION

FIG. 1 is a first perspective view of a detachable basket showing my new design;
FIG. 2 is a second perspective view thereof;
FIG. 3 is a front view thereof;
FIG. 4 is a back view thereof;
FIG. 5 is a left side view thereof;
FIG. 6 is a right side view thereof;
FIG. 7 is a top view thereof;
FIG. 8 is a bottom view thereof;
FIG. 9 is a perspective view of another state of the detachable basket thereof; and,
FIG. 10 is an enlarged view of the selected portion in FIG. 1.

The broken lines shown in the drawings depict portions of the detachable basket in which the design is embodied that form no part of the claimed design.

1 Claim, 10 Drawing Sheets



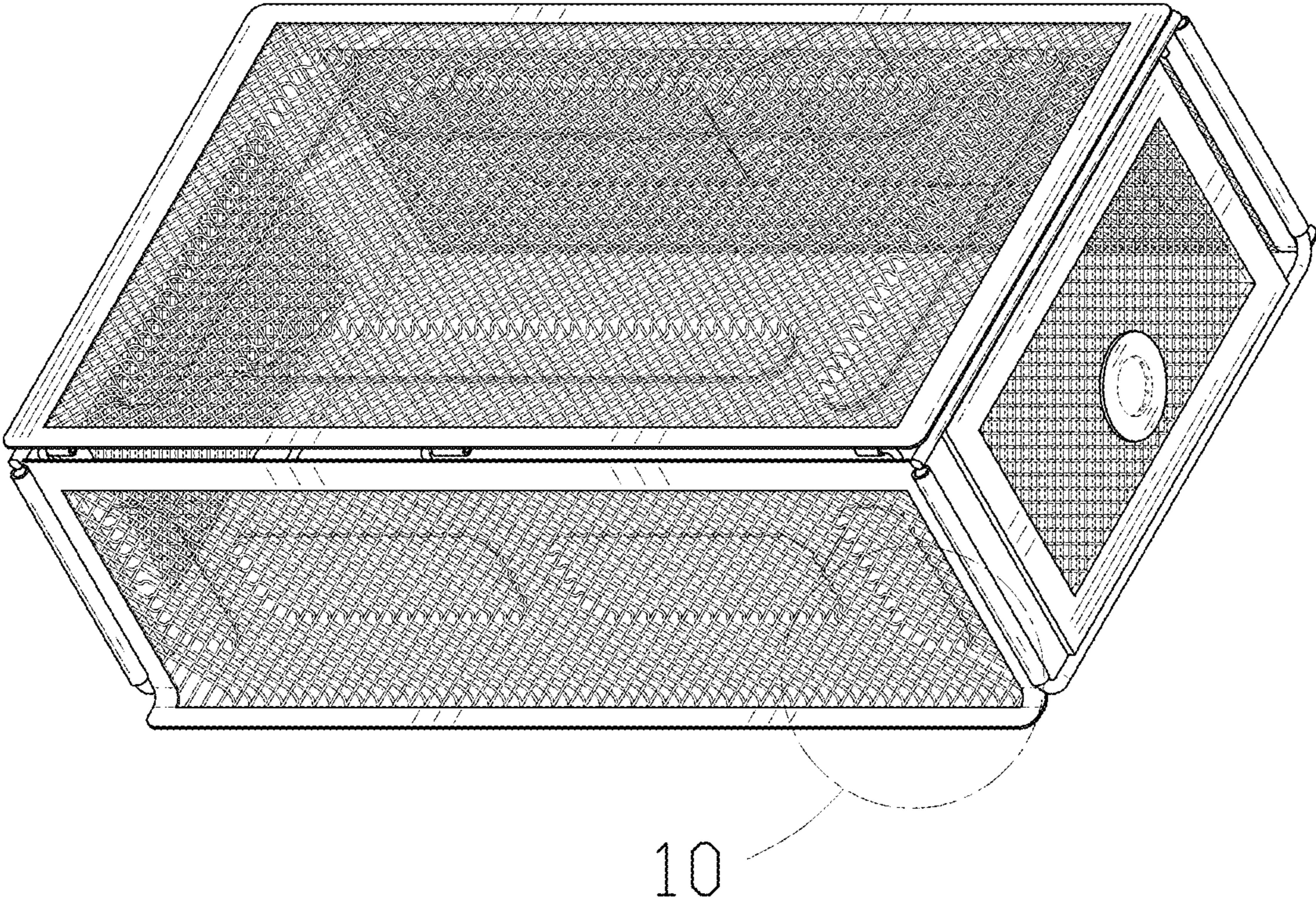


FIG. 1

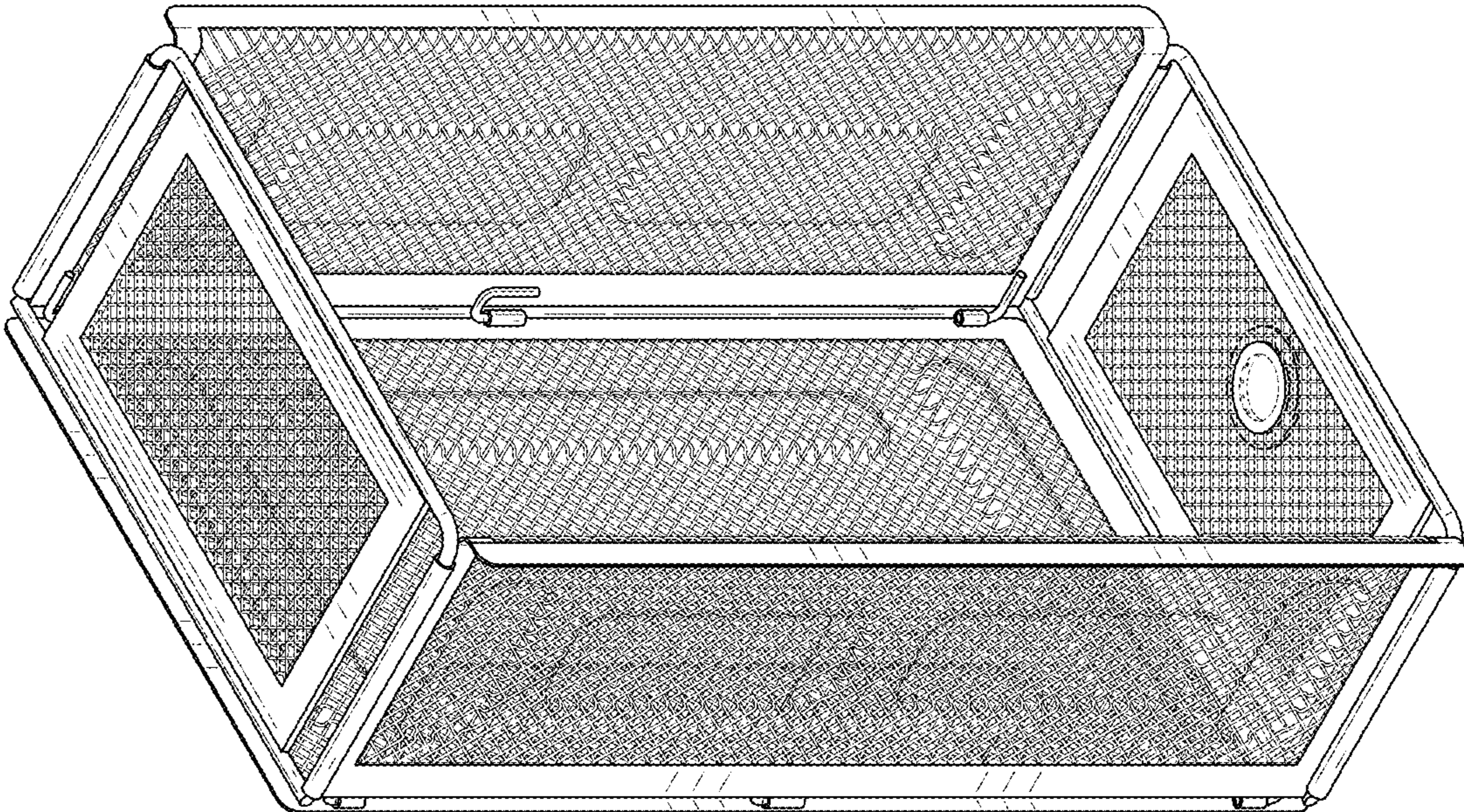


FIG. 2

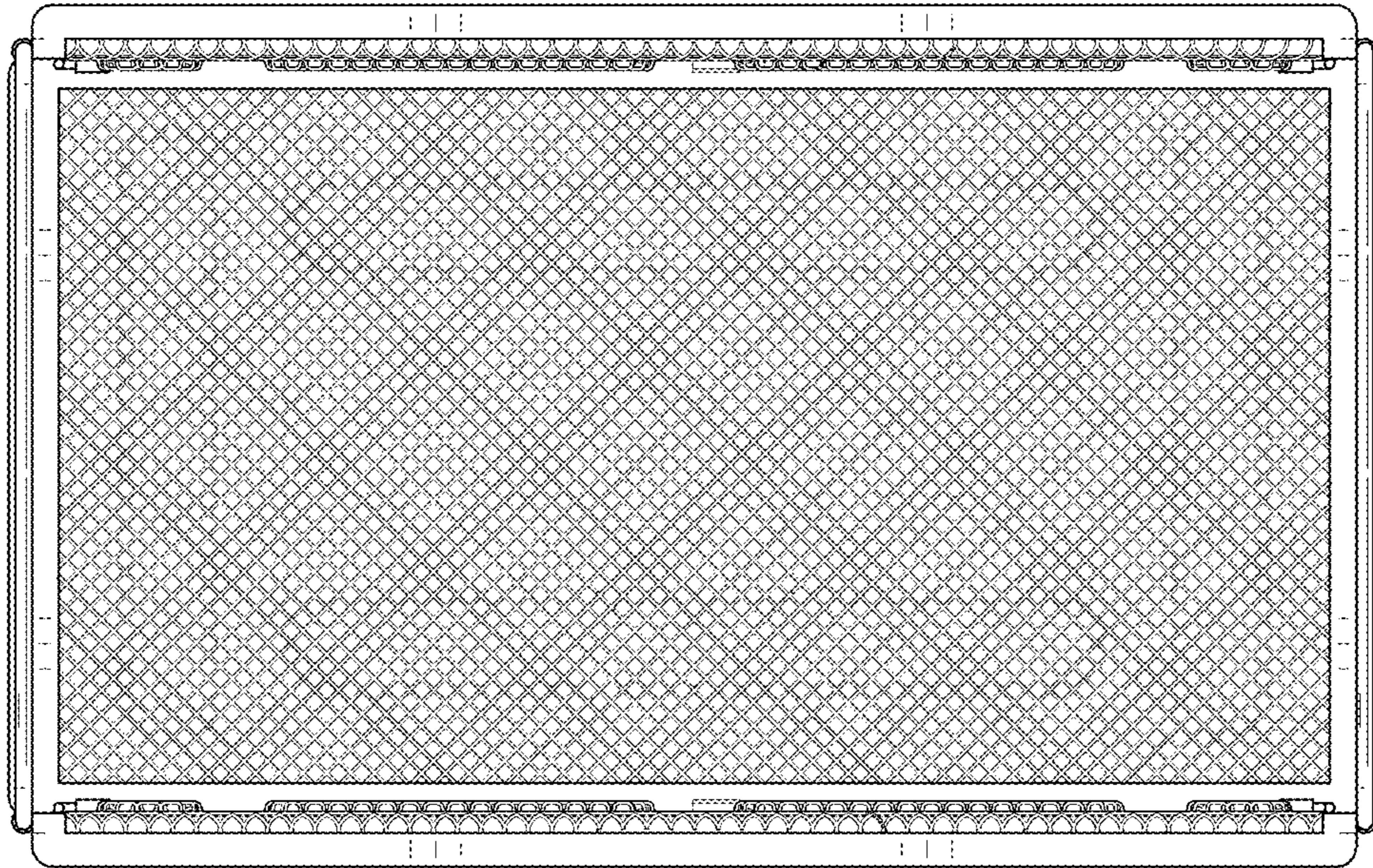


FIG. 3

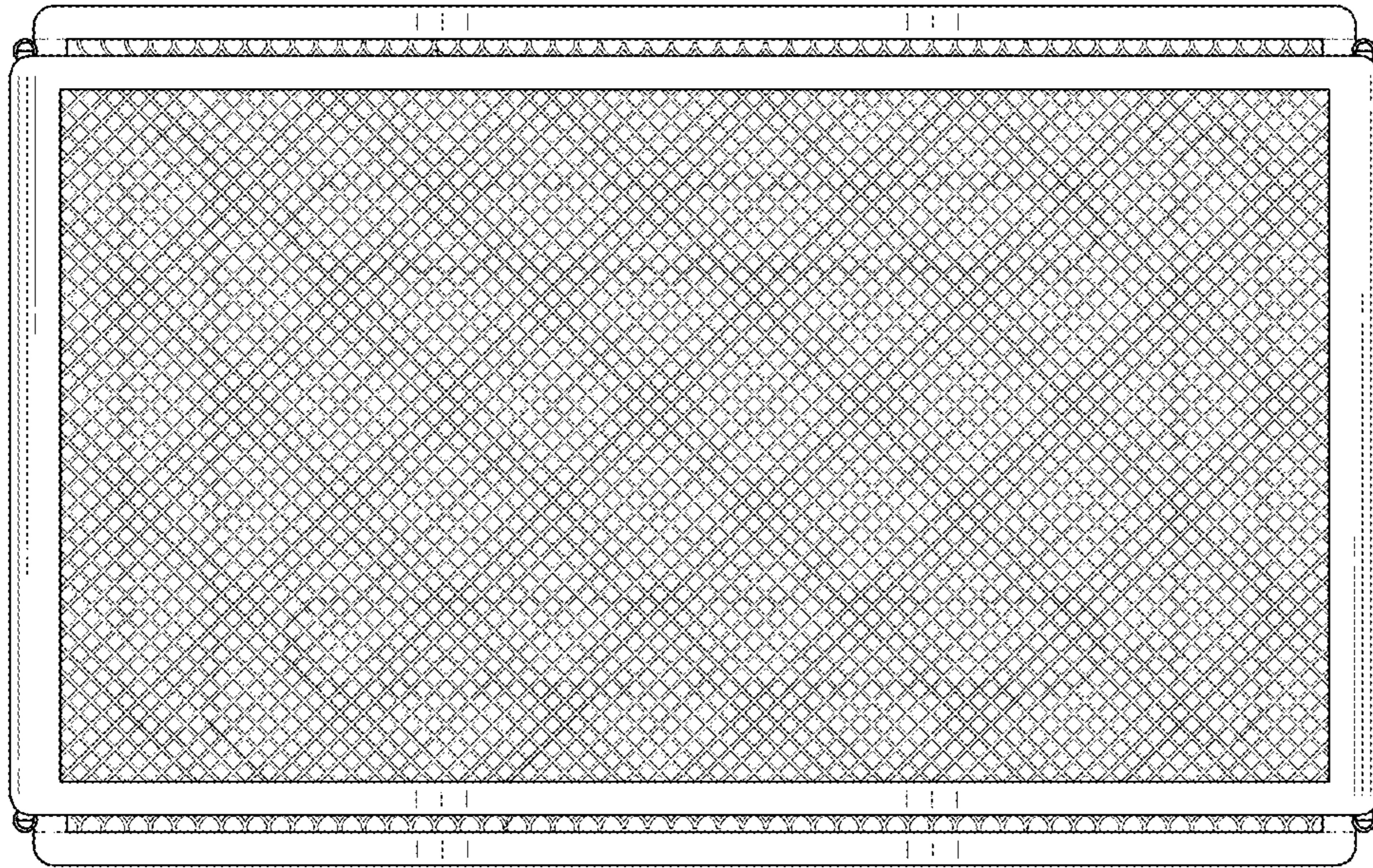


FIG. 4

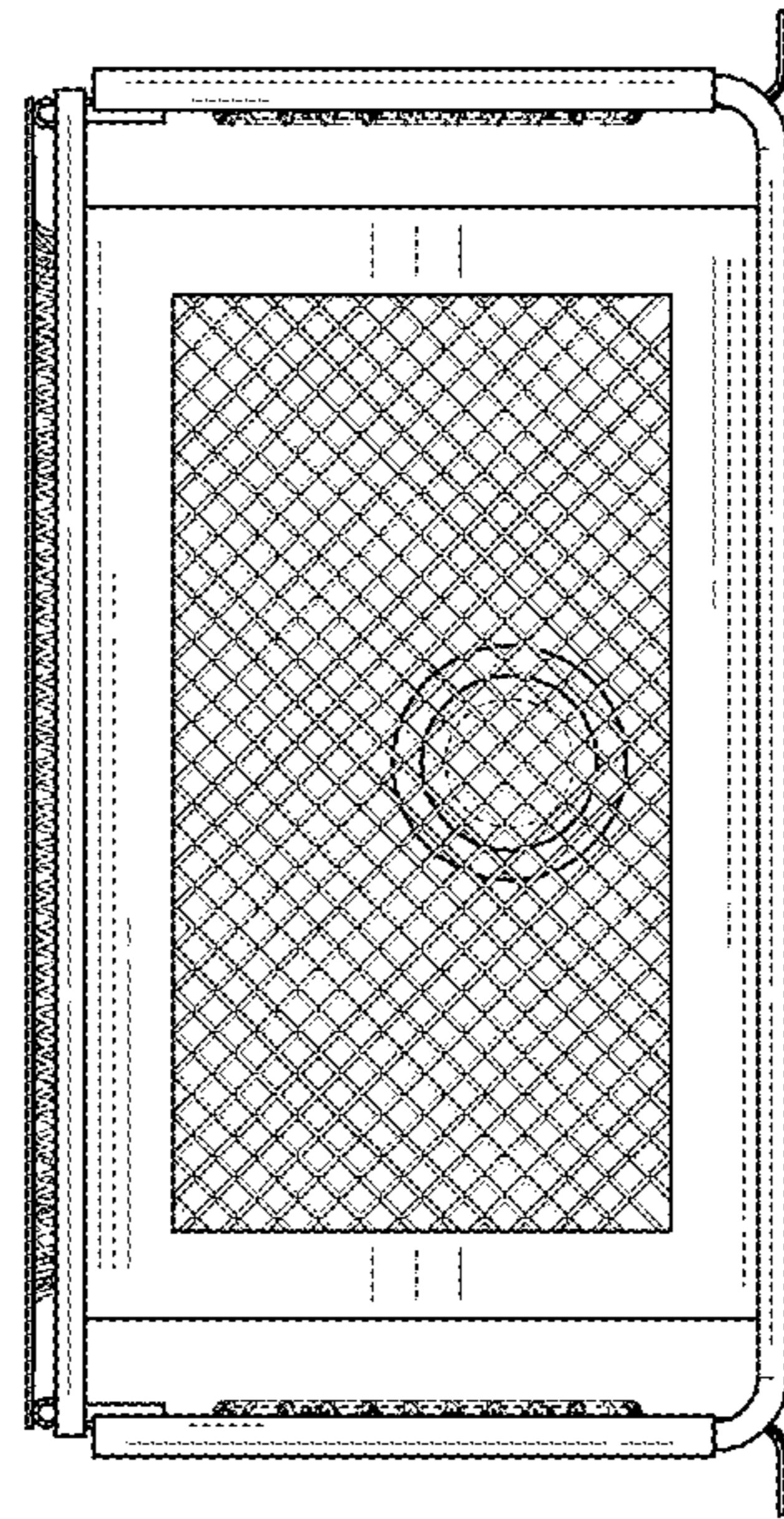


FIG. 5

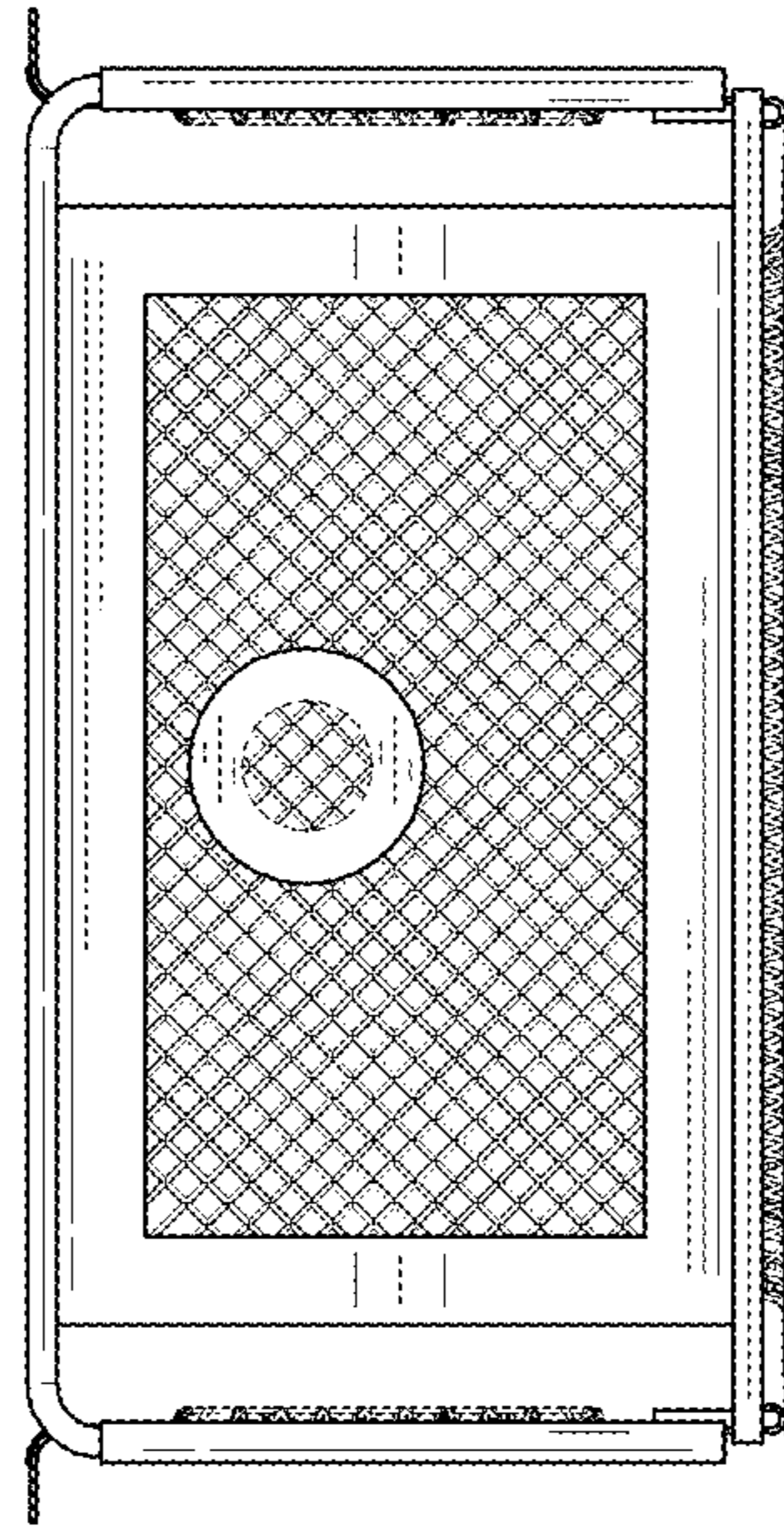


FIG. 6

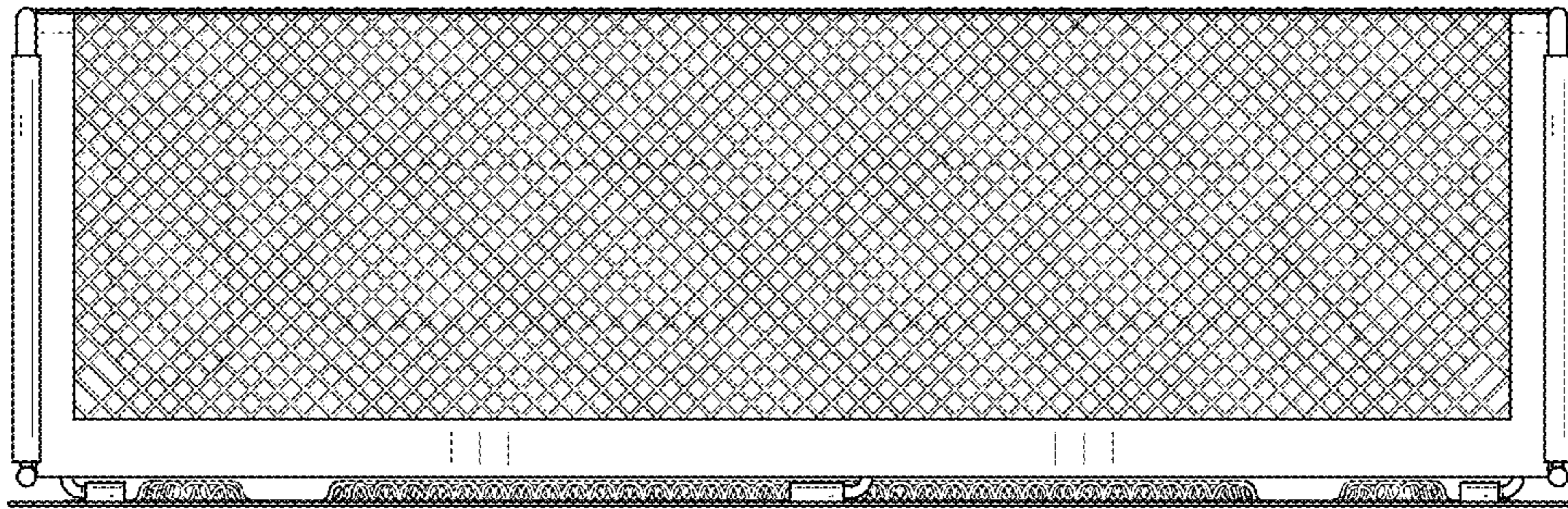


FIG. 7

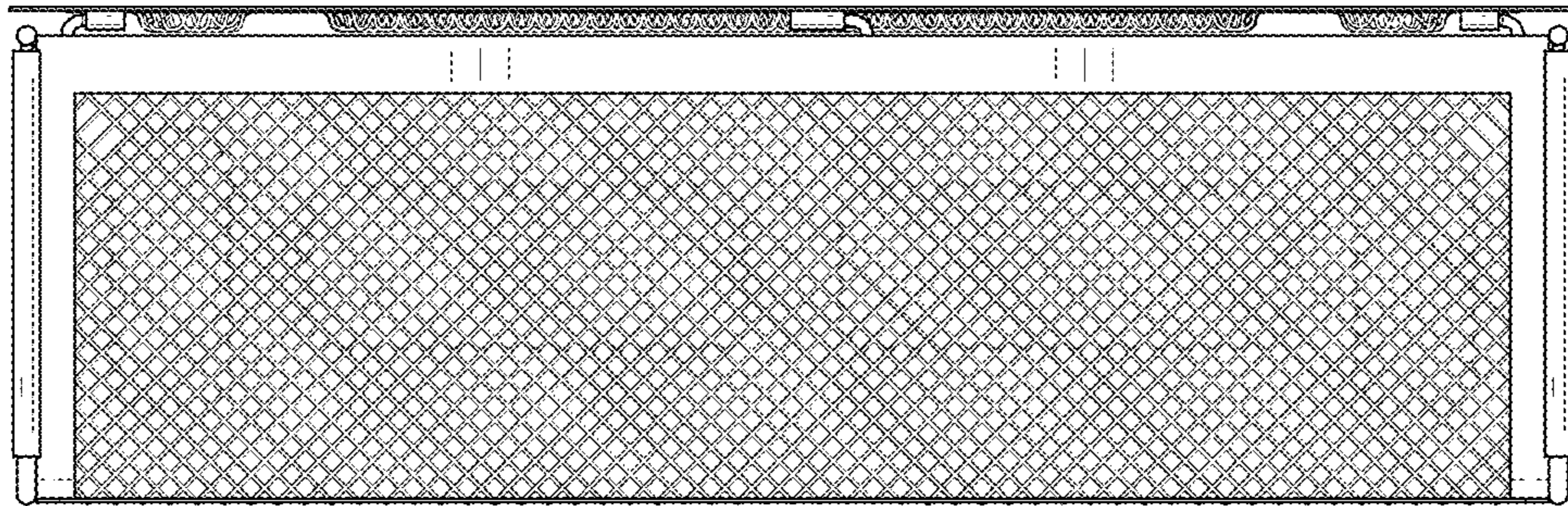


FIG. 8

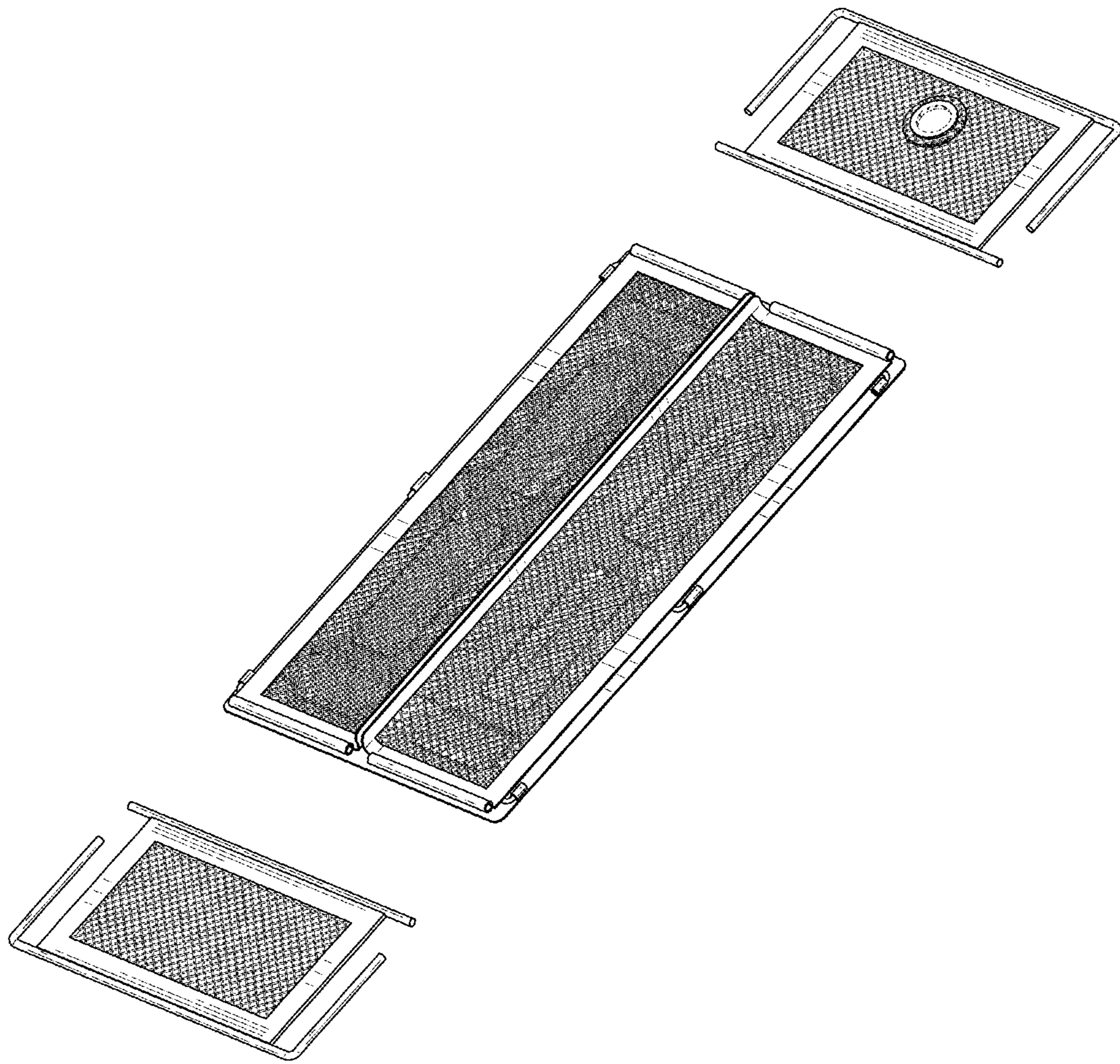


FIG. 9

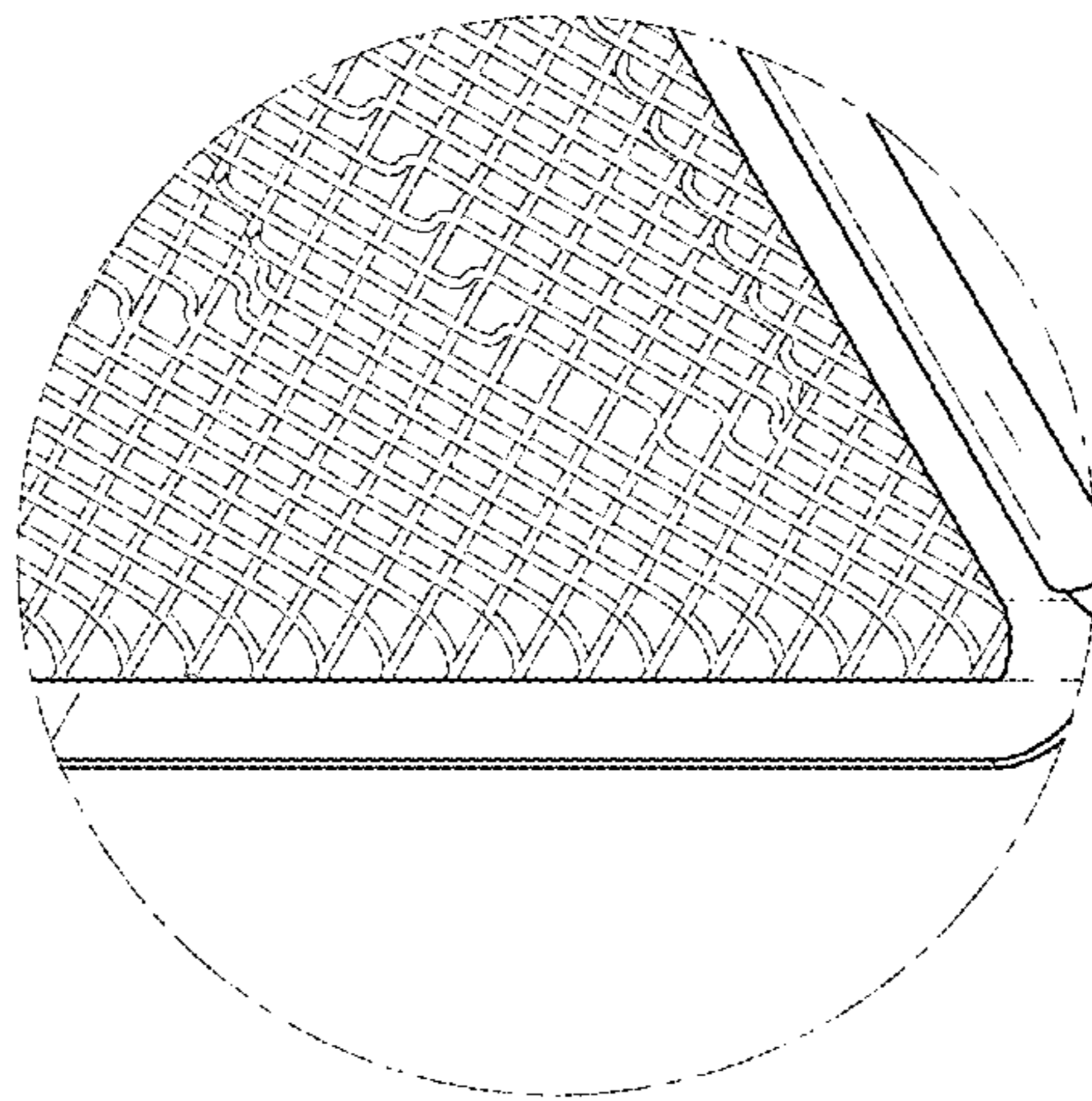


FIG. 10