



US00D923335S

(12) **United States Design Patent**
Kellerer

(10) **Patent No.:** **US D923,335 S**

(45) **Date of Patent:** **** Jun. 29, 2021**

(54) **CRATE**

CPC B65D 25/28; B65D 33/004; A01K 1/0245
See application file for complete search history.

(71) Applicant: **Schoeller Allibert GmbH**, Schwerin (DE)

(72) Inventor: **Richard Kellerer**, Pullach (DE)

(73) Assignee: **Schoeller Allibert GmbH**, Schwerin (DE)

(**) Term: **15 Years**

(21) Appl. No.: **35/508,654**

(22) Filed: **Aug. 19, 2019**

(80) **Hague Agreement Data**

Int. Filing Date: **Aug. 19, 2019**

Int. Reg. No.: **DM/204109**

Int. Reg. Date: **Aug. 19, 2019**

Int. Reg. Pub. Date: **Feb. 14, 2020**

(30) **Foreign Application Priority Data**

Feb. 21, 2019 (EM) 006263232-0001

(51) **LOC (13) Cl.** **03-01**

(52) **U.S. Cl.**
USPC **D3/304**

(58) **Field of Classification Search**
USPC D3/217, 234, 255, 271.9, 256, 262, 279,
D3/299, 301, 303, 305, 315, 317, 318,
D3/319, 273, 289, 292, 294-296, 232,
D3/244; D9/432

(56) **References Cited**

U.S. PATENT DOCUMENTS

D248,015 S *	5/1978	Smith	D3/294
D355,073 S *	2/1995	Junaedi	D3/305
D370,344 S *	6/1996	Kim	D3/305
D646,482 S *	10/2011	Deguglimo	D3/276
D663,121 S *	7/2012	Barth	D3/304
D801,688 S *	11/2017	Holland	D3/309
D859,836 S *	9/2019	Ritzberger	D3/309

* cited by examiner

Primary Examiner — Holly E Thurman

(57) **CLAIM**

The ornamental design for a crate, as shown and described.

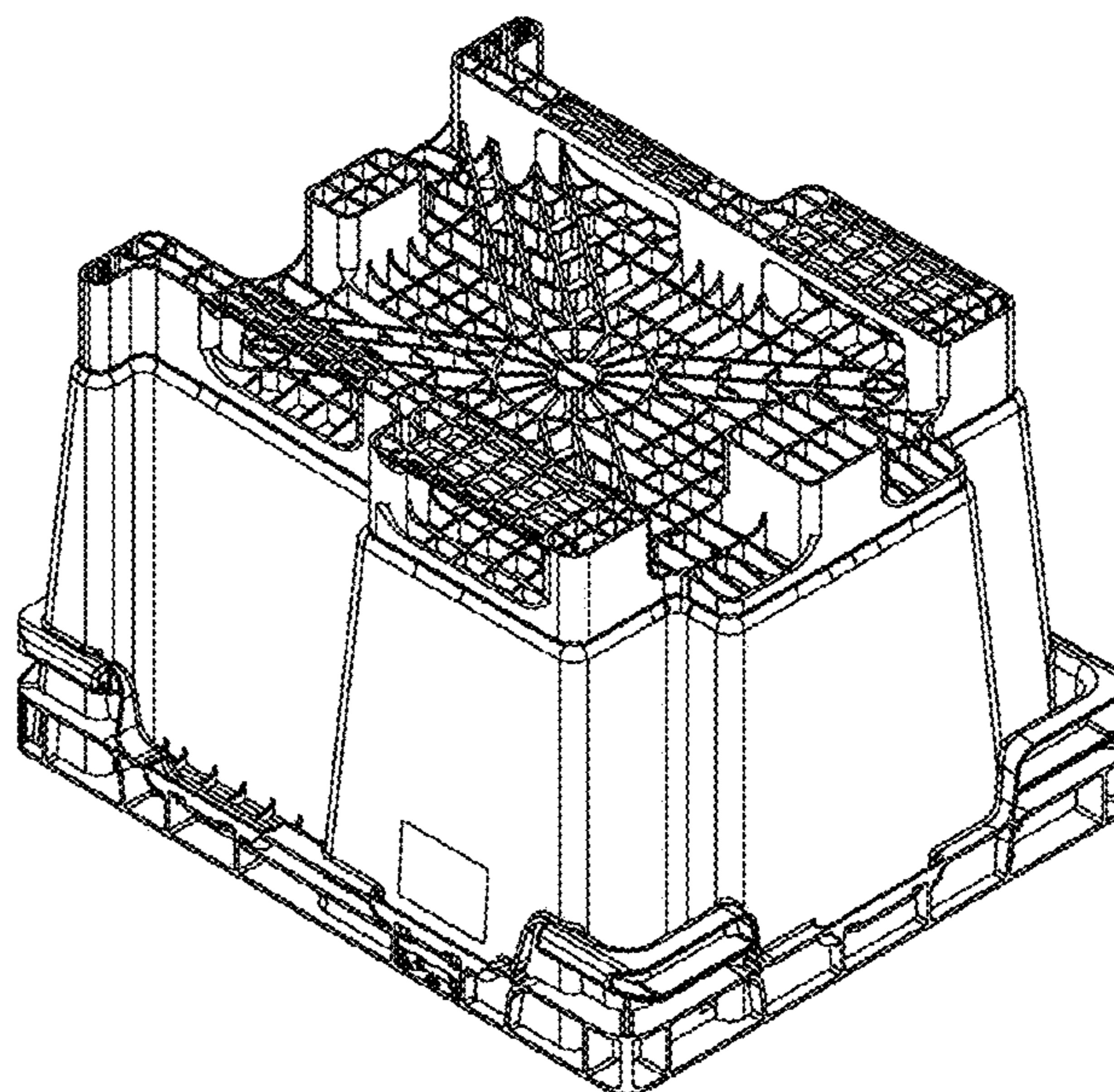
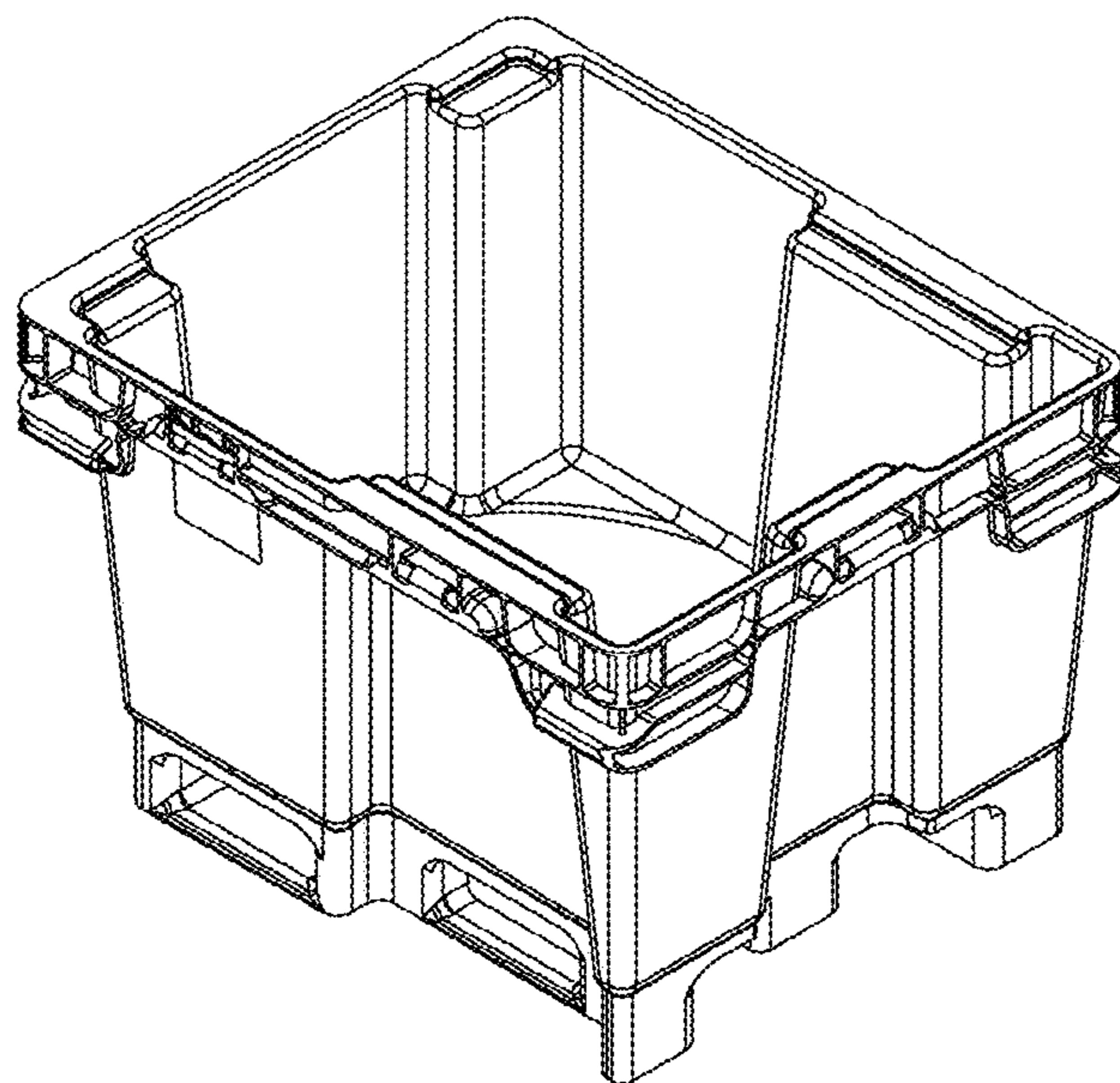
DESCRIPTION

1. Crate

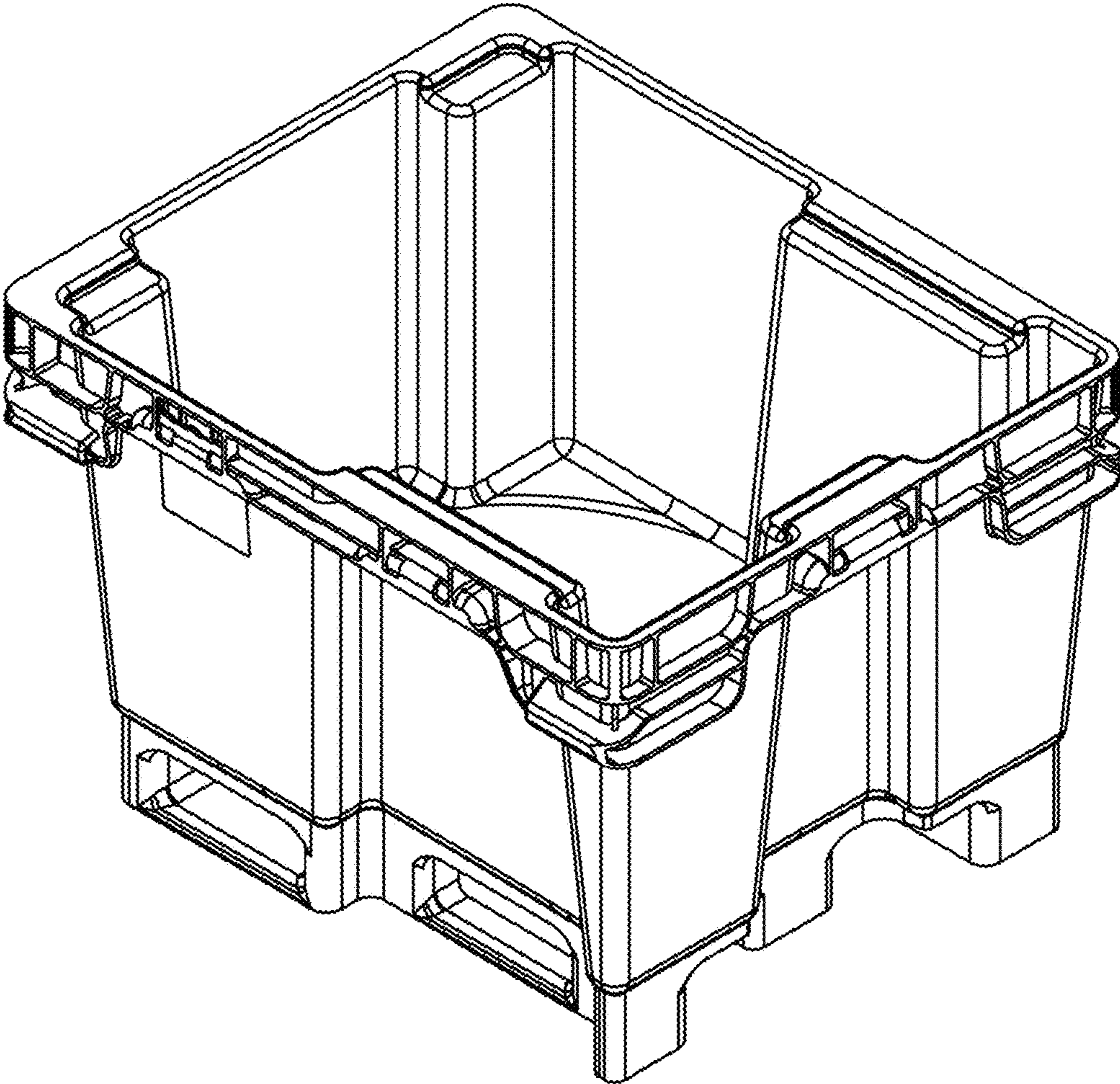
Fig. 1.1 - perspective top view; fig. 1.2 - long side view; fig. 1.3 - long side view; fig. 1.4 - short side view; fig. 1.5 - short side view; fig. 1.6 - top view; fig. 1.7 - perspective bottom view; fig. 1.8 - bottom view.

The broken lines in Figure 1.8 are for illustration purposes only and form no part of the claimed design.

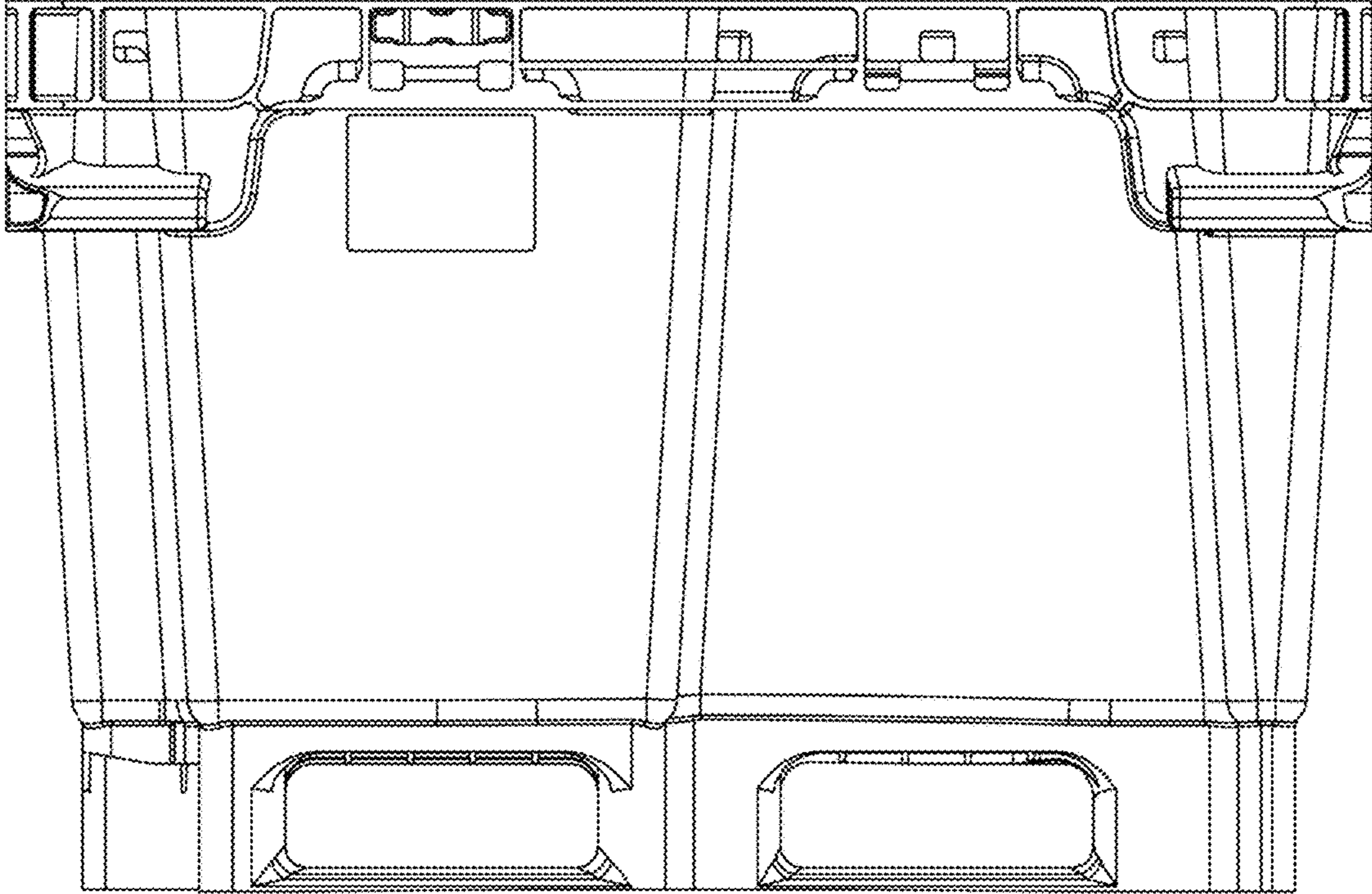
1 Claim, 8 Drawing Sheets



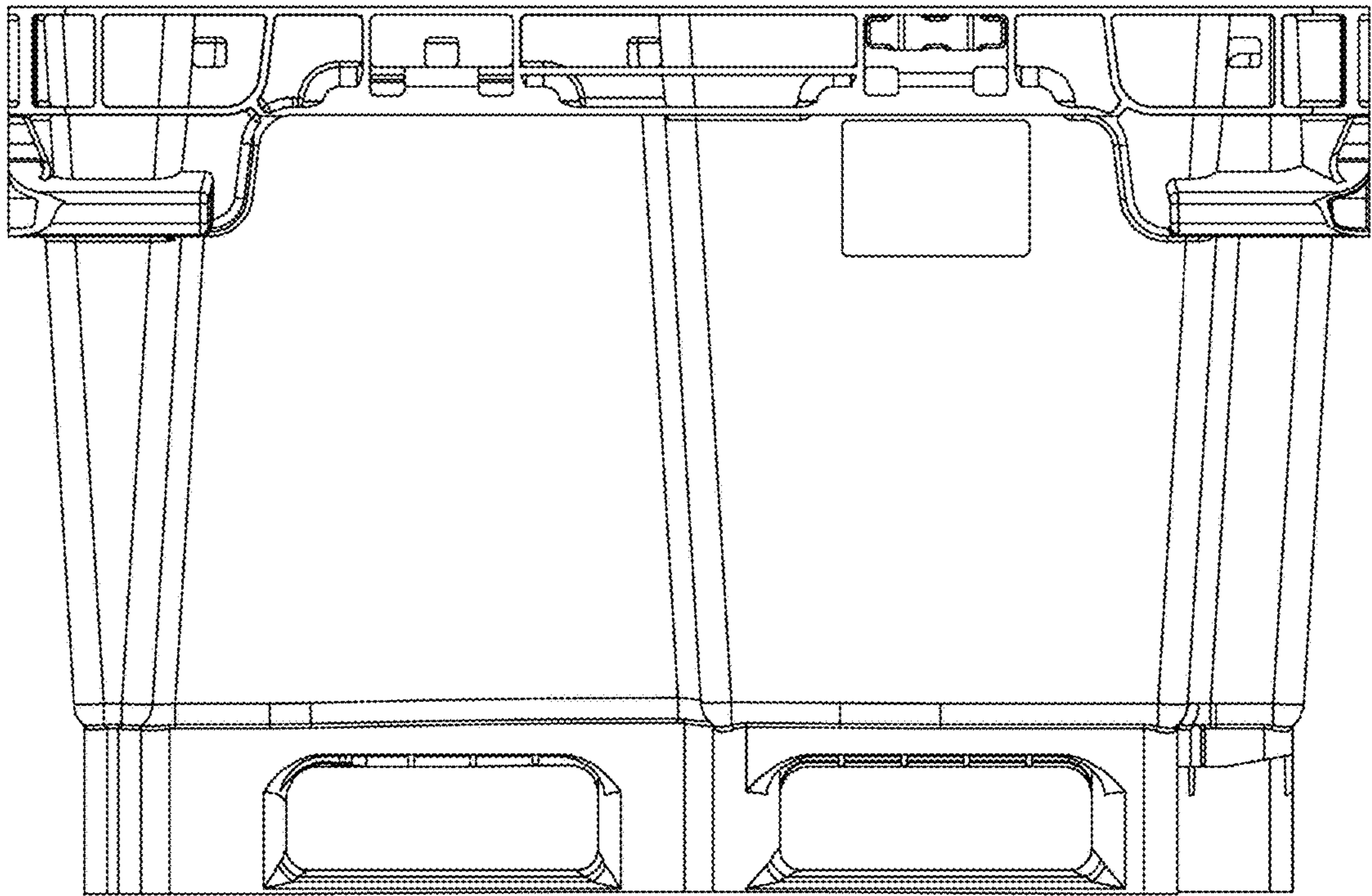
1.1



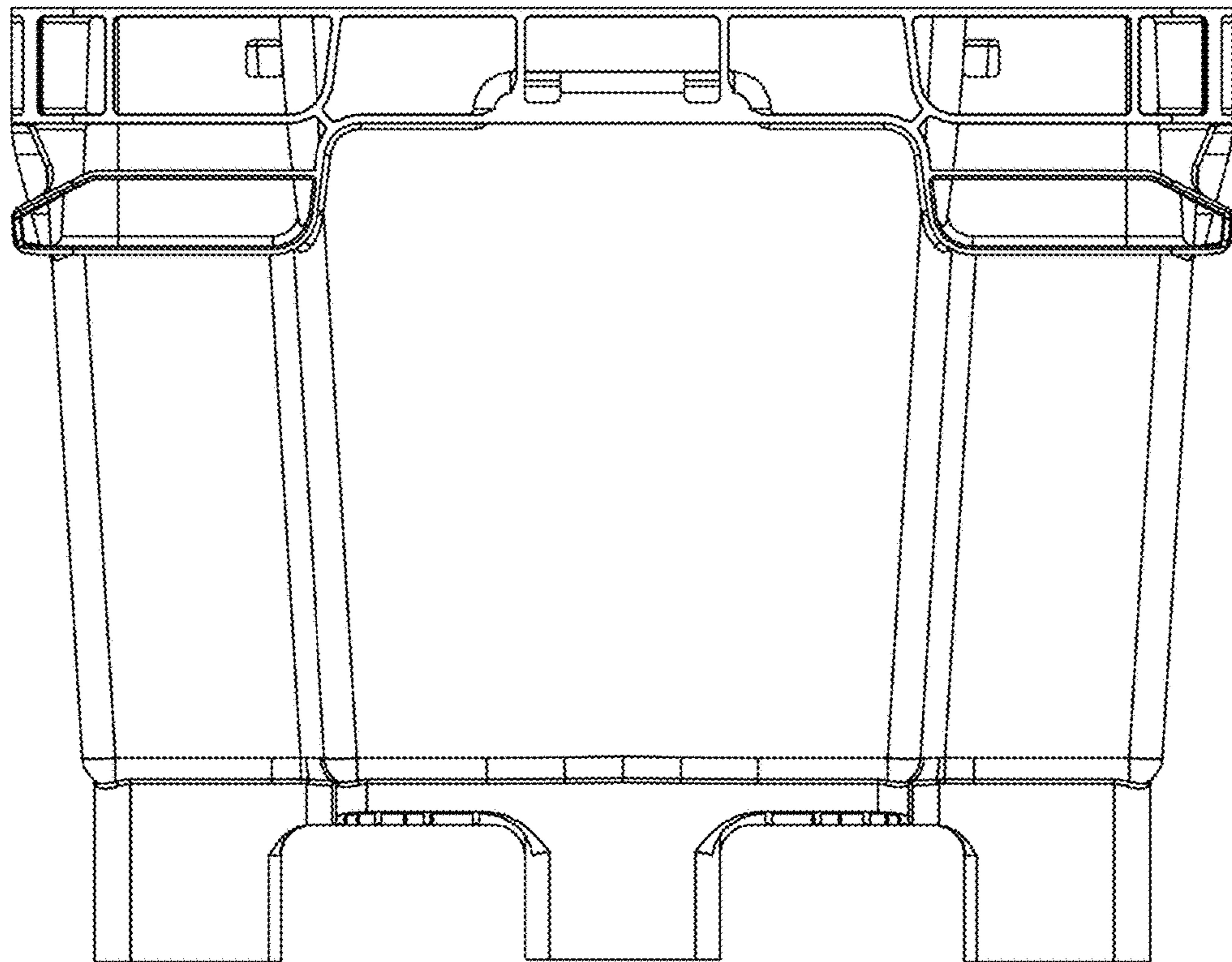
1.2



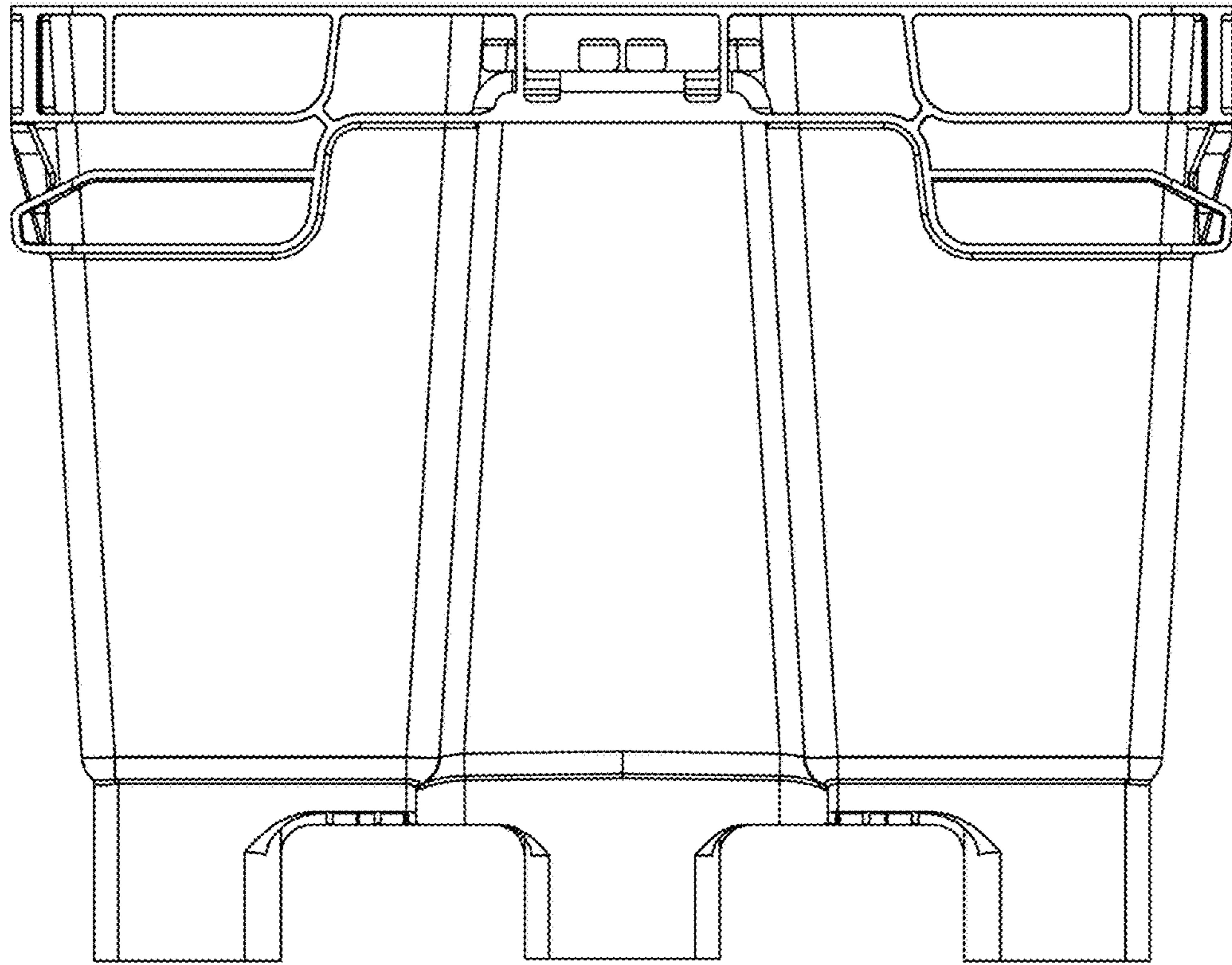
1.3



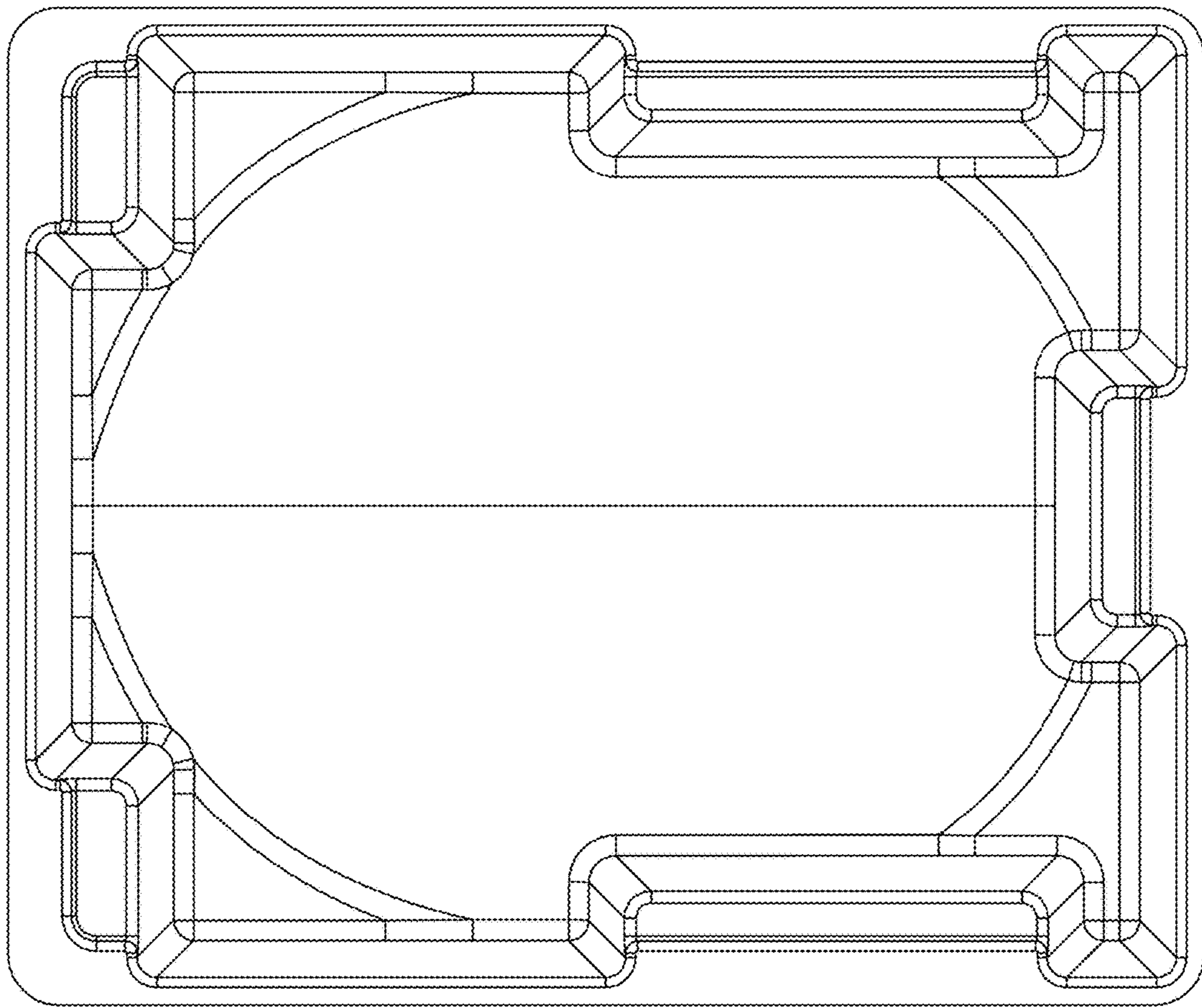
1.4



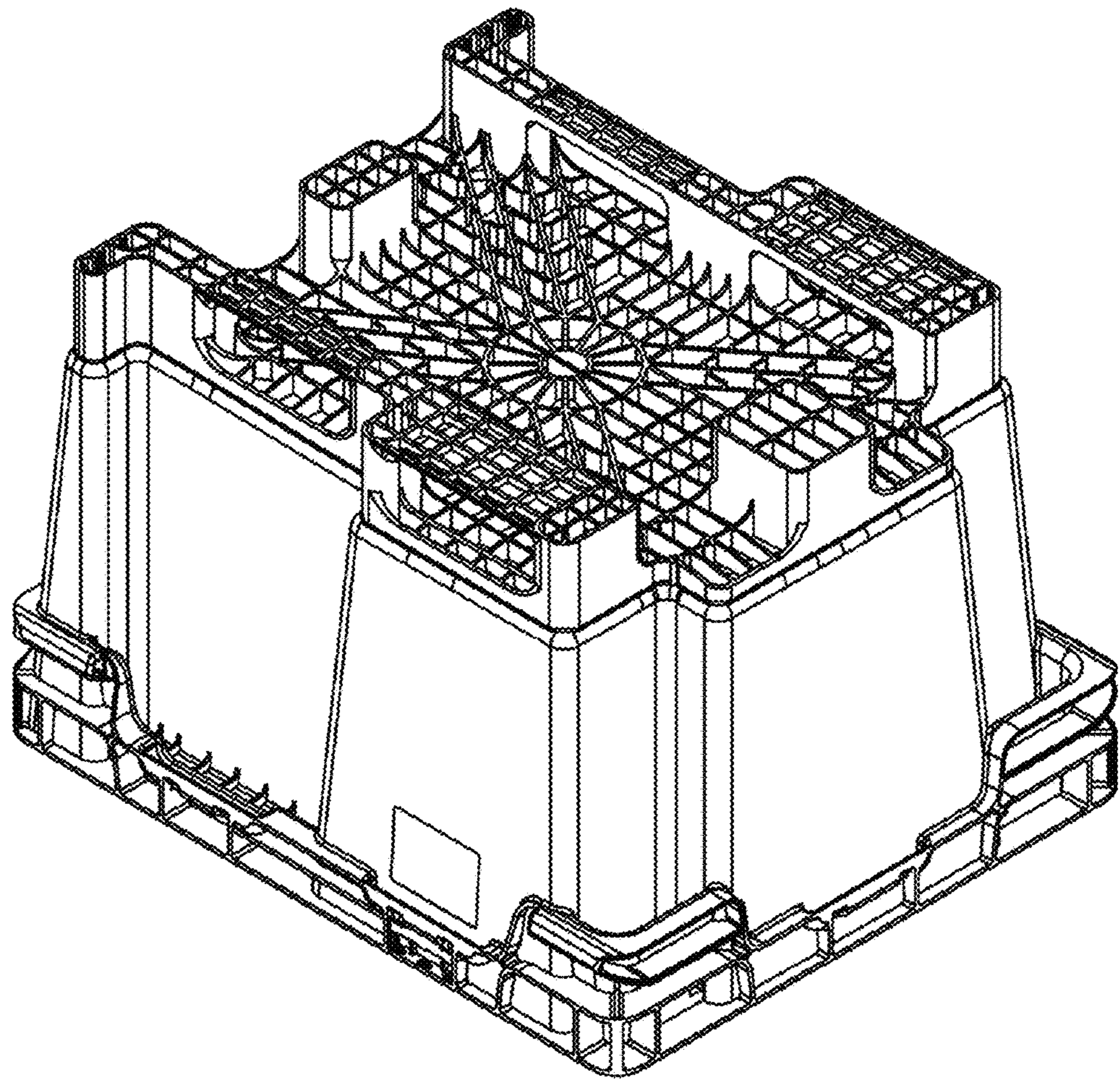
1.5



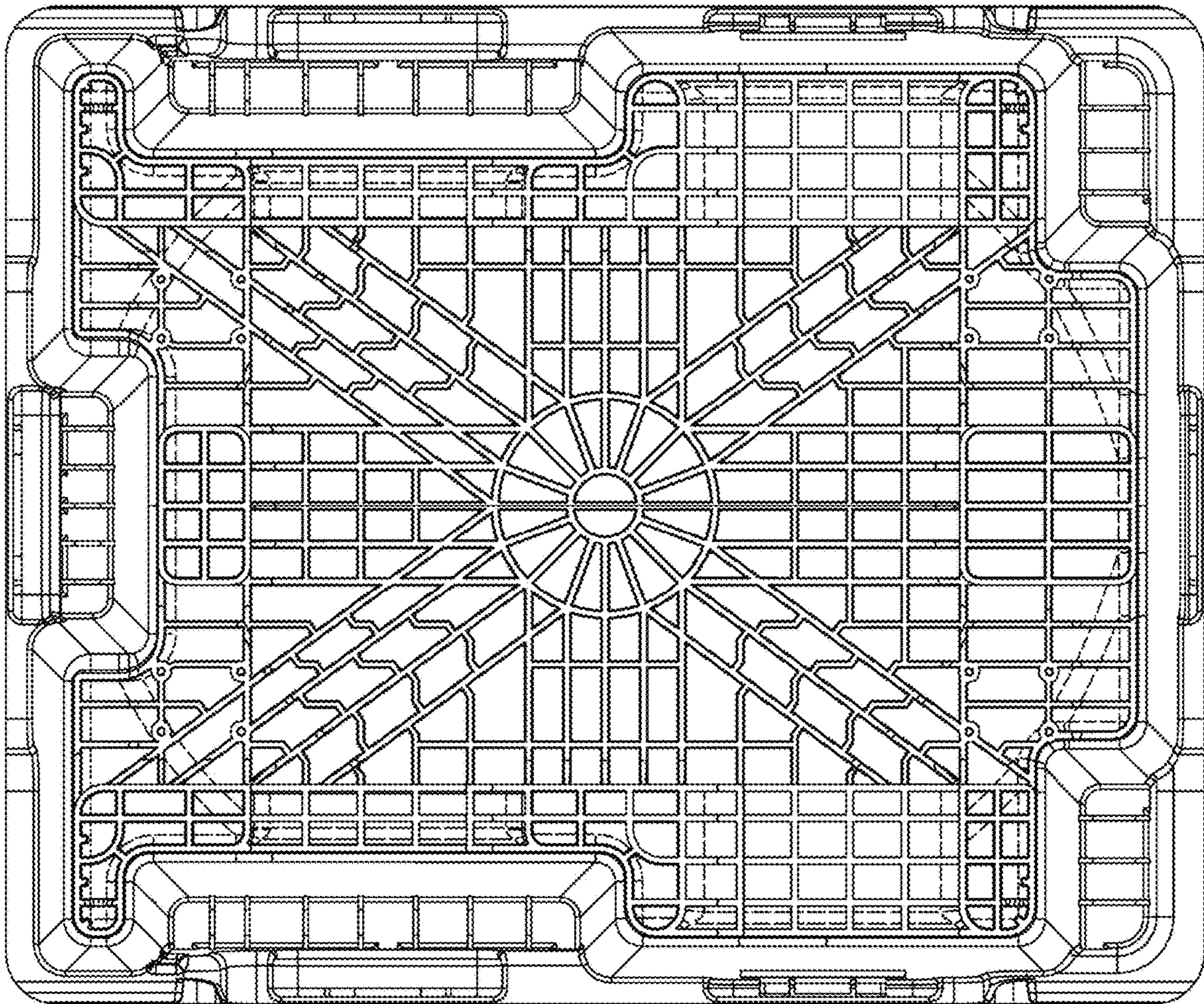
1.6



1.7



1.8



UNITED STATES PATENT AND TRADEMARK OFFICE
CERTIFICATE OF CORRECTION

PATENT NO. : D923,335 S
APPLICATION NO. : 35/508654
DATED : June 29, 2021
INVENTOR(S) : Richard Kellerer

Page 1 of 1

It is certified that error appears in the above-identified patent and that said Letters Patent is hereby corrected as shown below:

On the Title Page

Item [80], delete "Int. Reg. Pub. Date: Feb. 14, 2020"

Insert -- Int. Reg. Pub. Date: Feb. 21, 2020 --.

Item [51], Locarno class delete "03-01"

Insert -- LOC (13) CL. 09-04 --.

Signed and Sealed this
Fourteenth Day of September, 2021



Drew Hirshfeld
*Performing the Functions and Duties of the
Under Secretary of Commerce for Intellectual Property and
Director of the United States Patent and Trademark Office*