



US00D923333S

(12) **United States Design Patent** (10) **Patent No.:** **US D923,333 S**
Sato (45) **Date of Patent:** **** Jun. 29, 2021**

(54) **WALLET**

D895,276 S * 9/2020 Leh D3/247
 D903,312 S * 12/2020 Bauer D3/247

(71) Applicant: **Hiroataka Sato**, Tokyo (JP)

* cited by examiner

(72) Inventor: **Hiroataka Sato**, Tokyo (JP)

Primary Examiner — Holly E Thurman

(**) Term: **15 Years**

(57) **CLAIM**

The ornamental design for a wallet, as shown and described.

(21) Appl. No.: **35/507,803**

DESCRIPTION

(22) Filed: **May 14, 2019**

(80) **Hague Agreement Data**

Int. Filing Date: **May 14, 2019**
 Int. Reg. No.: **DM/203565**
 Int. Reg. Date: **May 14, 2019**
 Int. Reg. Pub. Date: **Nov. 15, 2019**

- 1. Wallet
- 1.1 Cross sectional
- 1.2 Perspective
- 1.3 Perspective
- 1.4 Unfolded
- 1.5 Front
- 1.6 Left
- 1.7 Top
- 1.8 Back
- 1.9 Right
- 1.10 Bottom
- 1.11 Cross sectional
- 1.12 Cross sectional
- 1.13 Cross sectional

(30) **Foreign Application Priority Data**

Dec. 21, 2018 (JP) 2018-028120
 Dec. 28, 2018 (JP) 2018-028993

The broken lines do not form part of the claimed design; the dotted-dashed lines indicate the boundary between the claimed area and the unclaimed area; reproductions 1.2 and 1.3 show the inner case of the product indicated in solid lines, including the unclaimed area; the broken lines on the surface of the inner case of the product shown in reproductions 1.1 to 1.4 are stitches; reproduction 1.2 is a perspective view indicating the state in which the front panel of the outer case is folded; reproduction 1.1 indicates the state in which the front panel of the outer case is removed; reproduction 1.4 is an unfolded view indicating the unfolded state of the inner case; reproduction 1.11 is a cross-sectional view cut vertically at the left end portion of the product; reproduction 1.12 is a cross-sectional view cut horizontally at the top end portion of the product; reproduction 1.13 is a cross-sectional view cut horizontally at the bottom end portion of the product.

(51) **LOC (13) Cl.** **03-01**

(52) **U.S. Cl.**
USPC **D3/247**

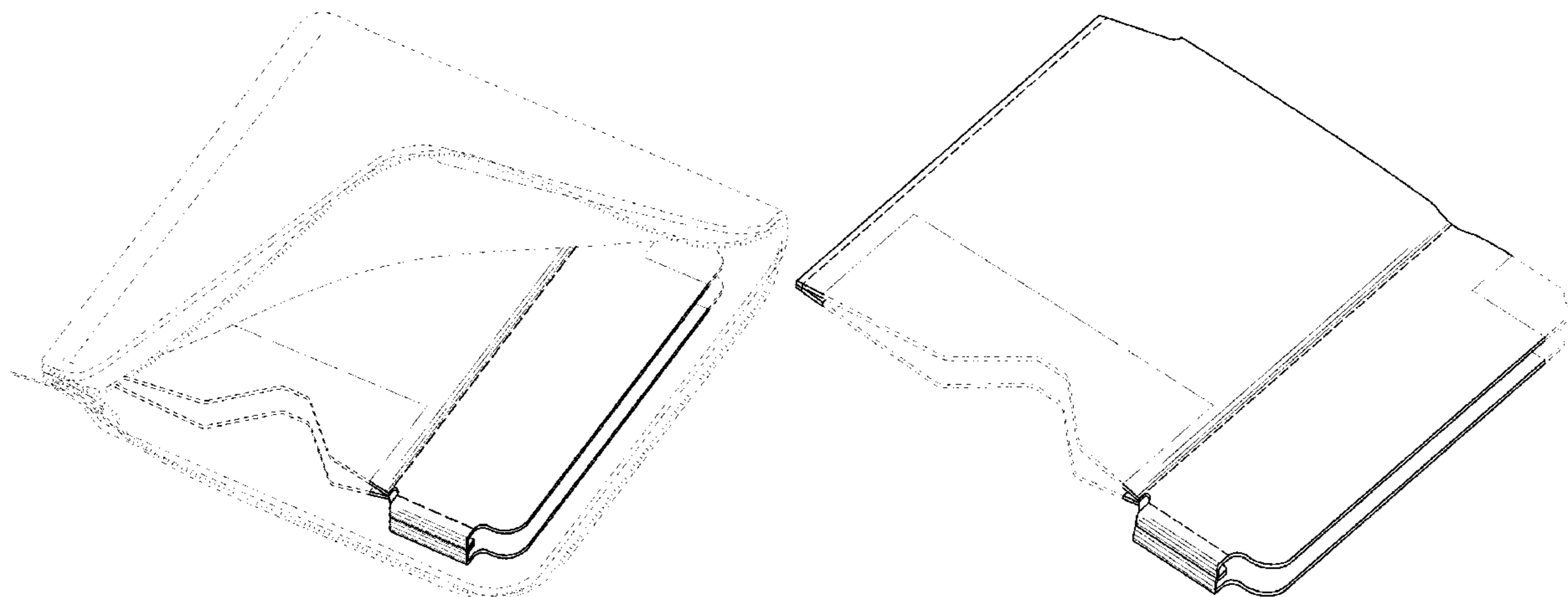
(58) **Field of Classification Search**
 USPC D3/203.1, 203.5, 203.6, 203.8, 225–227,
 D3/247–253, 273, 299, 301, 303
 CPC G09F 1/10
 See application file for complete search history.

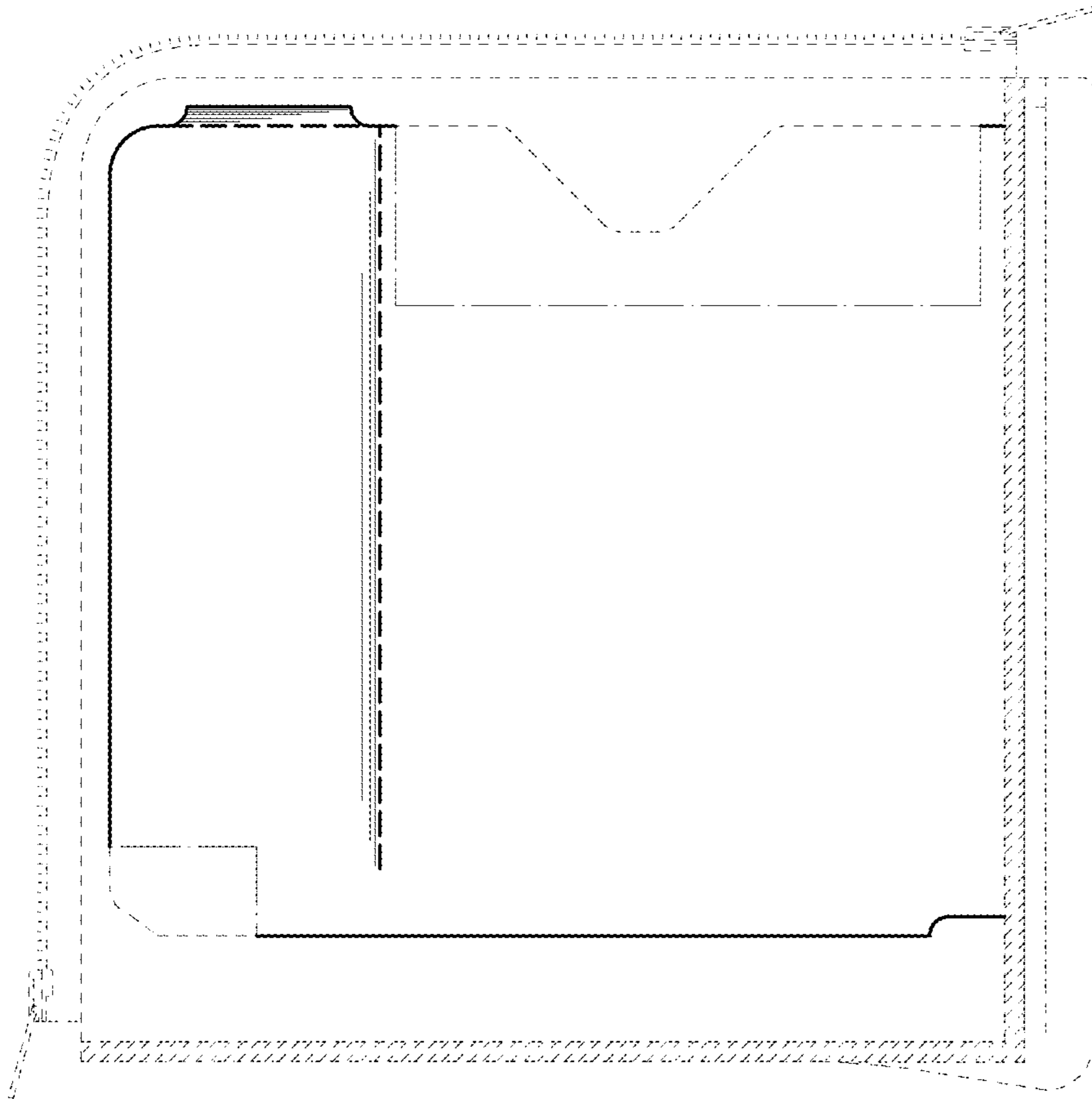
(56) **References Cited**

U.S. PATENT DOCUMENTS

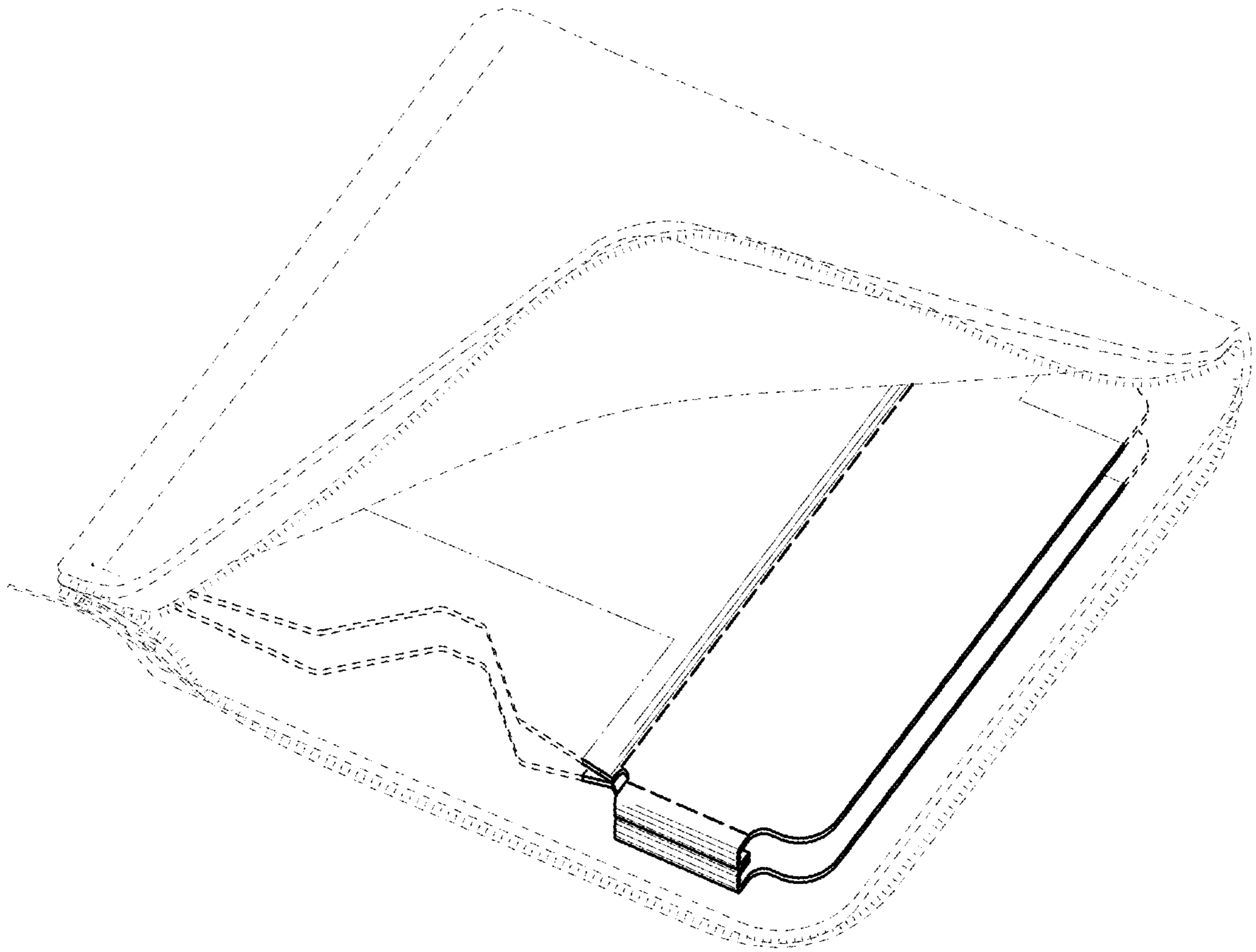
D384,499 S * 10/1997 Gaestel D3/247
 D385,417 S * 10/1997 White 224/666
 D715,545 S * 10/2014 McDaniel D3/247
 D780,449 S * 3/2017 King D3/247
 D782,189 S * 3/2017 Bauer D3/247

1 Claim, 10 Drawing Sheets

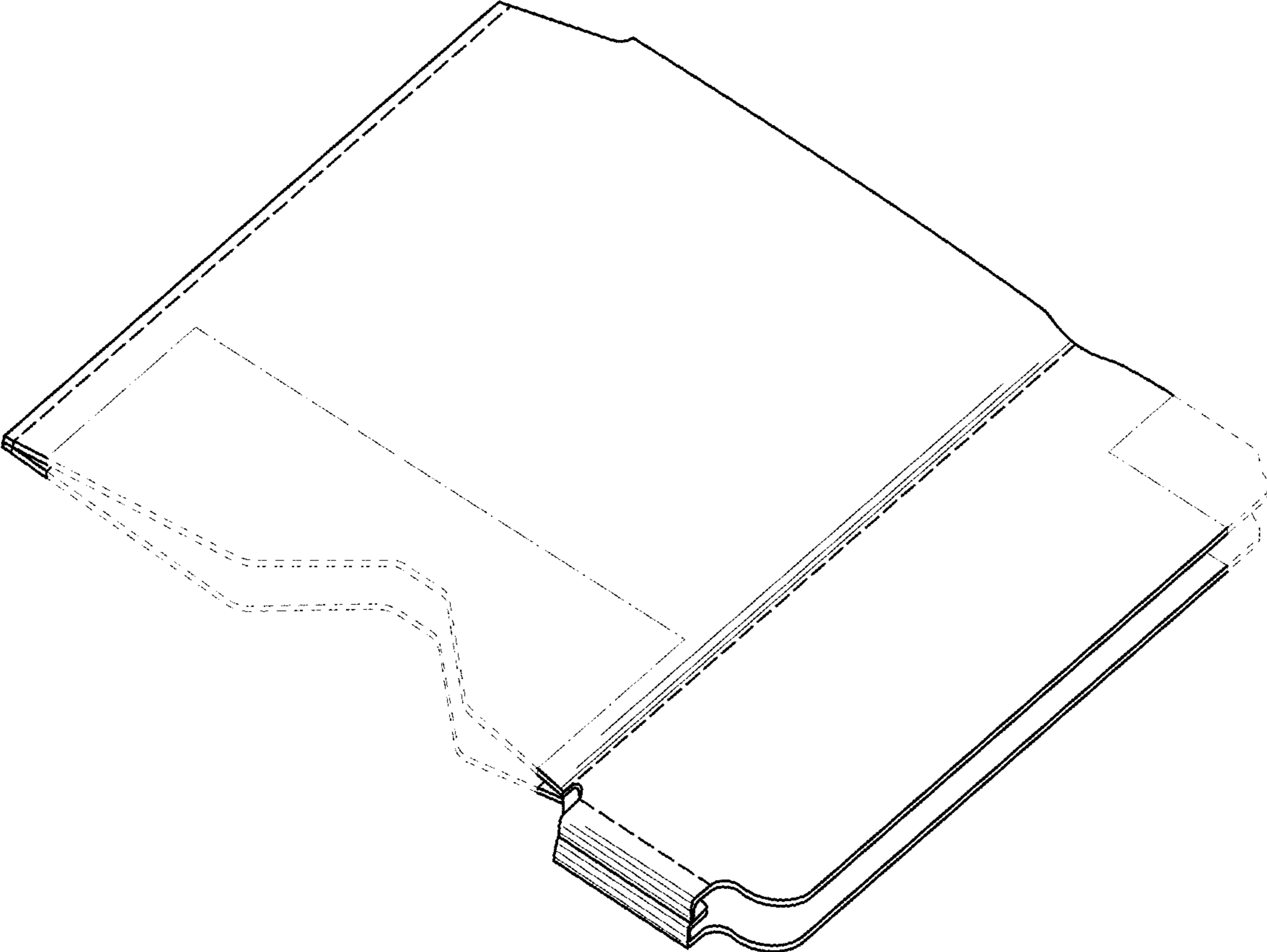




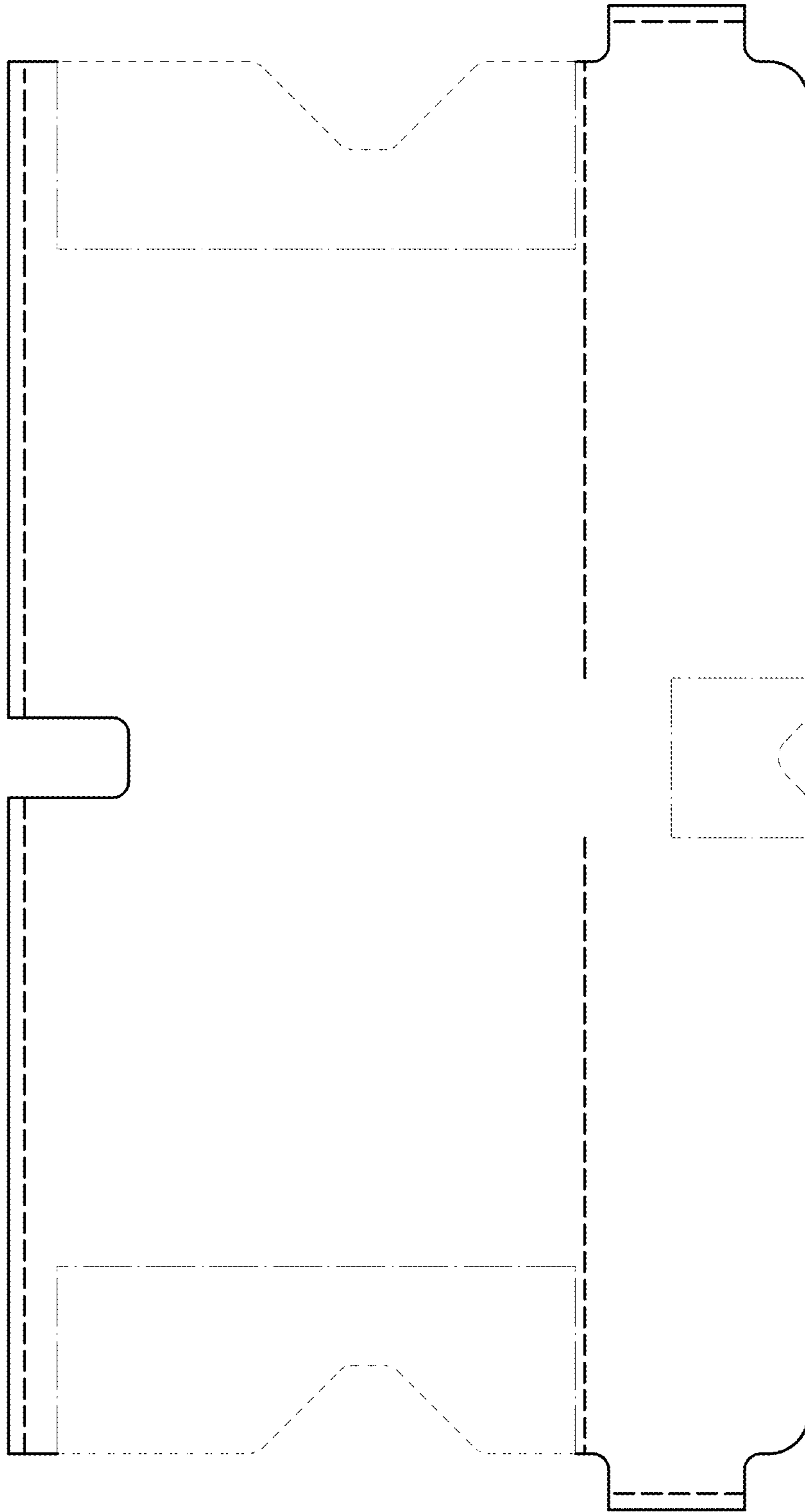
1.1



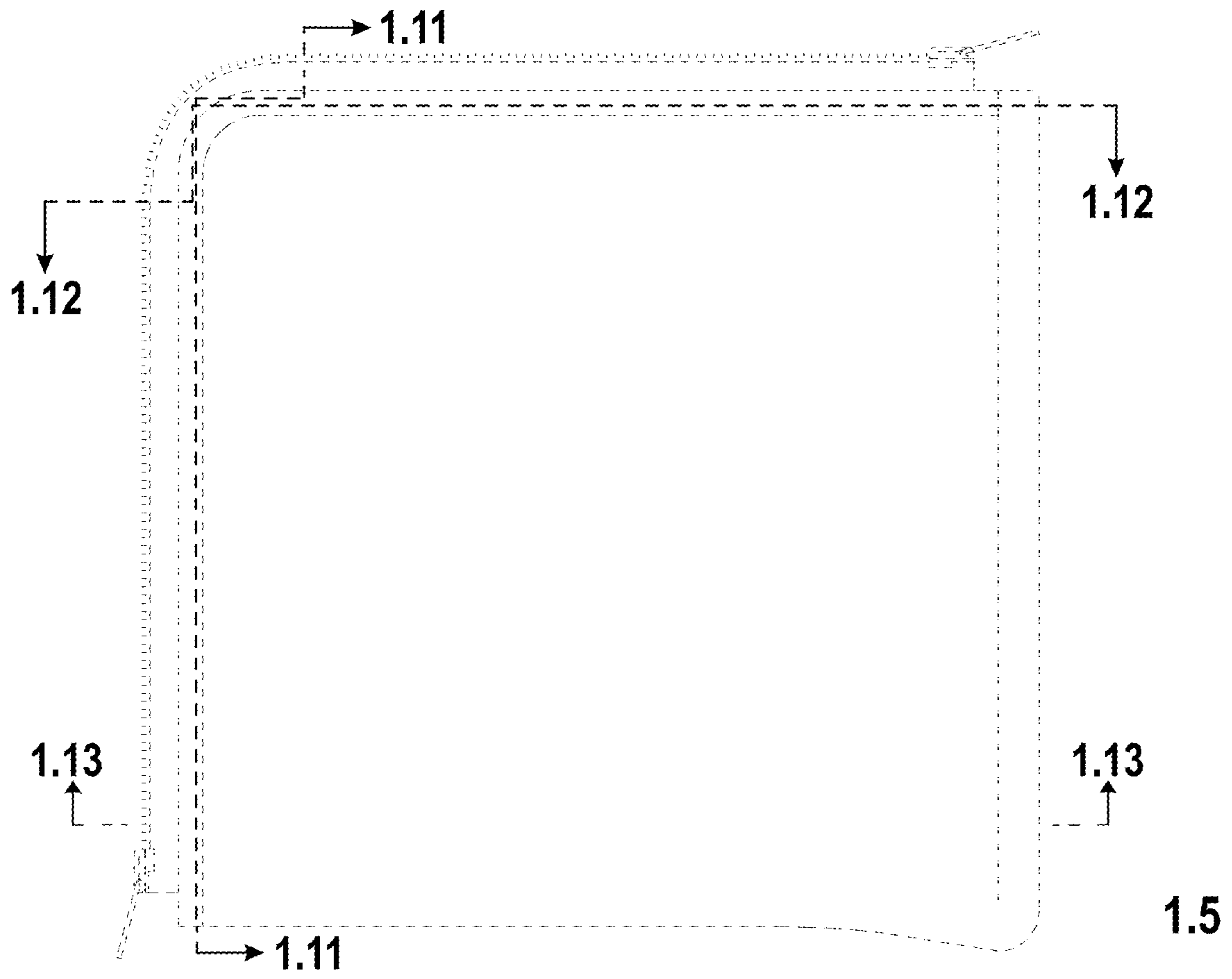
1.2

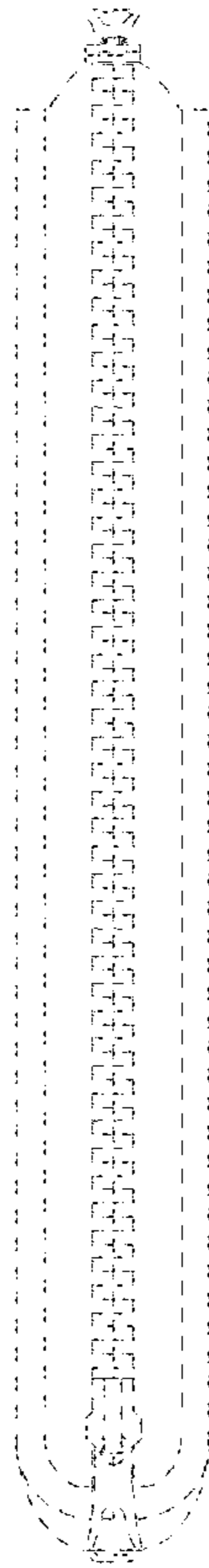


1.3

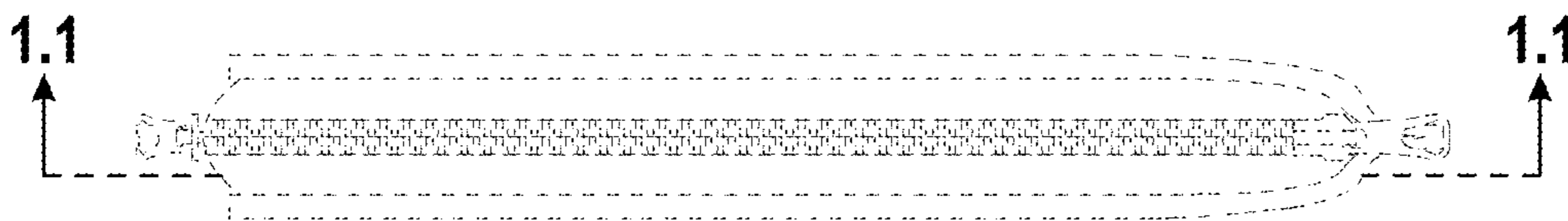


1.4

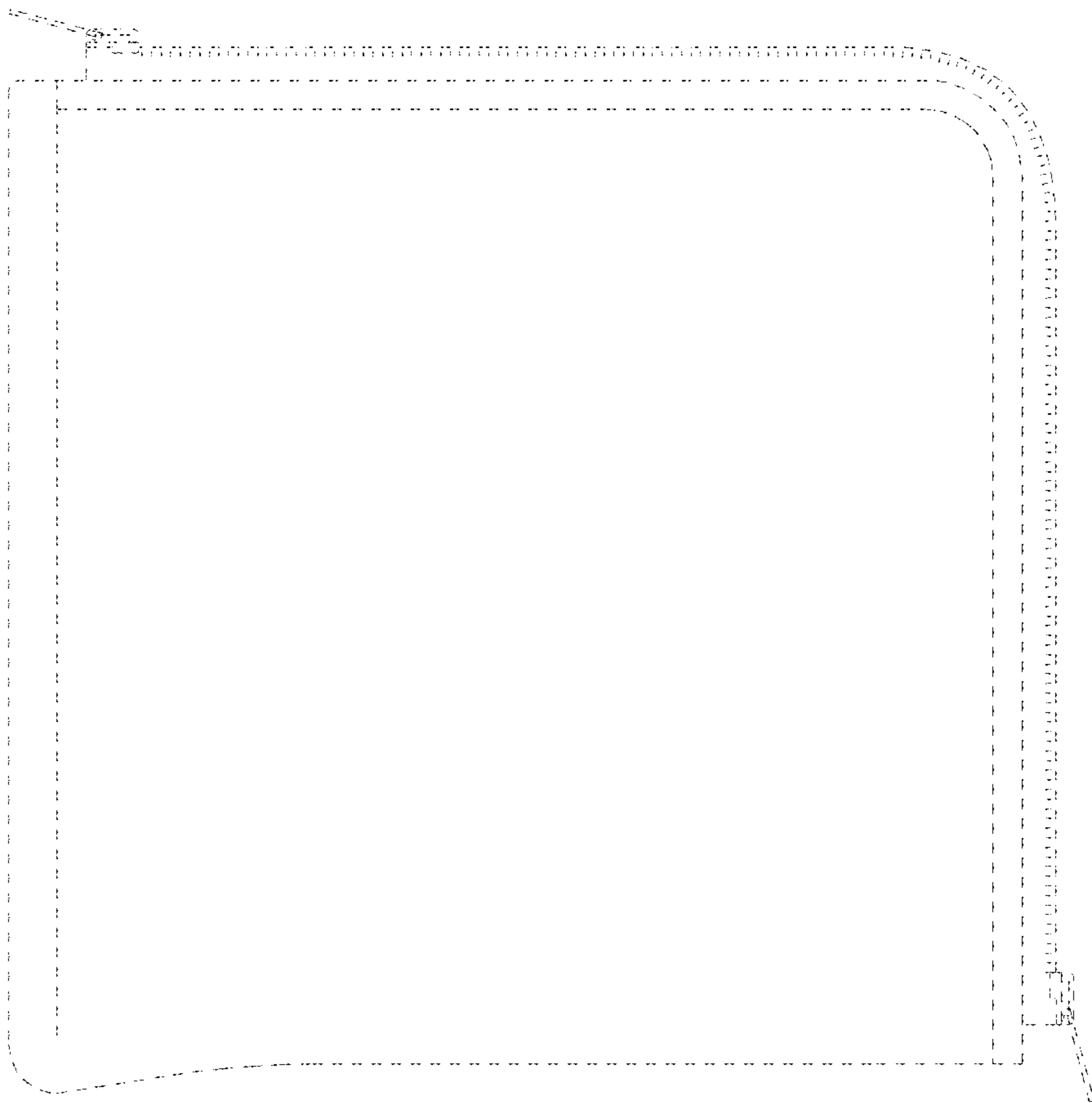




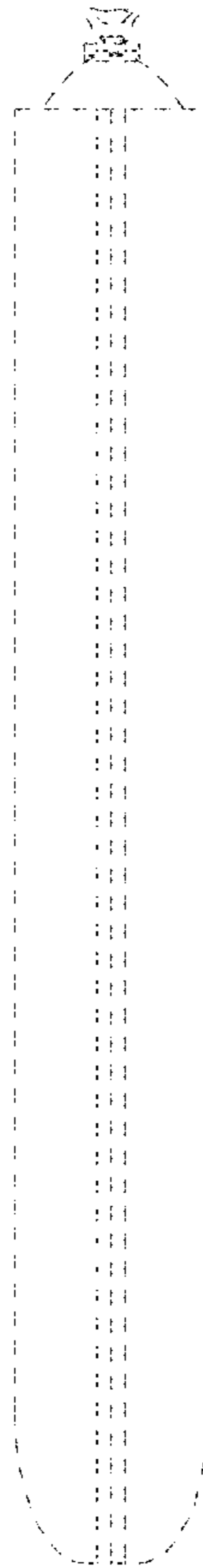
1.6



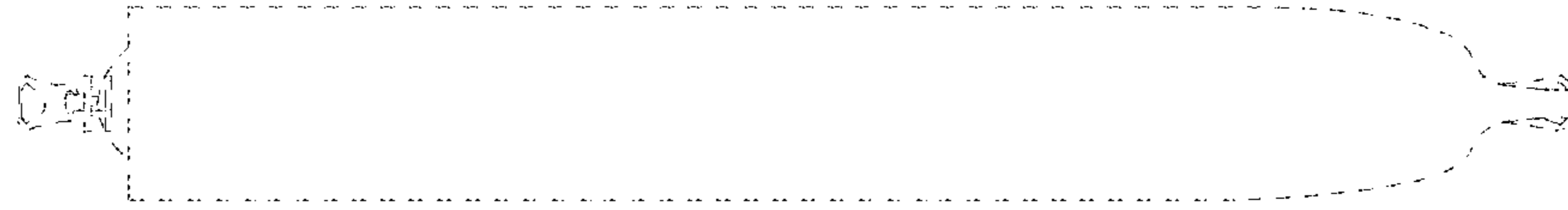
1.7



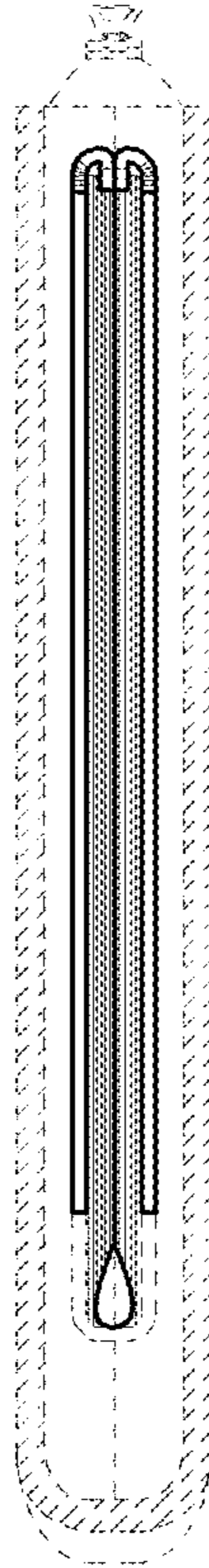
1.8



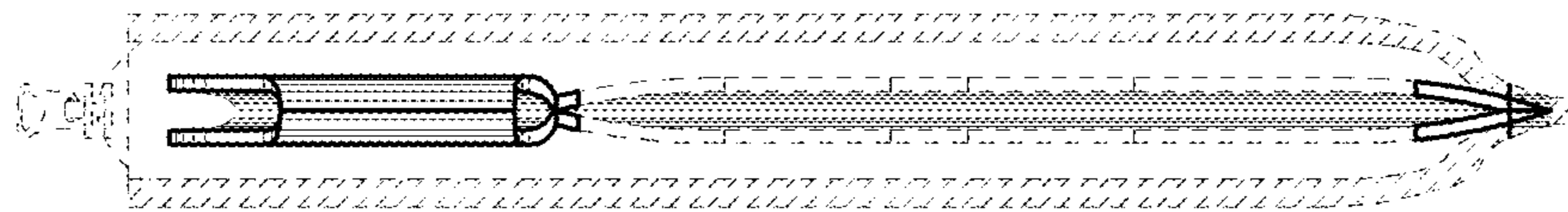
1.9



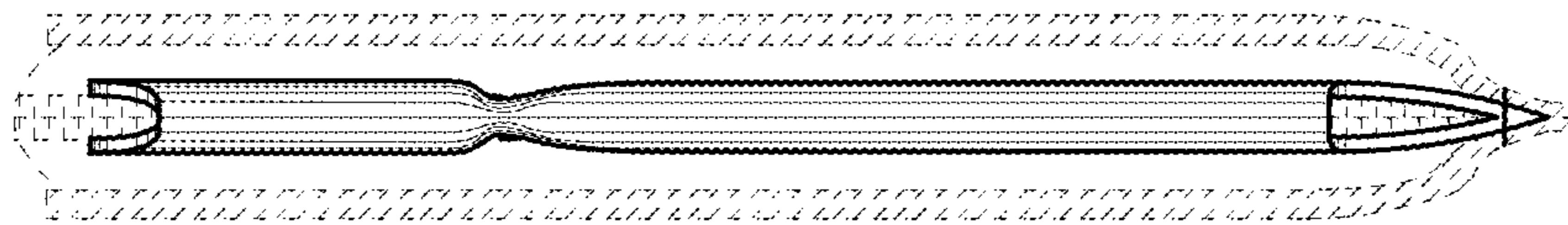
1.10



1.11



1.12



1.13