



US00D923330S

(12) **United States Design Patent**
Zuniga

(10) **Patent No.:** **US D923,330 S**

(45) **Date of Patent:** **** Jun. 29, 2021**

(54) **FLASK PURSE**

(71) Applicant: **Xiomara Zuniga**, Miramar, FL (US)

(72) Inventor: **Xiomara Zuniga**, Miramar, FL (US)

(**) Term: **15 Years**

(21) Appl. No.: **29/710,937**

(22) Filed: **Oct. 28, 2019**

(51) **LOC (13) Cl.** **03-01**

(52) **U.S. Cl.**
USPC **D3/233**

(58) **Field of Classification Search**
USPC D3/202, 232–234, 238–240, 243, 303,
D3/318–319; D7/510, 619.1; D9/544,
D9/573
CPC . A45F 2200/0583; A45C 3/06; B65D 1/0246;
B65D 1/04
See application file for complete search history.

(56) **References Cited**

U.S. PATENT DOCUMENTS

- 1,401,426 A * 12/1921 Metternich A45C 3/06
150/112
- 3,732,999 A * 5/1973 Rounkles B65D 1/04
215/6
- D252,355 S * 7/1979 Uber 224/600
- D322,358 S * 12/1991 Jacober D3/202
- D368,367 S * 4/1996 Sharp D3/226
- D379,711 S * 6/1997 Fitzgerald D3/202
- D396,554 S * 8/1998 Roeder D3/232
- 5,954,238 A * 9/1999 Rausch A45F 5/00
222/158
- D520,234 S * 5/2006 Schmitt D3/243
- D555,899 S * 11/2007 Spagnuolo D3/232
- D582,664 S * 12/2008 Degliobizzi D3/232
- D589,699 S * 4/2009 Silvera D3/218
- D621,609 S * 8/2010 Hasty D3/232
- D699,433 S * 2/2014 Kuster D3/232
- D707,967 S * 7/2014 Spallone D3/303
- D718,044 S * 11/2014 Vargo D3/202

- D736,517 S * 8/2015 Lee D3/202
- D741,595 S * 10/2015 Staley D3/233
- D770,766 S * 11/2016 Slimane D3/243
- D781,579 S * 3/2017 Kropik D3/243
- D787,178 S * 5/2017 Maier D3/232
- D816,983 S * 5/2018 LiCalsi D3/202
- D855,981 S * 8/2019 Vickery D3/243
- D882,249 S * 4/2020 Nair D3/232
- D897,097 S * 9/2020 Hanley D3/243

OTHER PUBLICATIONS

“Chrystal mini”, First Available Feb. 12, 2019, The Flask on Facebook.com, Site visited Mar. 5, 2021: <https://www.facebook.com/theflaskclutch/videos/2185052945090494/> (Year: 2019).*

* cited by examiner

Primary Examiner — Jennifer L Watkins
Assistant Examiner — Samantha Lynne Brodowski
(74) *Attorney, Agent, or Firm* — David W Barman

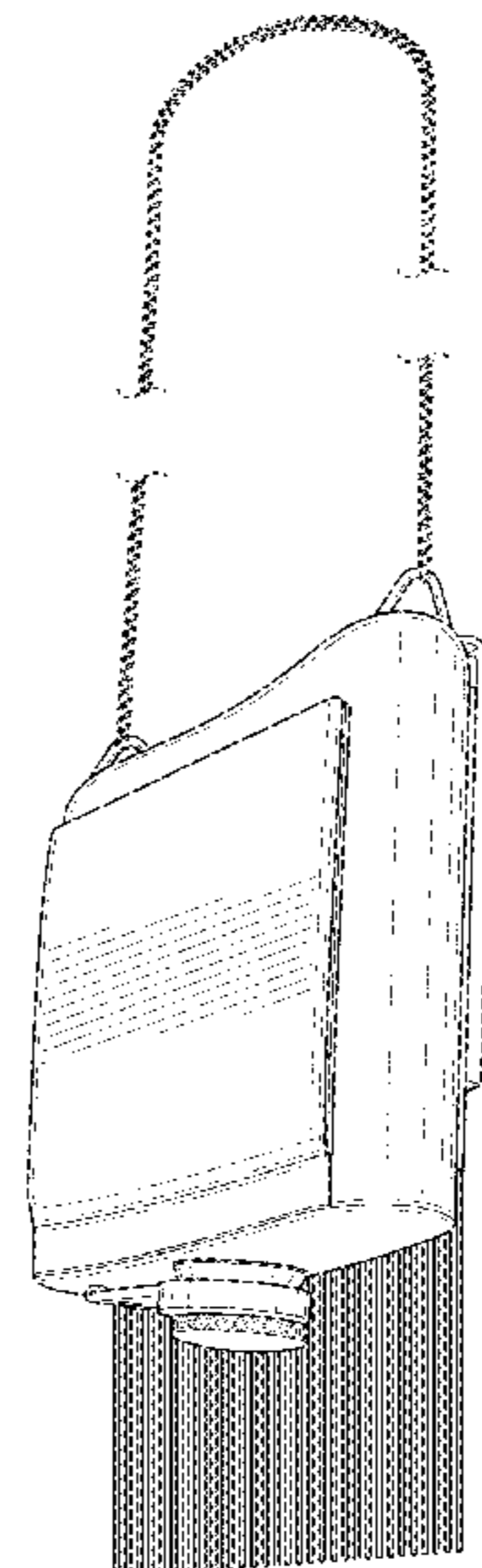
(57) **CLAIM**

The ornamental design for a flask purse, as shown and described.

DESCRIPTION

FIG. 1 is side perspective view of the present invention. FIG. 2 is a front view of the present invention. FIG. 3 is rear view of the present invention. FIG. 4 is a left side view of the present invention. FIG. 5 is a right side view of the present invention. FIG. 6 is a top view of the present invention; and, FIG. 7 is a bottom view of the present invention. The broken lines depicting a strap in FIG. 1 are for the purpose of depicting portions of the article and form no part of the claim. The broken lines showing a symbolic break in the length of the strap form no part of the claim. It is understood that any portion of the article between the break lines forms no part of the claim.

1 Claim, 5 Drawing Sheets



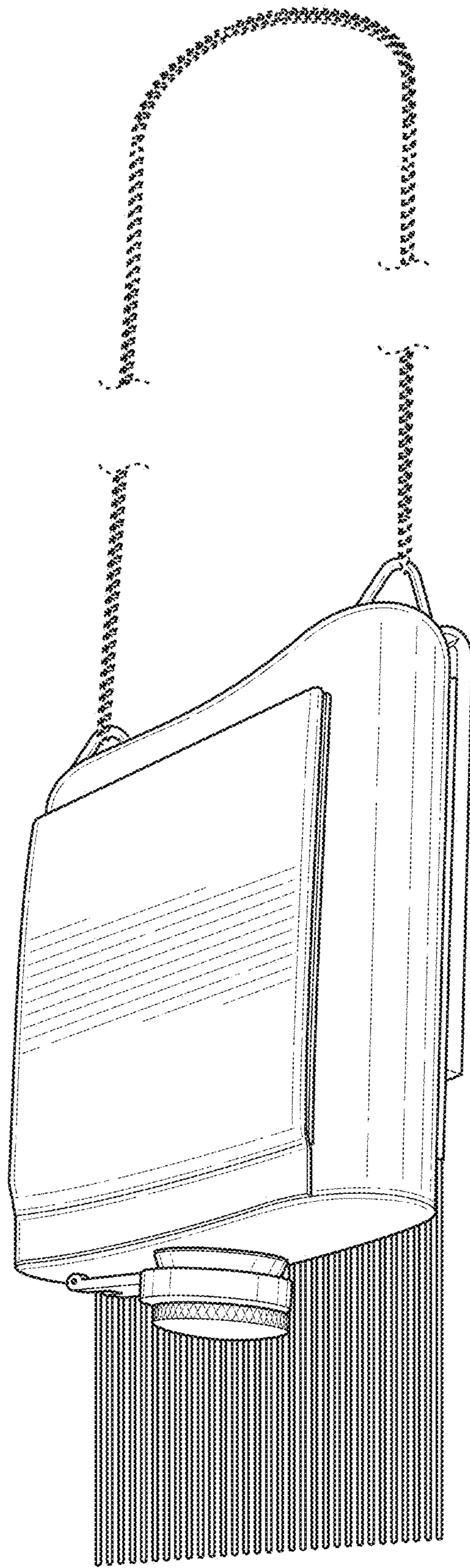


FIG. 1

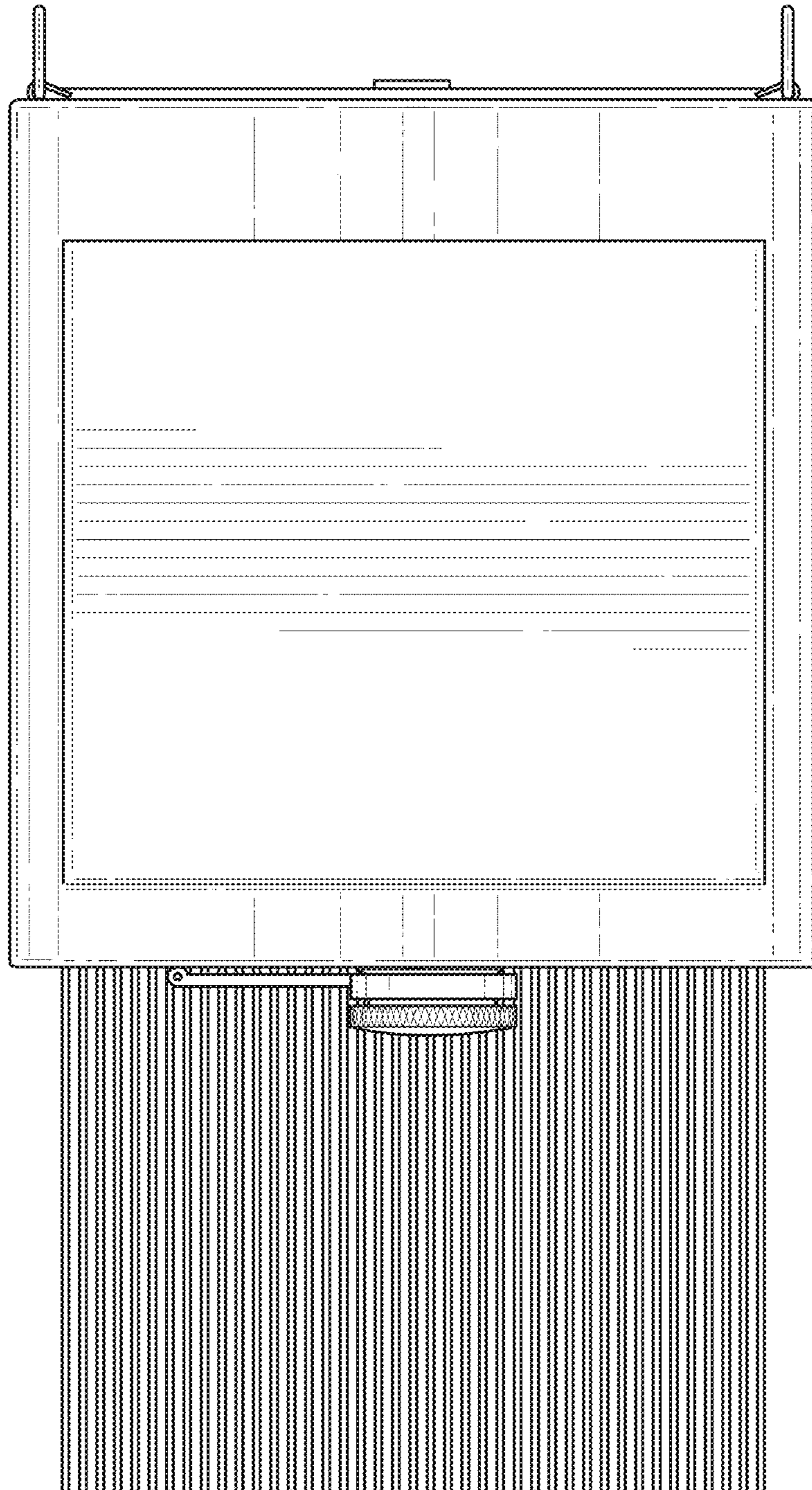


FIG. 2

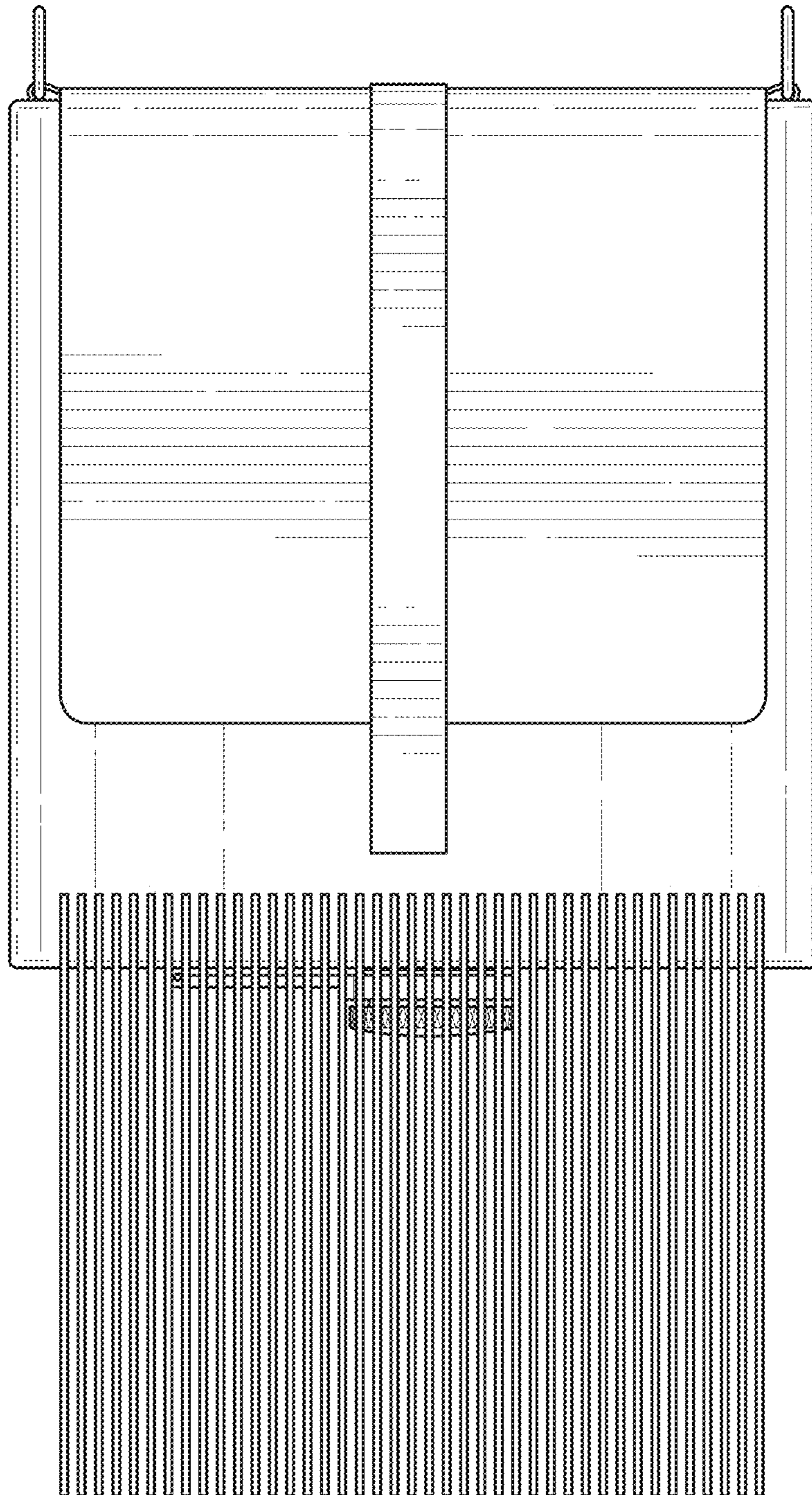


FIG. 3

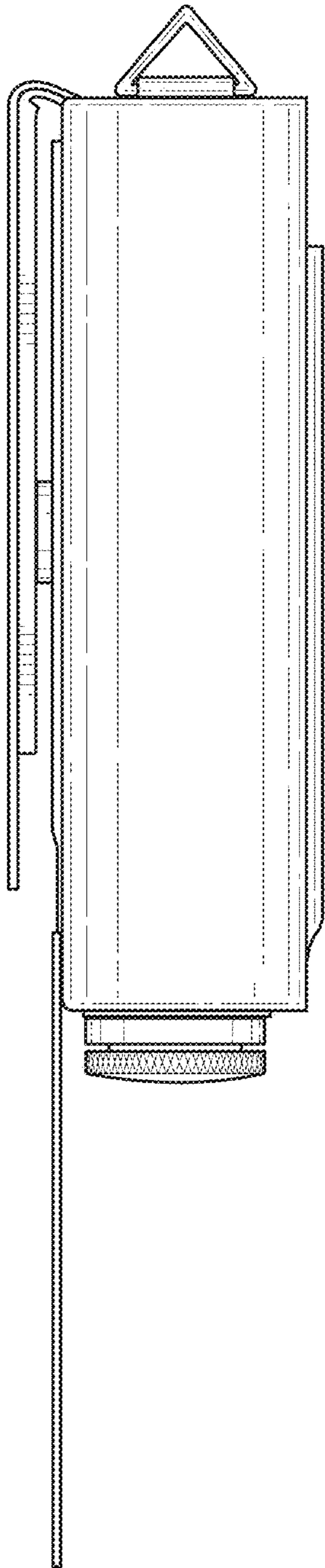


FIG. 4

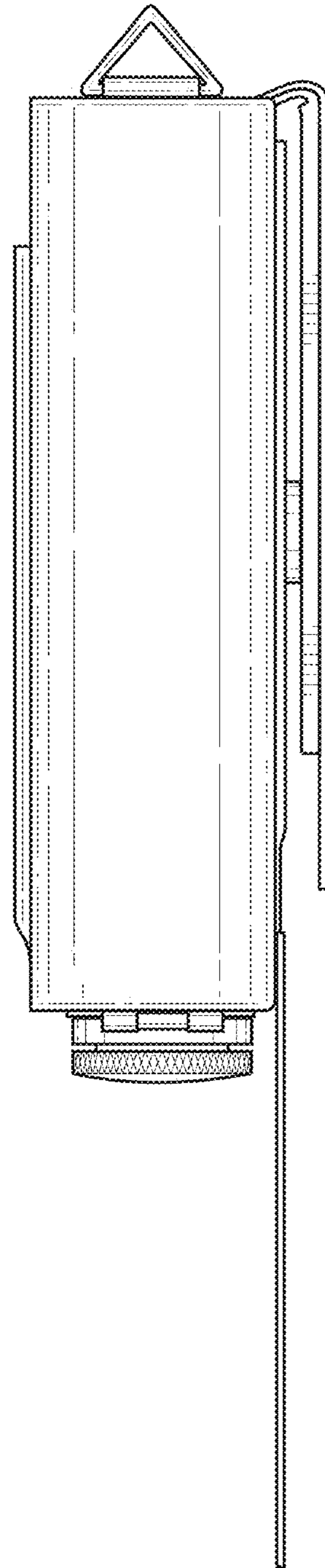


FIG. 5

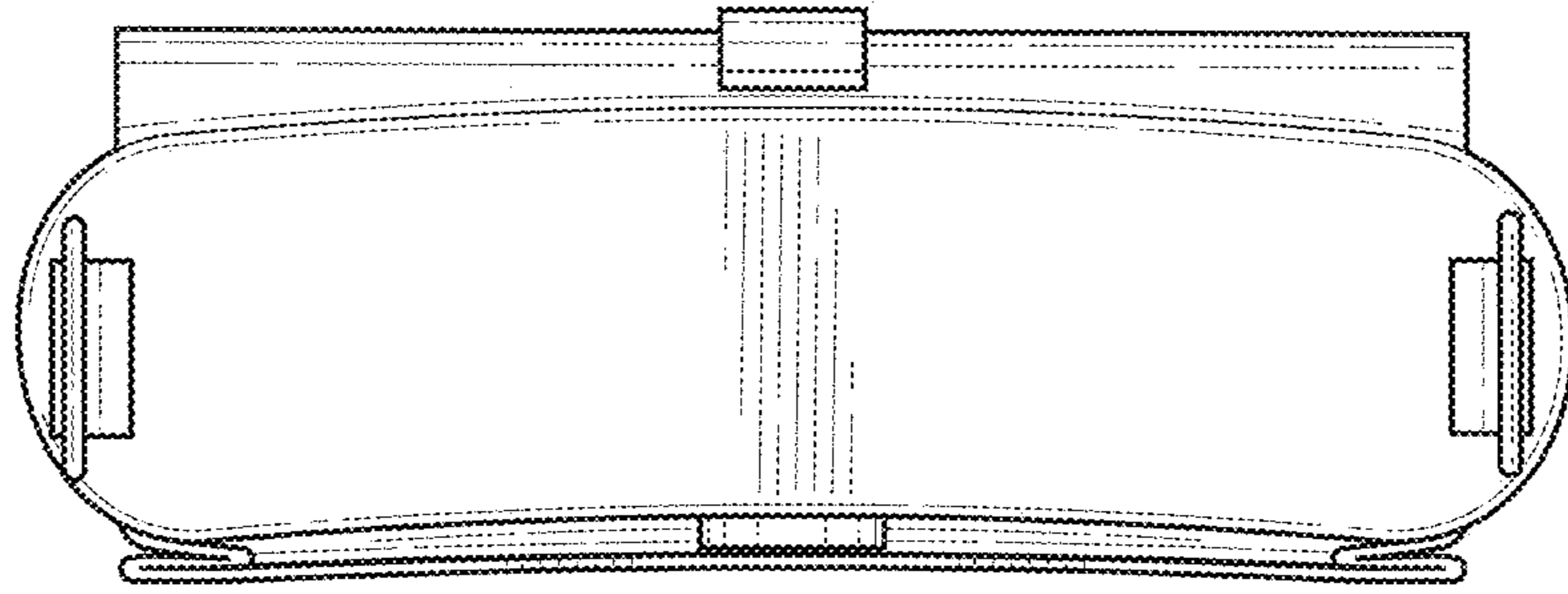


FIG. 6

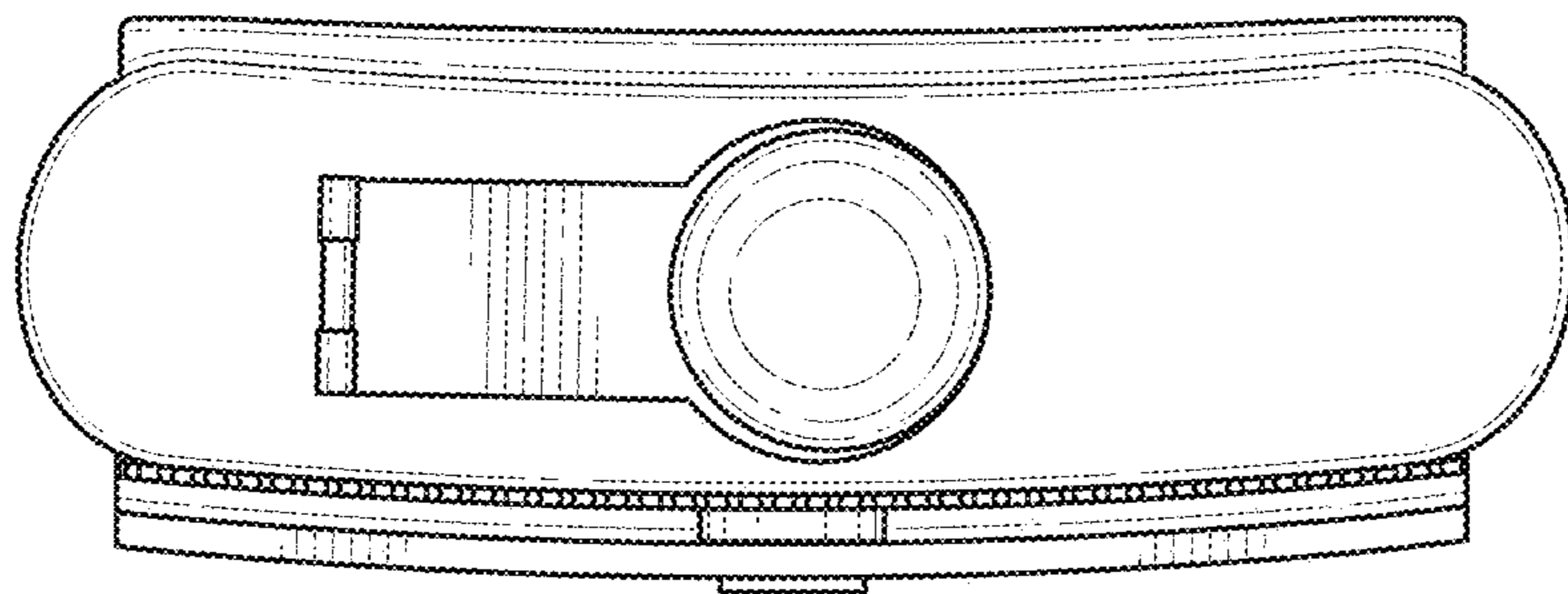


FIG. 7