



US00D923329S

(12) **United States Design Patent** (10) **Patent No.:** **US D923,329 S**
Zuniga (45) **Date of Patent:** **** Jun. 29, 2021**

(54) **FLASK PURSE**

(71) Applicant: **Xiomara Zuniga**, Miramar, FL (US)

(72) Inventor: **Xiomara Zuniga**, Miramar, FL (US)

(**) Term: **15 Years**

(21) Appl. No.: **29/710,933**

(22) Filed: **Oct. 28, 2019**

(51) **LOC (13) Cl.** **03-01**

(52) **U.S. Cl.**
USPC **D3/233**

(58) **Field of Classification Search**
USPC D3/202, 232-234, 238-240, 243, 303,
D3/318-319; D7/510, 619.1; D9/544,
D9/573
CPC . A45F 2200/0583; A45C 3/06; B65D 1/0246;
B65D 1/04
See application file for complete search history.

(56) **References Cited**

U.S. PATENT DOCUMENTS

1,895,744	A *	1/1933	Arnold	A45C 3/06
					190/111
D95,295	S *	4/1935	Walinsky	D3/243
3,732,999	A *	5/1973	Roukles	B65D 1/04
					215/6
D322,358	S *	12/1991	Jacobson	D3/202
D385,106	S *	10/1997	Melk	D3/202
D406,456	S *	3/1999	McDermott	D3/232
5,954,238	A *	9/1999	Rausch	A45F 5/00
					222/158
D707,967	S *	7/2014	Spallone	D3/303
D718,044	S *	11/2014	Vargo	D3/202
D723,270	S *	3/2015	Basha	D3/243
D736,517	S *	8/2015	Lee	D3/202
D741,595	S *	10/2015	Staley	D3/233
D747,872	S *	1/2016	Paterno	D3/232
D816,983	S *	5/2018	LiCalsi	D3/202
D831,955	S *	10/2018	Brandt	D3/232
D836,908	S *	1/2019	Chiuri	D3/232

D845,621	S *	4/2019	Kessler	D3/232
D857,384	S *	8/2019	Vaccarello	D3/243
D865,357	S *	11/2019	Metzger	D3/232
D896,507	S *	9/2020	Jacobs	D3/243
D909,056	S *	2/2021	Law	D3/243
2009/0008004	A1 *	1/2009	Degliobizzi	A45C 1/04
					150/108
2020/0397109	A1 *	12/2020	Haines	A45C 3/06

OTHER PUBLICATIONS

“Silver mini 12oz”, First Available Jan. 5, 2019, The Flask on Facebook.com, Site visited Mar. 5, 2021: <https://www.facebook.com/theflaskclutch/videos/547698022412666/> (Year: 2019).*

* cited by examiner

Primary Examiner — Jennifer L Watkins
Assistant Examiner — Samantha Lynne Brodowski
(74) *Attorney, Agent, or Firm* — David W Barman

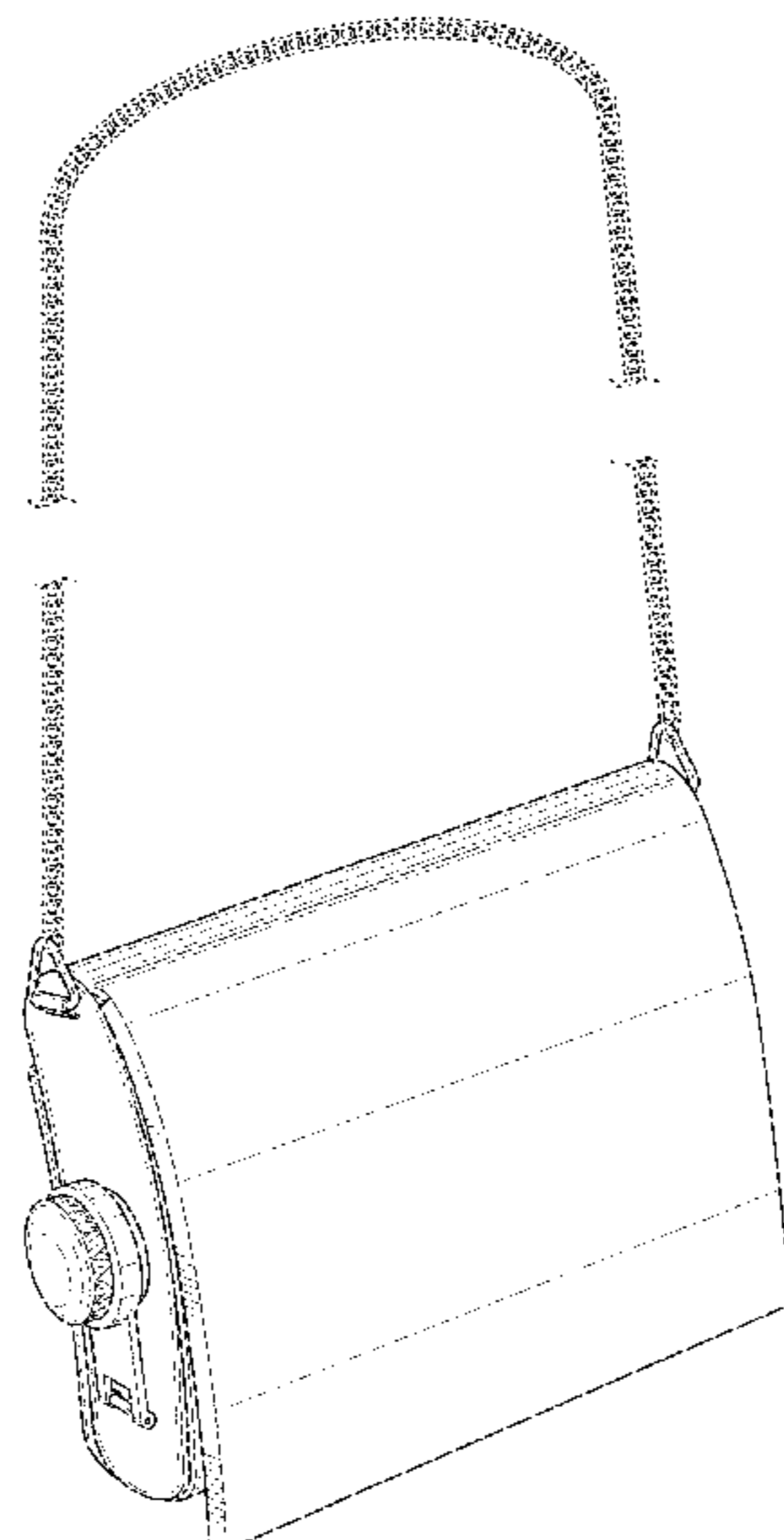
(57) **CLAIM**

The ornamental design for a flask purse, as shown and described.

DESCRIPTION

FIG. 1 is a side perspective view of a flask purse, showing my new design;
FIG. 2 is a front elevation view thereof;
FIG. 3 is a rear elevation view thereof;
FIG. 4 is a top plan view thereof;
FIG. 5 is a bottom plan view thereof;
FIG. 6 is a left side elevation view thereof; and,
FIG. 7 is a right side elevation view thereof.
The broken lines depicting a strap in FIG. 1 are for the purpose of depicting portions of the article and form no part of the claim. The broken lines showing a symbolic break in the length of the strap form no part of the claim. It is understood that any portion of the article between the break lines forms no part of the claim.

1 Claim, 5 Drawing Sheets



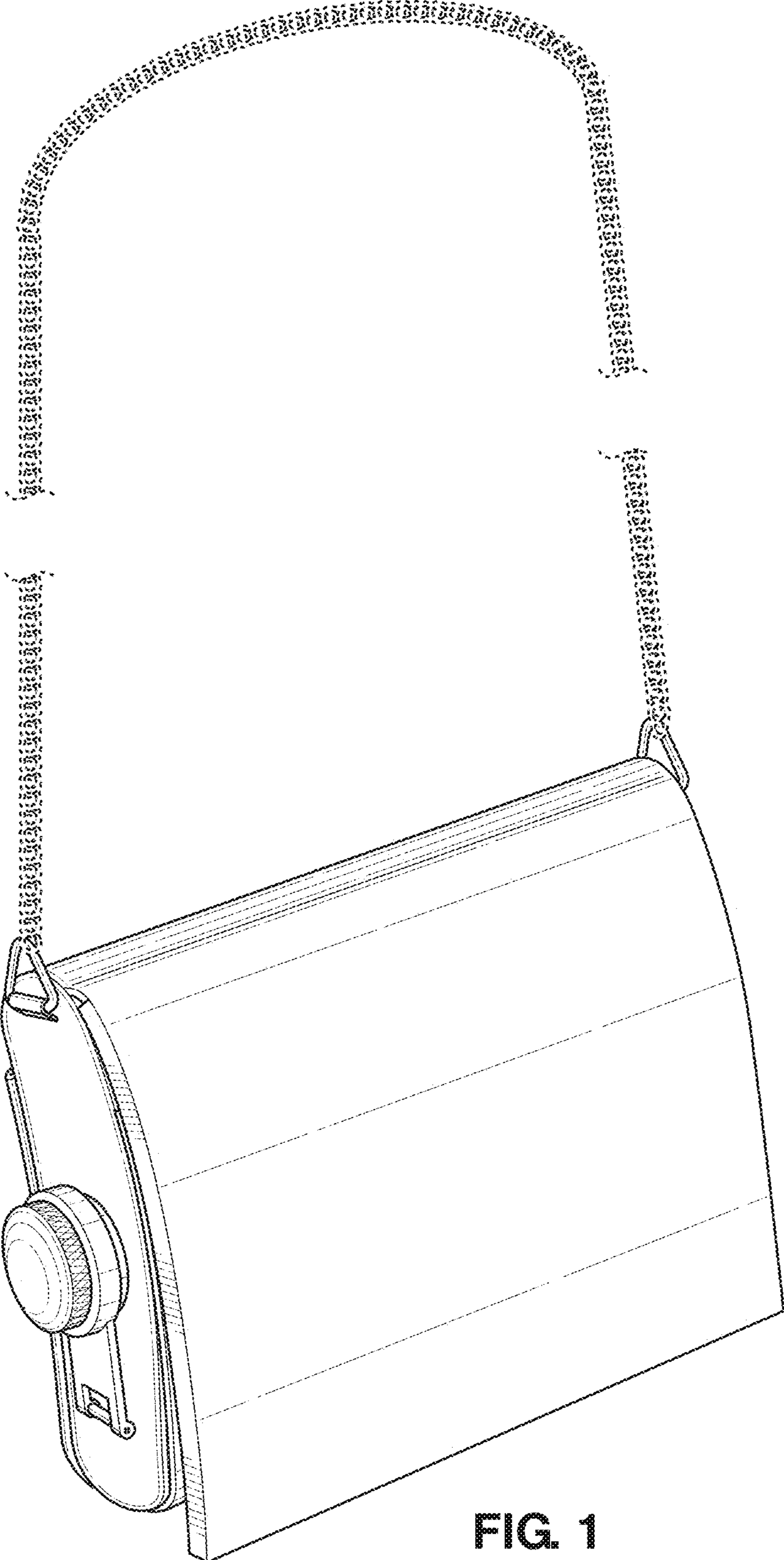


FIG. 1

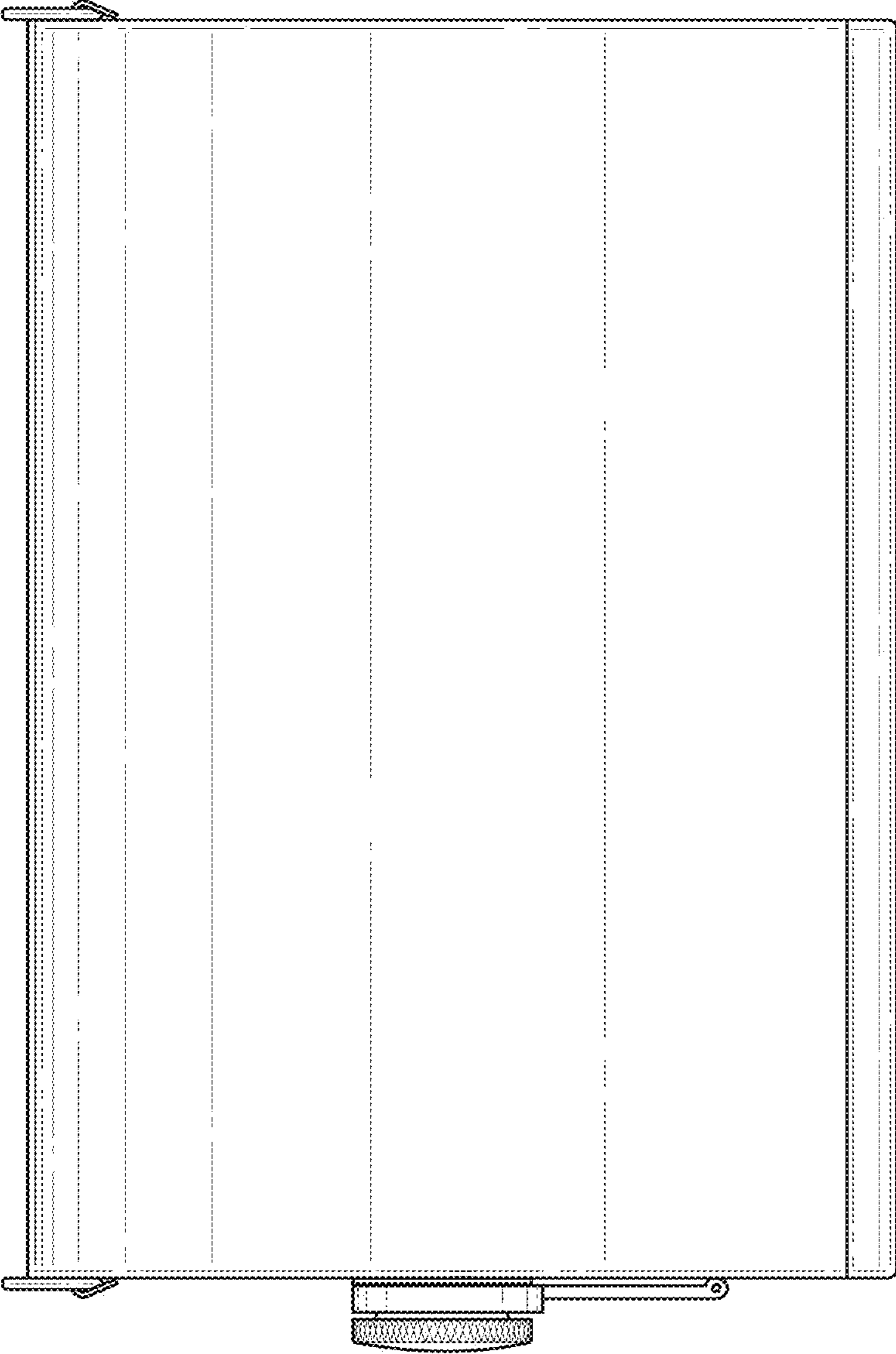


FIG. 2

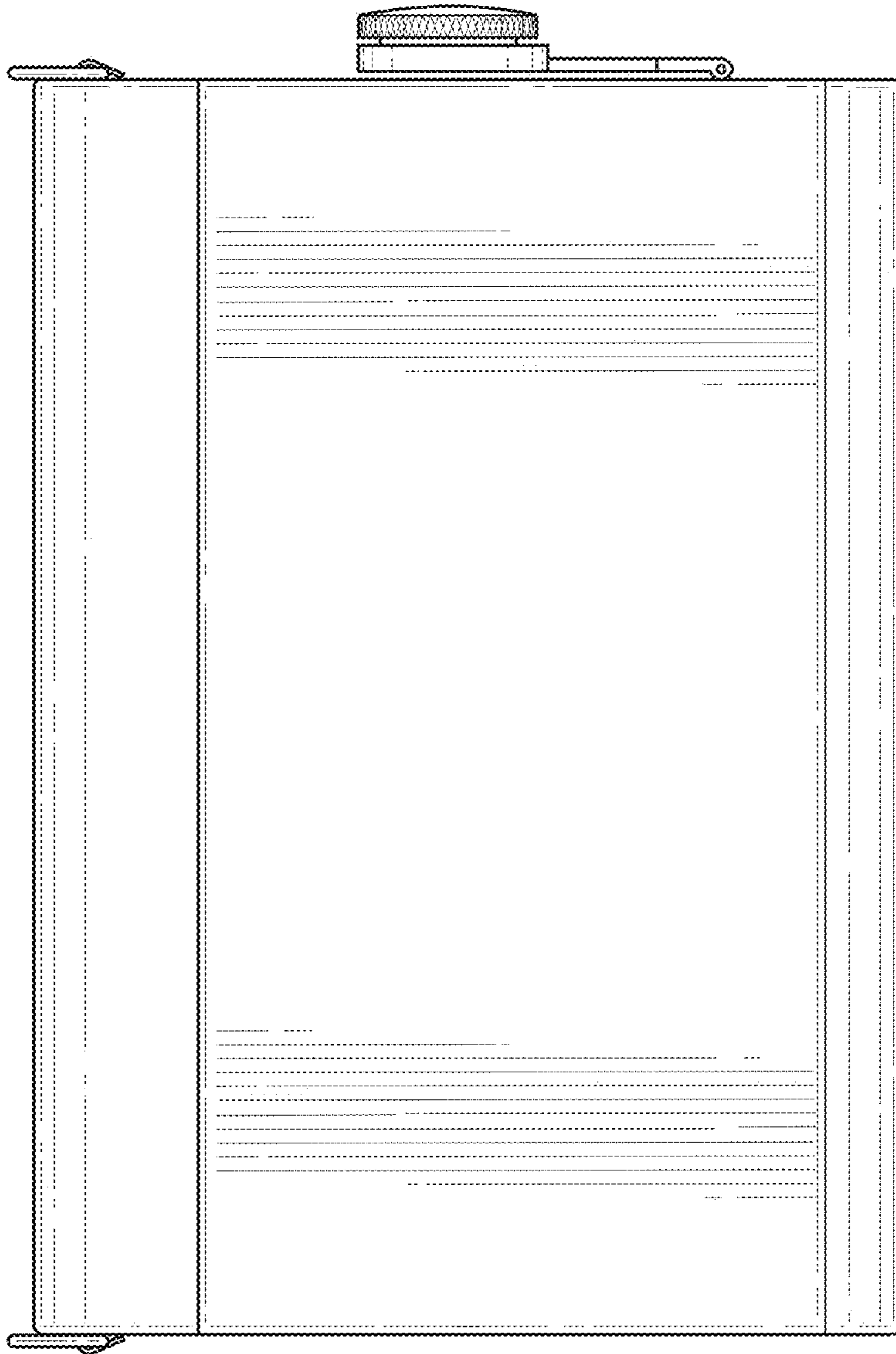


FIG. 3

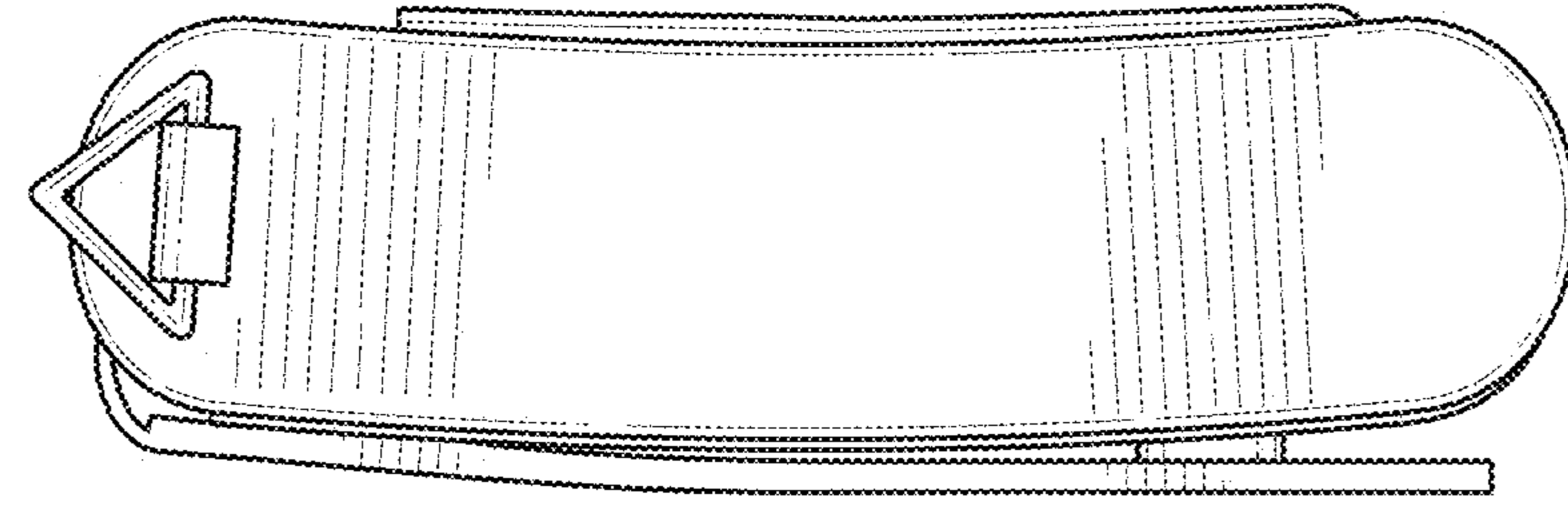


FIG. 5

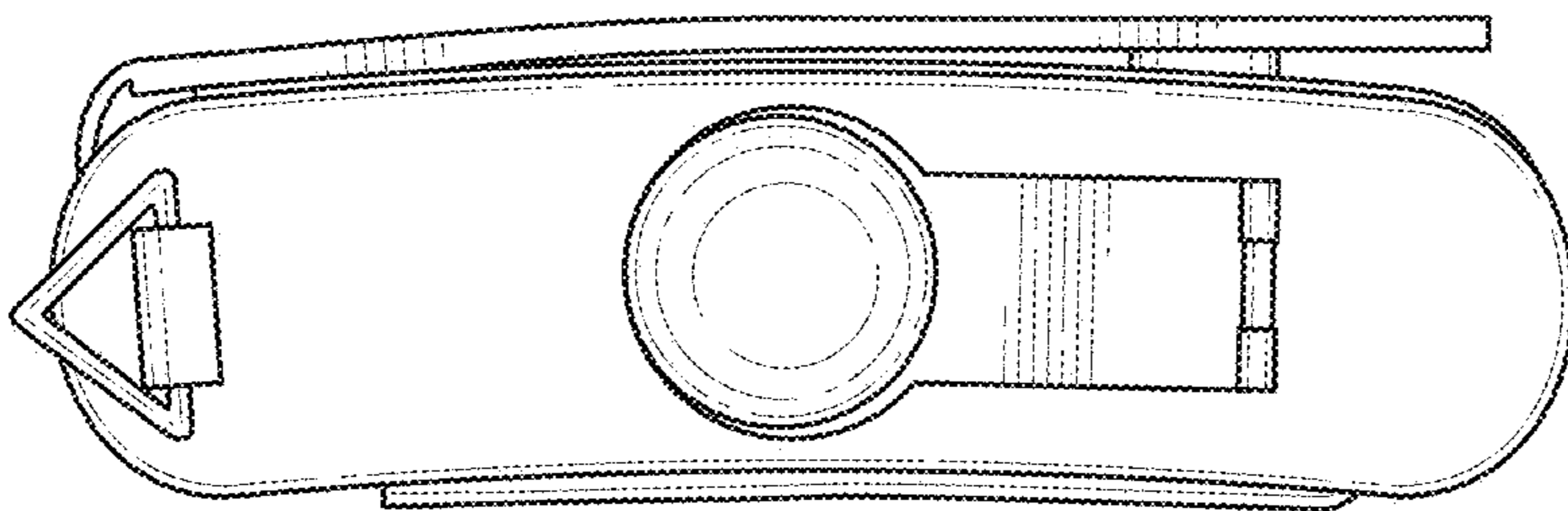


FIG. 4

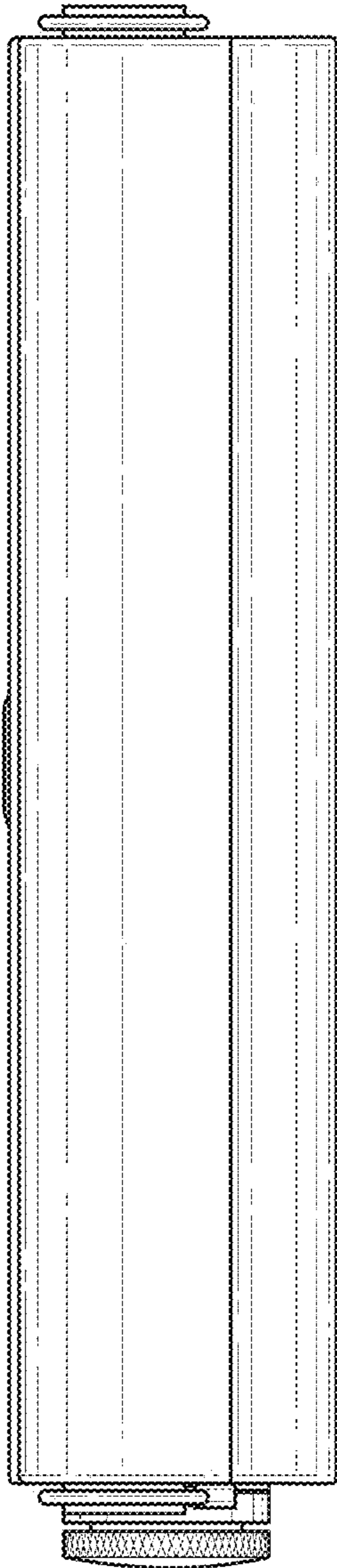


FIG. 6

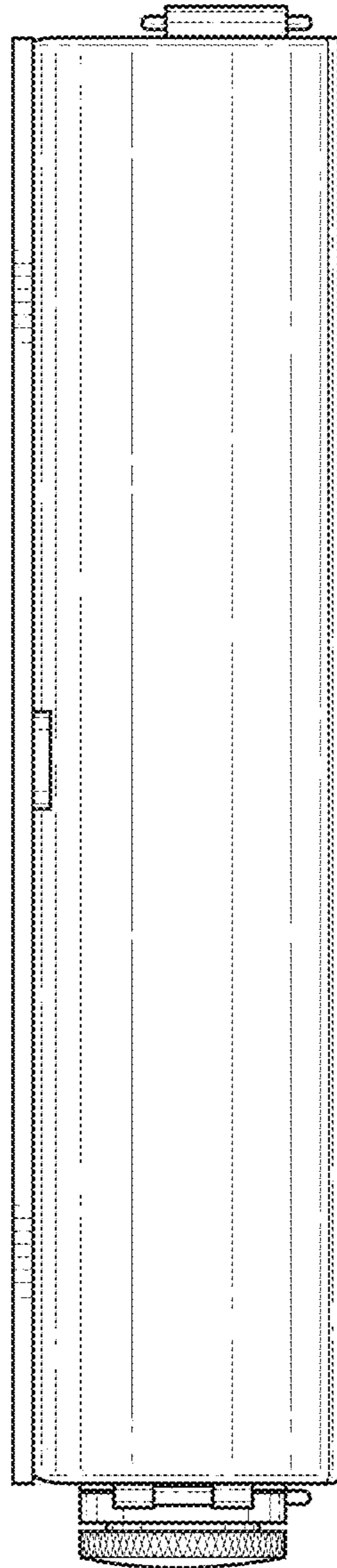


FIG. 7