



US00D923328S

(12) **United States Design Patent**
Xiao

(10) **Patent No.:** **US D923,328 S**

(45) **Date of Patent:** **** Jun. 29, 2021**

(54) **WIRELESS HEADPHONE PROTECTIVE WRIST BAG**

(71) Applicant: **An-Le Xiao**, Guangdong (CN)

(72) Inventor: **An-Le Xiao**, Guangdong (CN)

(**) Term: **15 Years**

(21) Appl. No.: **29/700,614**

(22) Filed: **Aug. 3, 2019**

(51) **LOC (13) Cl.** **03-01**

(52) **U.S. Cl.**
USPC **D3/218**

(58) **Field of Classification Search**
USPC D3/218; D10/30-33; D14/205, 344;
224/222; D11/3; D24/167; 455/90.3,
455/90, 573, 575.1, 575.6, 575.9
CPC A45F 5/00; A45F 2005/008; H04B 1/3888
See application file for complete search history.

(56) **References Cited**

U.S. PATENT DOCUMENTS

D420,506 S *	2/2000	Merritt	D3/218
D616,197 S *	5/2010	Fuccella	D3/218
D655,497 S *	3/2012	Stanley	D3/218
D708,980 S *	7/2014	Brantman	D10/128
8,818,465 B1 *	8/2014	Gorham, Jr.	H04B 1/3888 455/575.1
D736,652 S *	8/2015	Isaacs	D10/32

D762,375 S *	8/2016	Duarte	D3/218
D778,044 S *	2/2017	Lee	D3/218
D811,729 S *	3/2018	Bysshe	D3/218
D845,812 S *	4/2019	Green	D11/3
D872,612 S *	1/2020	Mercurio	D11/3
D887,287 S *	6/2020	Kong	D10/31

OTHER PUBLICATIONS

Wrist Band Accessories for AirPods Case Sport Strap Cover Full Protective Silicone Skin Compatible with Apple AirPods 1st and 2nd Wireless Charging Case (Black & White) . . . <https://www.amazon.com/Accessories-Protective-Silicone-Compatible-Wireless/dp/B08139HH3B> (Year: 2019).*

* cited by examiner

Primary Examiner — Catherine R Oliver-Garcia
(74) *Attorney, Agent, or Firm* — W&K IP

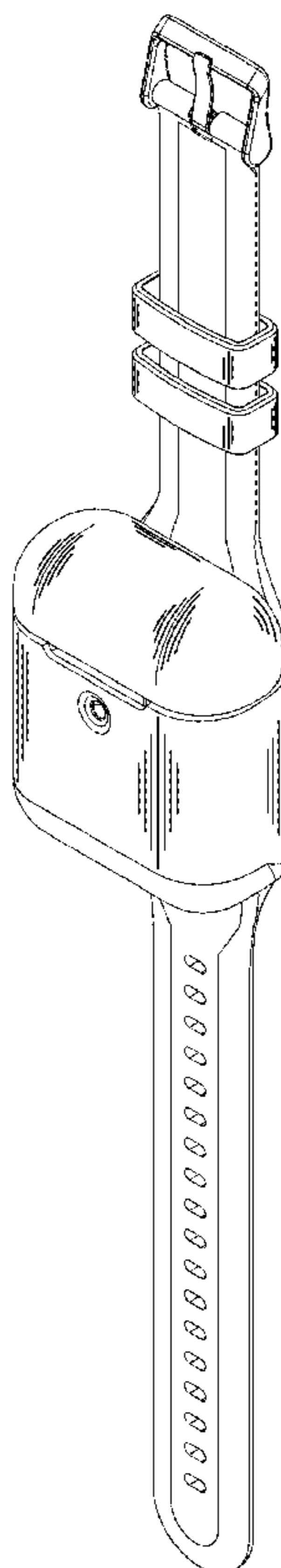
(57) **CLAIM**

The ornamental design for a wireless headphone protective wrist bag, as shown and described.

DESCRIPTION

FIG. 1 is a perspective view of a wireless headphone protective wrist bag showing my new design;
FIG. 2 is a front elevational view thereof;
FIG. 3 is a bottom plan view thereof;
FIG. 4 is a right side elevational view thereof;
FIG. 5 is a rear elevational view thereof;
FIG. 6 is a left side view thereof; and,
FIG. 7 is a top plan view thereof.

1 Claim, 7 Drawing Sheets



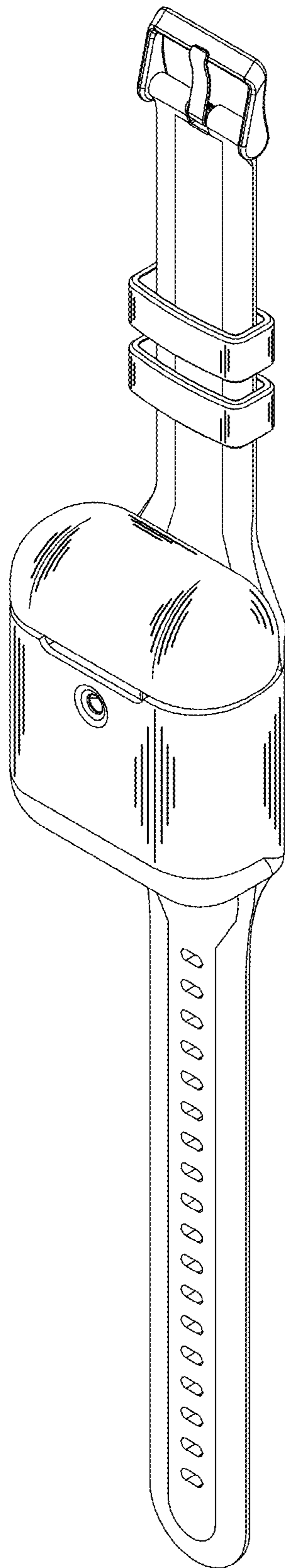


FIG. 1

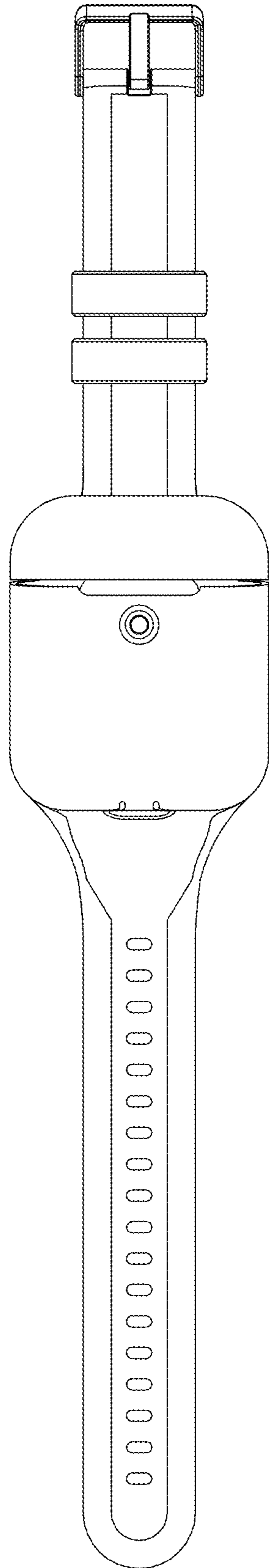


FIG. 2

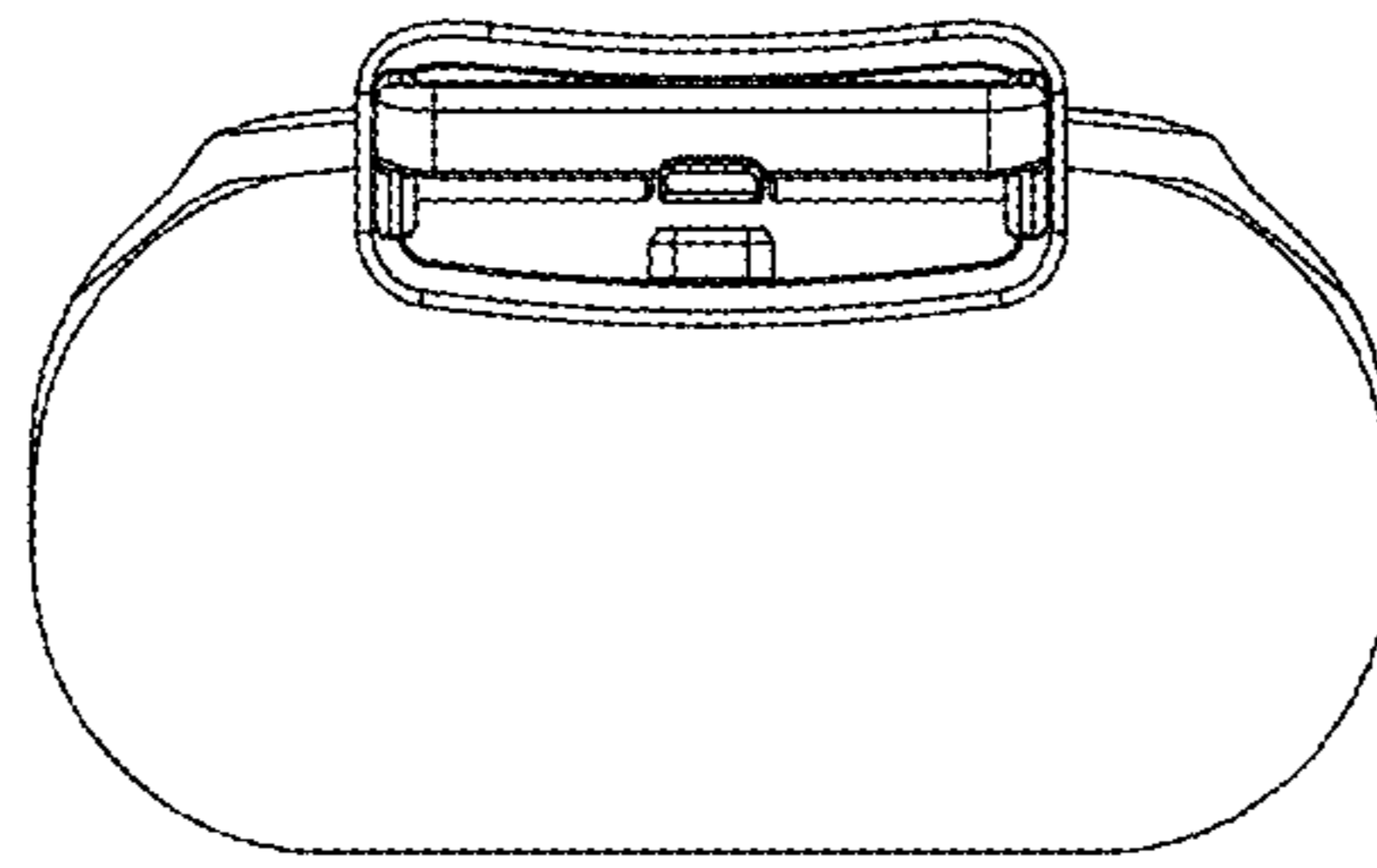


FIG. 3

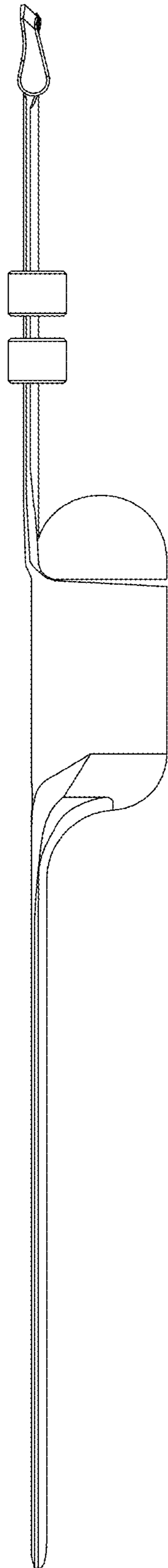


FIG. 4

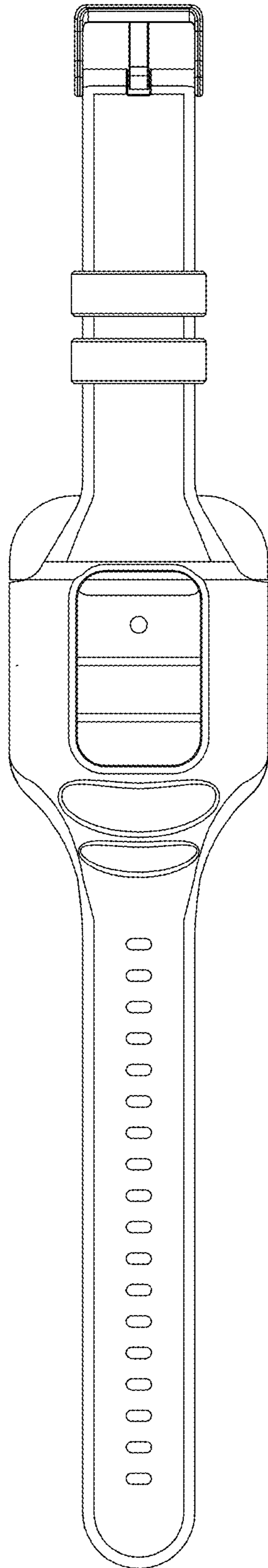


FIG. 5

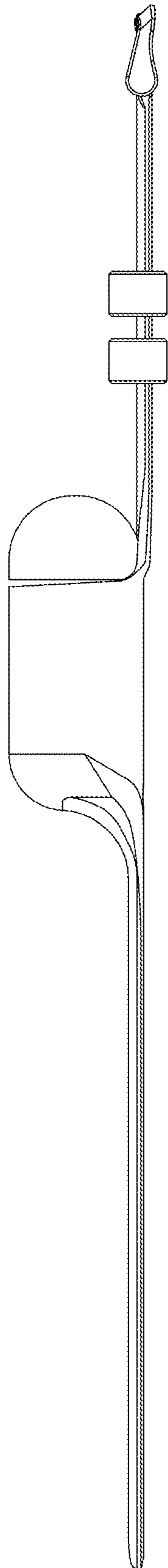


FIG. 6

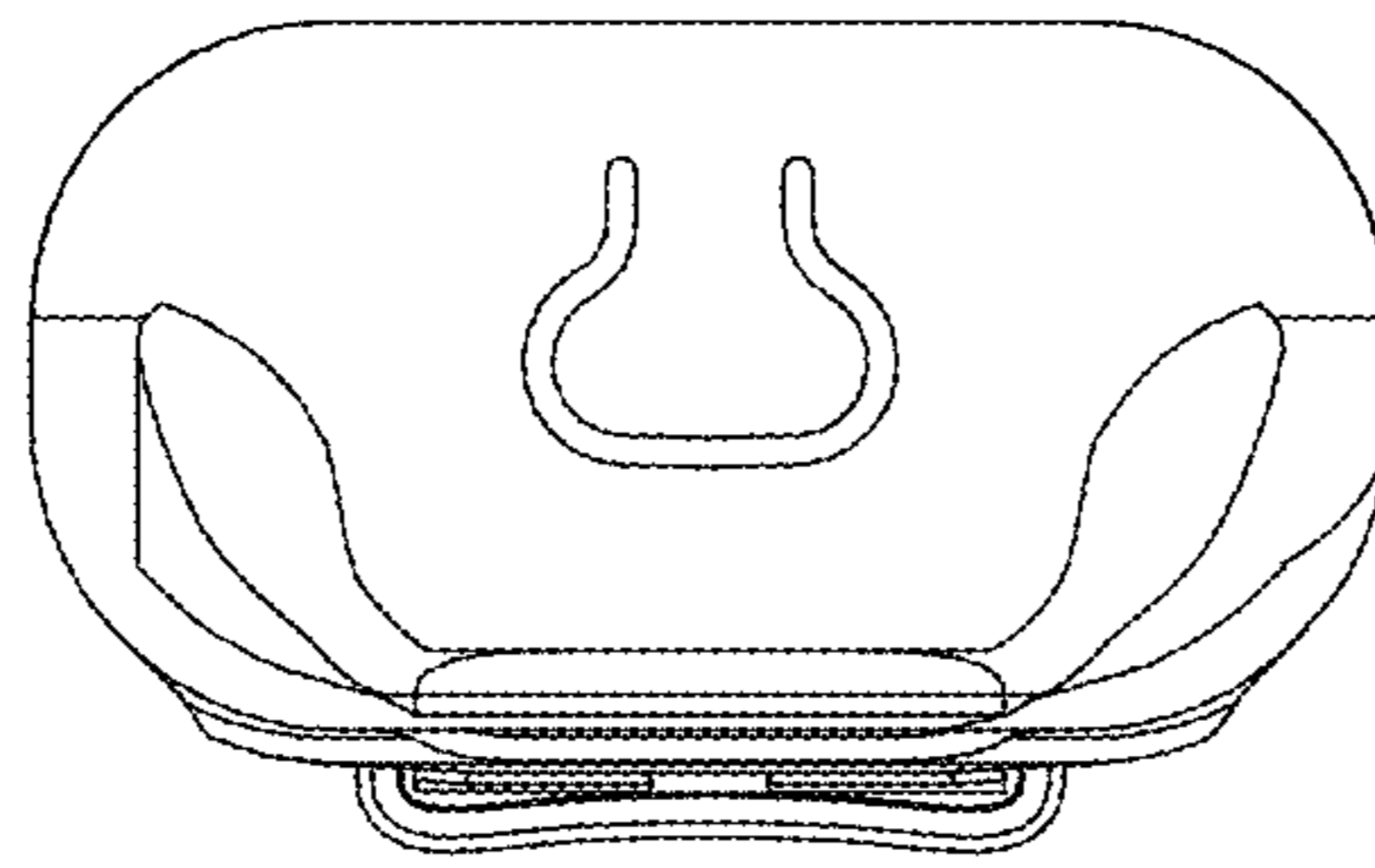


FIG. 7