



US00D923325S

(12) **United States Design Patent**  
**Downing**

(10) **Patent No.:** **US D923,325 S**  
(45) **Date of Patent:** **\*\* Jun. 29, 2021**

- (54) **POCKET RETAINING DEVICE**
- (71) Applicant: **Tom Downing**, Fresno, CA (US)
- (72) Inventor: **Tom Downing**, Fresno, CA (US)
- (\*\*) Term: **15 Years**
- (21) Appl. No.: **29/743,280**
- (22) Filed: **Jul. 21, 2020**

1,206,074 A \* 11/1916 Zwiener et al. .... A45F 5/02  
24/3.6  
1,692,712 A \* 11/1928 Tannebaum ..... A44C 19/00  
24/3.5  
1,914,256 A \* 6/1933 Holmes ..... F16L 3/04  
411/470

(Continued)

**FOREIGN PATENT DOCUMENTS**

CN	202094965	12/2011
FI	116448	11/2005
KR	200233150	10/2001
KR	19980019031	10/2001
KR	20150083984	7/2015

**Related U.S. Application Data**

- (63) Continuation-in-part of application No. 29/682,494, filed on Mar. 5, 2019, now Pat. No. Des. 890,514.
- (51) **LOC (13) Cl.** ..... **09-04**
- (52) **U.S. Cl.**  
USPC ..... **D3/215**
- (58) **Field of Classification Search**  
USPC ..... D3/215, 218, 318, 319, 328; D8/330,  
D8/382, 388, 394; D21/839, 840  
CPC ..... A45F 5/02; A45F 5/022; A45F 2005/025;  
H04B 1/385; H04B 1/3877  
See application file for complete search history.

**OTHER PUBLICATIONS**

English Abstract of CN202094965 obtained from: "https://worldwide.espacenet.com/publicationDetails/biblio?CC=CN&NR=202094965U&KC=U&FT=D#" on Feb. 16, 2019.

(Continued)

*Primary Examiner* — Steven J Czyz  
(74) *Attorney, Agent, or Firm* — Sierra IP Law, PC;  
William K. Nelson

(57) **CLAIM**

I claim the ornamental design for a pocket retaining device, as shown and described.

**DESCRIPTION**

FIG. 1 is a front perspective view of a pocket retaining device showing my new design;  
FIG. 2 is a rear perspective view thereof;  
FIG. 3 is a front elevation view thereof;  
FIG. 4 is a rear elevation view thereof;  
FIG. 5 is a right side elevation view thereof;  
FIG. 6 is a left side elevation view thereof;  
FIG. 7 is a bottom plan view thereof; and,  
FIG. 8 is a top plan view thereof.  
The broken lines depict portions of the article that form no part of the claimed design.

**1 Claim, 5 Drawing Sheets**

(56) **References Cited**

**U.S. PATENT DOCUMENTS**

187,214	A *	2/1877	Campbell et al. ...	A47G 21/165 24/8
514,454	A *	2/1894	Feiner et al. ....	A41B 3/08 24/337
763,014	A *	6/1904	Neider et al. ....	A47C 21/022 24/457
803,464	A *	10/1905	Beck et al. ....	F16L 3/237 24/339
889,969	A *	6/1908	Rossuck et al. ....	A41F 11/02 24/541
926,401	A *	6/1909	Freedman et al. ....	A45F 5/02 24/3.11



(56)

References Cited

U.S. PATENT DOCUMENTS

2,276,891 A \* 3/1942 Stenersen ..... B43K 25/02  
24/11 F  
2,320,455 A \* 6/1943 Feig ..... B43K 25/022  
24/11 P  
2,614,305 A \* 10/1952 Yeardley ..... A45F 5/022  
24/3.8  
2,619,649 A \* 12/1952 Brown ..... A41D 27/20  
2/252  
2,628,395 A \* 2/1953 Richards ..... A45F 5/022  
24/3.11  
2,652,873 A \* 9/1953 Barricini ..... A45F 5/022  
150/134  
2,657,442 A \* 11/1953 Bedford, Jr. .... F16B 5/121  
248/74.2  
2,775,804 A \* 1/1957 Ayoub ..... A45F 5/02  
24/3.6  
3,357,615 A \* 12/1967 Hill ..... A45F 5/02  
224/255  
D230,218 S \* 1/1974 Freiling ..... D21/840  
3,983,602 A \* 10/1976 Barry ..... A42B 3/04  
24/11 R  
4,237,583 A \* 12/1980 Sullivan ..... A45C 13/18  
150/134  
D259,393 S \* 6/1981 Kuru ..... D8/380  
D262,514 S \* 1/1982 Gilbert ..... D8/388  
D270,133 S \* 8/1983 Craig ..... D8/1  
D288,745 S \* 3/1987 Fenton ..... D6/300  
4,650,069 A \* 3/1987 Linton ..... B43K 23/001  
206/37  
D292,060 S \* 9/1987 Kerber ..... D21/840  
D295,730 S \* 5/1988 Blackburn ..... D11/181  
D301,832 S \* 6/1989 Hathaway ..... D8/349  
4,897,898 A \* 2/1990 Chapin ..... G01B 3/1041  
24/3.12  
4,974,764 A \* 12/1990 Cantwell ..... A45F 5/02  
224/269  
5,038,985 A \* 8/1991 Chapin ..... A47F 7/143  
224/669  
D322,093 S \* 12/1991 Eylers ..... D19/197  
D322,389 S \* 12/1991 Harmon ..... D8/380  
5,188,318 A \* 2/1993 Newcomer ..... F16L 3/223  
174/503  
D334,134 S \* 3/1993 Newcomer ..... D8/356  
D339,738 S \* 9/1993 Blancett ..... D21/840  
D340,857 S \* 11/1993 Light ..... D34/10  
5,351,098 A \* 9/1994 McDaniels ..... A45F 5/022  
24/3.3  
5,520,230 A \* 5/1996 Sumner, III ..... A45C 1/06  
150/137  
D372,333 S \* 7/1996 Pearson ..... B43K 25/022  
D27/144  
D378,439 S \* 3/1997 Gary ..... B43K 25/02  
D21/840  
D379,283 S \* 5/1997 Antinori ..... F16L 3/04  
5/411  
5,640,742 A \* 6/1997 White ..... A44C 3/001  
24/18  
D380,947 S \* 7/1997 Adams ..... A45F 5/02  
D21/840  
5,829,103 A \* 11/1998 Allen ..... A42B 1/24  
24/11 R  
5,867,874 A \* 2/1999 Simpson ..... A42B 1/24  
24/10 R  
D434,303 S \* 11/2000 DeCosta ..... F16L 3/237  
D8/349  
6,141,838 A \* 11/2000 Cooper ..... A45D 40/00  
24/329  
6,168,061 B1 \* 1/2001 Harrison ..... A63B 57/207  
224/666  
6,416,028 B1 \* 7/2002 Miller ..... B66B 11/0253  
187/414

6,477,744 B1 \* 11/2002 Miles ..... B43K 23/002  
24/3.1  
6,568,576 B1 \* 5/2003 Godshaw ..... A45C 11/00  
224/269  
D480,555 S \* 10/2003 Bledsoe ..... D3/215  
6,634,528 B2 \* 10/2003 Hurtgam ..... A45F 5/00  
224/251  
D561,570 S \* 2/2008 Kubota ..... D8/381  
D614,482 S \* 4/2010 Hay ..... D8/394  
D619,355 S \* 7/2010 Pedersen ..... D3/218  
7,997,773 B2 \* 8/2011 Kraus ..... H02G 3/24  
362/396  
D663,190 S \* 7/2012 Mota ..... D8/349  
8,374,661 B2 \* 2/2013 Fratti ..... A45F 5/02  
455/575.6  
8,393,101 B2 \* 3/2013 Knight ..... G09F 15/0025  
40/611.12  
D680,052 S \* 4/2013 Lee ..... D12/223  
8,545,041 B2 \* 10/2013 Brown ..... F21V 21/0885  
362/191  
D695,173 S \* 12/2013 Sperry ..... D12/185  
D715,627 S \* 10/2014 Pan ..... D8/371  
8,944,388 B2 \* 2/2015 Magno, Jr. .... F16L 33/24  
248/74.4  
9,021,667 B2 \* 5/2015 Wasco ..... A47C 7/62  
24/462  
D735,554 S \* 8/2015 Solberg ..... D8/349  
D750,473 S \* 3/2016 Albo ..... D8/371  
D753,472 S \* 4/2016 Pan ..... D8/371  
9,341,285 B2 \* 5/2016 Magno, Jr. .... F16L 3/10  
9,402,483 B2 \* 8/2016 Kaalberg ..... A47C 21/022  
9,879,801 B2 \* 1/2018 Wittmann ..... F16L 3/04  
9,924,787 B2 \* 3/2018 Jackson ..... A41F 1/002  
D818,357 S \* 5/2018 Cummings ..... D8/394  
10,208,780 B1 \* 2/2019 Mangone, Jr. .... F16B 13/14  
D844,473 S \* 4/2019 Maulder ..... G01D 11/30  
D10/103  
D860,762 S \* 9/2019 Gibson ..... D8/354  
10,470,508 B2 \* 11/2019 O'Connor ..... A45F 5/022  
D890,514 S \* 7/2020 Downing ..... D3/215  
2004/0237262 A1 \* 12/2004 Arnone ..... B43K 25/026  
24/1 OR  
2005/0223525 A1 \* 10/2005 Wartian ..... B43K 23/002  
24/3.12  
2005/0255898 A1 \* 11/2005 Huang ..... H04M 1/15  
455/575.8  
2009/0095751 A1 \* 4/2009 Hamlin ..... A45F 5/021  
220/230  
2009/0159471 A1 \* 6/2009 Koppe ..... A45F 5/021  
206/242  
2010/0031476 A1 \* 2/2010 Coldiron ..... A45F 5/02  
24/3.12  
2010/0193559 A1 \* 8/2010 Van Huyssteen ..... A63B 57/60  
224/680  
2012/0192925 A1 \* 8/2012 Grushkowitz ..... F16L 3/24  
136/251  
2013/0327804 A1 \* 12/2013 Putnam ..... A45F 3/04  
224/625  
2014/0317887 A1 \* 10/2014 Santilli ..... A47G 29/083  
24/8  
2015/0115008 A1 \* 4/2015 Griffith ..... A45F 5/021  
224/269  
2015/0195392 A1 \* 7/2015 Nissenbaum ..... A45F 5/00  
455/569.1  
2016/0058168 A1 \* 3/2016 Reed ..... A45F 5/02  
24/3.12  
2017/0280863 A1 \* 10/2017 Simon ..... F16B 45/00

OTHER PUBLICATIONS

English Abstract of FI116448 obtained from: "https://worldwide.espacenet.com/publicationDetails/biblio?CC=FI&NR=116448B&KC=B&FT=D#" on Feb. 16, 2019.  
Google English Translation of KR200233150 obtained from: "https://patents.google.com/patent/KR200233150Y1/en?pq=KR200233150" on Feb. 16, 2019.

(56)

**References Cited**

OTHER PUBLICATIONS

Google English Translation of KR19980019031 obtained from: "https://patents.google.com/patent/KR19980019031U/en?q=KR19980019031" on Feb. 16, 2019.

English Abstract of KR20150083984 obtained from: "https://worldwide.espacenet.com/publicationDetails/biblio?CC=KR&NR=20150083984A&KC=A&FT=D#" on Feb. 16, 2019.

\* cited by examiner

FIG. 1

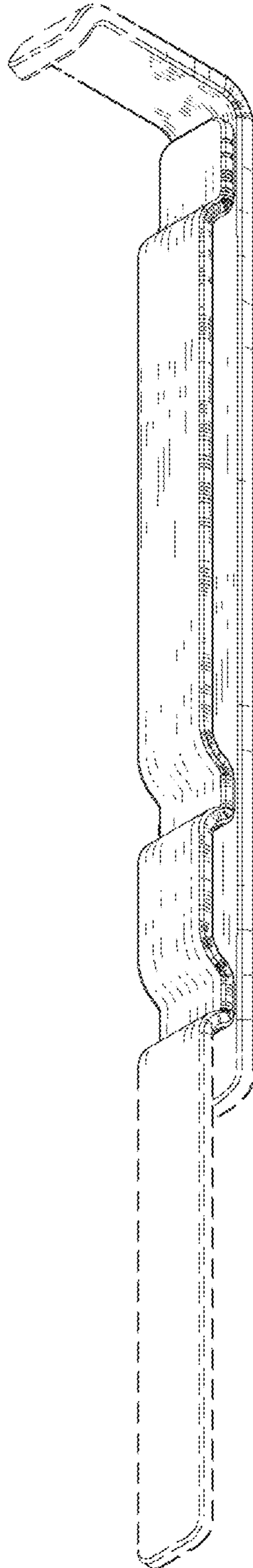


FIG. 2

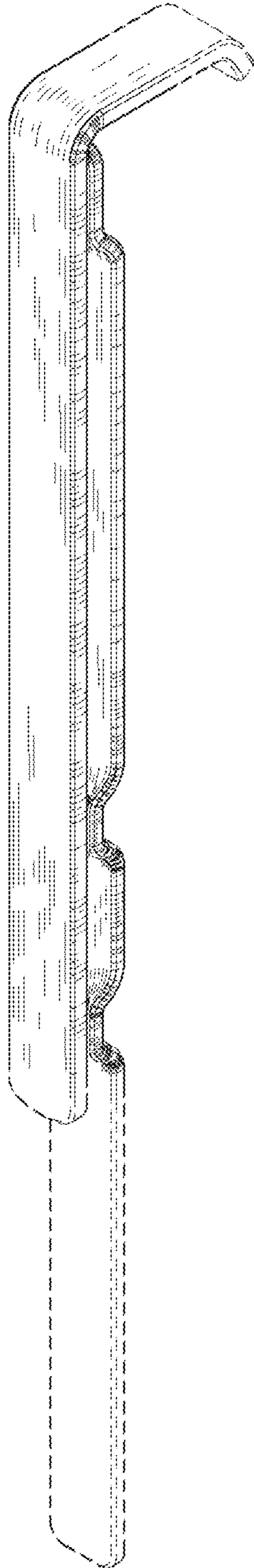


FIG. 3

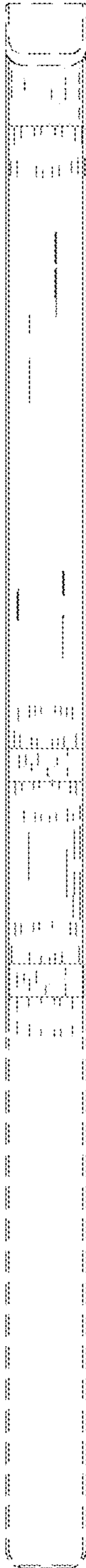


FIG. 4

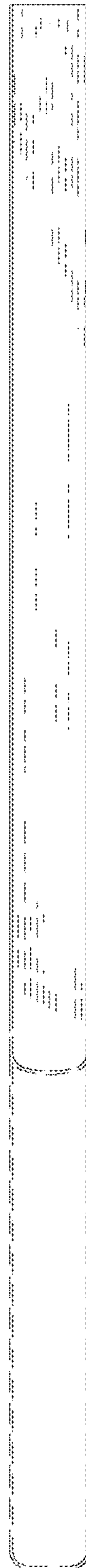


FIG. 5

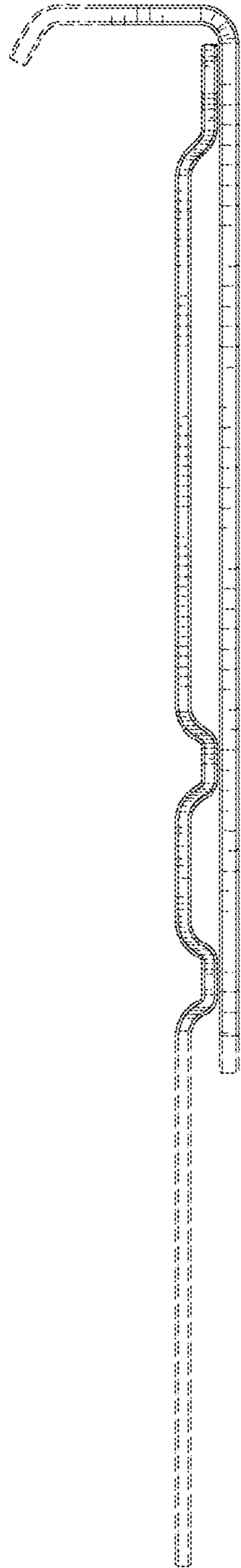


FIG. 6

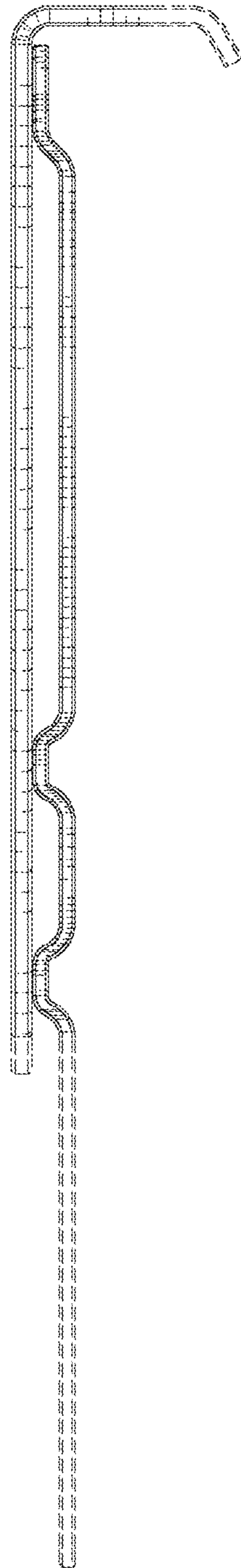


FIG. 7

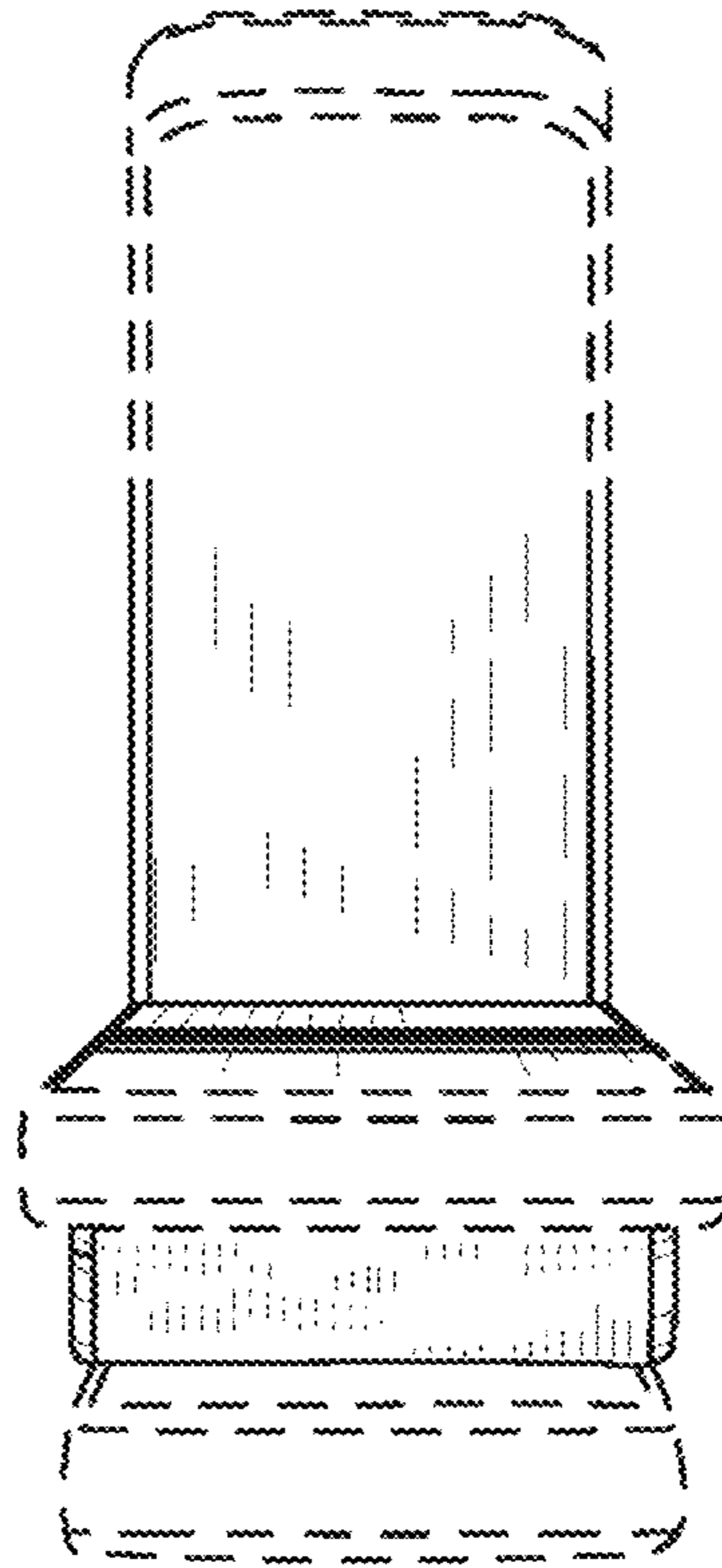


FIG. 8

