



US00D923324S

(12) **United States Design Patent**  
**Miyake et al.**

(10) **Patent No.:** **US D923,324 S**  
(45) **Date of Patent:** **\*\* Jun. 29, 2021**

(54) **PEN CASE**

(71) Applicant: **KING JIM CO., LTD.**, Tokyo (JP)  
(72) Inventors: **Kazushige Miyake**, Kawasaki (JP);  
**Kota Kato**, Kawasaki (JP); **Maiko Hara**, Tokyo (JP); **Nayumi Yamada**, Tokyo (JP); **Natsuki Goto**, Tokyo (JP); **Kaori Jinbo**, Tokyo (JP)

(73) Assignee: **KING JIM CO., LTD.**, Tokyo (JP)

(\*\*) Term: **15 Years**

(21) Appl. No.: **29/715,908**

(22) Filed: **Dec. 5, 2019**

(30) **Foreign Application Priority Data**

Jun. 28, 2019 (JP) ..... 2019-014582

(51) **LOC (13) Cl.** ..... **03-01**

(52) **U.S. Cl.**  
USPC ..... **D3/206; D19/106**

(58) **Field of Classification Search**  
USPC ... D3/203.1–203.8, 205–206, 215, 219, 226,  
D3/247, 250–252, 263–266, 273,  
D3/293–294, 298–299, 301, 303, 315,  
D3/901; D6/515, 517, 534, 536;  
D7/600.1, 600.4, 637; D9/734, 759–760,  
D9/414, 420, 422, 432; D19/101–103,  
D19/106, 194–195; D27/172, 180, 183,  
D27/186, 189–191; D28/73, 76, 85–86,  
D28/91

CPC .. A24F 9/16; A24F 13/14; A24F 15/00; A24F  
15/12; A24F 15/14; A24F 15/18; A24F  
15/20; A24F 23/00; A24F 23/04; A24F  
47/002; A24F 47/008; A45C 3/00; A45C  
5/00; A45C 5/005; A45C 5/04; A45C  
7/00; A45C 9/00; A45C 11/00; A45C  
11/008; A45C 11/04; A45C 11/16; A45C

(Continued)

(56) **References Cited**

U.S. PATENT DOCUMENTS

1,705,829 A \* 3/1929 Stanley ..... A24F 15/12  
206/739  
D285,615 S \* 9/1986 Burger ..... A24F 15/12  
D27/189

(Continued)

OTHER PUBLICATIONS

King Jim Pencase “PACALI” horizontal type, unknown first available date, kingjim.co.jp [online], [site visited Apr. 21, 2021], Available at internet URL: <https://www.kingjim.co.jp/sp/english/pacali/> (Year: 2021).\*

(Continued)

*Primary Examiner* — Jeffrey D Asch

*Assistant Examiner* — Caitlin Ann Laverty

(74) *Attorney, Agent, or Firm* — Manabu Kanesaka

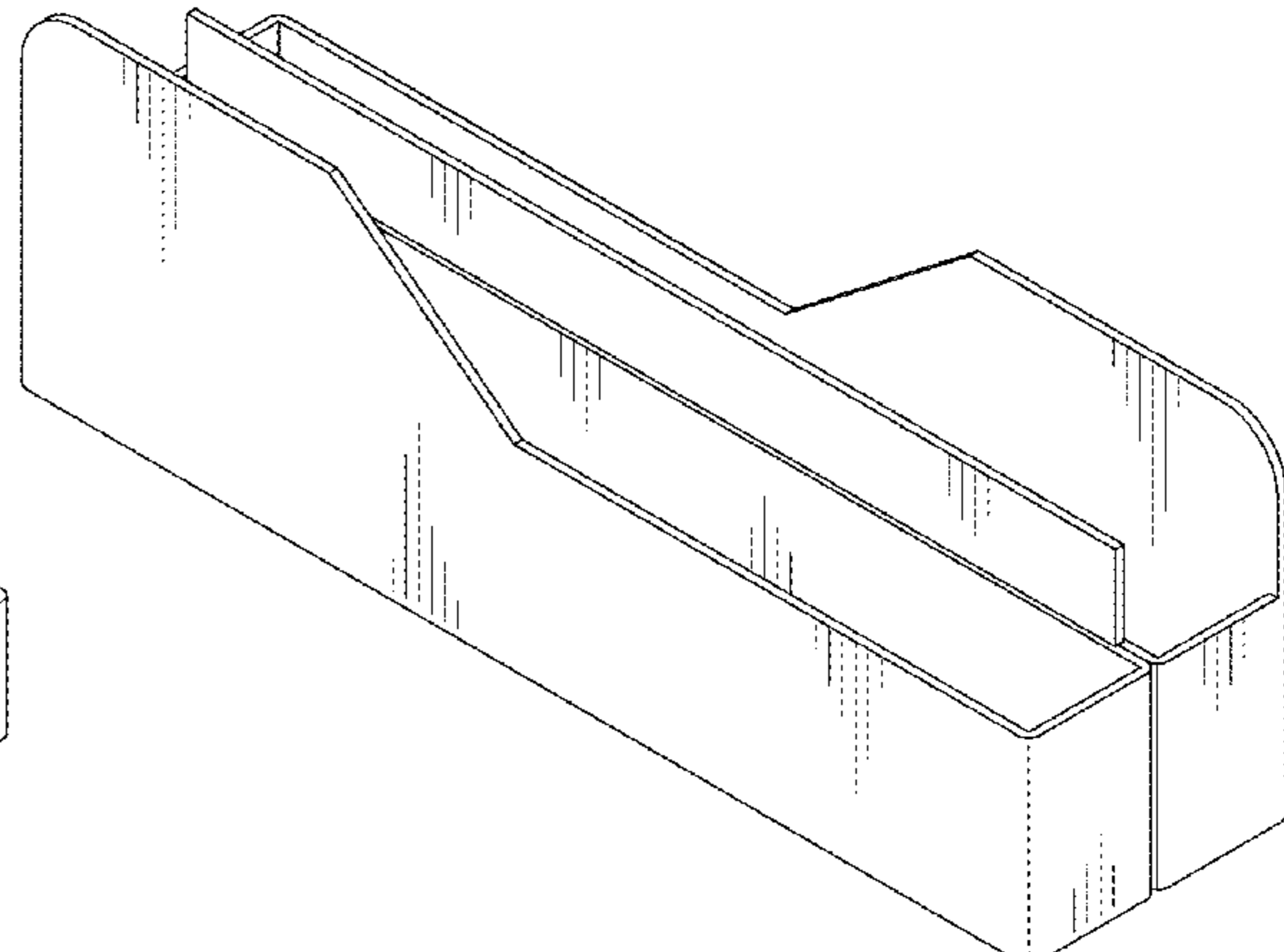
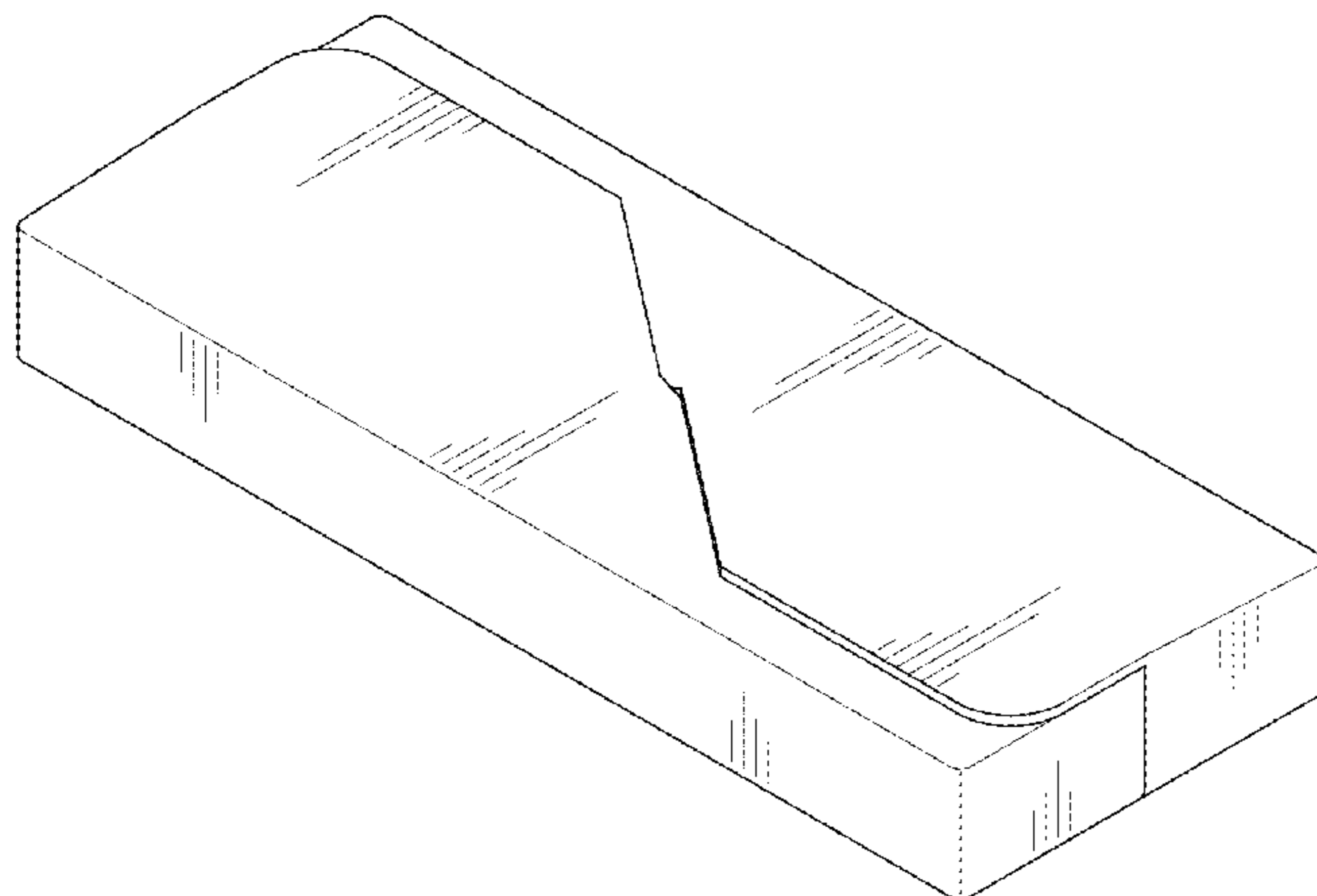
(57) **CLAIM**

The ornamental design for a pen case, as shown and described.

**DESCRIPTION**

FIG. 1 is a perspective view of a pen case showing our new design;  
FIG. 2 is a front view thereof;  
FIG. 3 is a rear view thereof;  
FIG. 4 is a plan view thereof;  
FIG. 5 is a bottom view thereof;  
FIG. 6 is a right side view thereof;  
FIG. 7 is a left side view thereof;  
FIG. 8 is a front view thereof in an opened state;  
FIG. 9 is a plan view thereof in the opened state;  
FIG. 10 is a bottom view thereof in the opened state;  
FIG. 11 is a right side view thereof in the opened state; and,  
FIG. 12 is a perspective view thereof in the opened state.

**1 Claim, 7 Drawing Sheets**



(58) **Field of Classification Search**

CPC ..... 11/24; A45C 11/26; A45C 11/34; A45C 11/36; A45C 13/002; A45C 2011/007; A45D 33/12; A45D 33/14; A45D 33/22; A45D 33/24; A45D 33/26; A45D 33/28; A45D 34/00; A45D 34/04; A45D 34/041; A45D 34/06; A45D 40/00; A45D 40/18; A45D 40/26; A45D 40/261; A45D 40/262; A45D 44/11; A45D 44/18; A47F 7/02; A47F 7/021; A61J 1/00; A61J 1/03; A61J 7/04; A61J 7/0084; B65D 1/36; B65D 43/16; B65D 50/04; B65D 83/04; B65D 83/0445; B65D 83/0481; B65D 85/00; B65D 85/02; B65D 85/10

See application file for complete search history.

(56) **References Cited**

U.S. PATENT DOCUMENTS

4,613,041 A \* 9/1986 Carlton ..... B65D 85/00  
206/373  
D575,952 S \* 9/2008 Forbes ..... D3/203.1  
D685,261 S \* 7/2013 Hunter ..... D9/420  
D733,550 S \* 7/2015 Birgers ..... D9/414  
D805,763 S \* 12/2017 Zhang ..... D3/218

10,045,568 B2 \* 8/2018 Monsees ..... H05B 3/44  
D842,536 S \* 3/2019 Bowen ..... D27/167  
D845,623 S \* 4/2019 Sullivan ..... D3/247  
D858,085 S \* 9/2019 Hoshikawa ..... D3/205  
2018/0141714 A1 \* 5/2018 Kanbar ..... A45D 33/24

OTHER PUBLICATIONS

“King Jim, pen case “PACALI” that opens and stands on its own with “Pakari”” by Kazuya Sakakibara, article posted Aug. 6, 2019, watch.impress.co.jp [online], [site visited Apr. 21, 2021], Available at internet URL: <https://watch.impress.co.jp/docs/news/1200325.html> (Year: 2019).\*

Akro-Mils 66486CLDBL 12-Gallon Plastic Storage Keepbox with Attached Lid, first available Aug. 26, 2008, amazon.com [online], [site visited Apr. 21, 2021], Available at internet URL: [https://www.amazon.com/Akro-Mils-12-Gallon-Plastic-Storage-Attached/dp/B00006IARN/ref=sr\\_1\\_1\\_sspa?dchild=1&keywords=Storage+Bin+with+Attached+Lid&qid=1619023536&sr=8-1-spons&psc=1&spLa=ZW5jcnlwdGVkUXVhbGlmaWVyPUFRM09JN1VLVkhGMewmZW5jcnlwdGVkSWQ9QTazNjk5NTQzNko4TkVWRkJKSEk5JmVuY3J5cHRlZEFkSWQ9QTaxNTA3NTEzVUtVOFpUN0FBMEU5JndpZGdlE5hbWU9c3BfYXRmJmFjdGlvbj1jbGlja1JlZGIyZW50JmRvTm90TG9nQ2xpY2s9dHJlZQ==](https://www.amazon.com/Akro-Mils-12-Gallon-Plastic-Storage-Attached/dp/B00006IARN/ref=sr_1_1_sspa?dchild=1&keywords=Storage+Bin+with+Attached+Lid&qid=1619023536&sr=8-1-spons&psc=1&spLa=ZW5jcnlwdGVkUXVhbGlmaWVyPUFRM09JN1VLVkhGMewmZW5jcnlwdGVkSWQ9QTazNjk5NTQzNko4TkVWRkJKSEk5JmVuY3J5cHRlZEFkSWQ9QTaxNTA3NTEzVUtVOFpUN0FBMEU5JndpZGdlE5hbWU9c3BfYXRmJmFjdGlvbj1jbGlja1JlZGIyZW50JmRvTm90TG9nQ2xpY2s9dHJlZQ==) (Year: 2008).\*

\* cited by examiner

Fig. 1

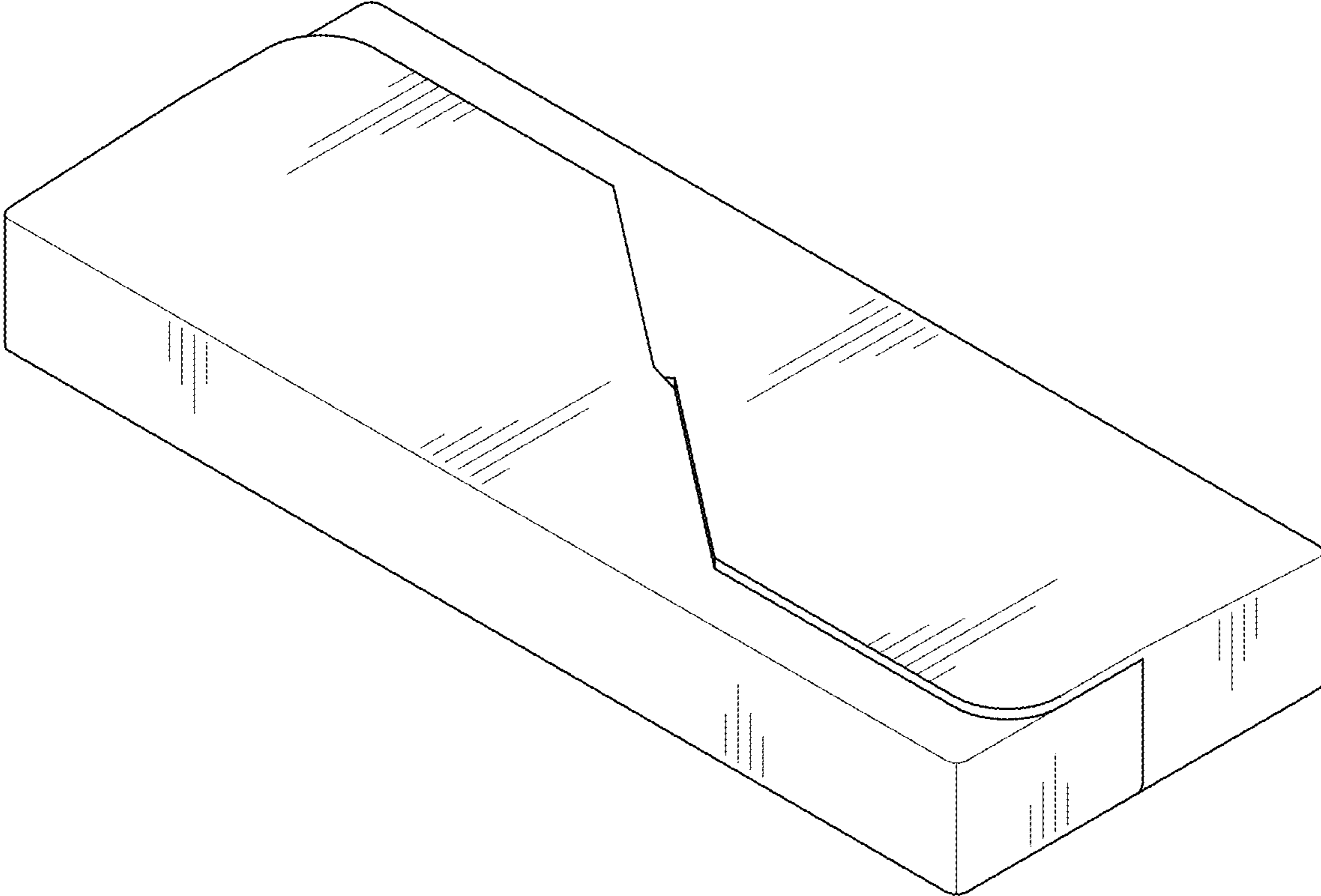


Fig. 2

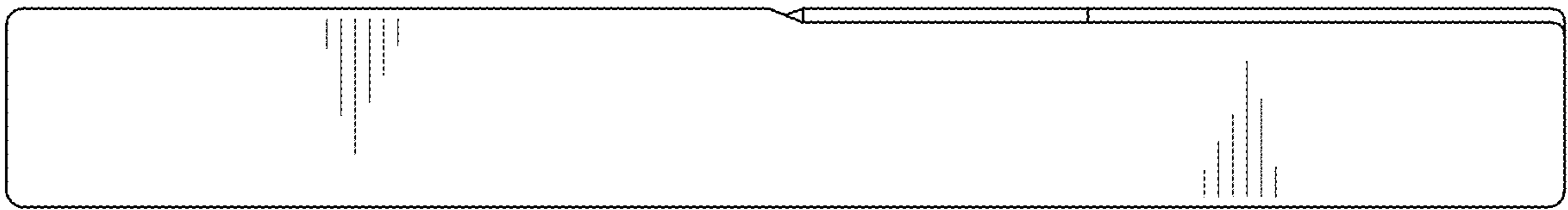


Fig. 3

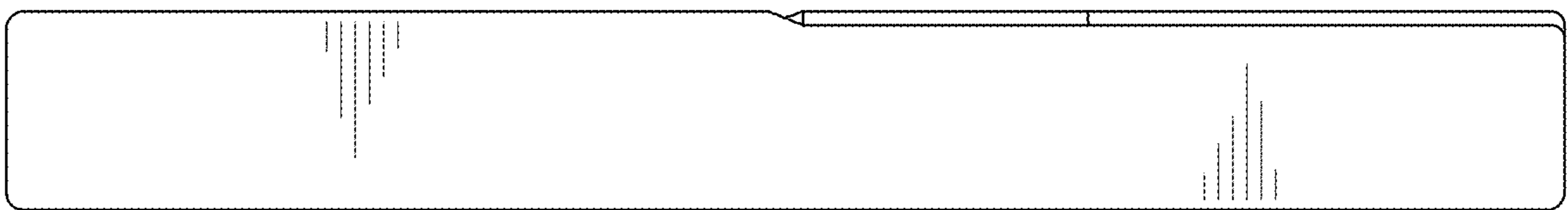


Fig. 4

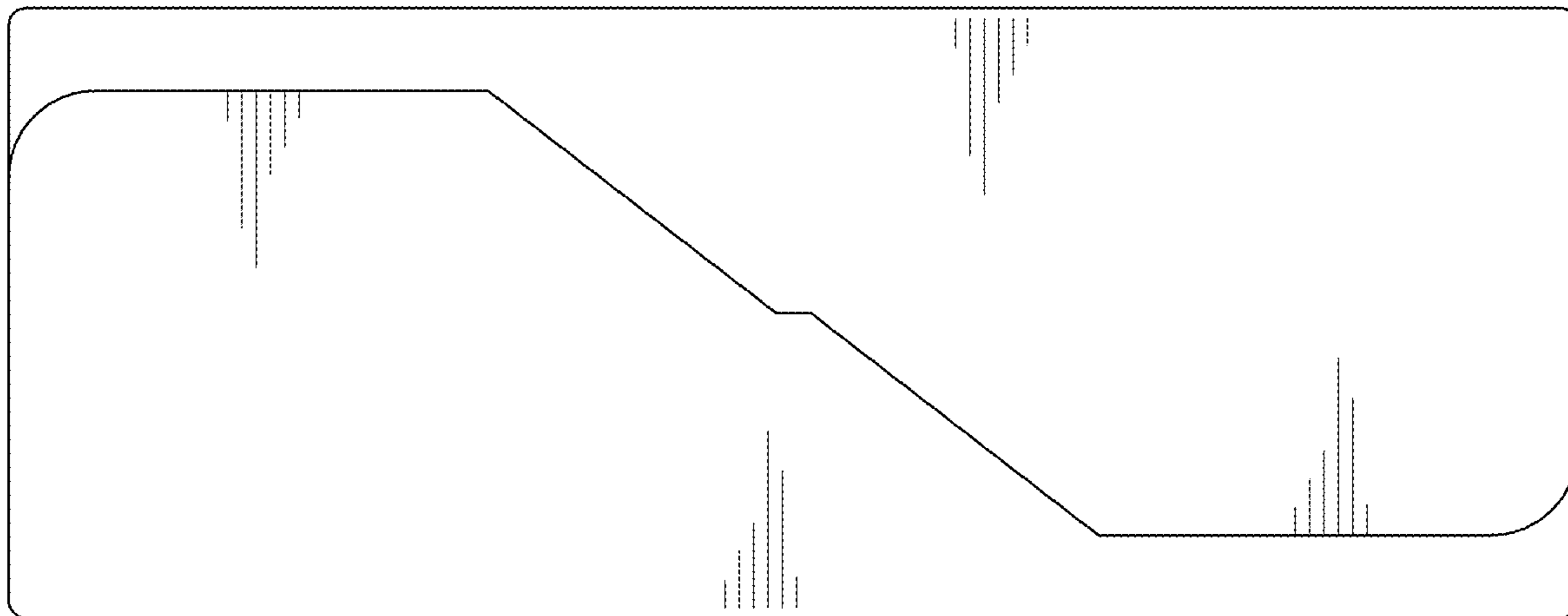


Fig. 5

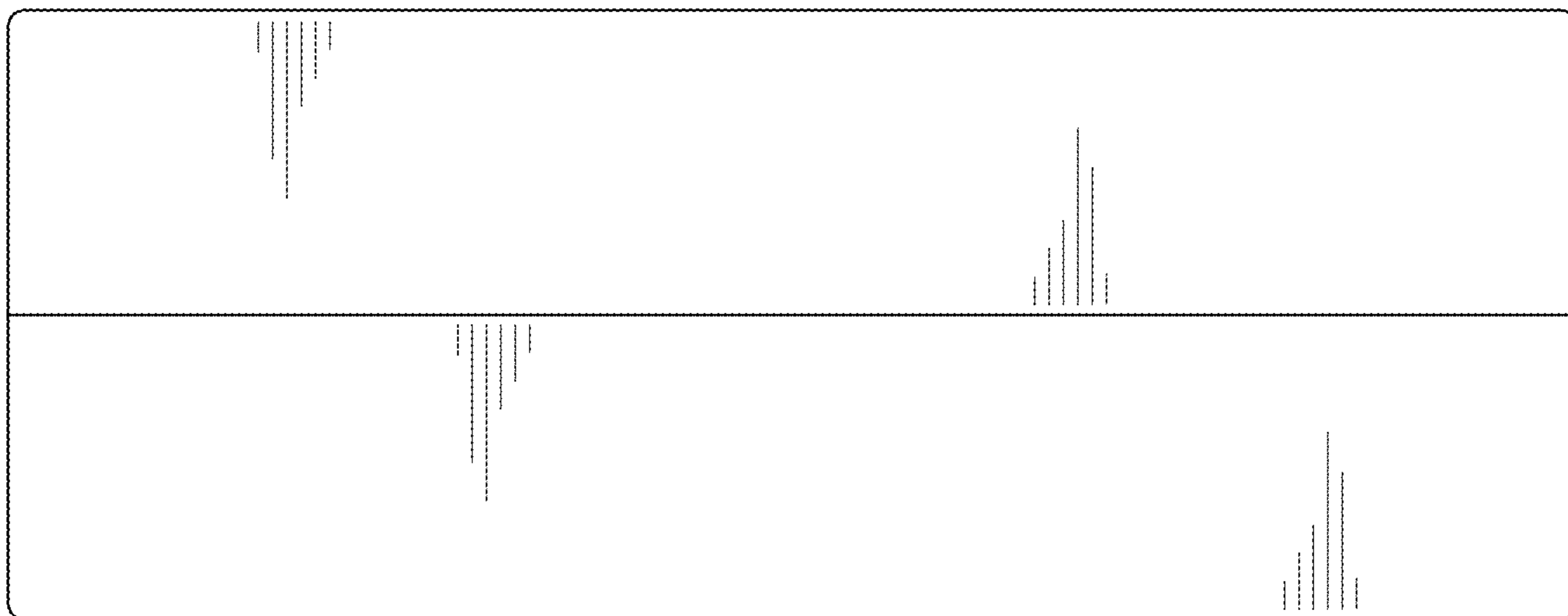


Fig. 6

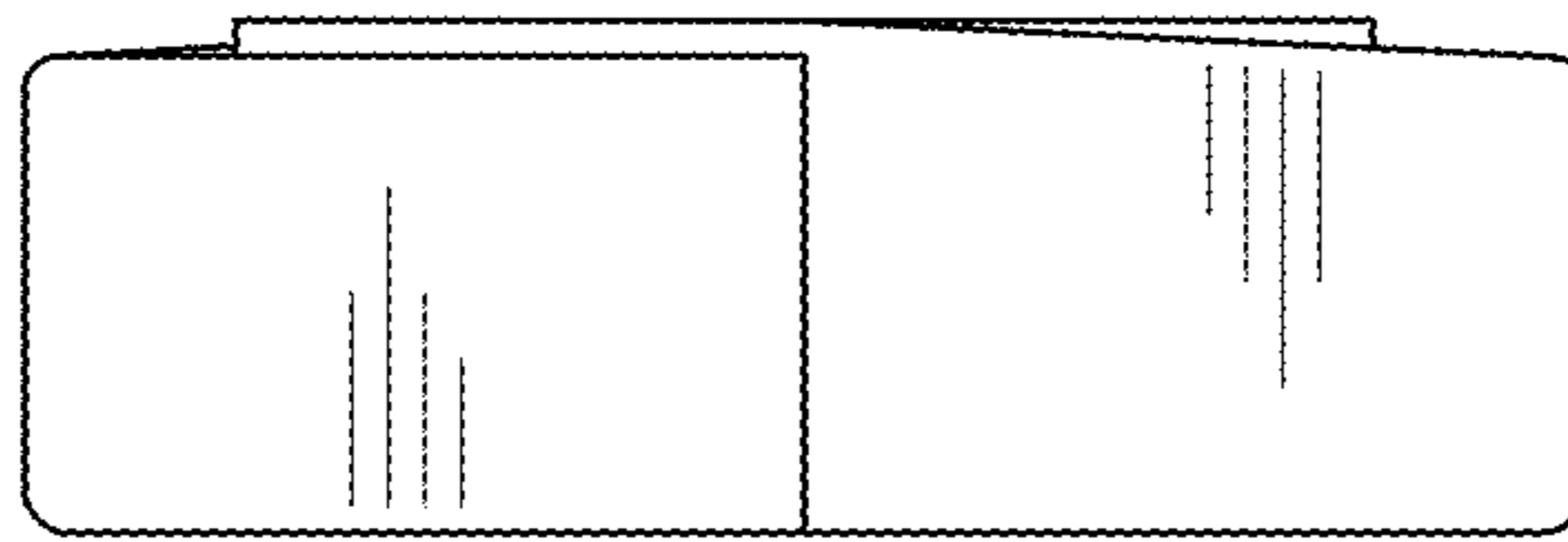


Fig. 7

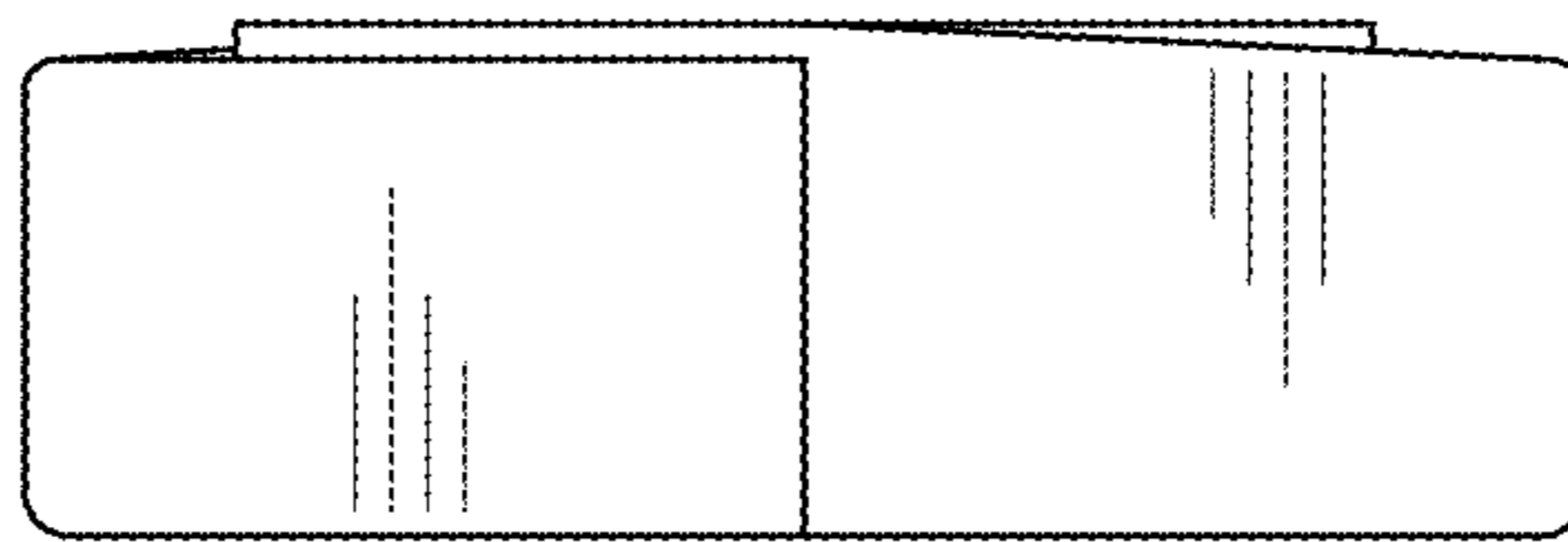


Fig. 8

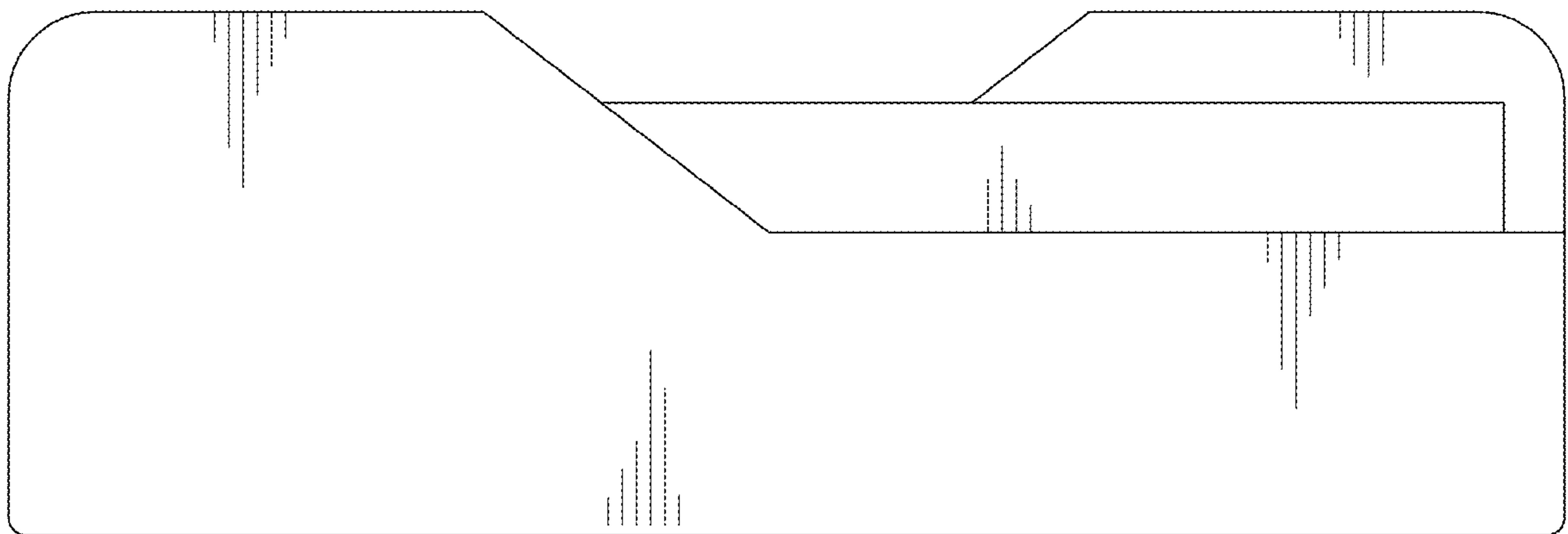




Fig. 9

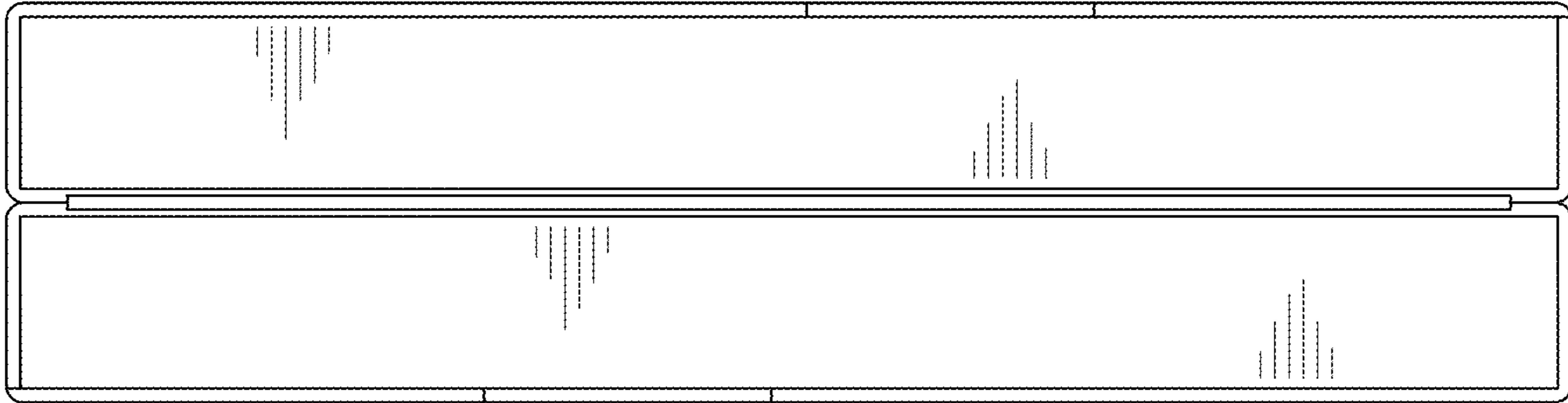


Fig. 10

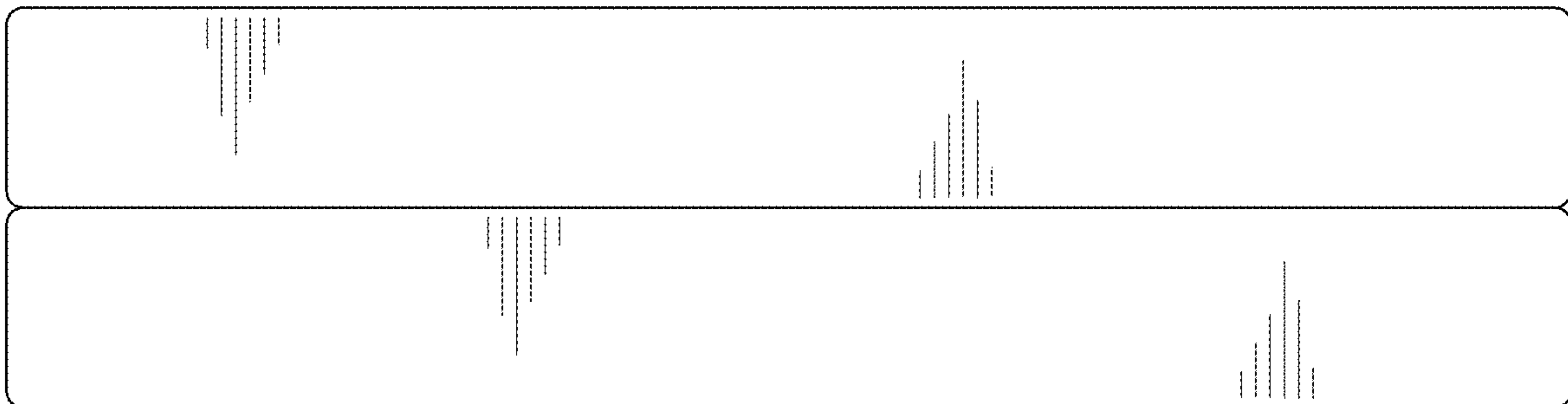


Fig. 11

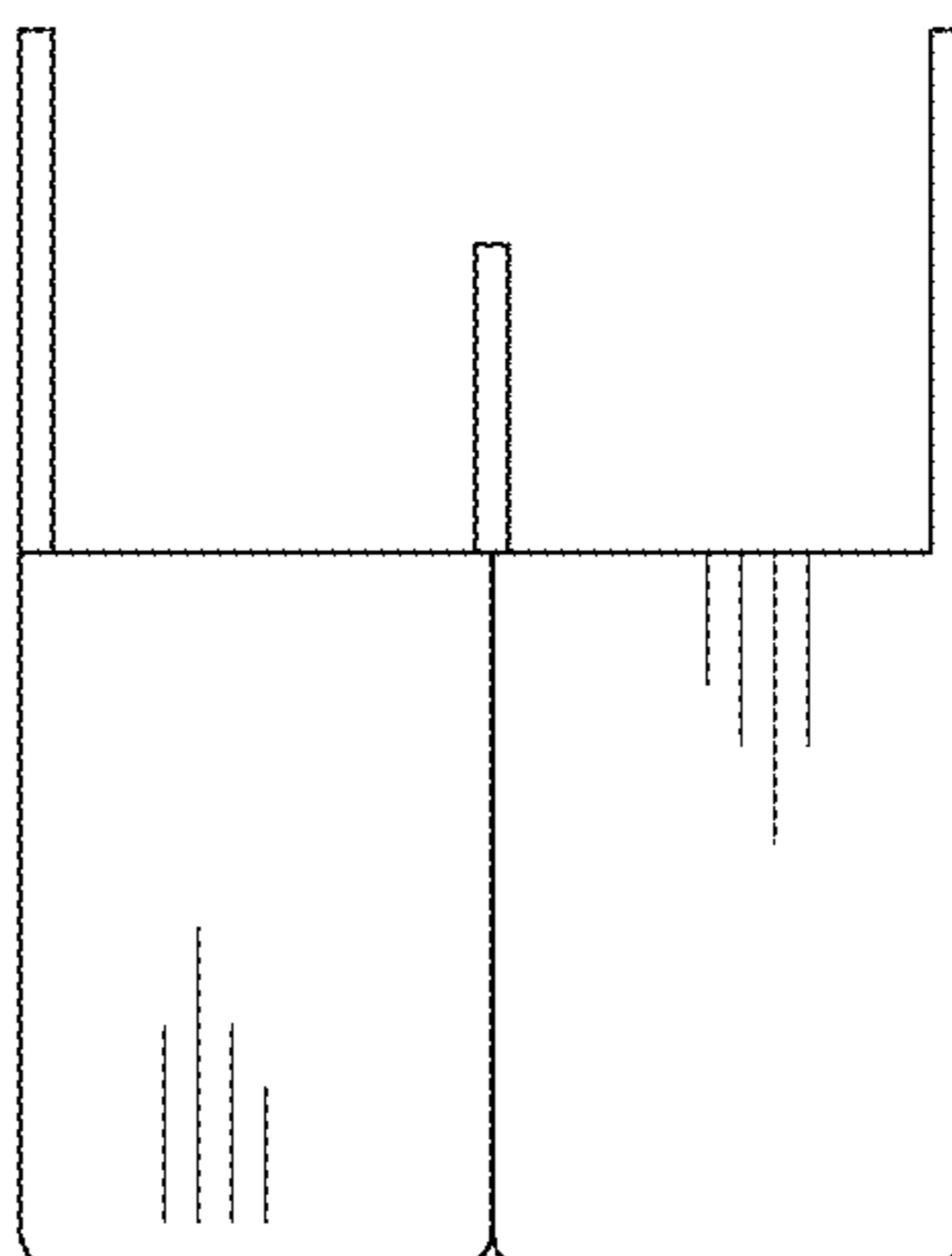




Fig. 12

